

US00D548907S

(12) **United States Design Patent**  
**Killen**

(10) **Patent No.:** **US D548,907 S**

(45) **Date of Patent:** **\*\* Aug. 14, 2007**

(54) **CLEANING DEVICE**

(76) **Inventor:** **Raymond H. Killen**, 209 Triple Creek Rd., Champion, PA (US) 15622

(\*\*) **Term:** **14 Years**

(21) **Appl. No.:** **29/237,052**

(22) **Filed:** **Aug. 25, 2005**

(51) **LOC (8) Cl.** ..... **04-01**

(52) **U.S. Cl.** ..... **D32/41**

(58) **Field of Classification Search** ..... D32/40, D32/41, 46; D8/14, 16; D7/688; 15/235.3, 15/236.01, 236.02, 245, 245.1; 30/169, 171; 37/265, 266, 285; D25/119, 136  
See application file for complete search history.

(56) **References Cited**

**U.S. PATENT DOCUMENTS**

D27,757	S	*	10/1897	Mathisen	.....	D25/119
592,076	A	*	10/1897	Brown	.....	15/245
2,410,420	A	*	11/1946	Bennett	.....	15/236.01
D173,462	S	*	11/1954	Schmoller	.....	D32/41
3,676,888	A		7/1972	Akers		
3,766,591	A		10/1973	Soito		
4,097,951	A		7/1978	Hurt		
D357,563	S	*	4/1995	Vosbikian	.....	D32/41
D362,934	S	*	10/1995	Hansen	.....	D32/41
D369,886	S	*	5/1996	McCollum	.....	D32/46
5,953,785	A		9/1999	Malmberg		
6,126,756	A		10/2000	Varner		

**OTHER PUBLICATIONS**

Flex Moulding, Inc., Moulding Profile Catalogue [online], © 1999-2003, Glass Bead—Item No. 361, [retrieved on Oct. 2, 2006] Retrieved from the Internet: <URL: http://www.flexiblemoulding.com>.\*

\* cited by examiner

*Primary Examiner*—Robin Webster

*Assistant Examiner*—Lavone D. Tabor

(74) *Attorney, Agent, or Firm*—The Webb Law Firm

(57) **CLAIM**

The ornamental design for a cleaning device, as shown and described.

**DESCRIPTION**

FIG. 1 is a top perspective view of a cleaning device according to the present invention;

FIG. 2 is a bottom perspective view of the cleaning device of FIG. 1;

FIG. 3 is a top view of the cleaning device of FIG. 1;

FIG. 4 is a bottom view of the cleaning device of FIG. 1;

FIG. 5 is a front view of the cleaning device of FIG. 1;

FIG. 6 is a rear view of the cleaning device of FIG. 1;

FIG. 7 is a first edge view of the cleaning device of FIG. 1; and,

FIG. 8 is a second edge view of the cleaning device of FIG. 1.

**1 Claim, 2 Drawing Sheets**

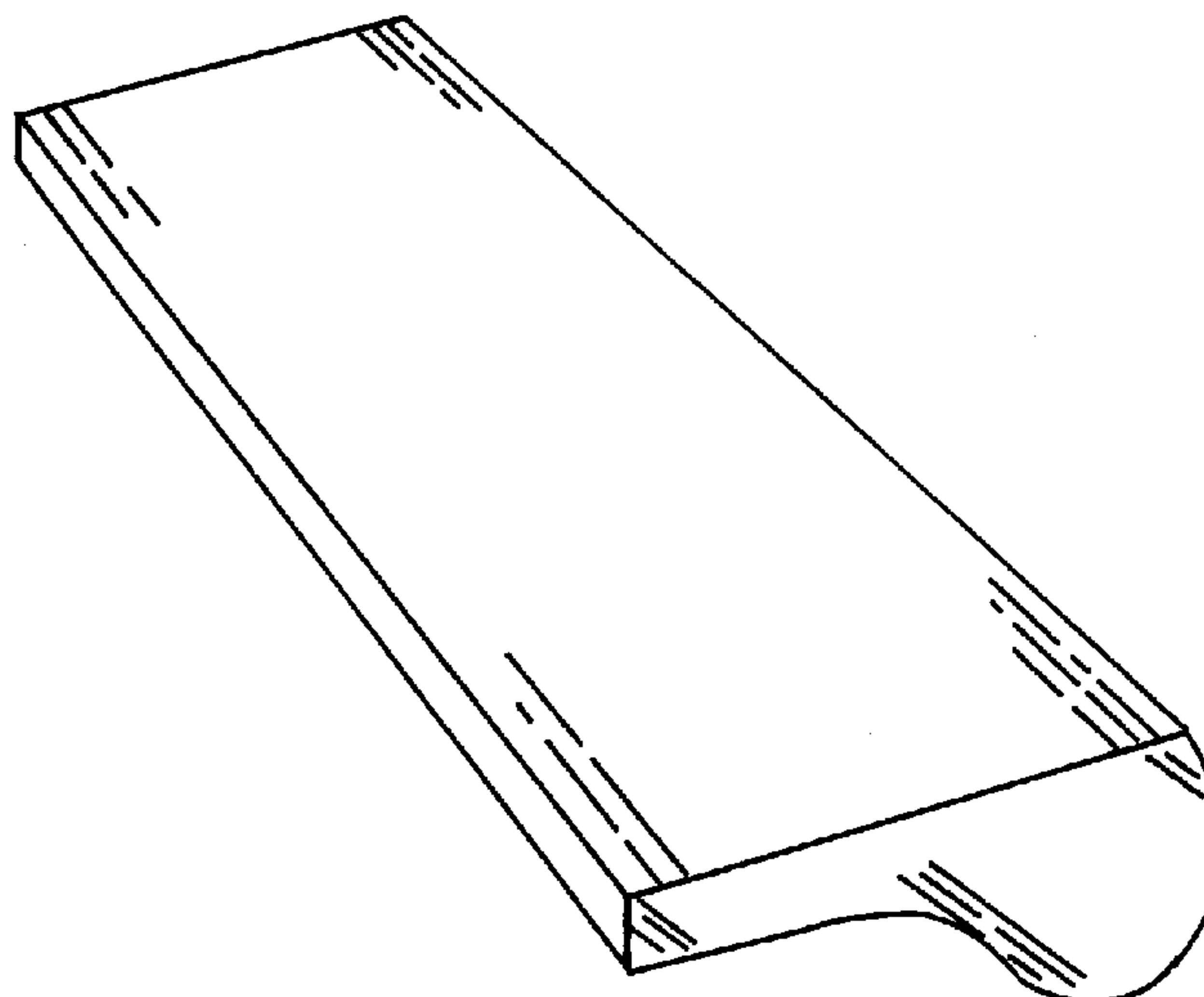
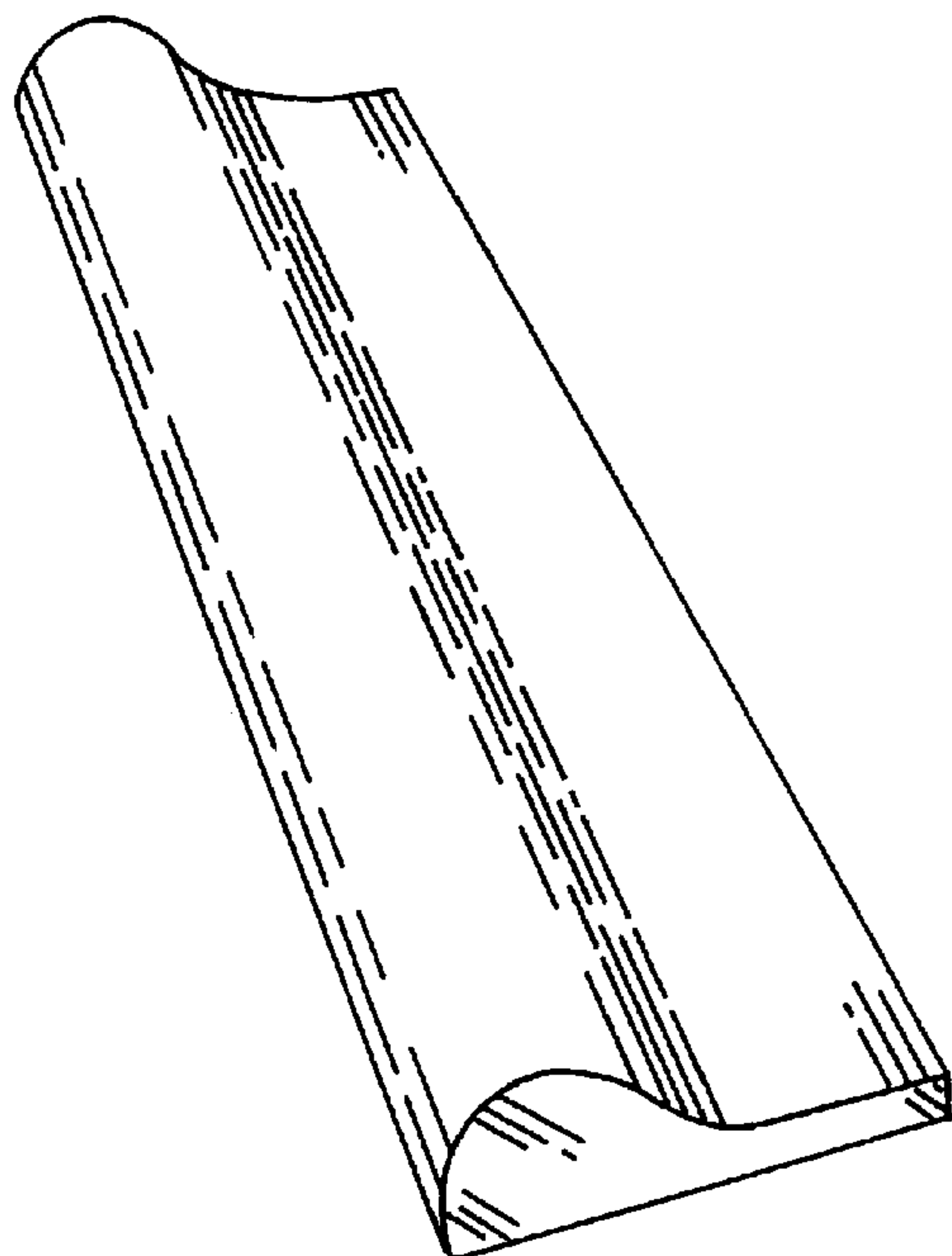


FIG. 1

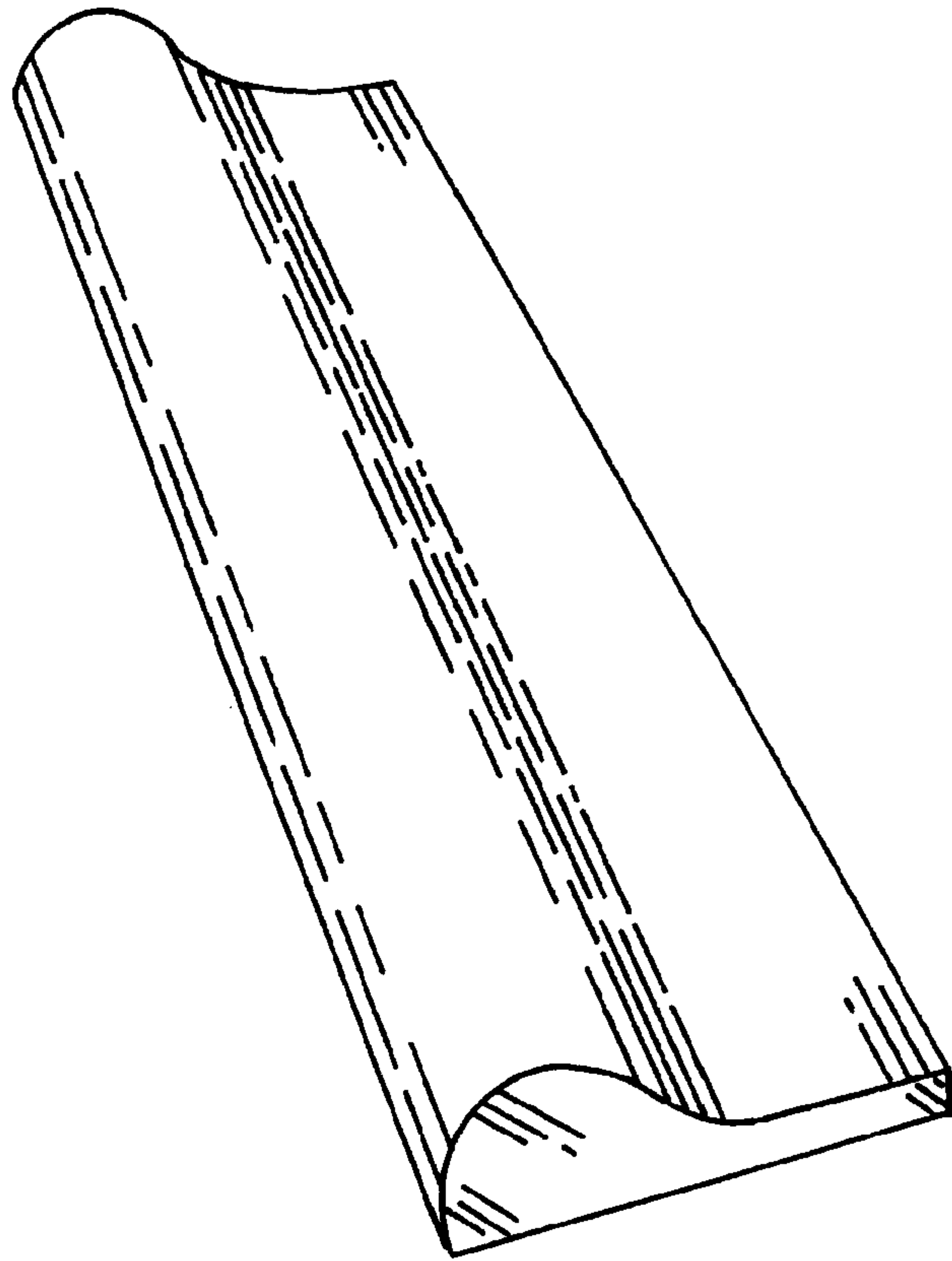
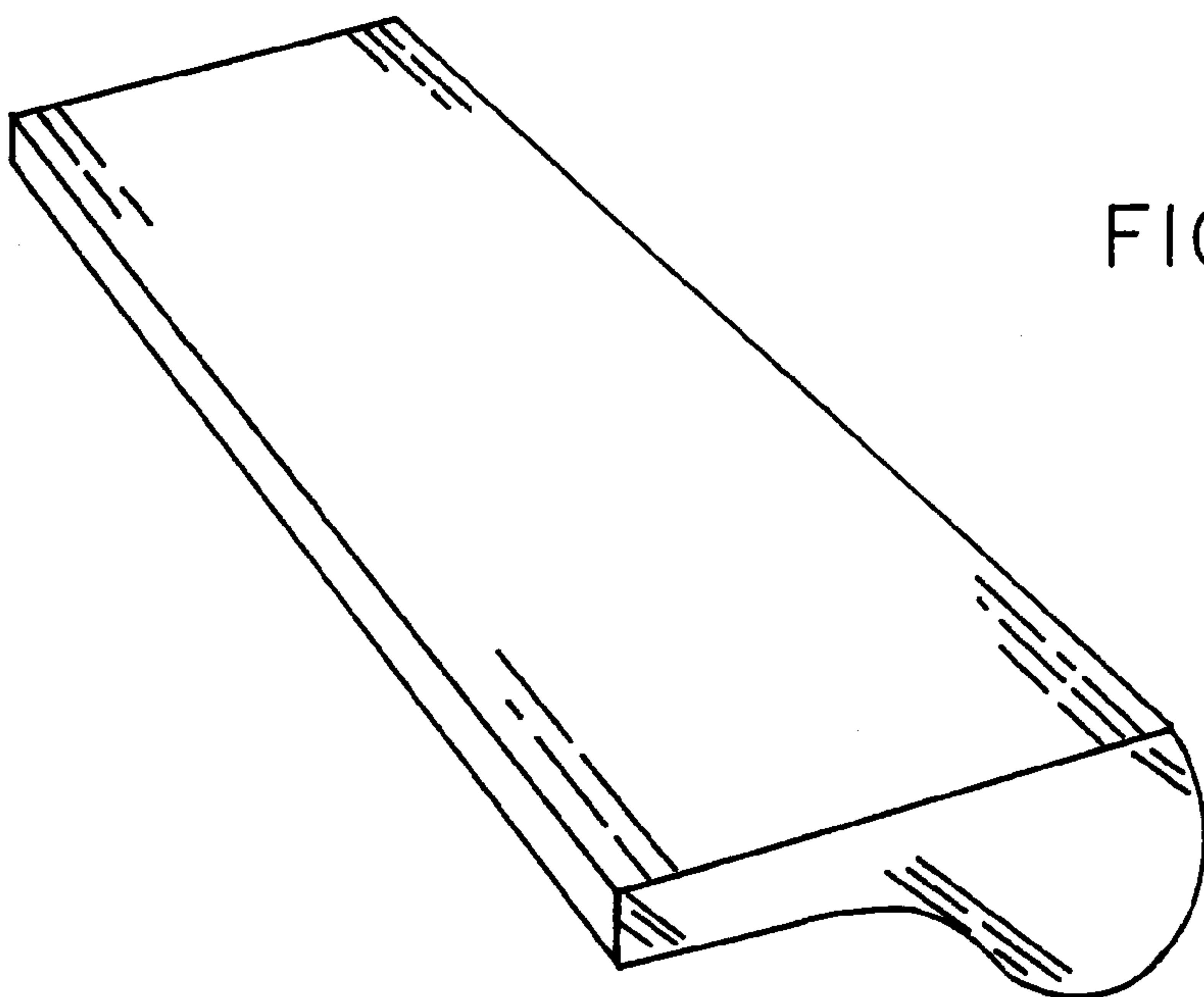


FIG. 2



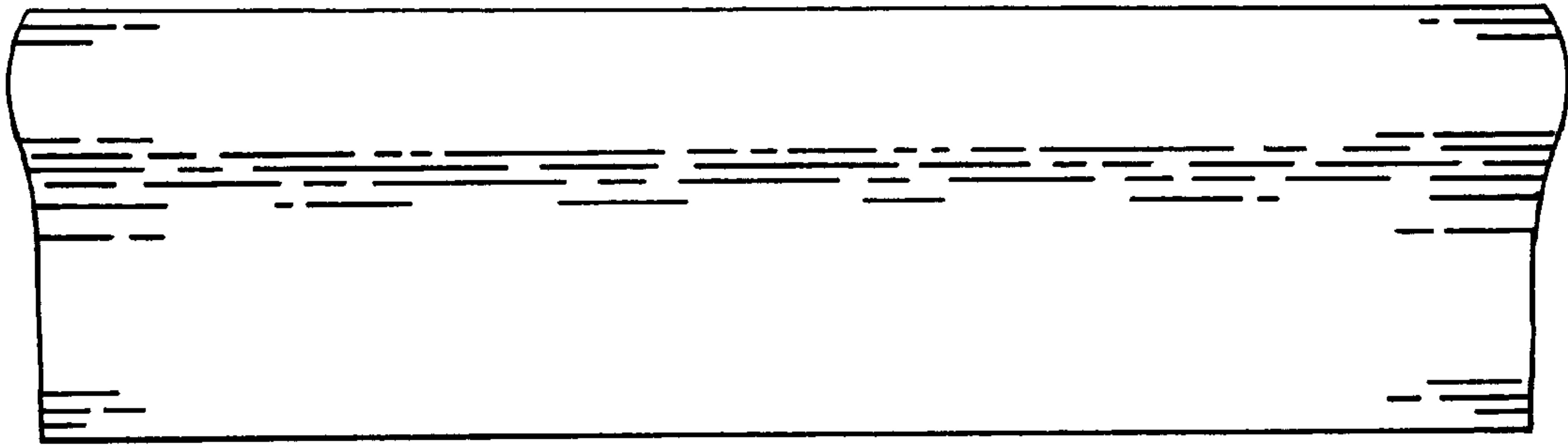


FIG. 3

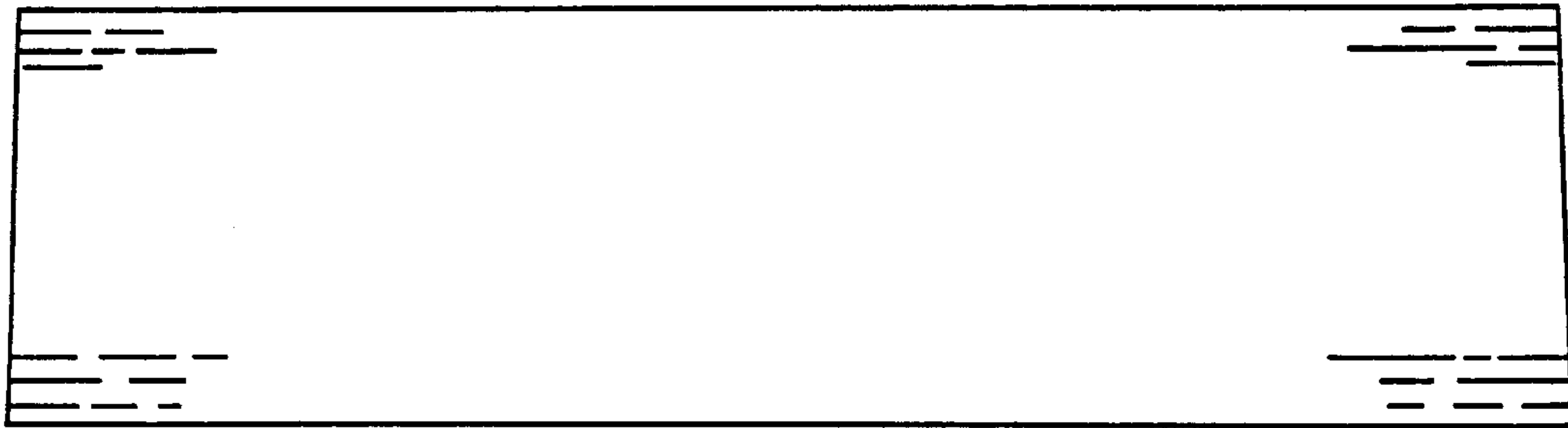


FIG. 4

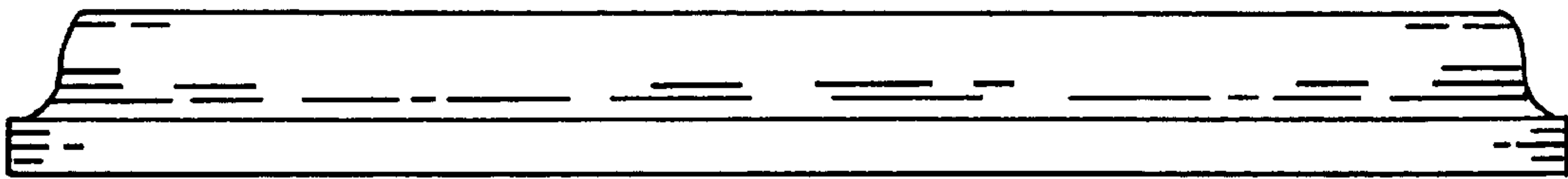


FIG. 5

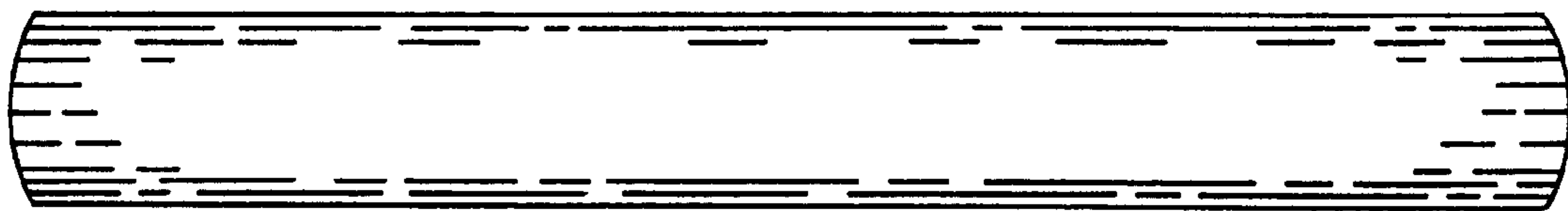


FIG. 6

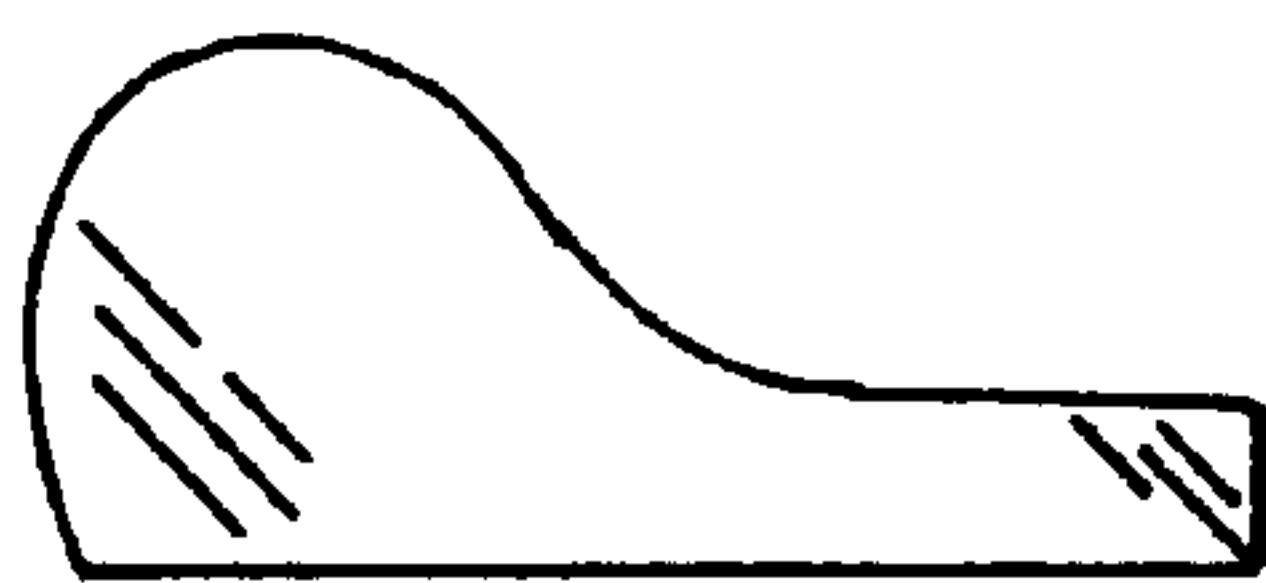


FIG. 7



FIG. 8