



US00D548901S

(12) **United States Design Patent**
Hong

(10) **Patent No.:** **US D548,901 S**

(45) **Date of Patent:** **** Aug. 14, 2007**

(54) **CORDLESS WAXER WITH AUTO WAX SUPPLY SYSTEM**

(76) Inventor: **Liang-ming Hong**, 138 Huang Yang Shan Rd., Wenling, Zhejiang (CN) 317500

(**) Term: **14 Years**

(21) Appl. No.: **29/231,286**

(22) Filed: **Jun. 3, 2005**

(51) **LOC (8) Cl.** **15-05**

(52) **U.S. Cl.** **D32/19**

(58) **Field of Classification Search** D32/1, D32/15, 16, 17, 19; D8/61, 62, 67, 69; D4/102; 15/22.1, 97.1; 451/344, 451, 456, 353-360
See application file for complete search history.

(56) **References Cited**

U.S. PATENT DOCUMENTS

| | | | | |
|--------------|--------|-----------|-------|--------|
| D273,173 S * | 3/1984 | Poon | | D8/62 |
| D377,892 S * | 2/1997 | Sung | | D8/62 |
| D381,248 S * | 7/1997 | Sung | | D8/62 |
| D392,778 S * | 3/1998 | McCracken | | D32/19 |

| | | | | |
|----------------|--------|-----------|-------|---------|
| D443,397 S * | 6/2001 | Williams | | D32/19 |
| 6,342,002 B1 * | 1/2002 | Wang | | 451/359 |
| D471,329 S * | 3/2003 | Heun | | D32/15 |
| D475,489 S * | 6/2003 | McLelland | | D32/15 |
| D518,696 S * | 4/2006 | Schoen | | D8/62 |

* cited by examiner

Primary Examiner—Louis S. Zarfes

Assistant Examiner—Kathleen Sims

(57) **CLAIM**

The ornamental design for a cordless waxer with auto wax supply system, as shown.

DESCRIPTION

FIG. 1 is a front elevational view of a cordless waxer with auto wax supply system showing my new design.

FIG. 2 is a rear elevational view thereof;

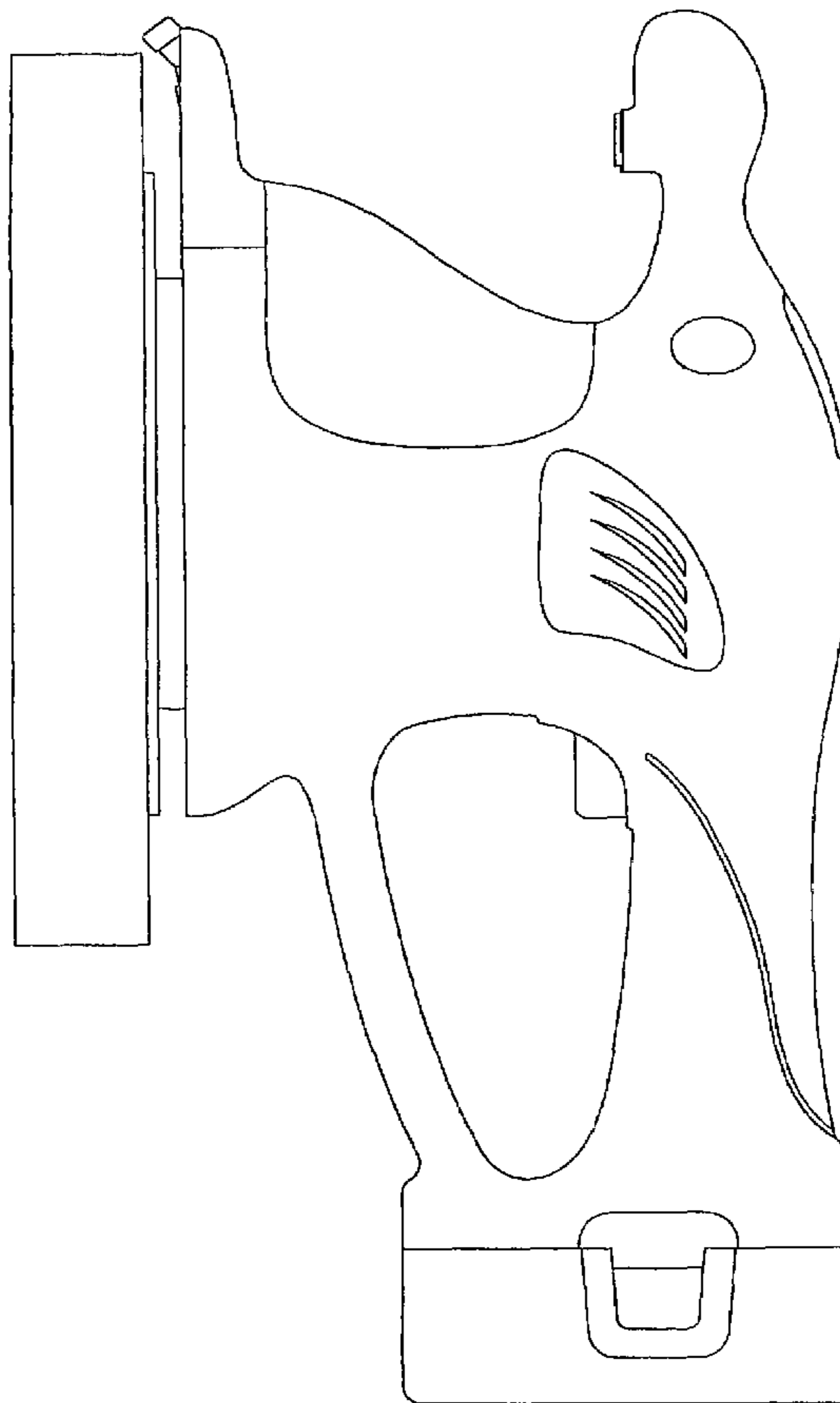
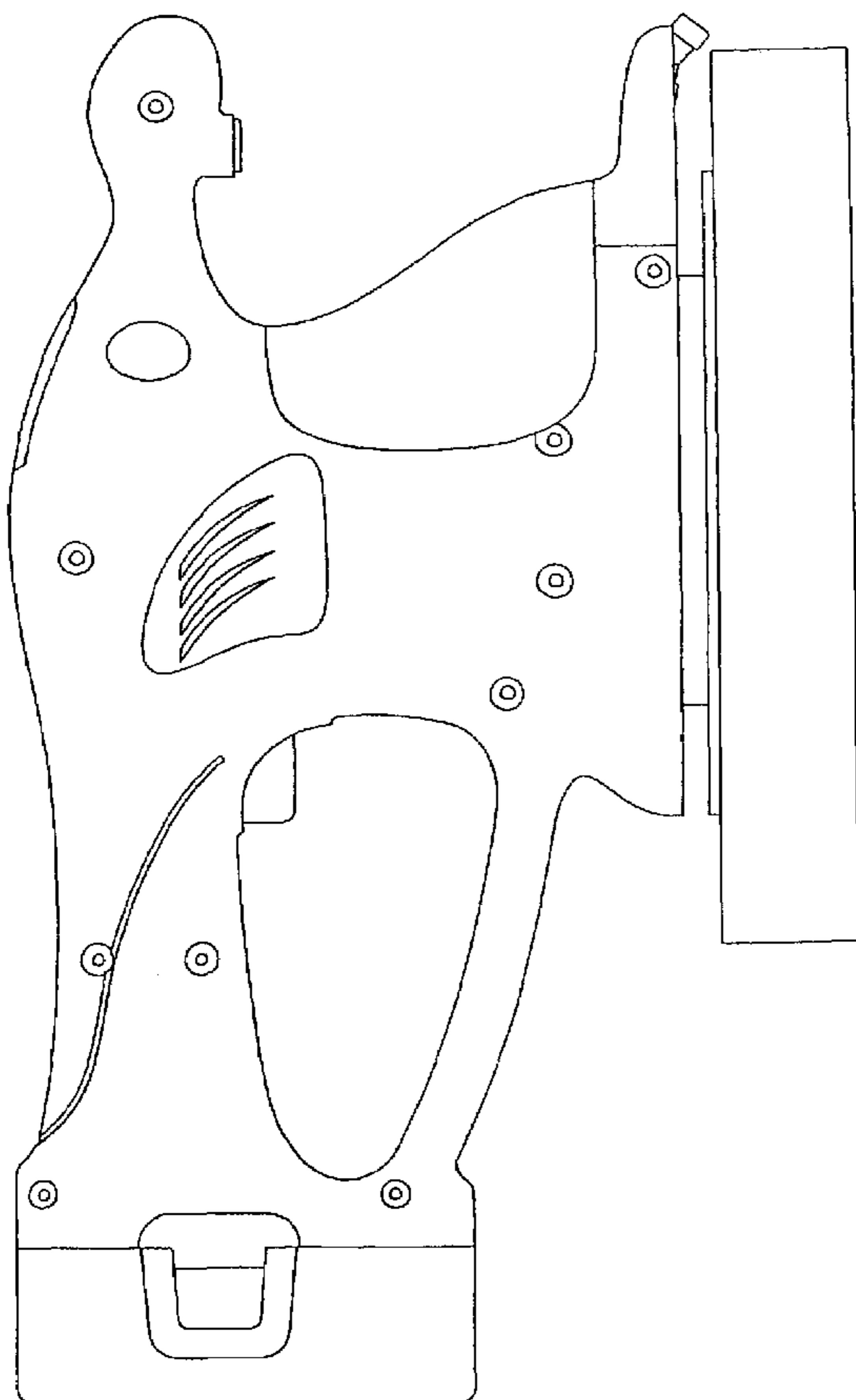
FIG. 3 is a left side elevational view thereof;

FIG. 4 is a right side elevational view thereof;

FIG. 5 is a top plan view thereof; and,

FIG. 6 is a bottom plan view thereof.

1 Claim, 6 Drawing Sheets



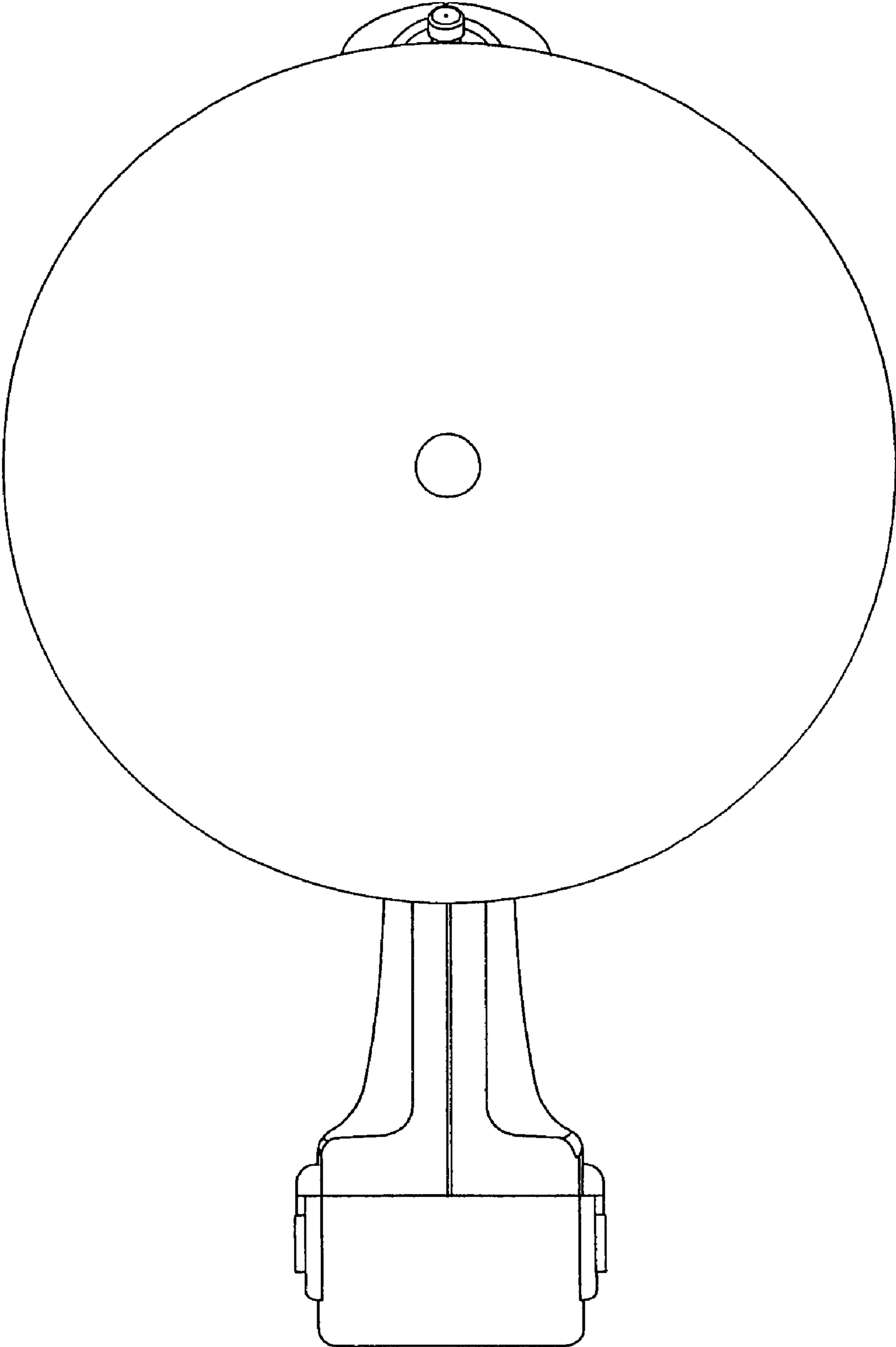


FIG. 1

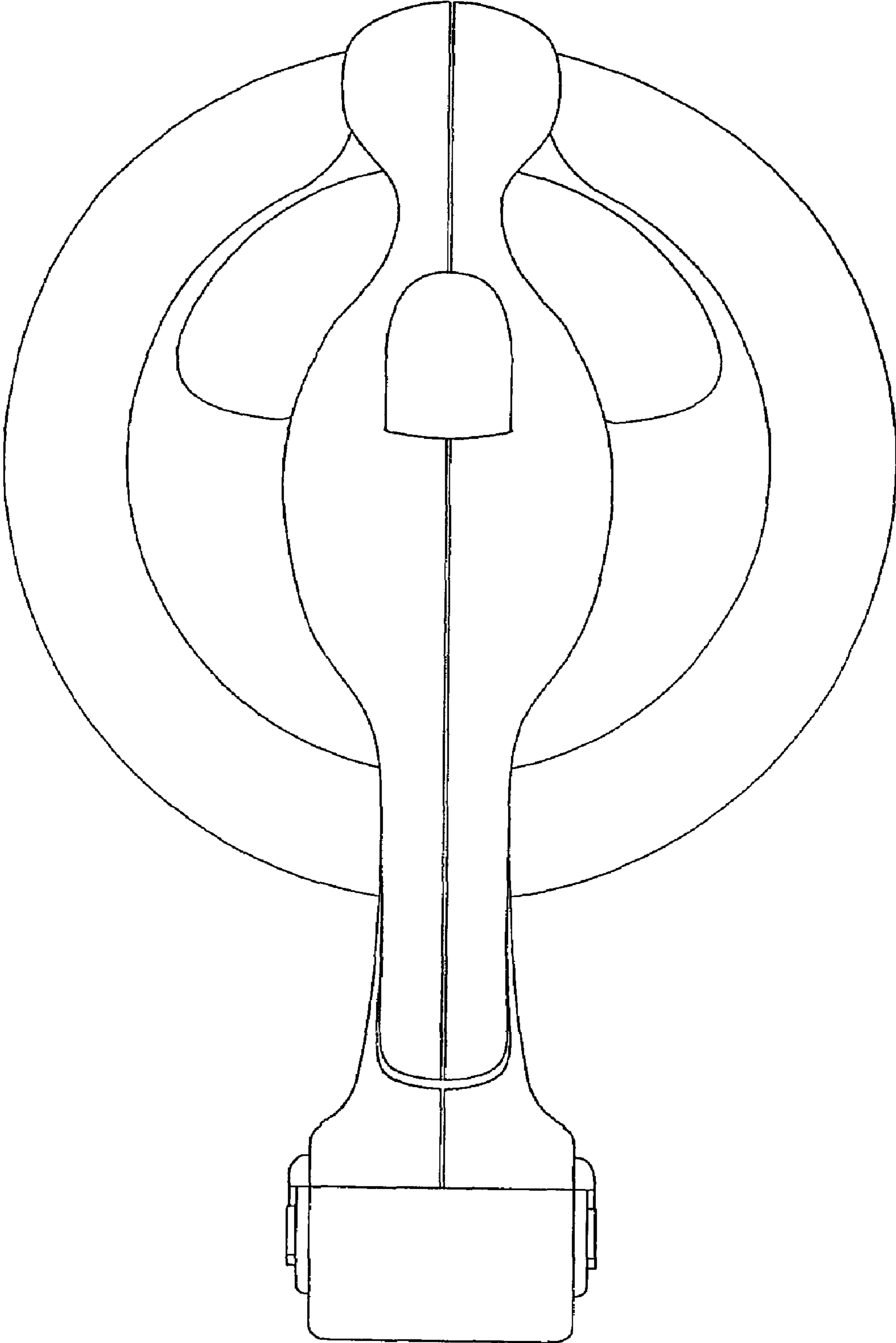


FIG. 2

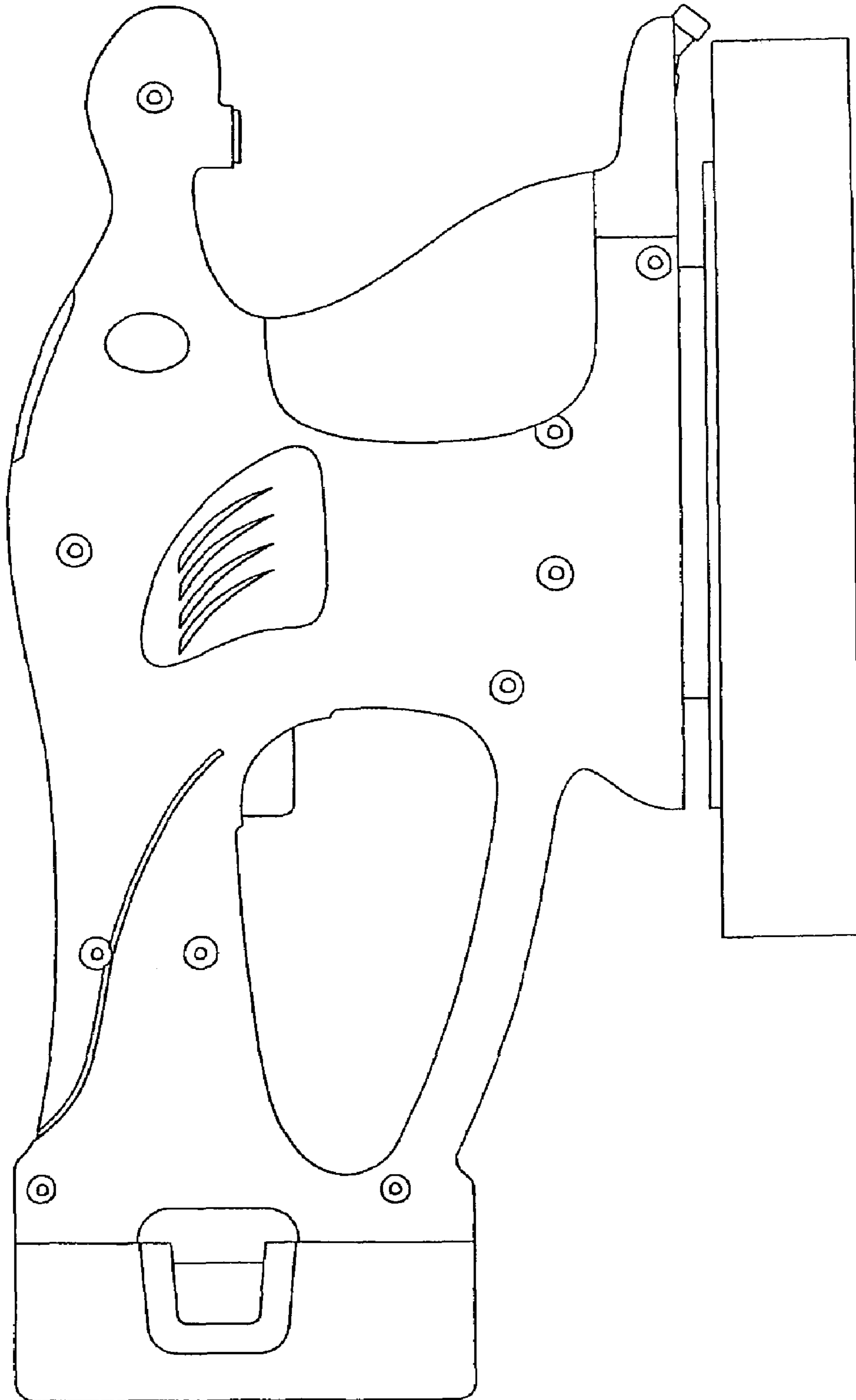


FIG. 3

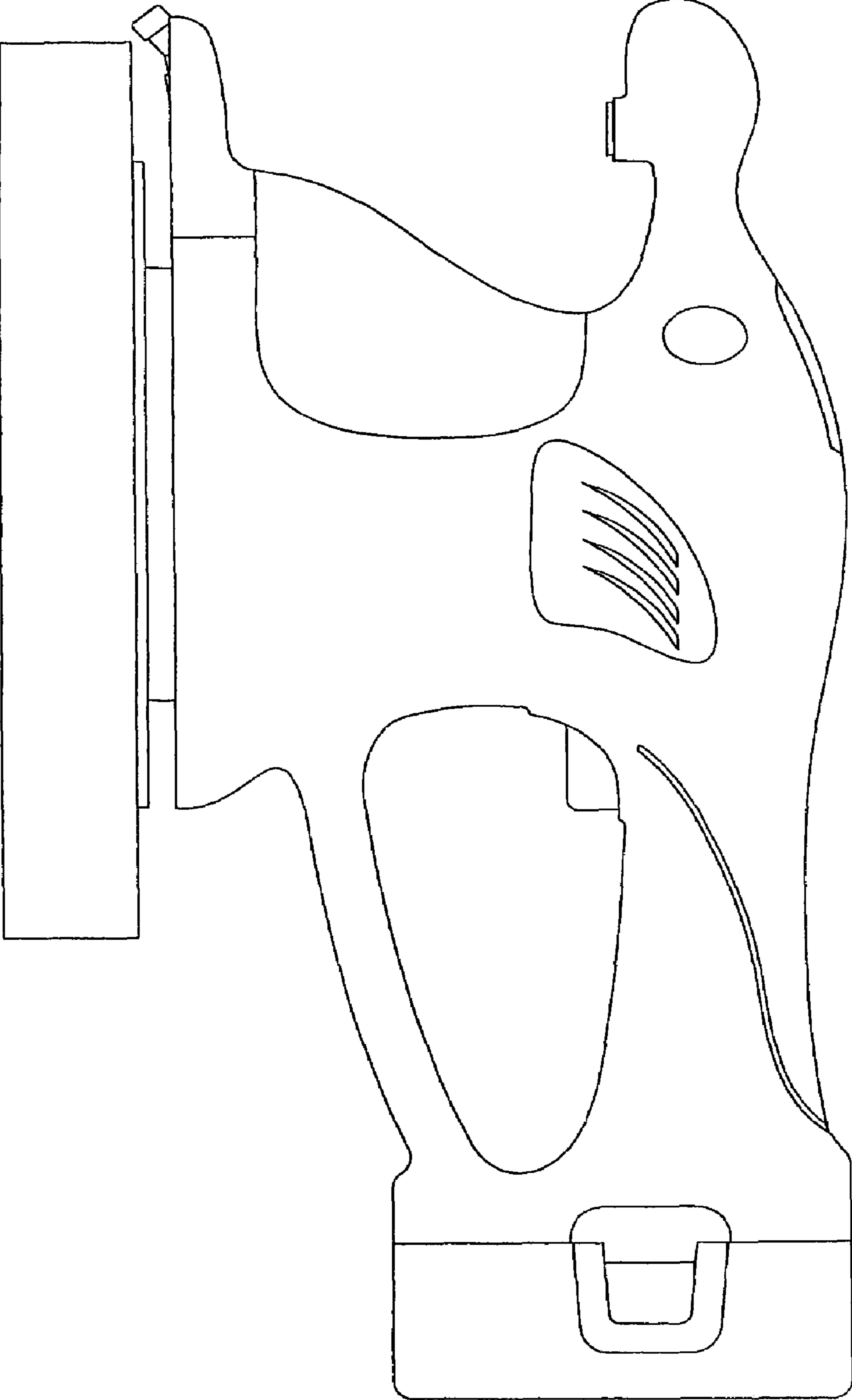


FIG. 4

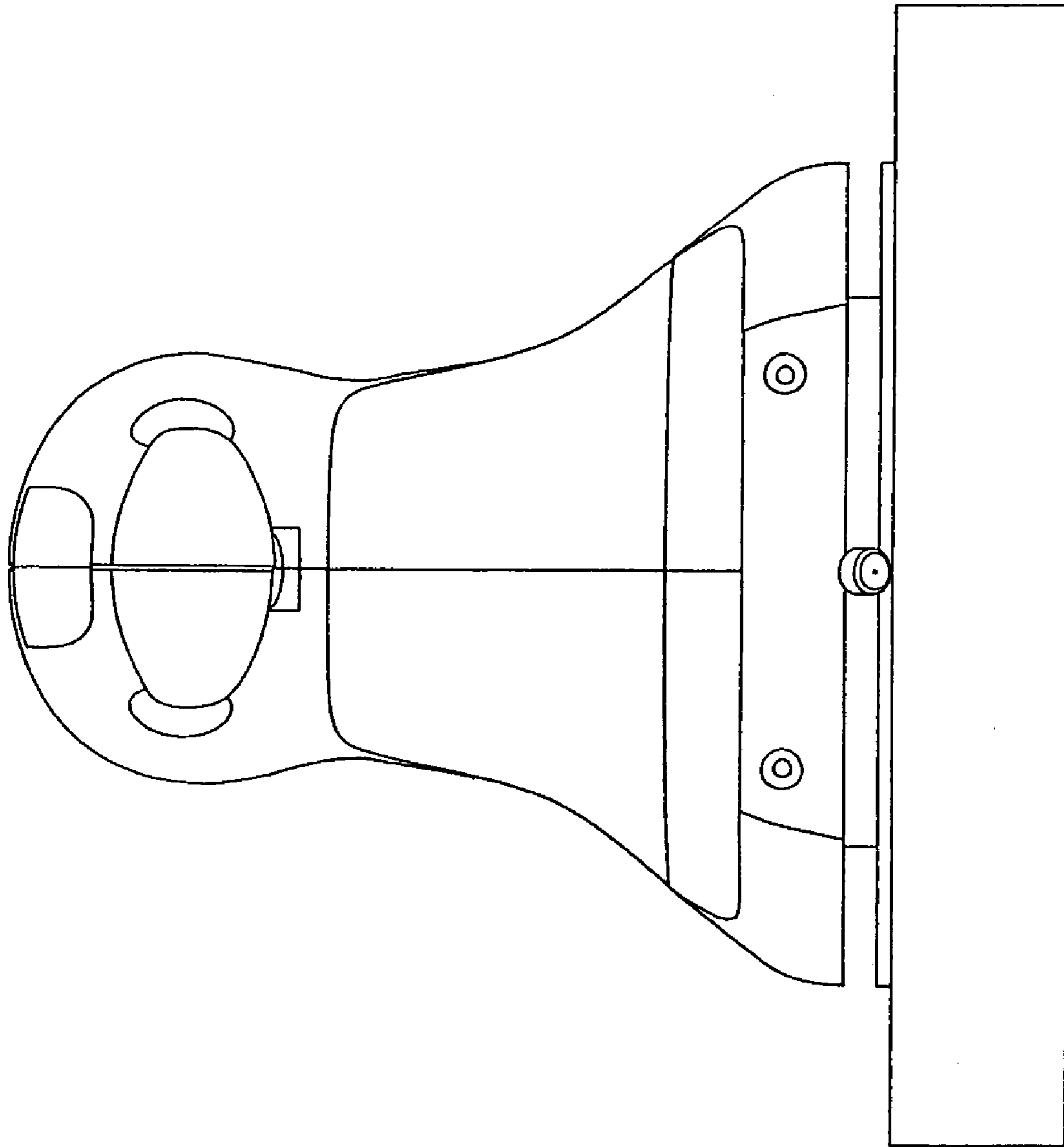


FIG. 5

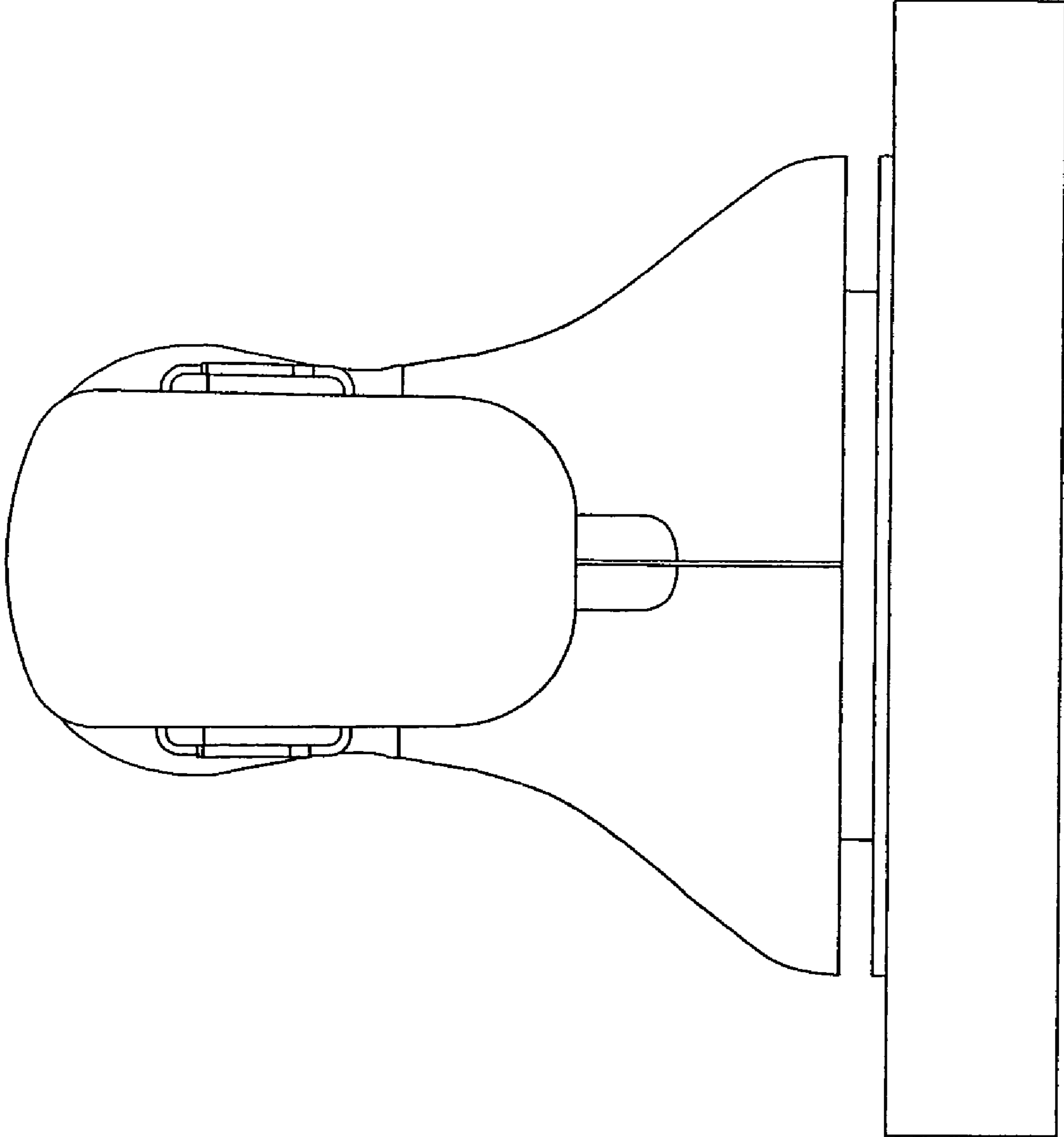


FIG. 6