

US00D548899S

(12) **United States Design Patent**  
**Asplund**

(10) **Patent No.:** **US D548,899 S**

(45) **Date of Patent:** **\*\* Aug. 14, 2007**

(54) **MANIFOLD FOR WASHING GAS TURBINE AIRCRAFT ENGINES**

D394,921 S \* 6/1998 Cherinchak ..... D32/4  
6,079,640 A \* 6/2000 Merritts ..... 239/532  
2006/0243828 A1 \* 11/2006 Angelone ..... 239/569

(75) Inventor: **Peter Asplund**, Hässelby (SE)

\* cited by examiner

(73) Assignee: **Gas Turbine Efficiency AB**, Jarfalla (SE)

*Primary Examiner*—Louis S. Zarfes

*Assistant Examiner*—Kathleen M. Sims

(\*\*) Term: **14 Years**

(74) *Attorney, Agent, or Firm*—Young & Thompson

(21) Appl. No.: **29/232,193**

(57) **CLAIM**

(22) Filed: **Jun. 16, 2005**

The ornamental design for a manifold for washing gas turbine aircraft engines, as shown.

(30) **Foreign Application Priority Data**

**DESCRIPTION**

Jan. 26, 2005 (EM) ..... 000286729-0001

FIG. 1 is a rear and side perspective view of a manifold for washing gas turbine aircraft engines, showing my new design;

(51) **LOC (8) Cl.** ..... **15-05**

(52) **U.S. Cl.** ..... **D32/4**

FIG. 2 is a front elevational view thereof;

(58) **Field of Classification Search** ..... D32/1,  
D32/15, 25, 35; 239/550, 565, 566, 722,  
239/754

FIG. 3 is a side elevational view thereof from the left of FIG. 2;

See application file for complete search history.

FIG. 4 is a side elevational view thereof from the right of FIG. 2;

(56) **References Cited**

**U.S. PATENT DOCUMENTS**

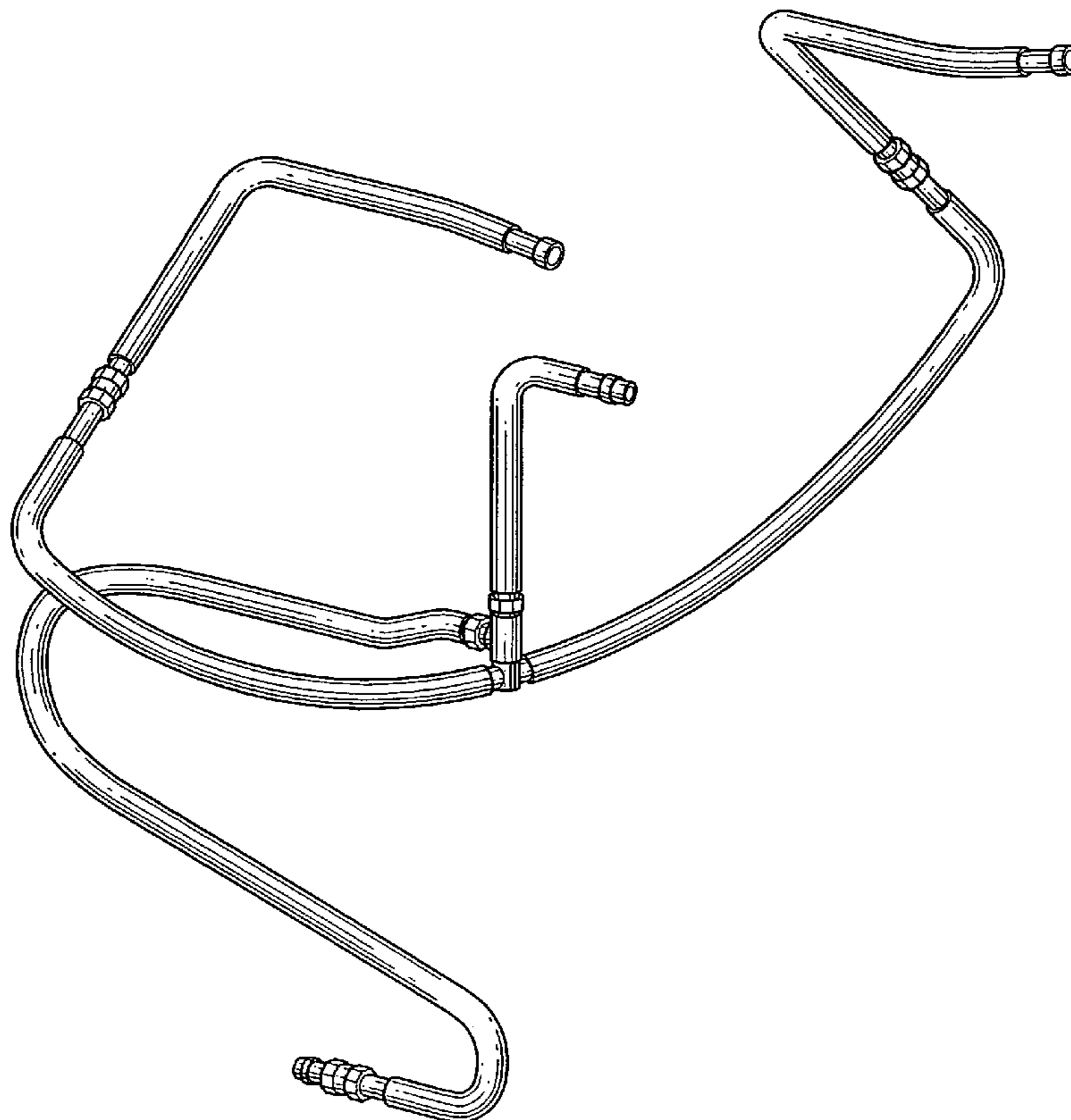
D243,610 S \* 3/1977 Craig ..... D32/15  
D244,532 S \* 5/1977 Poston ..... D32/15  
D321,574 S \* 11/1991 Shevers et al. .... D32/15  
5,289,642 A \* 3/1994 Sloan ..... 34/104

FIG. 5 is a rear elevational view thereof;

FIG. 6 is a top plan view thereof; and,

FIG. 7 is a bottom plan view thereof.

**1 Claim, 7 Drawing Sheets**



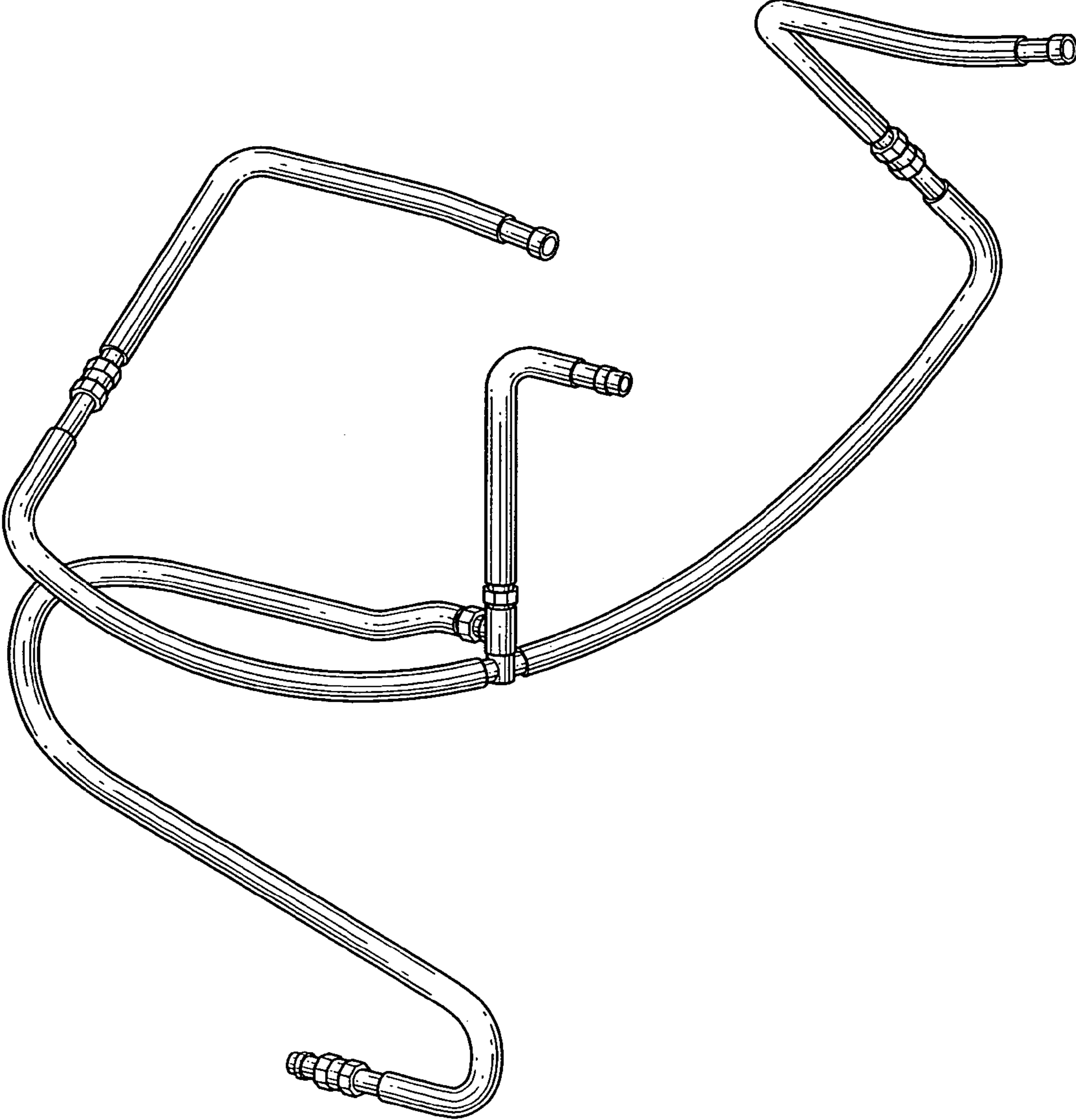


FIG. 1

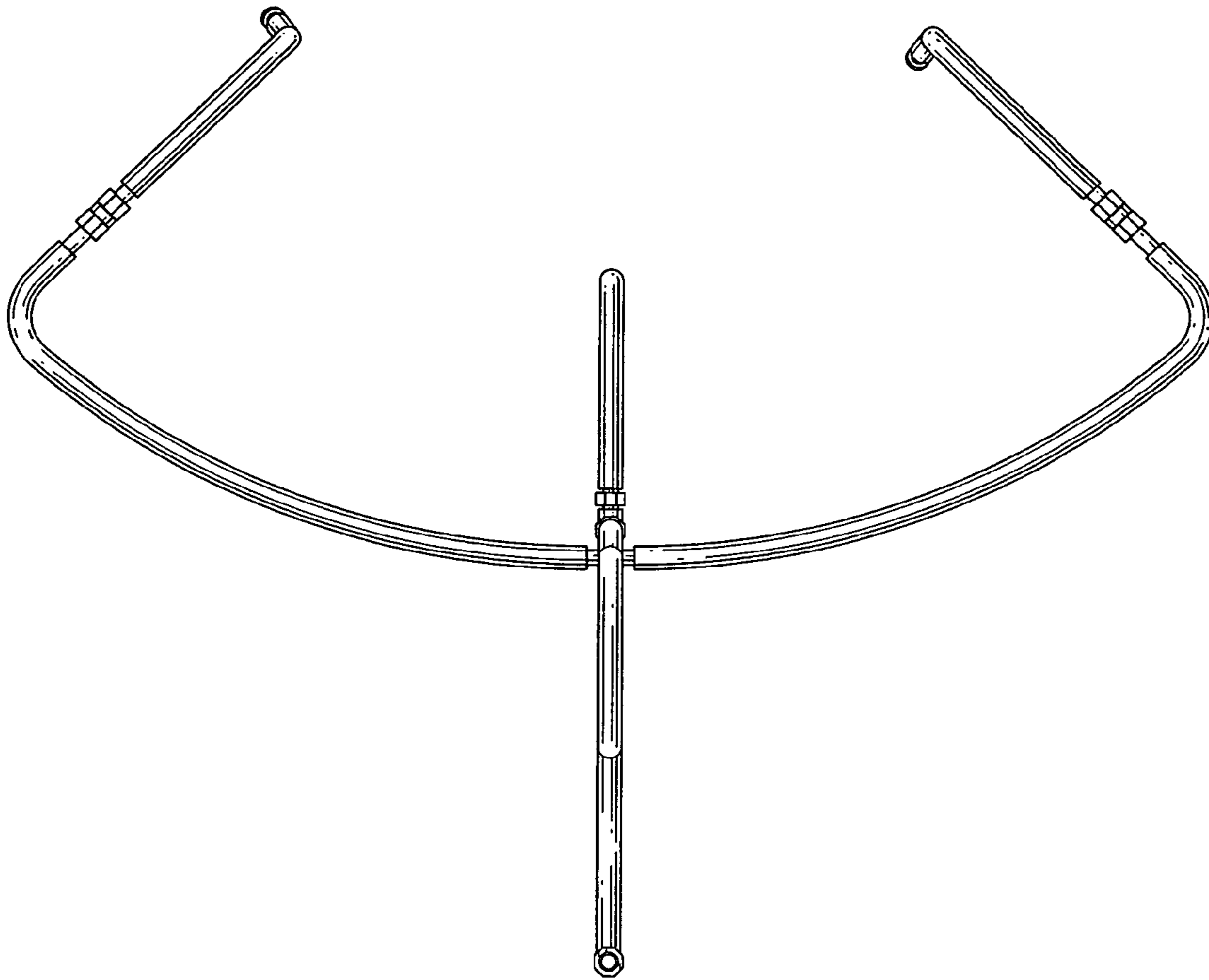


FIG.2

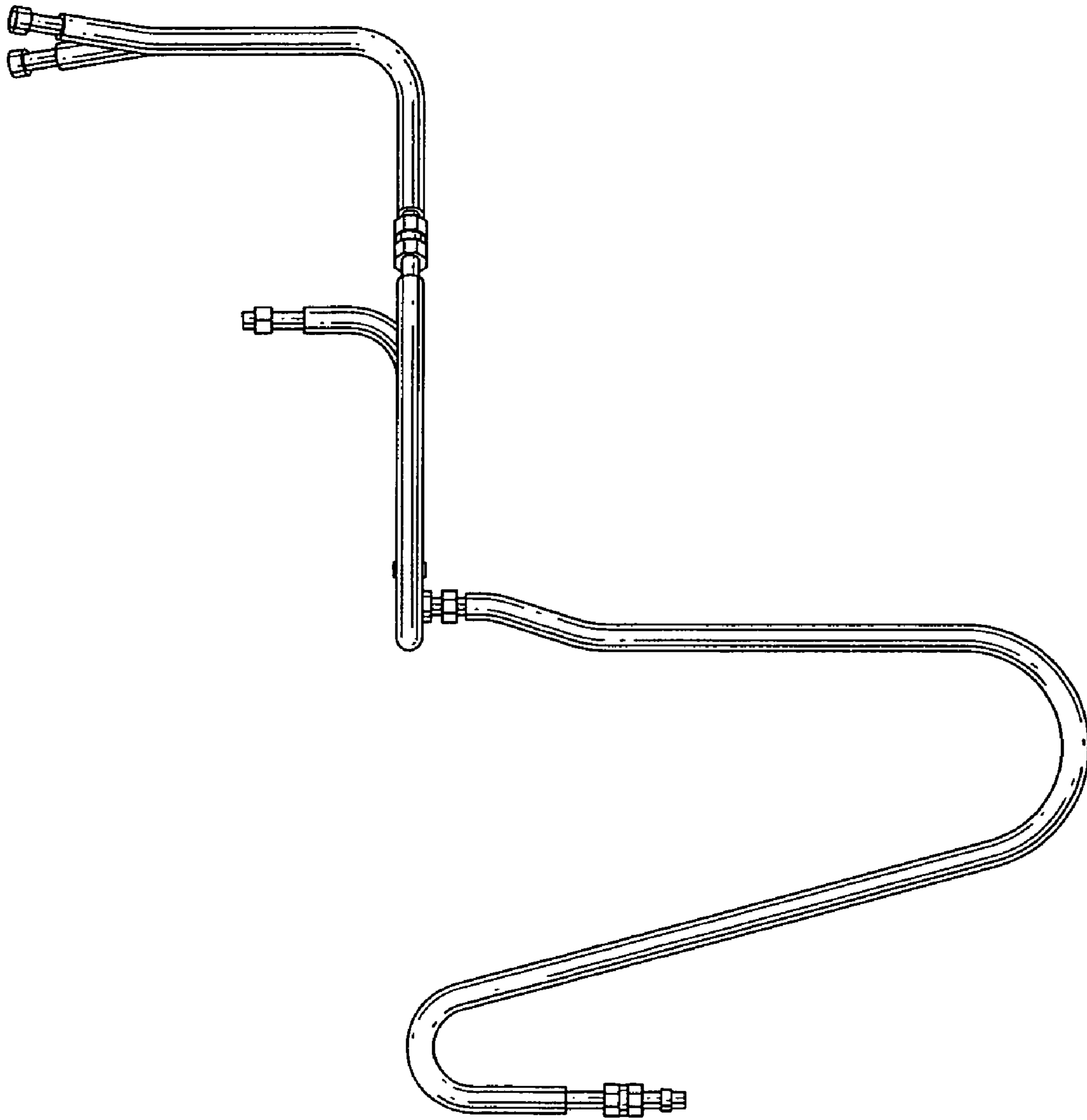


FIG. 3

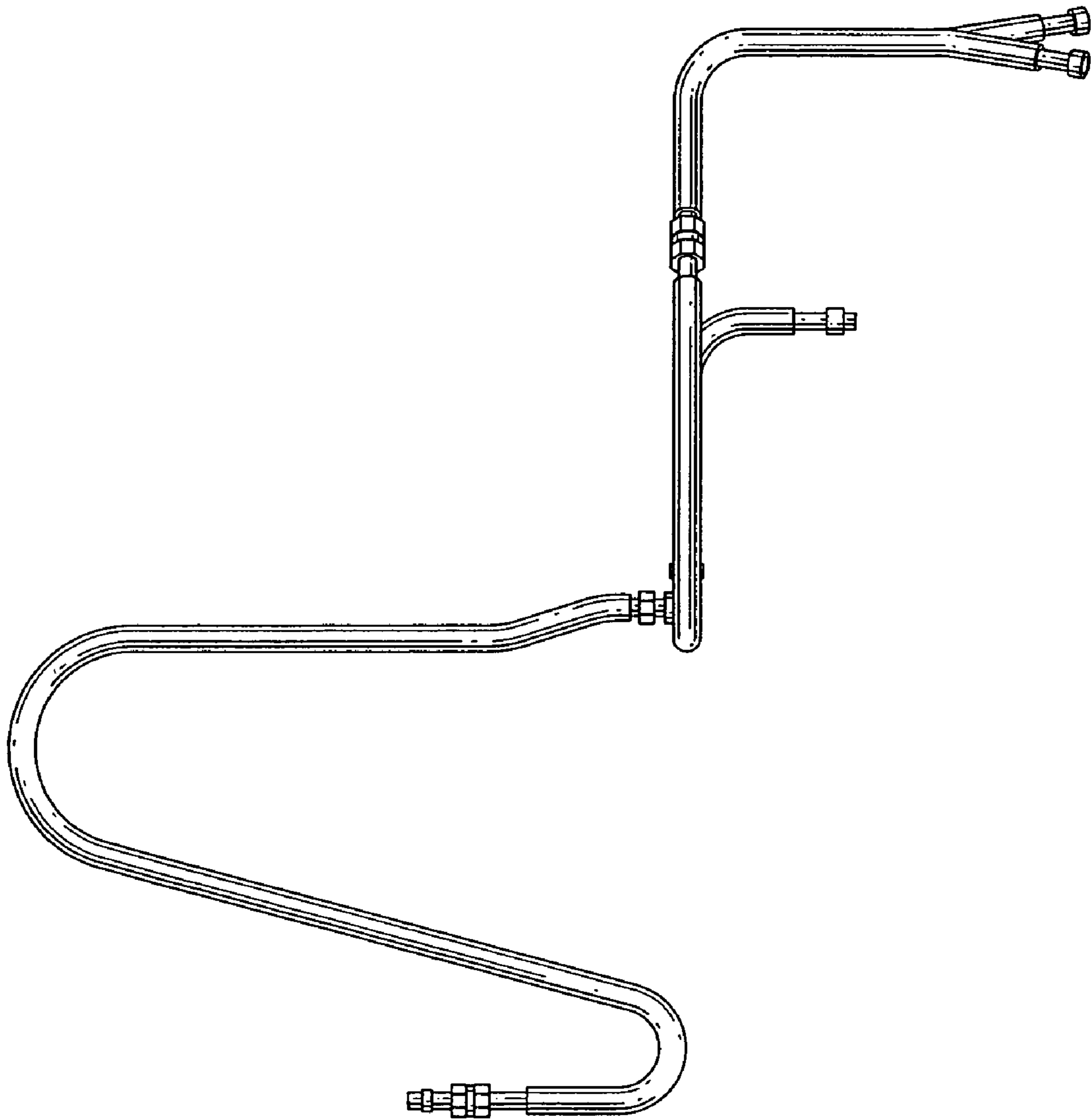


FIG.4

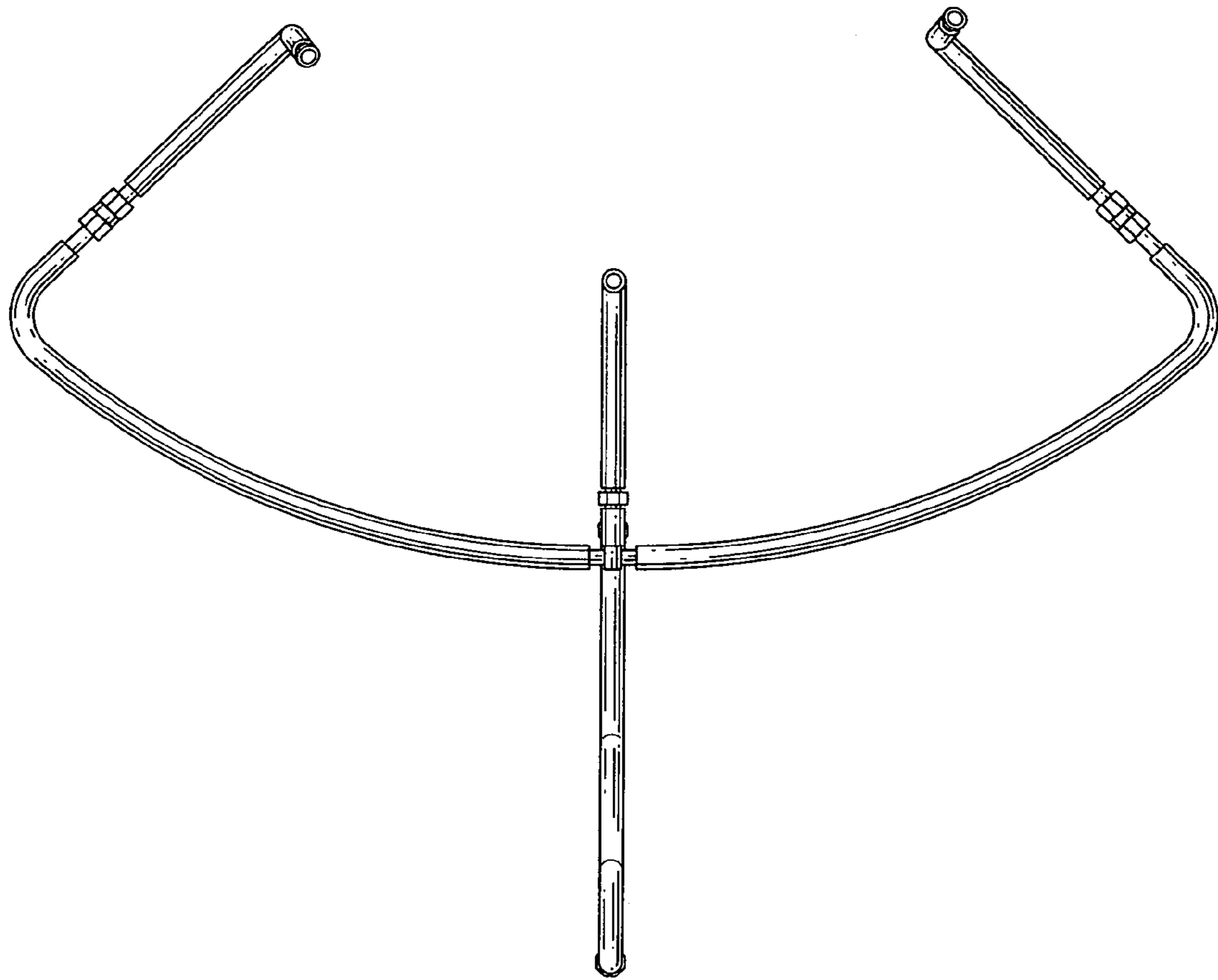


FIG. 5

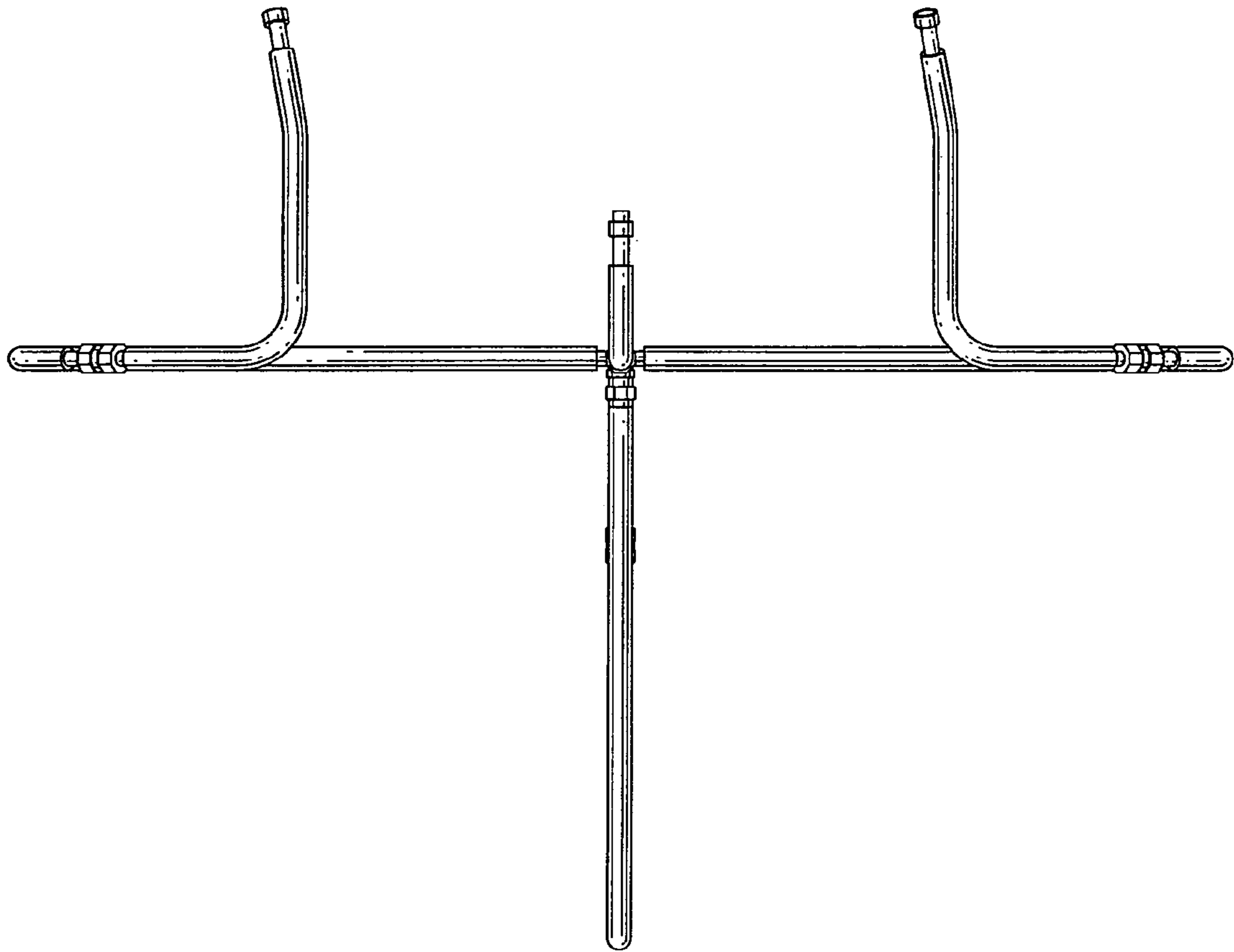


FIG.6

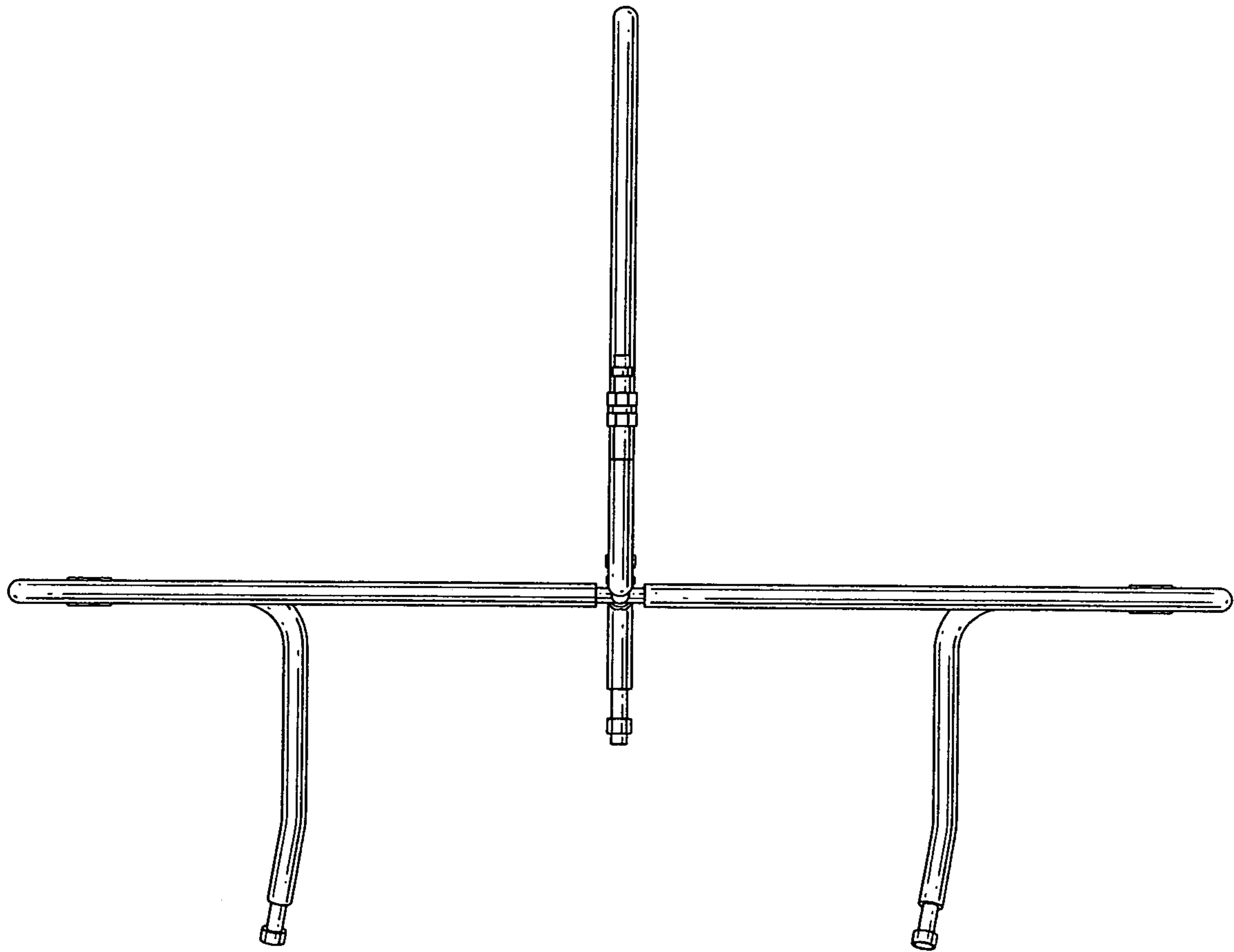


FIG. 7