



US00D548898S

(12) **United States Design Patent**
Northrop et al.

(10) **Patent No.:** **US D548,898 S**

(45) **Date of Patent:** **** Aug. 14, 2007**

(54) **STEP STAIRCASE FOR PETS**

(75) Inventors: **Melaney Northrop**, Arlington, TX
(US); **Michael A. Foster**, Argyle, TX
(US)

(73) Assignee: **Doskocil Manufacturing Company, Inc.**, Arlington, TX (US)

(**) Term: **14 Years**

(21) Appl. No.: **29/258,528**

(22) Filed: **Apr. 24, 2006**

(51) **LOC (8) Cl.** **30-99**

(52) **U.S. Cl.** **D30/199**

(58) **Field of Classification Search** 52/182,
52/188, 190; D30/160, 199, 108, 118, 119,
D30/158, 161; D25/62, 63, 65; D6/349-350;
D12/203; 280/166; 296/156; 105/443,
105/447, 448; 297/118; 119/706-711, 847,
119/28.5, 165, 702, 485, 498; 182/115, 113,
182/151, 33, 35, 95

See application file for complete search history.

(56) **References Cited**

U.S. PATENT DOCUMENTS

3,830,337 A 8/1974 Todd
4,537,282 A 8/1985 Lobdell
5,094,505 A 3/1992 Nichols
D372,985 S * 8/1996 Bourgault D25/2

5,634,440 A 6/1997 Mogck
5,644,873 A * 7/1997 Bourgault 52/182
D383,261 S 9/1997 Karsten et al.
6,000,494 A * 12/1999 Wilson 182/93
D429,038 S 8/2000 Forester
6,155,207 A 12/2000 LaRocca
D449,895 S * 10/2001 Wilson D25/63
D507,662 S * 7/2005 St-Hilaire D25/63
6,964,246 B2 11/2005 Wolfington et al.
6,966,405 B2 * 11/2005 St-Pierre et al. 182/93
2003/0106743 A1 * 6/2003 St-Pierre et al. 182/93

* cited by examiner

Primary Examiner—M. H. Tung

Assistant Examiner—Susan Moon Lee

(74) *Attorney, Agent, or Firm*—Locke Liddell & Sapp, LLP

(57) **CLAIM**

The ornamental design for a step staircase for pets, as shown and described.

DESCRIPTION

FIG. 1 is a perspective view of a step staircase for pets;

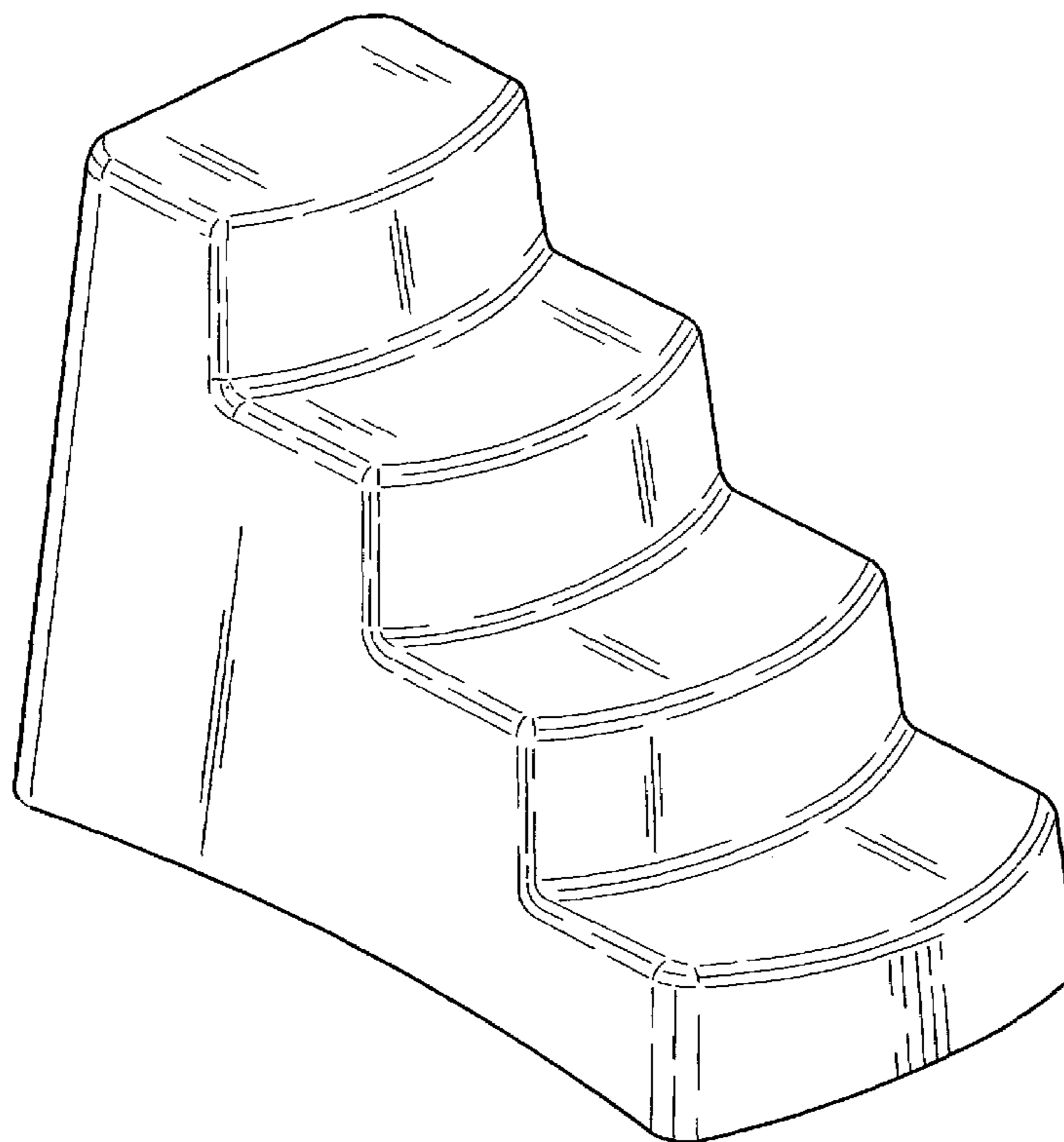
FIG. 2 is a top plan view thereof.

FIG. 3 is a left side elevational view thereof, the right side elevational view being a mirror image thereof,

FIG. 4 is a front elevational view thereof; and,

FIG. 5 is a rear elevational view thereof.

1 Claim, 2 Drawing Sheets



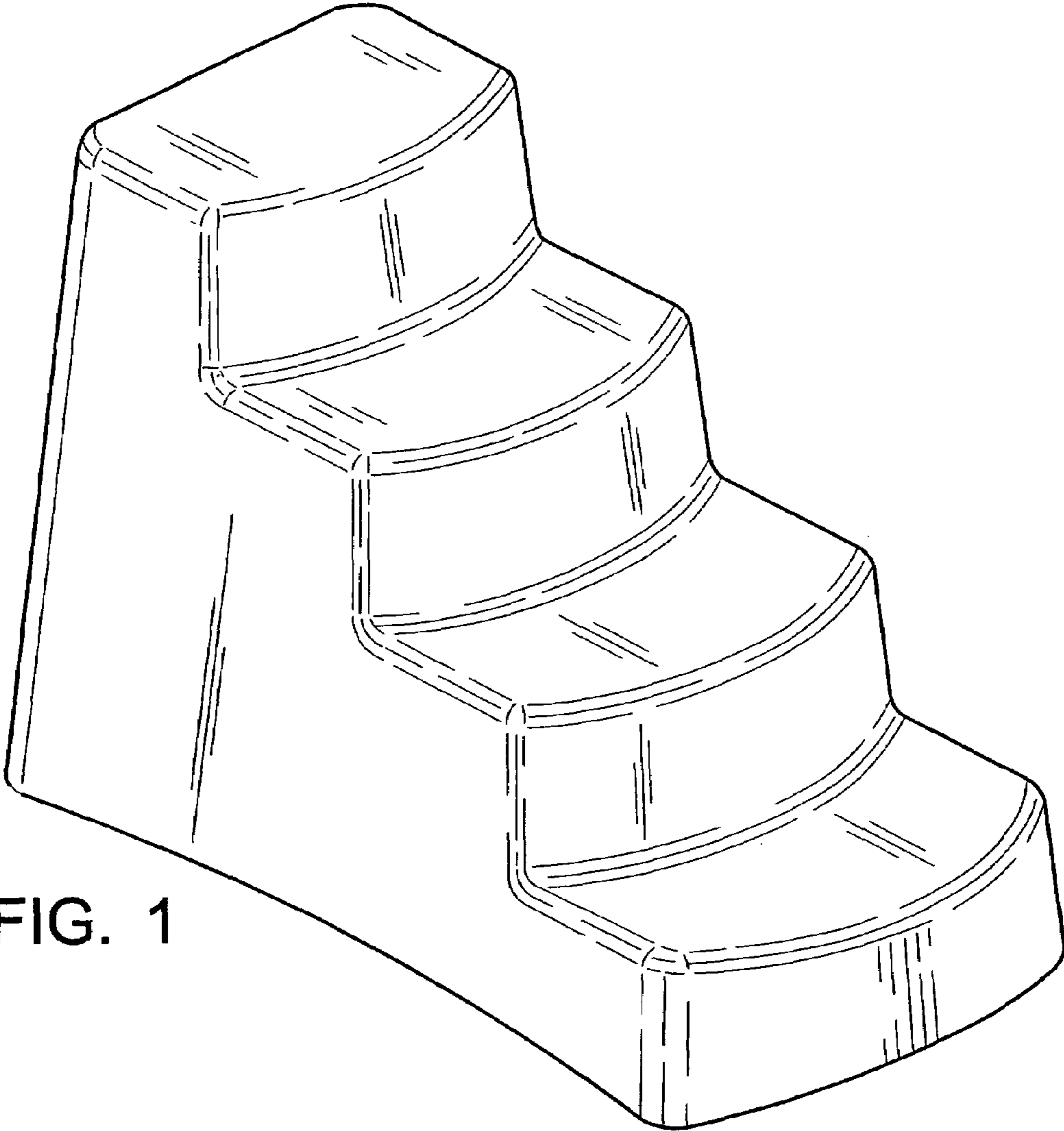
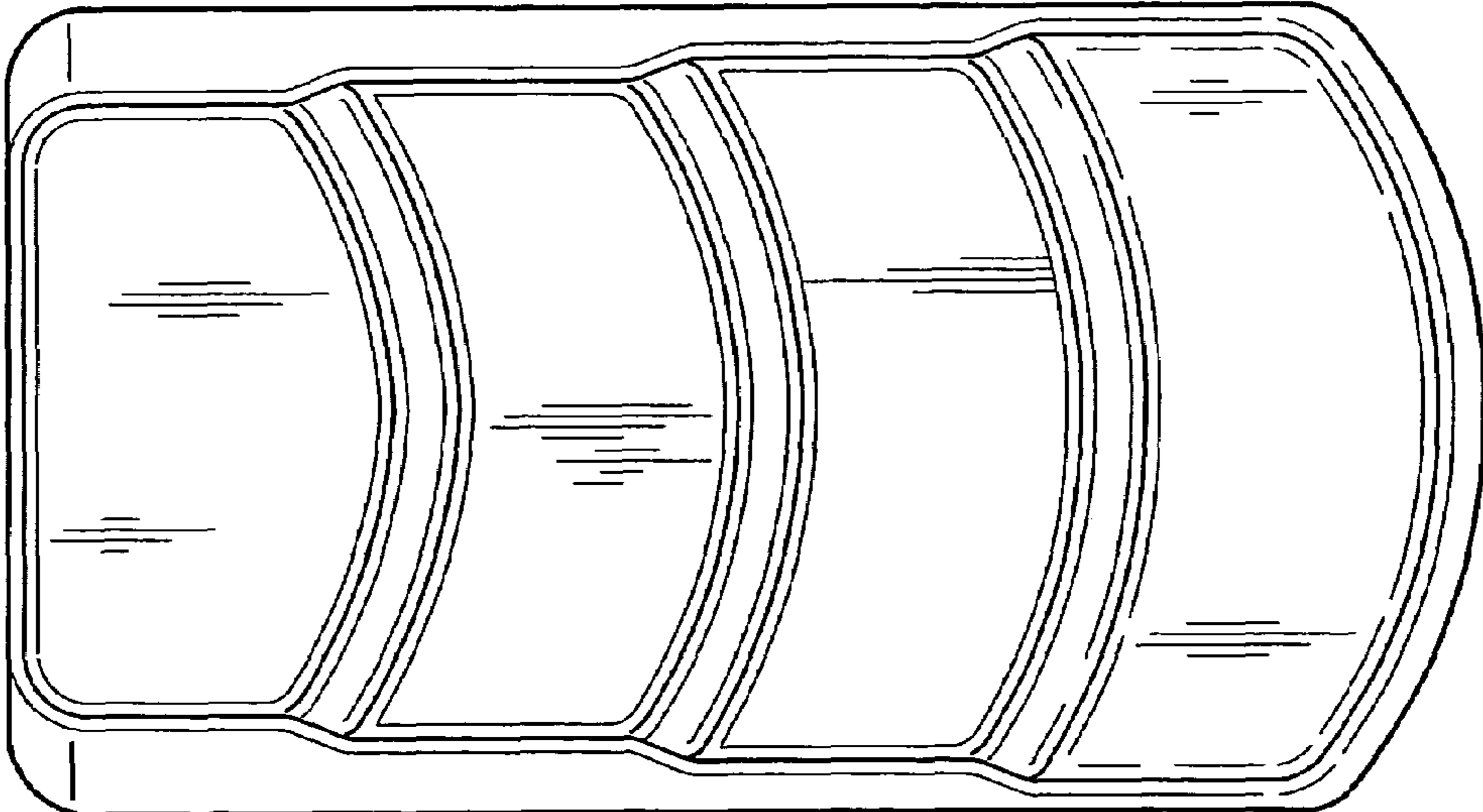


FIG. 1

FIG. 2



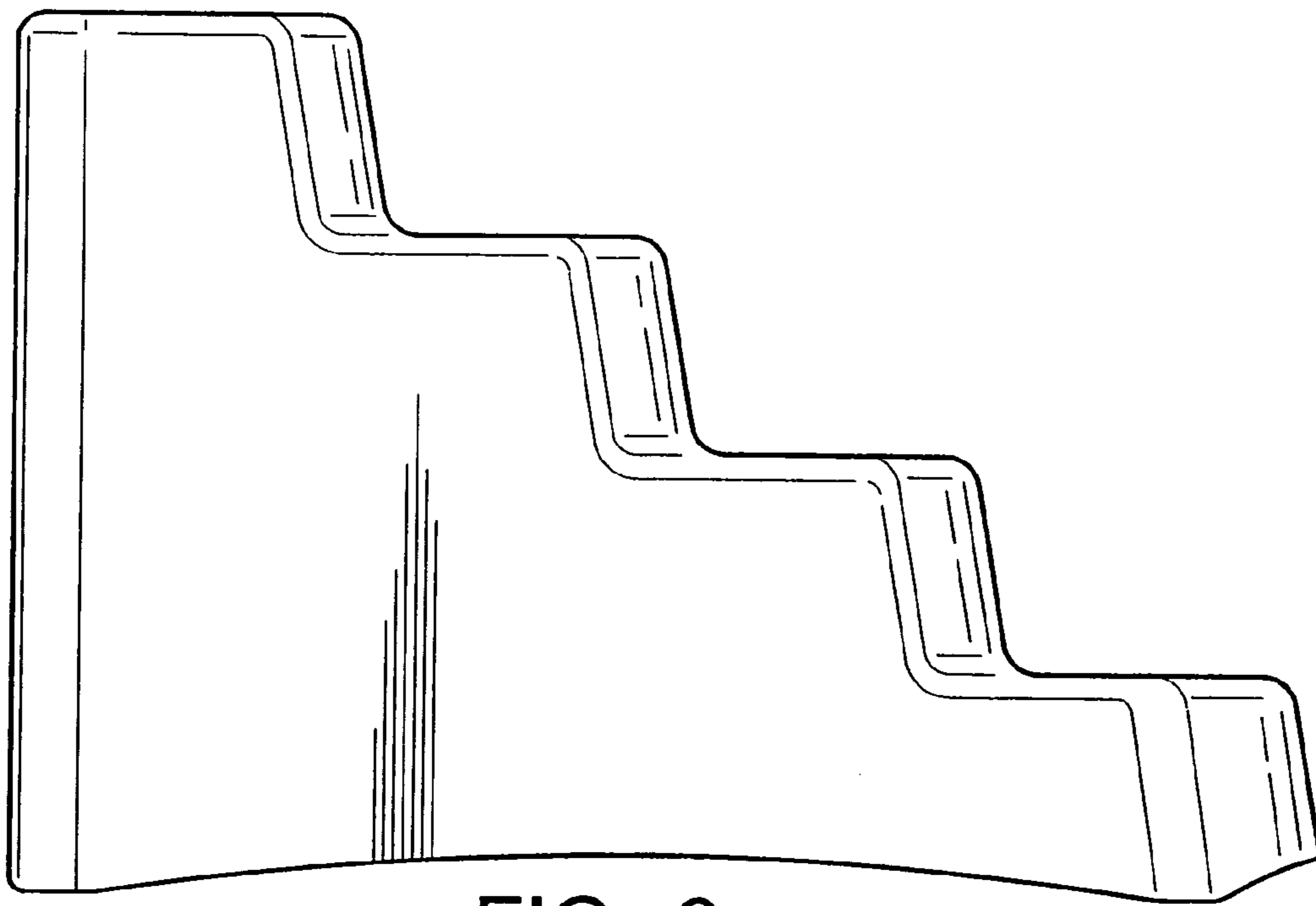


FIG. 3

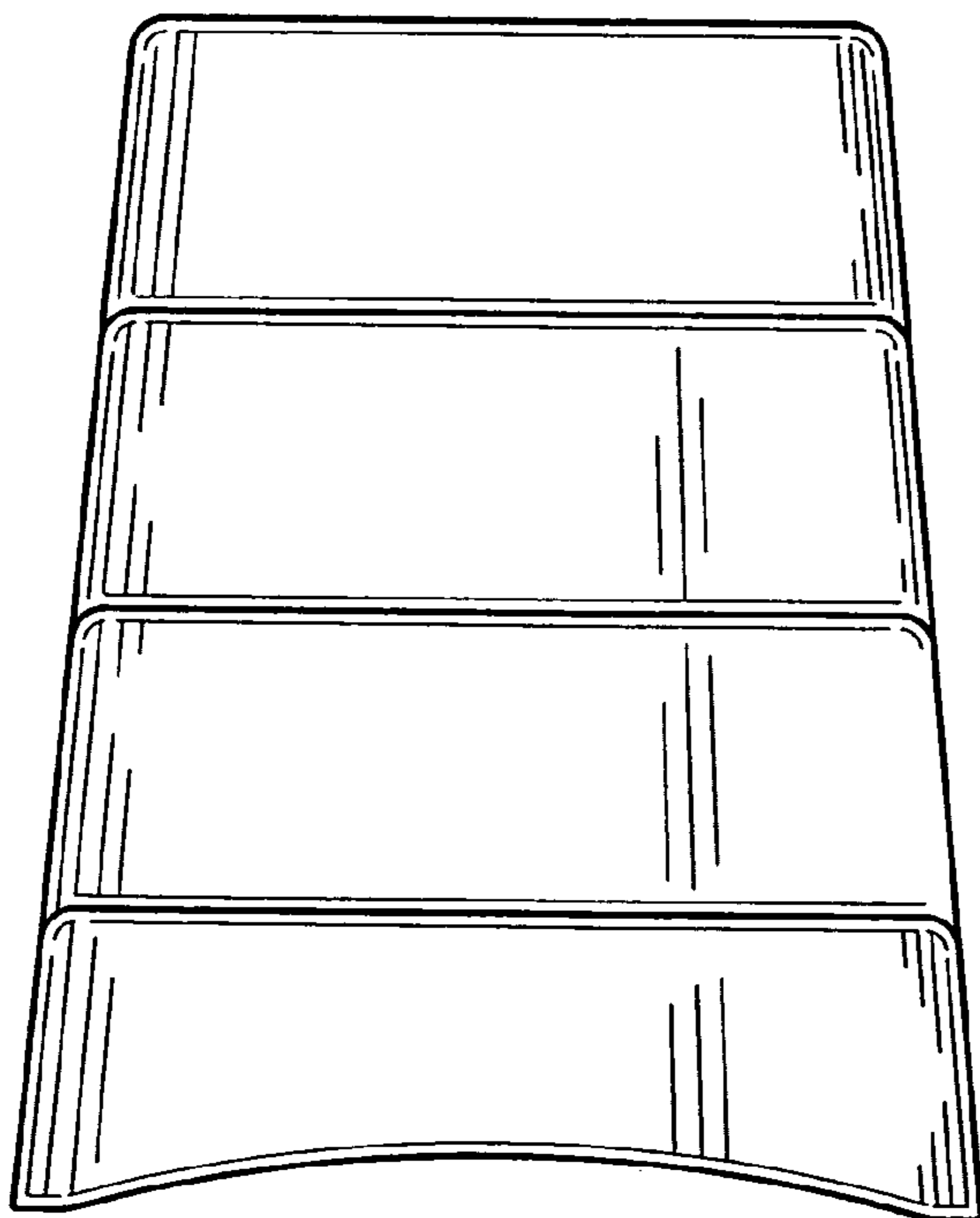


FIG. 4

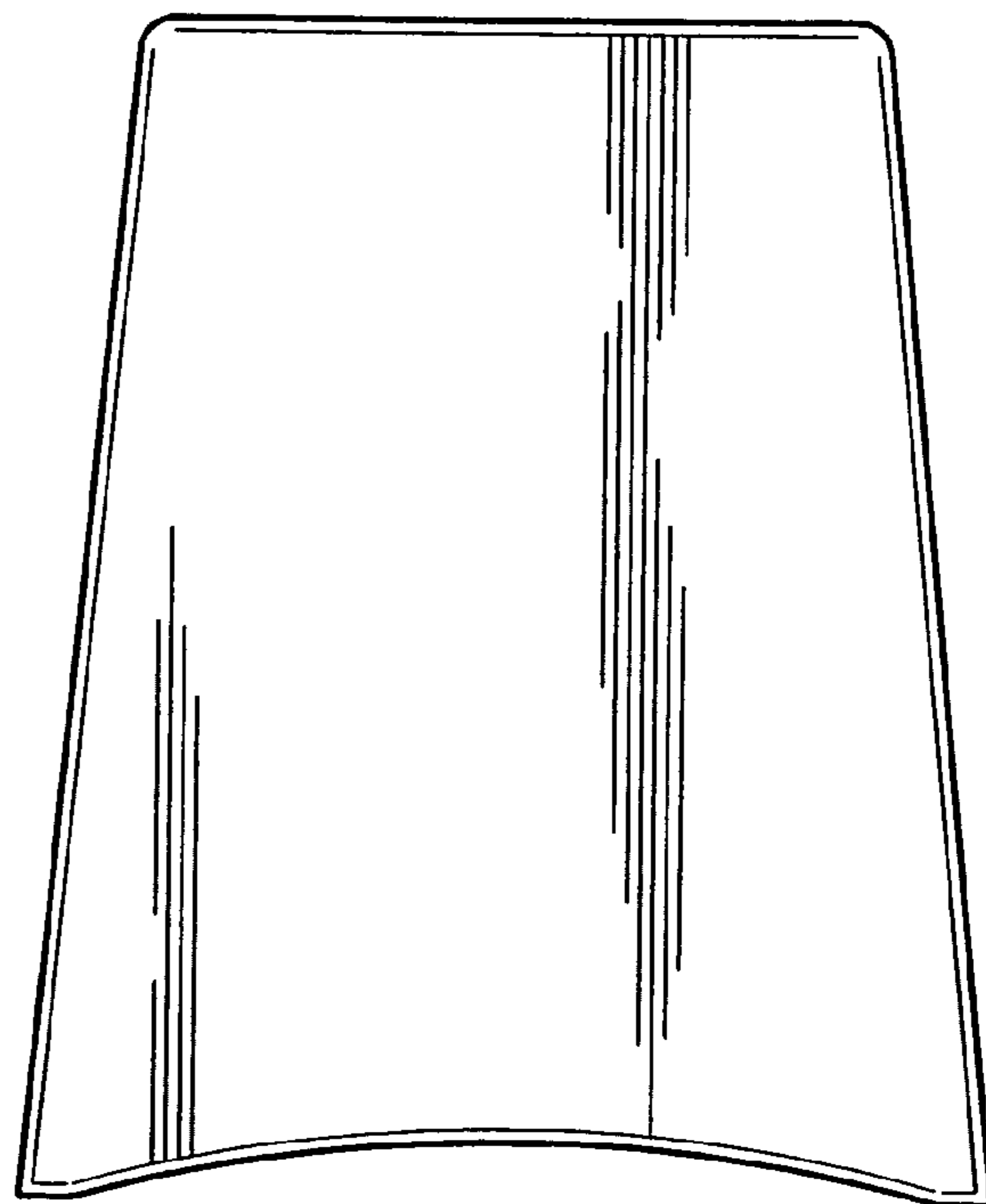


FIG. 5