



US00D548897S

(12) **United States Design Patent**
Muster

(10) **Patent No.:** **US D548,897 S**

(45) **Date of Patent:** **** Aug. 14, 2007**

(54) **LEASH COVER**

(76) **Inventor:** **James Muster**, 2142 N. Watersedge Dr., Crystal River, FL (US) 34429

(**) **Term:** **14 Years**

(21) **Appl. No.:** **29/246,222**

(22) **Filed:** **Mar. 23, 2006**

(51) **LOC (8) Cl.** **30-99**

(52) **U.S. Cl.** **D30/199**

(58) **Field of Classification Search** D3/201,
D3/226, 228, 230-32, 303, 243; D30/199,
D30/151-3; 224/929-30, 901.6, 901, 907-8;
220/694, 752; 383/86-0.2; 206/305, 320,
206/548; 16/110.1, 904; 150/154
See application file for complete search history.

(56) **References Cited**

U.S. PATENT DOCUMENTS

D238,629 S *	2/1976	Tibbetts	D3/230
D266,200 S *	9/1982	Berman	D3/230
D266,202 S *	9/1982	Berman	D3/230
D279,427 S *	7/1985	Emery	D3/232
D393,941 S *	5/1998	Akutsu	D3/226
5,964,386 A *	10/1999	Cote	224/250
D416,676 S *	11/1999	Fitzgerald	D3/226
D429,562 S *	8/2000	Lau	D3/226
D438,000 S	2/2001	Couchon et al.		
6,256,015 B1	7/2001	Adler		
6,314,917 B1	11/2001	Ryan		
D463,074 S	9/2002	Couchon et al.		
D465,323 S *	11/2002	Dancyger	D3/226
6,612,432 B2 *	9/2003	Motson	206/305
D526,749 S	8/2006	Campbell		

* cited by examiner

Primary Examiner—M. H. Tung

Assistant Examiner—Susan Moon Lee

(74) *Attorney, Agent, or Firm*—QuickPatents, Inc.; Kevin Prince

(57) **CLAIM**

The ornamental design for a leash cover, as shown and described.

DESCRIPTION

FIG. 1 is a top, right perspective view of the leash cover shown in use with a retractable dog leash depicted in phantom outline;

FIG. 2 is a right side elevational view of the leash cover shown in use with a retractable dog leash depicted in phantom outline;

FIG. 3 is a left side elevational view of the leash cover shown in use with a retractable dog leash depicted in phantom outline;

FIG. 4 is a bottom plan view of the leash cover;

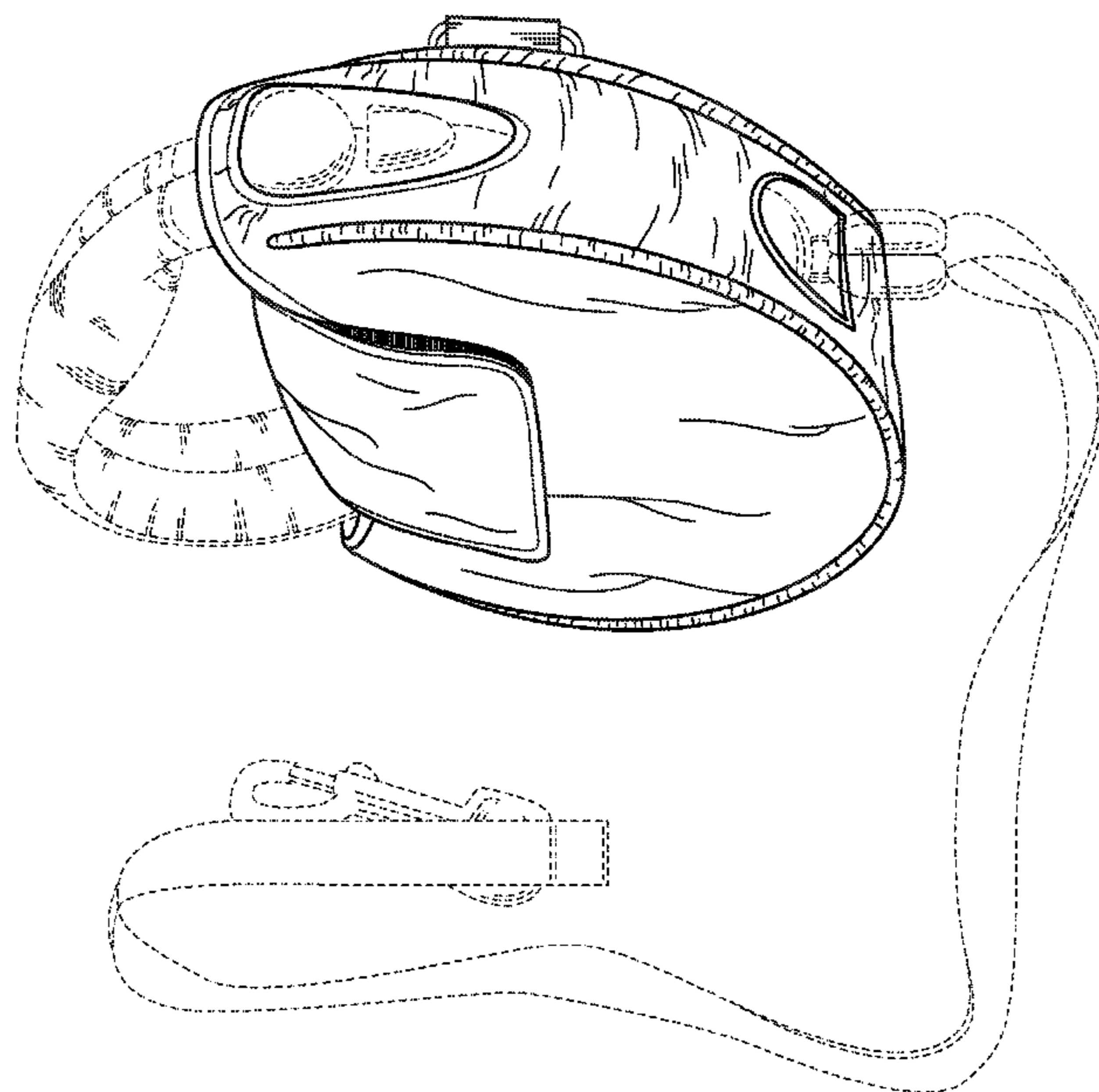
FIG. 5 is a top plan view thereof;

FIG. 6 is a front elevational view thereof, shown with the snap closure strap in an open position; and,

FIG. 7 is a rear elevational view thereof, shown with the snap closure strap in an open position.

The broken line showing of a retractable dog leash in FIGS. 1-3 is for illustrative purposes only and forms no part of the claimed design.

1 Claim, 3 Drawing Sheets



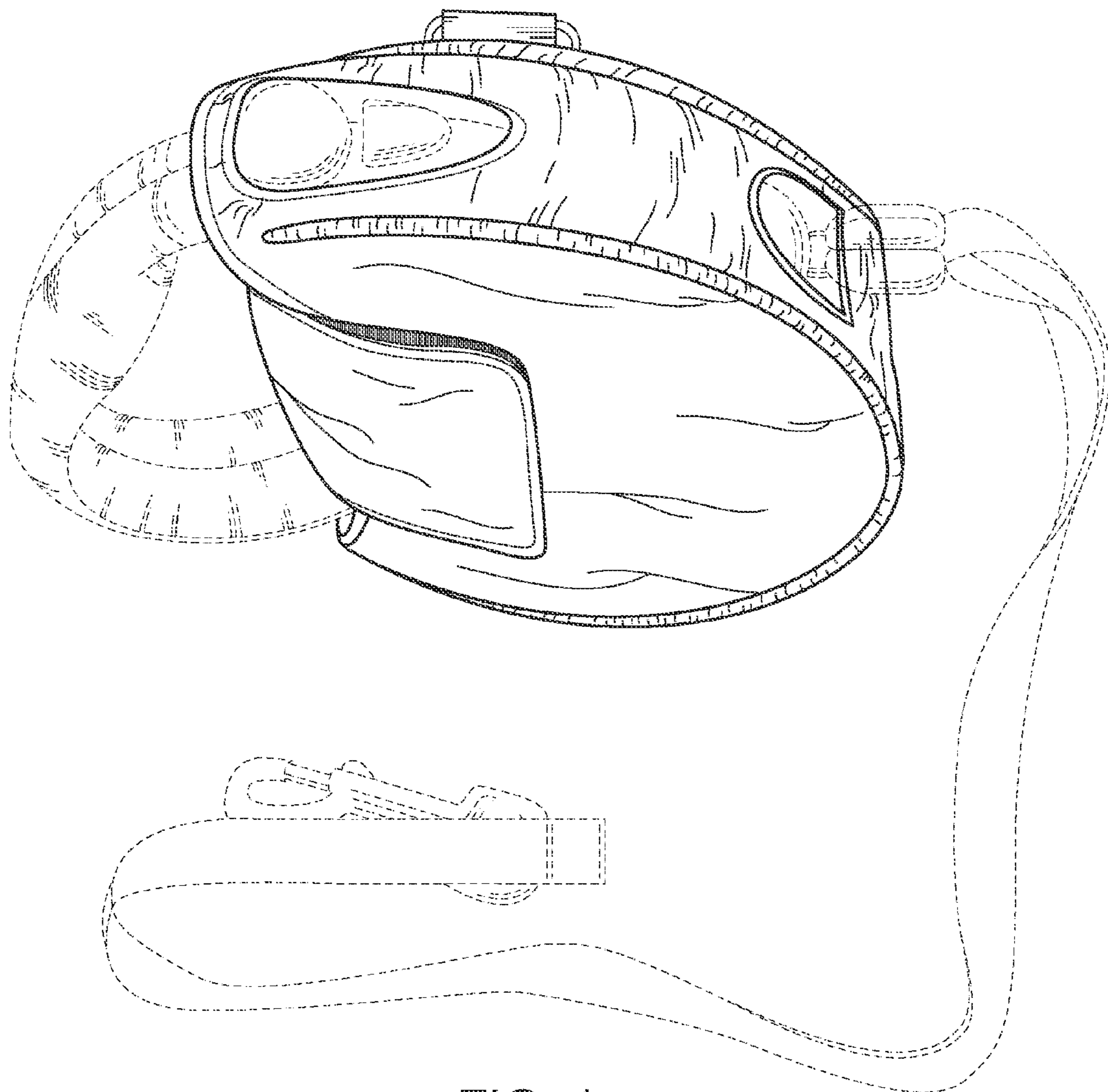


FIG. 1

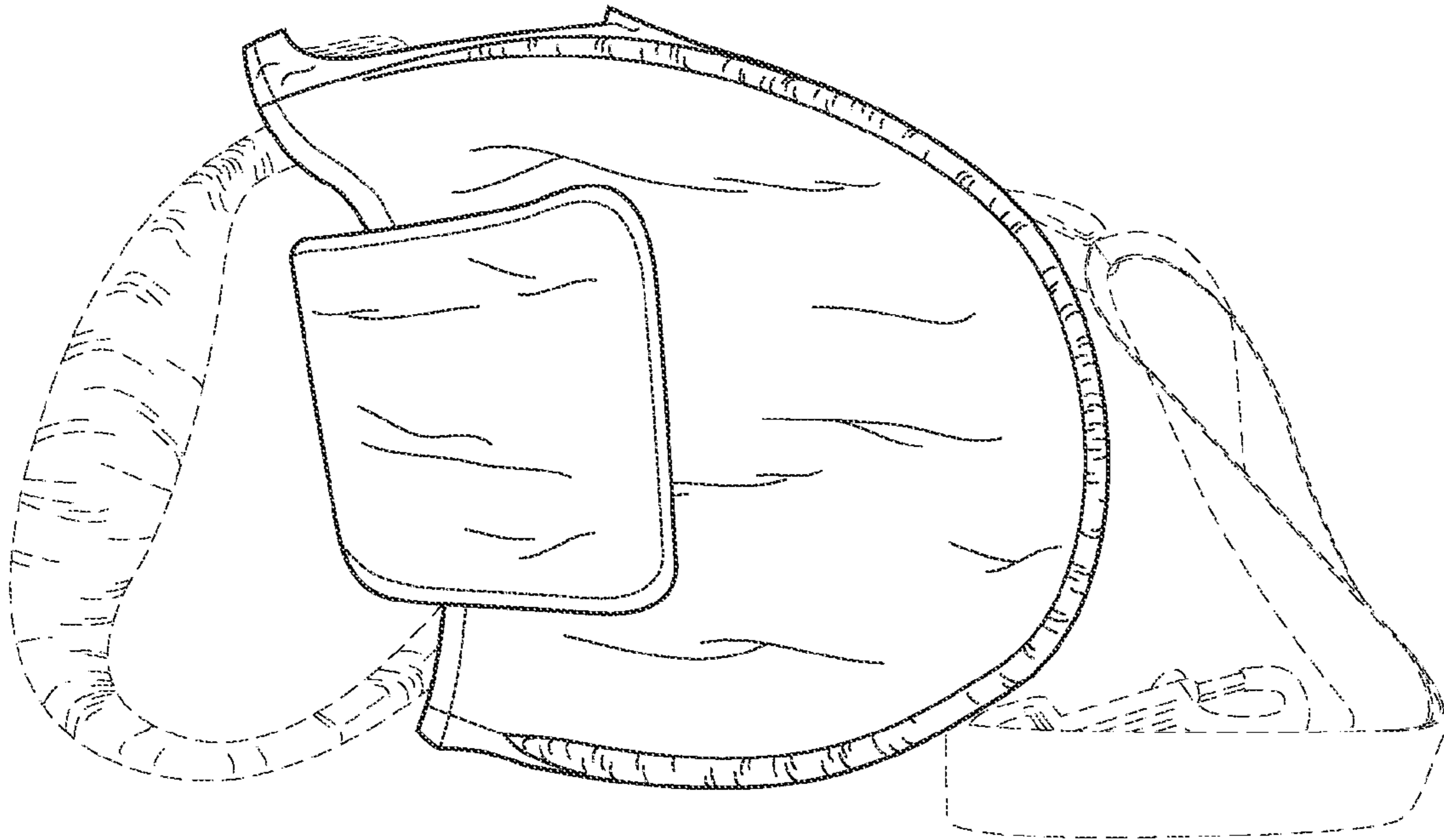


FIG. 2

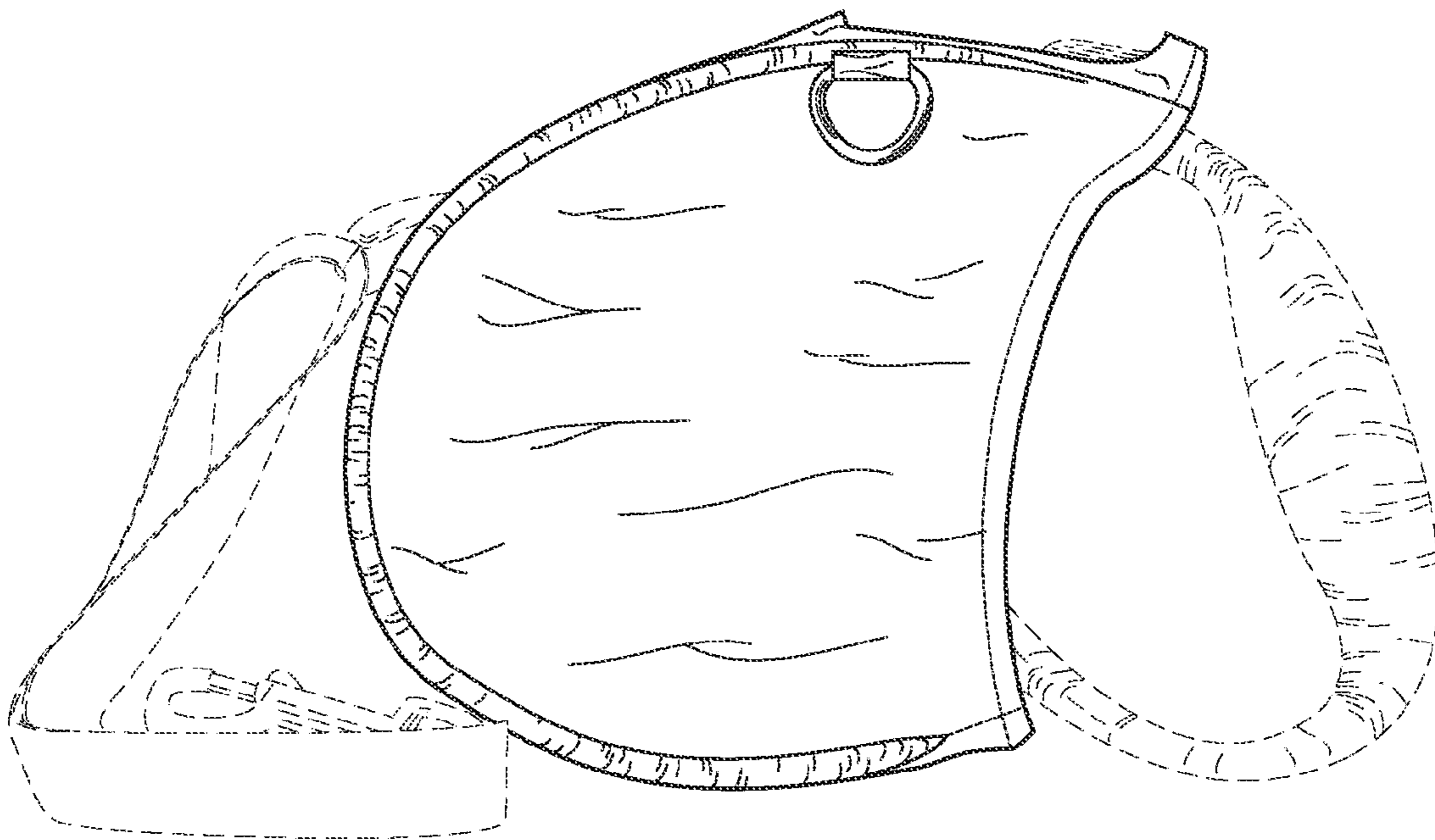


FIG. 3

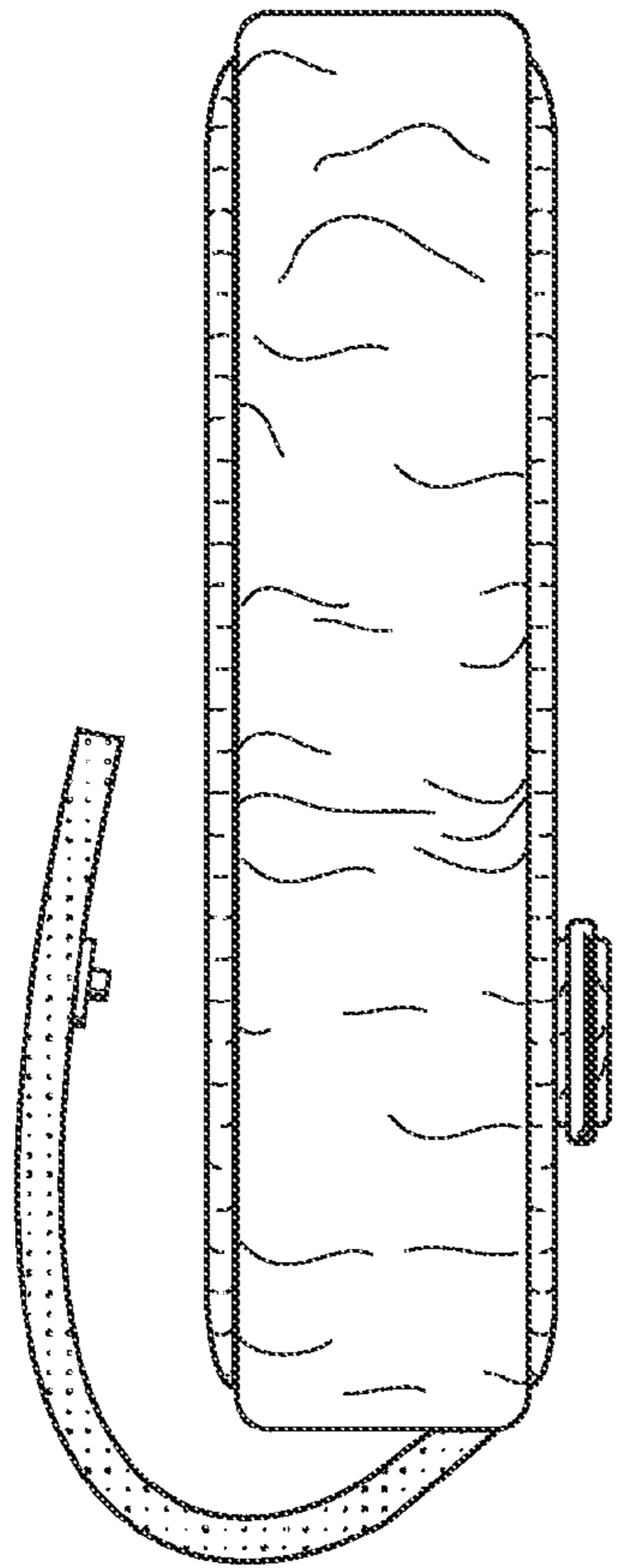


FIG. 4

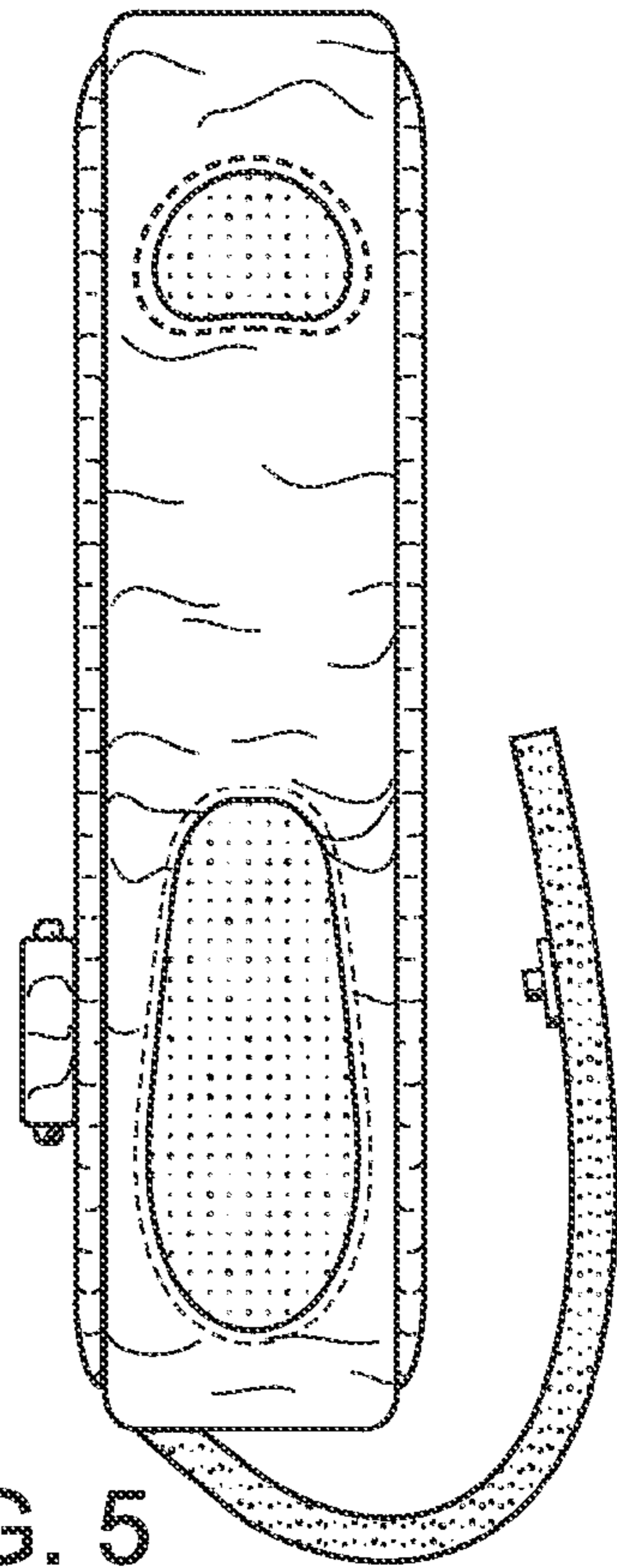


FIG. 5

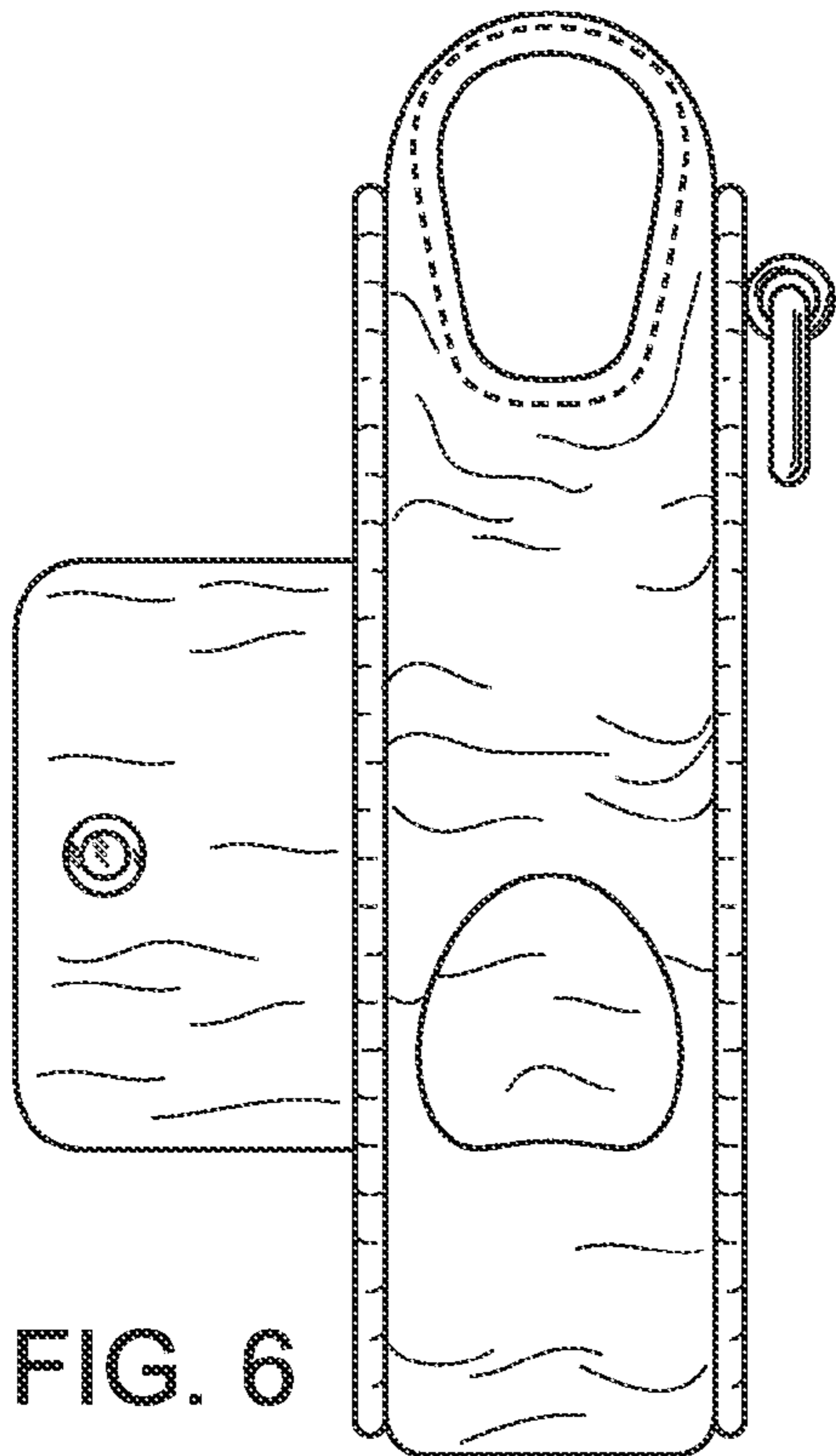


FIG. 6

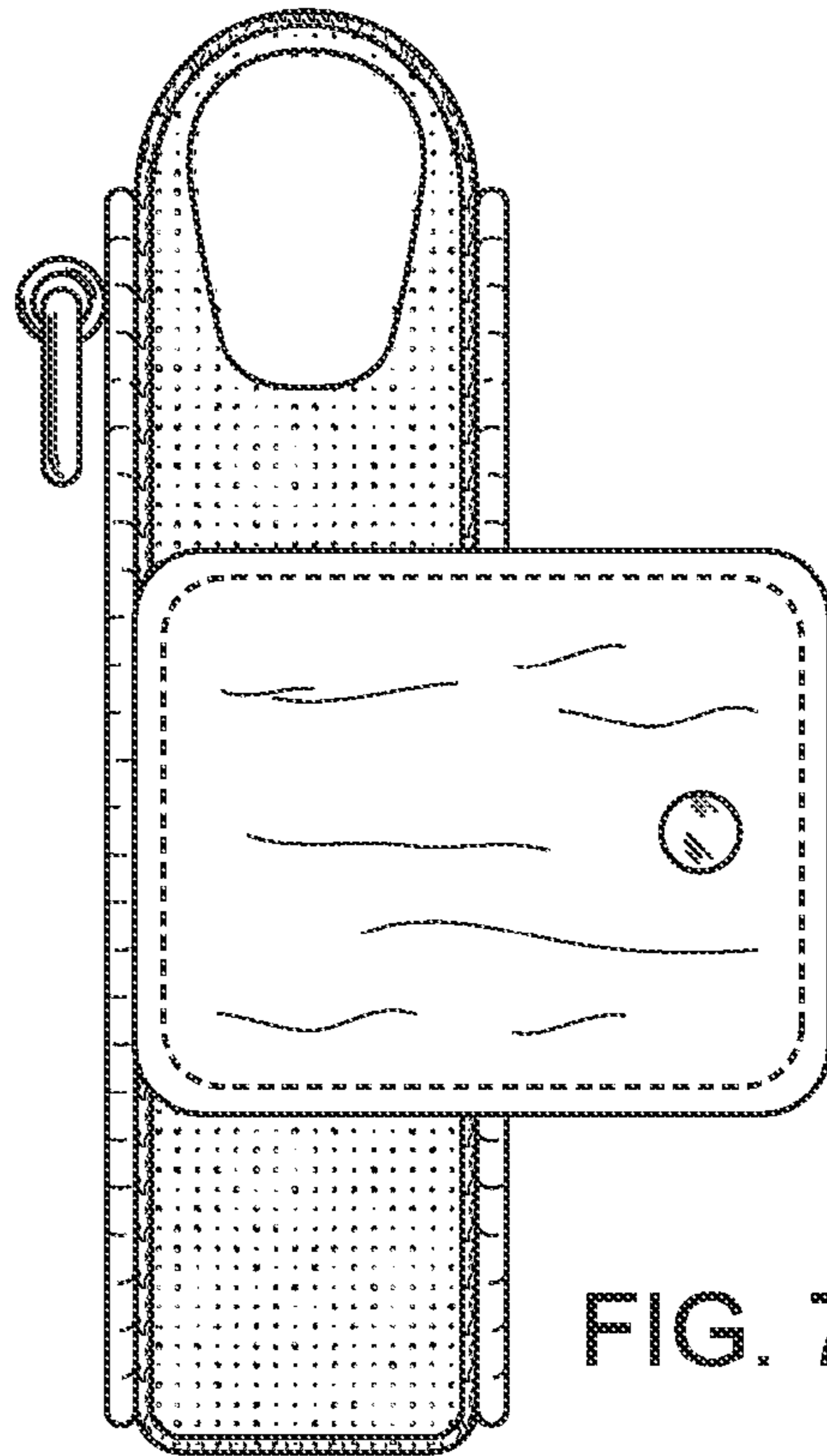


FIG. 7