

US00D548892S

(12) **United States Design Patent**
Wilson et al.

(10) **Patent No.:** **US D548,892 S**

(45) **Date of Patent:** **** Aug. 14, 2007**

(54) **GARMENT SLEEVE PROTECTOR**

(76) Inventors: **Jewel E. Wilson**, 6102 Allencrest Cir.,
Corpus Christi, TX (US) 78415; **Angel**
Bland-Hazley, 6102 Allencrest Cir.,
Corpus Christi, TX (US) 78415

(**) Term: **14 Years**

(21) Appl. No.: **29/255,885**

(22) Filed: **Mar. 13, 2006**

(51) **LOC (8) Cl.** **29-02**

(52) **U.S. Cl.** **D29/120.1**

(58) **Field of Classification Search** D2/610,
D2/614, 623, 901; D29/113, 118, 120.1,
D29/123; 2/1, 455, 16, 46, 59, 160, 162,
2/170, 910, 917; D24/190; 36/2 R

See application file for complete search history.

(56) **References Cited**

U.S. PATENT DOCUMENTS

3,643,905 A *	2/1972	Kint	248/345.1
D241,185 S	8/1975	Schlechter		
D239,788 S *	5/1976	Allway	D2/610
5,210,878 A	5/1993	Triche		
D374,971 S	10/1996	Park		
5,652,961 A	8/1997	Knight-Yurt		
D393,138 S	4/1998	Frey		

5,806,094 A	9/1998	Kasun et al.		
5,864,886 A	2/1999	Gregory, minor et al.		
5,956,761 A	9/1999	Capnerhurst		
6,094,743 A	8/2000	Delgado		
D442,765 S *	5/2001	Newman	D2/610
6,418,561 B1	7/2002	Gregory		
D474,323 S	5/2003	Carter		
6,665,876 B1	12/2003	Newman		
2001/0039673 A1*	11/2001	Carraway	2/170

* cited by examiner

Primary Examiner—Robert A. Delehanty

(74) *Attorney, Agent, or Firm*—Robert C. Montgomery

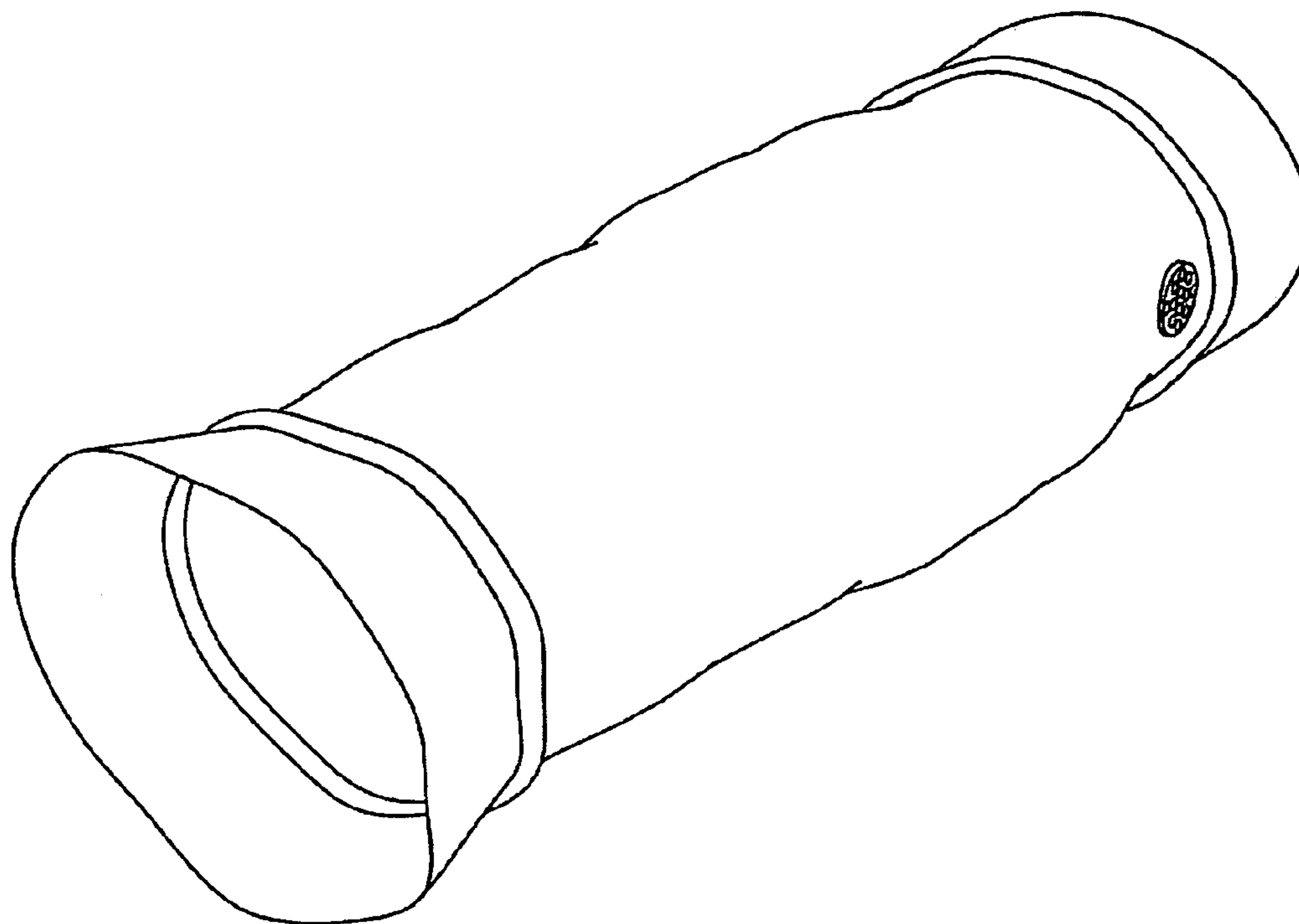
(57) **CLAIM**

The ornamental design for a garment sleeve protector, as shown and described.

DESCRIPTION

FIG. 1 is a perspective view of a garment sleeve protector;
FIG. 2 is a front view thereof;
FIG. 3 is a rear view thereof;
FIG. 4 is a right side view thereof;
FIG. 5 is a left side view thereof;
FIG. 6 is a top view thereof; and,
FIG. 7 is a bottom view thereof.

1 Claim, 4 Drawing Sheets



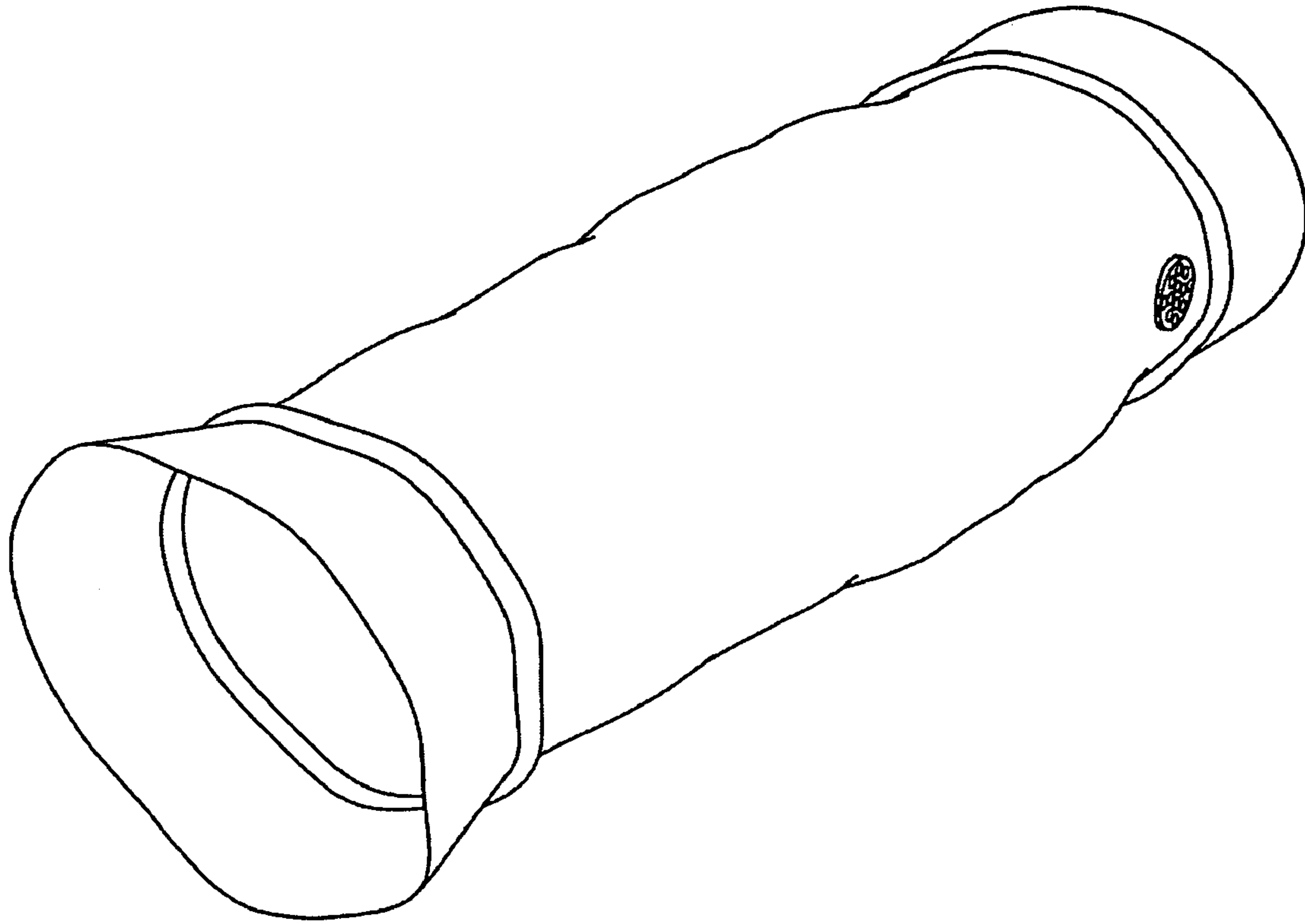


FIG. 1

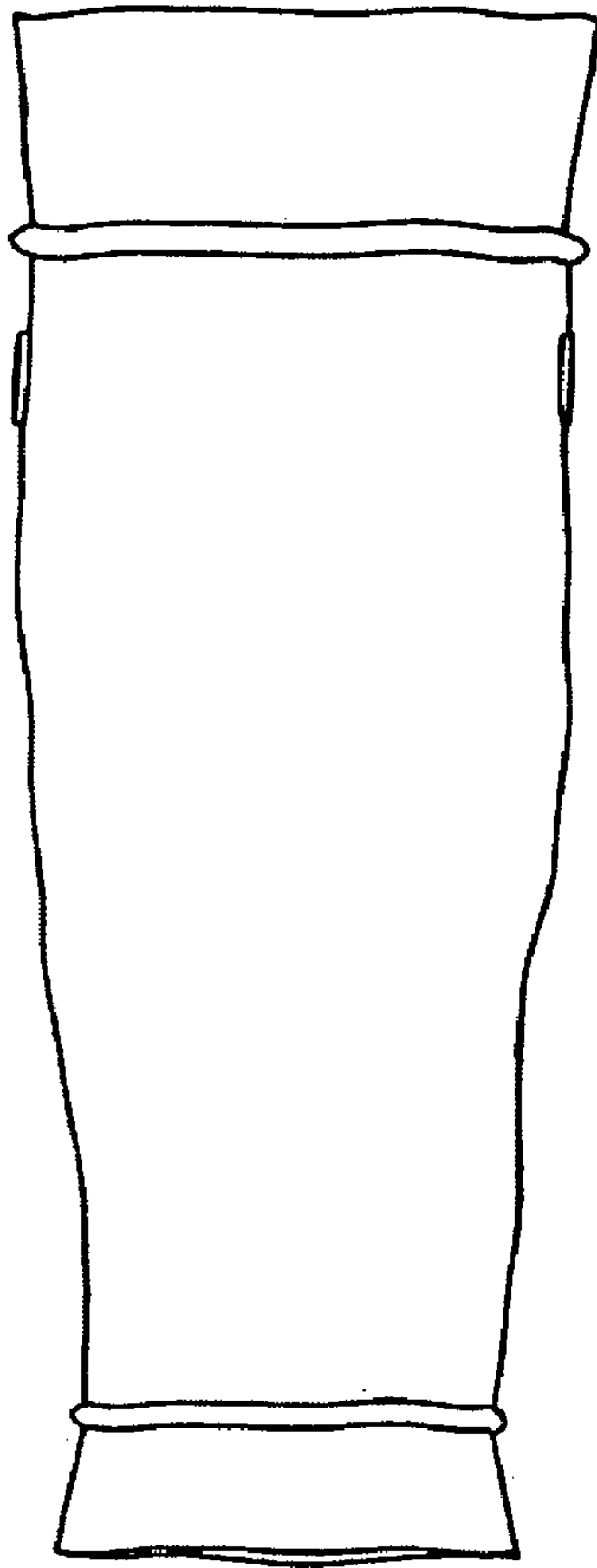


FIG. 2

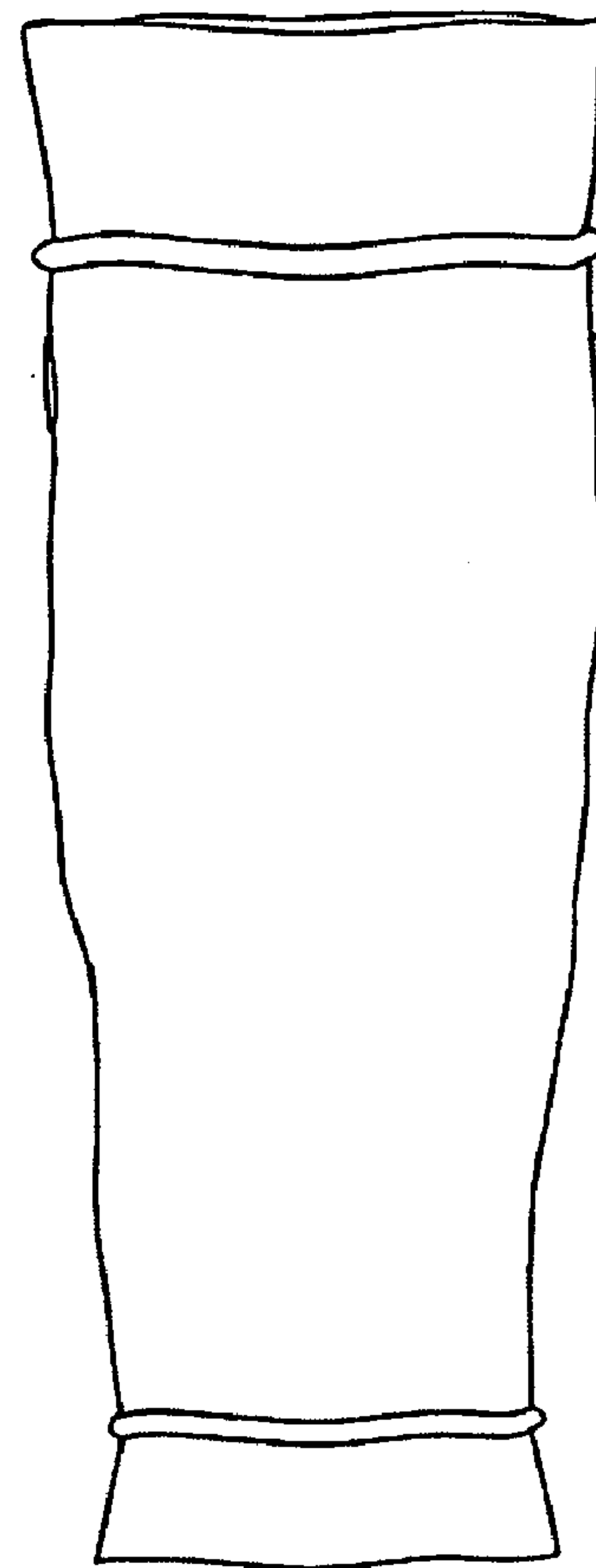


FIG. 3

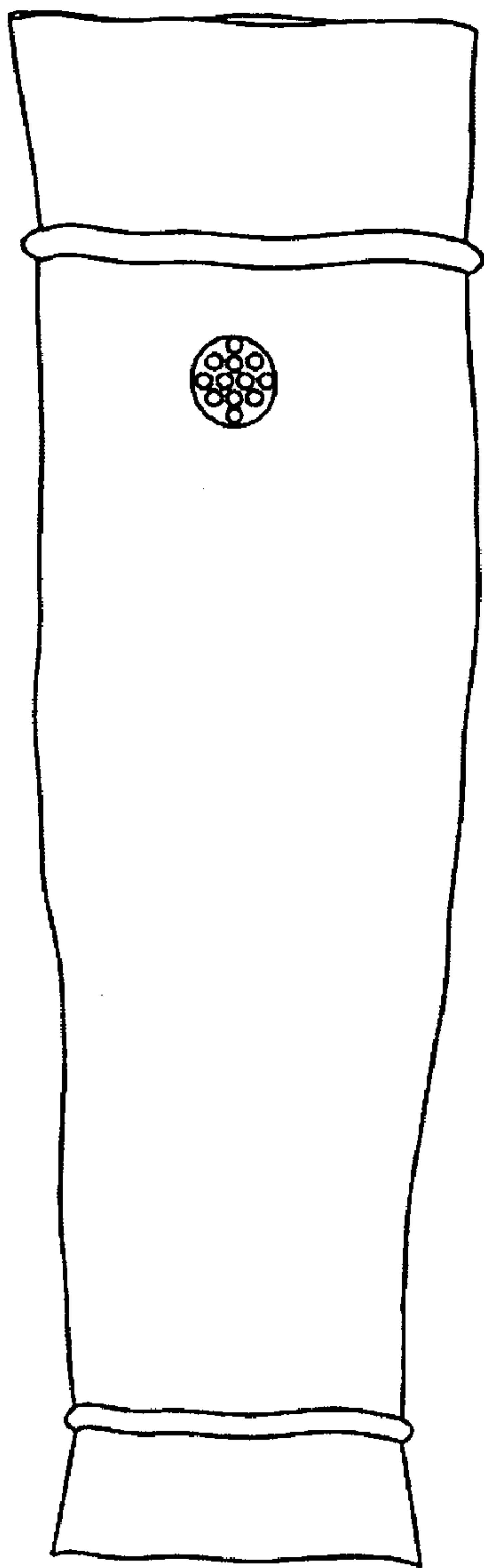


FIG. 4

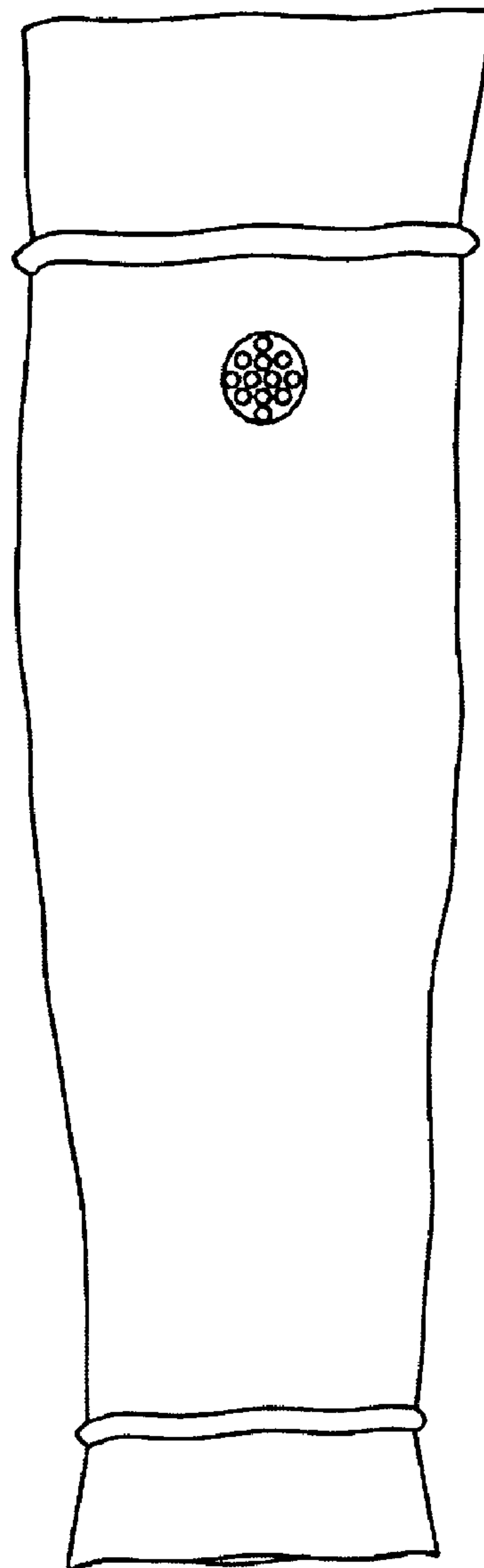


FIG. 5

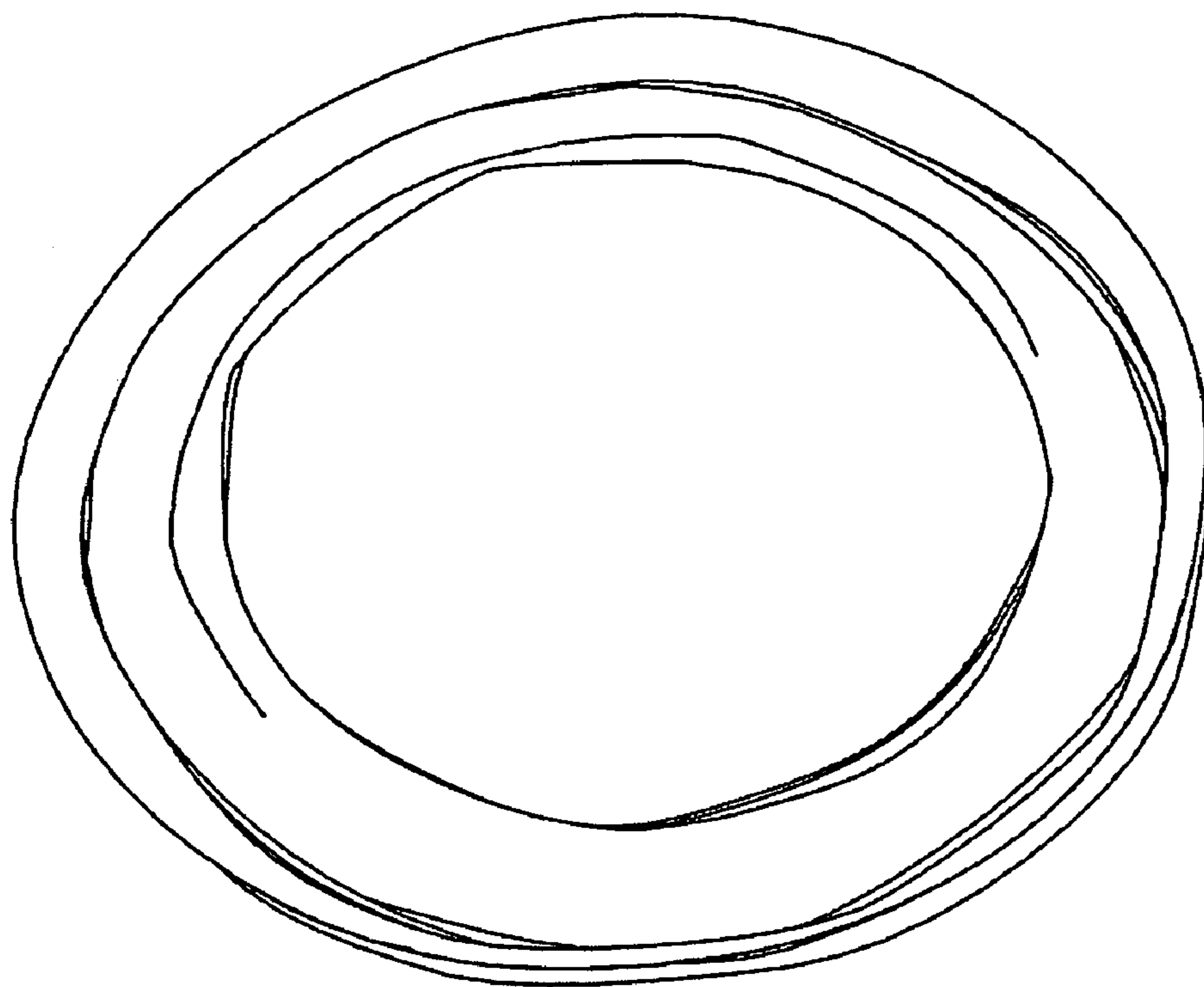


FIG. 6

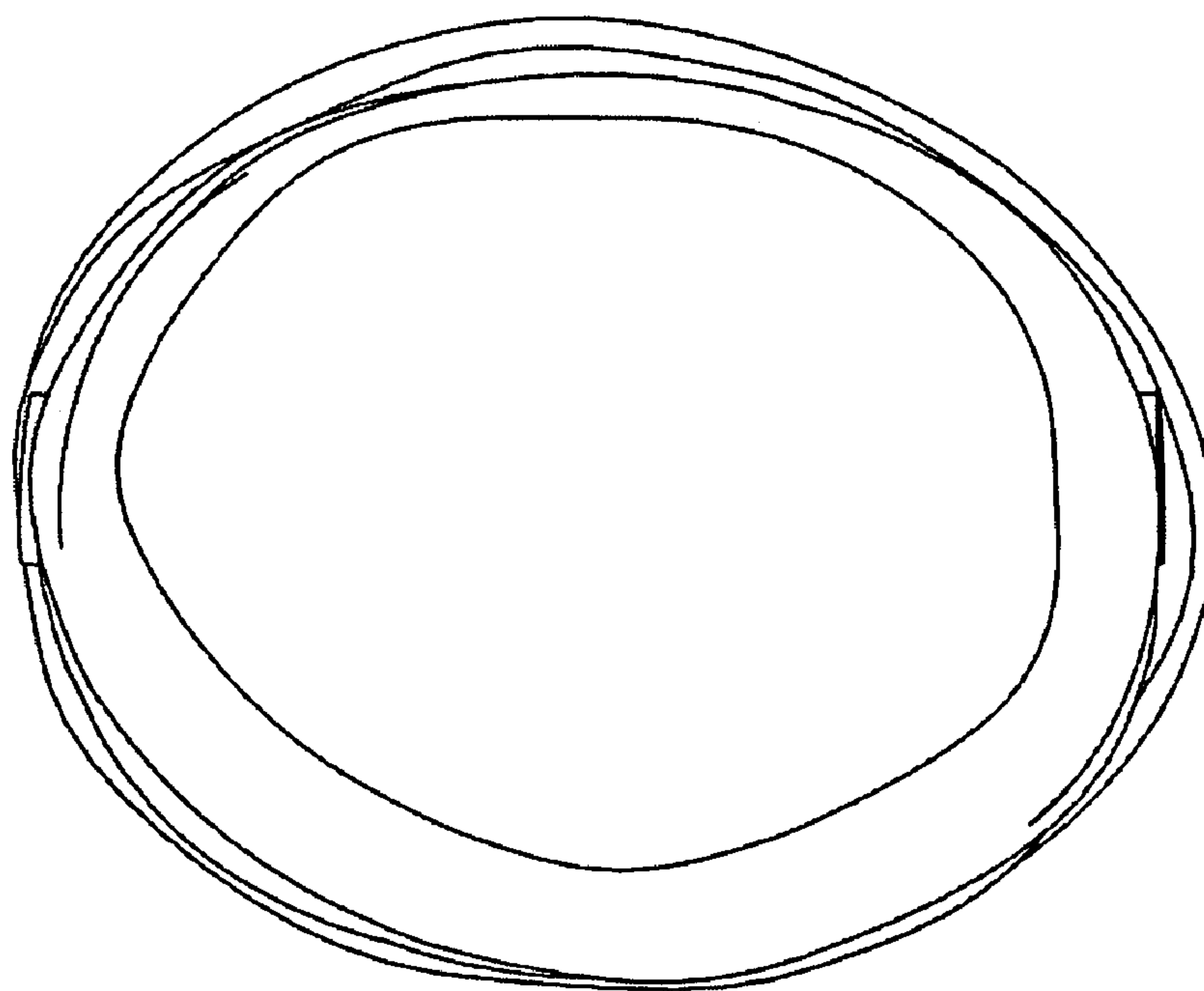


FIG. 7