

US00D54888S

(12) **United States Design Patent**  
**McCambridge**

(10) **Patent No.:** **US D548,888 S**

(45) **Date of Patent:** **\*\* Aug. 14, 2007**

(54) **COMB HOLDER**

(75) Inventor: **James E. McCambridge**, Polo, IL (US)

(73) Assignee: **Wahl Clipper Corporation**, Sterling, IL (US)

(\*\*) Term: **14 Years**

(21) Appl. No.: **29/232,084**

(22) Filed: **Jun. 14, 2005**

(51) **LOC (8) Cl.** ..... **28-03**

(52) **U.S. Cl.** ..... **D28/74**

(58) **Field of Classification Search** ..... D28/73,  
D28/74; D7/555, 553.1, 553.2, 552.2, 549;  
220/507, 555; 206/557-567; 211/65, 126.1  
See application file for complete search history.

(56) **References Cited**

**U.S. PATENT DOCUMENTS**

2,188,781 A \* 1/1940 Steenstrup ..... 220/507  
4,646,921 A \* 3/1987 Canter ..... 211/126.1

D376,928 S \* 12/1996 Lorenzana et al. .... D7/555  
D395,983 S \* 7/1998 Panta Chica ..... D7/555  
2004/0118854 A1\* 6/2004 Kutun ..... 220/507

\* cited by examiner

*Primary Examiner*—Jennifer Rivard

(74) *Attorney, Agent, or Firm*—Greer, Burns & Crain, Ltd.

(57) **CLAIM**

The ornamental design for a comb holder, as shown and described.

**DESCRIPTION**

FIG. 1 is a top perspective view of the present comb holder;

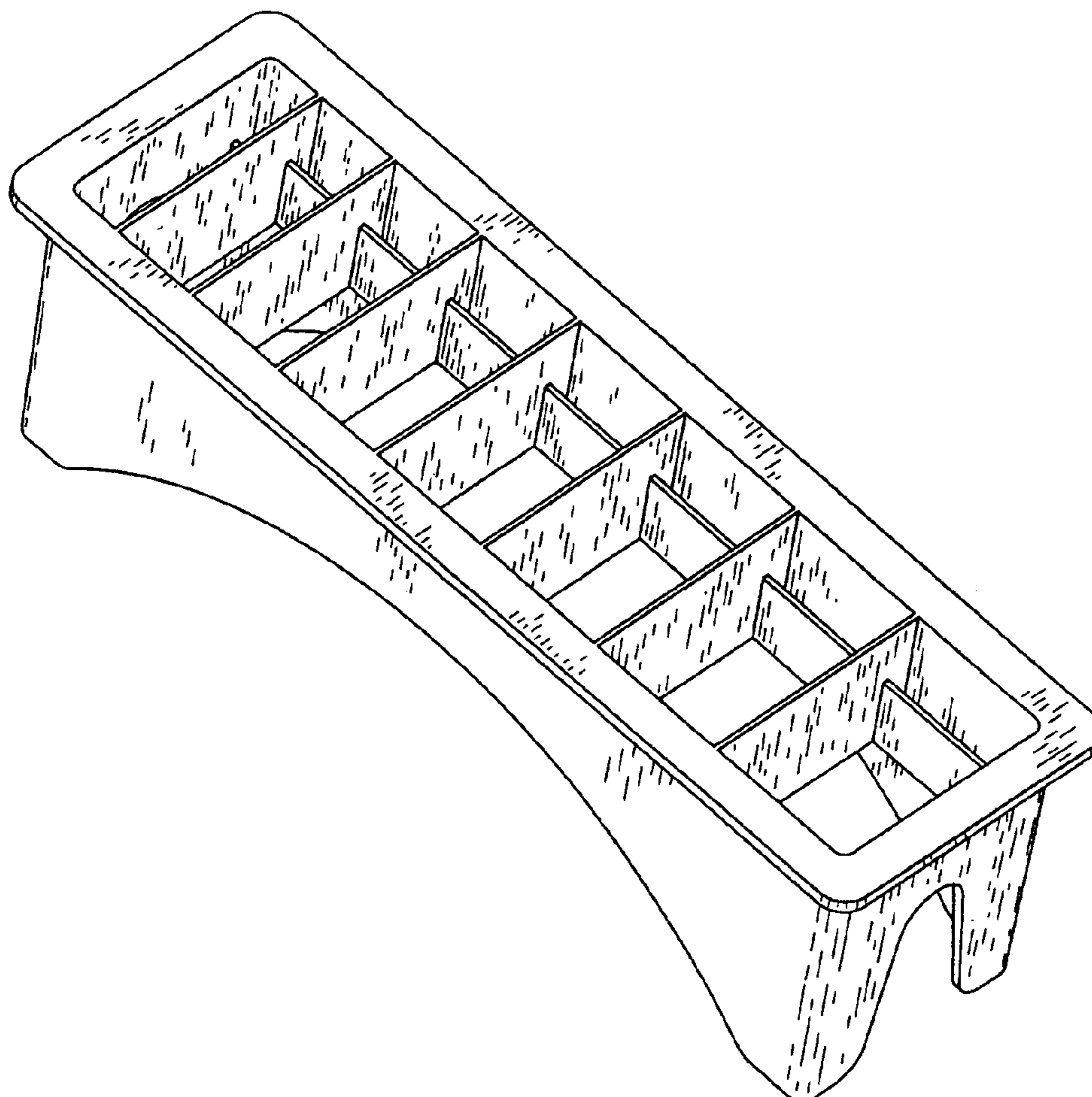
FIG. 2 is an overhead view of same;

FIG. 3 is a right side view of the comb holder of FIG. 1, both sides being identical;

FIG. 4 is a front view of the comb holder of FIG. 1, the front and rear views being identical; and,

FIG. 5 is a bottom view of same.

**1 Claim, 2 Drawing Sheets**



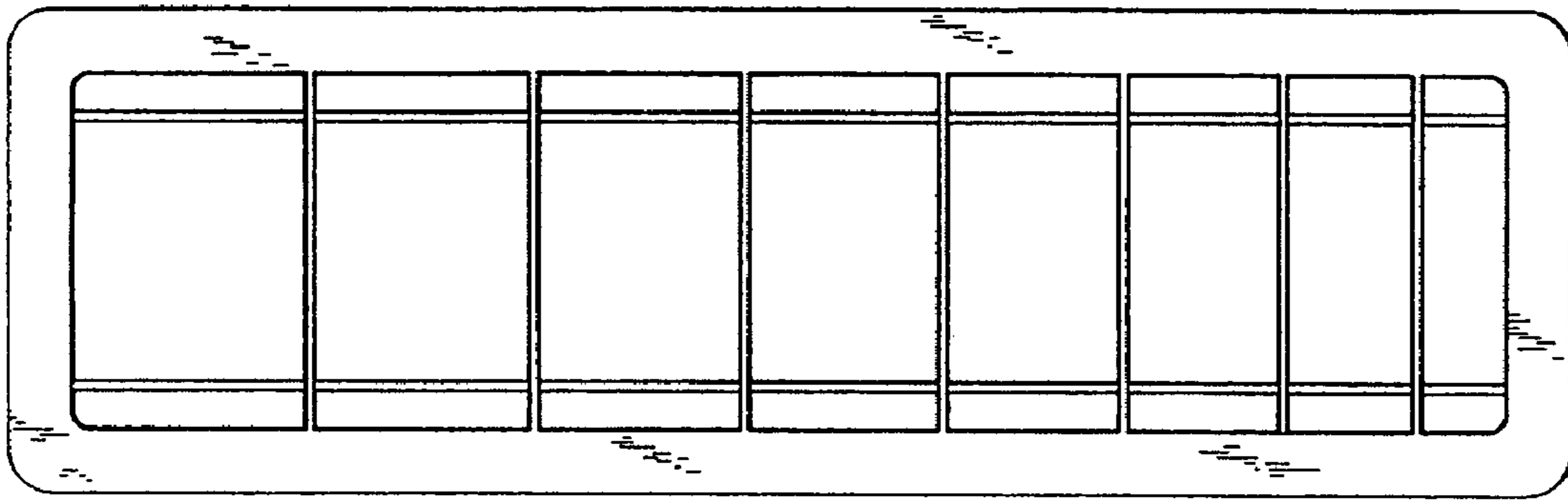


Fig. 2

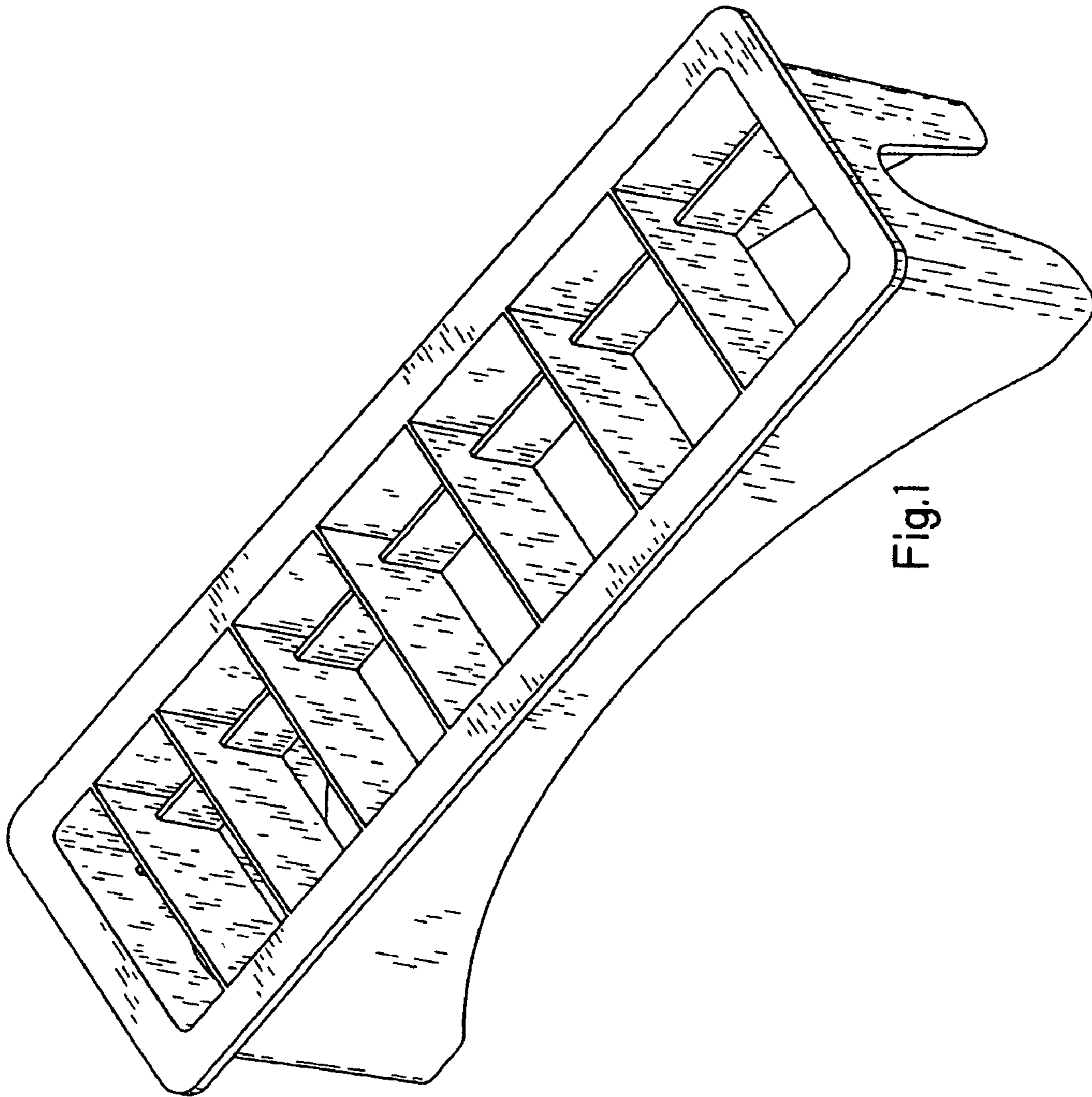


Fig. 1

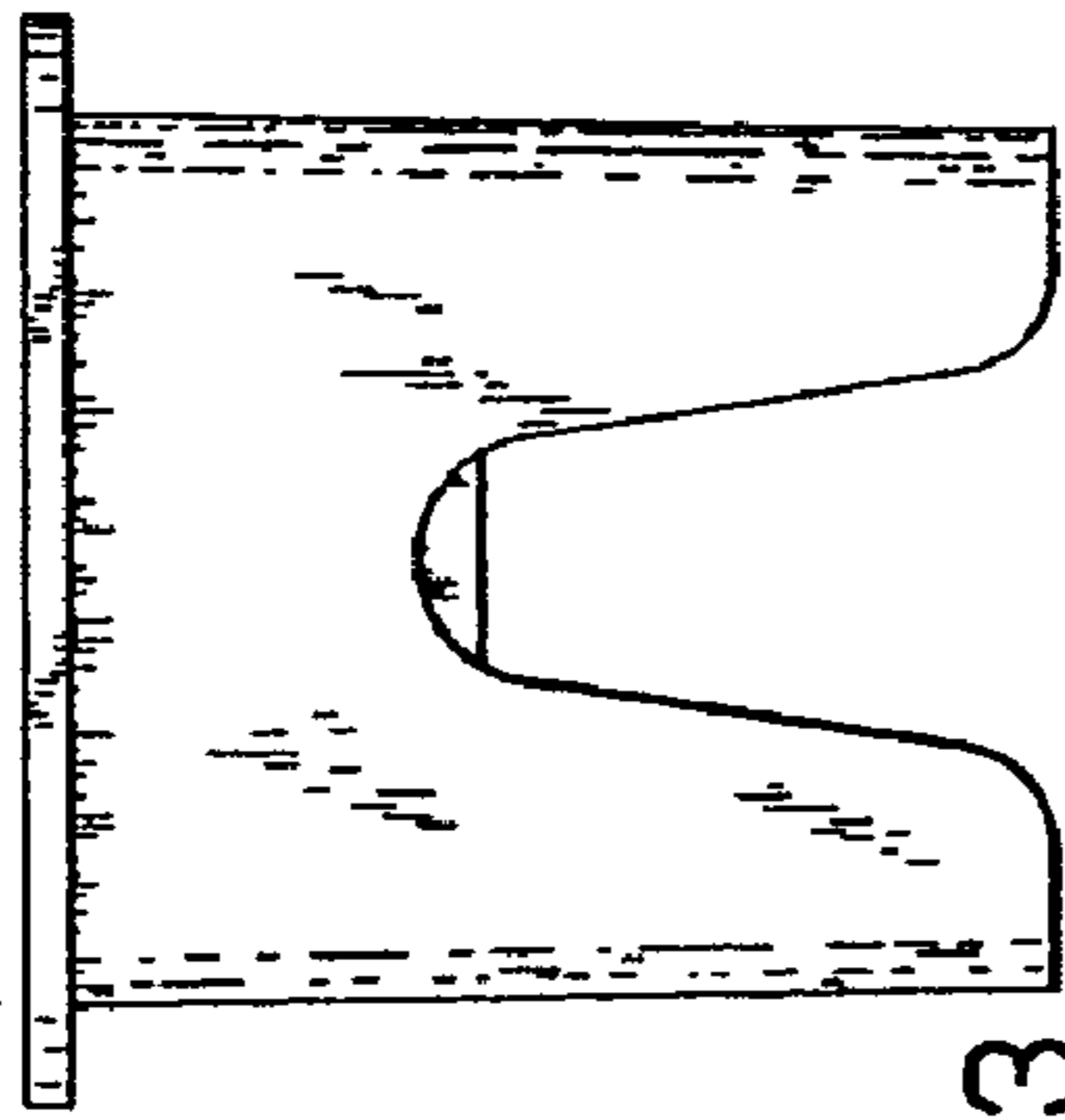


Fig. 3

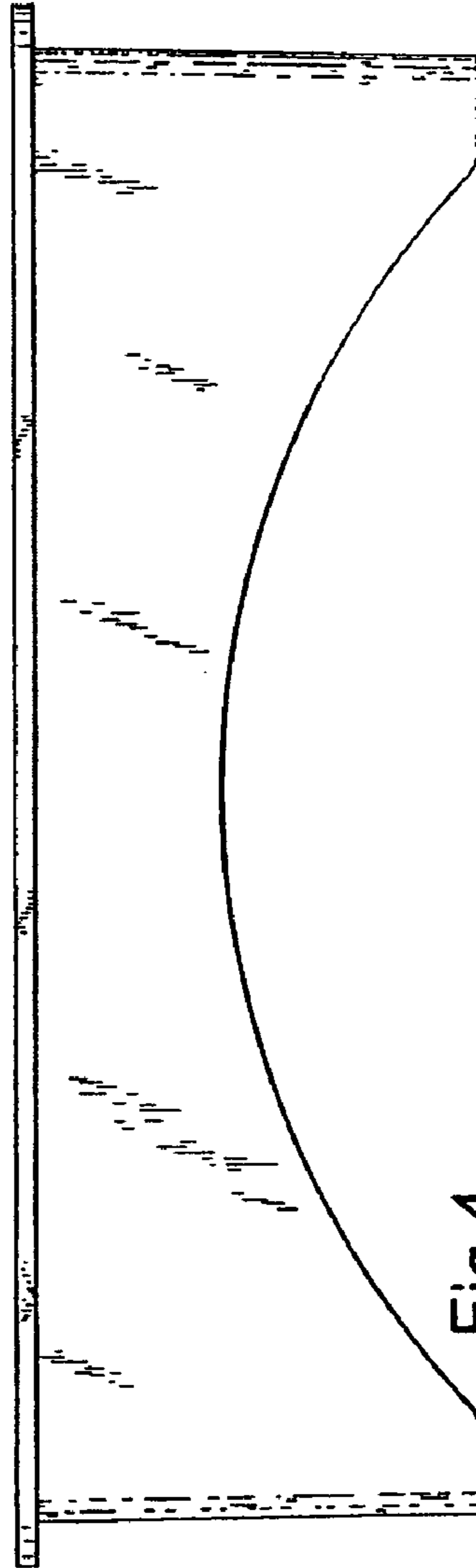


Fig. 4

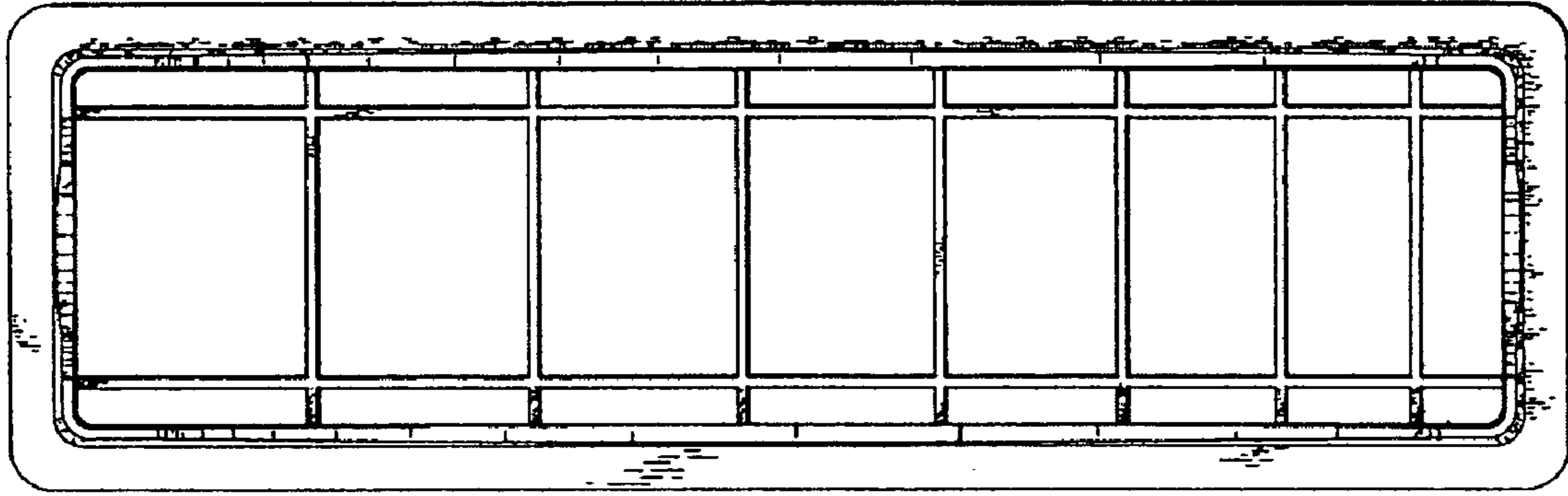


Fig. 5