



US00D548881S

(12) **United States Design Patent** (10) **Patent No.:** **US D548,881 S**
Wen (45) **Date of Patent:** **** Aug. 14, 2007**

(54) **FISHING POLE LIGHTER**

D377,676 S * 1/1997 Robbins et al. D22/138
D428,064 S * 7/2000 Roberts et al. D21/328

(75) Inventor: **Xu Wen**, El Monte, CA (US)

* cited by examiner

(73) Assignee: **Zreative Product Inc.**, El Monte, CA (US)

Primary Examiner—Jennifer Rivard
(74) *Attorney, Agent, or Firm*—Raymond Y. Chan; David and Raymond Patent Group

(**) Term: **14 Years**

(21) Appl. No.: **29/257,695**

(57) **CLAIM**

(22) Filed: **Apr. 10, 2006**

The ornamental design for a fishing pole lighter, as shown.

(51) **LOC (8) Cl.** **27-05**

(52) **U.S. Cl.** **D27/148**

(58) **Field of Classification Search** D27/148,
D27/154; D22/137–142; D21/328; 431/125,
431/253

See application file for complete search history.

DESCRIPTION

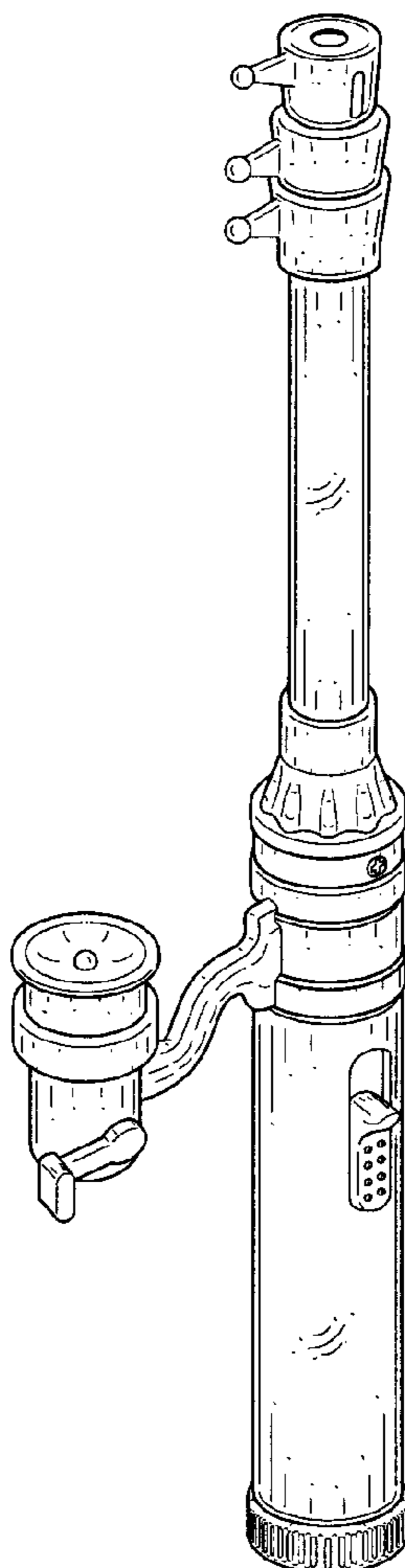
FIG. 1 is a perspective view showing my new design.
FIG. 2 is a front view thereof.
FIG. 3 is a rear view thereof.
FIG. 4 is a right end view thereof.
FIG. 5 is a left end view thereof.
FIG. 6 is a top view thereof; and,
FIG. 7 is a bottom view thereof.

(56) **References Cited**

U.S. PATENT DOCUMENTS

D306,638 S * 3/1990 Lerch D22/137
D377,385 S * 1/1997 Jennings D22/138

1 Claim, 7 Drawing Sheets



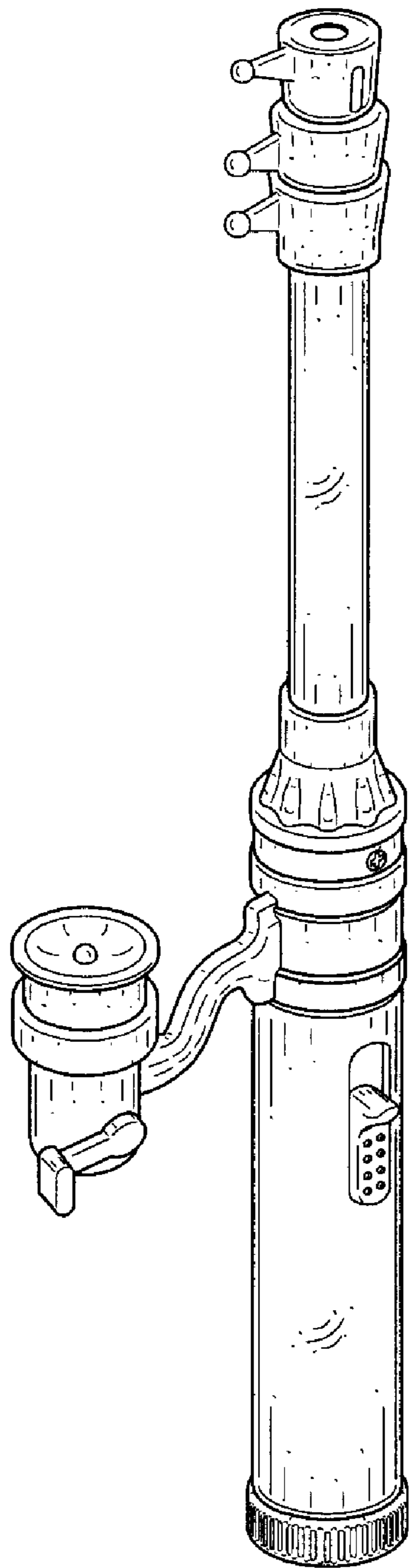


FIG. 1

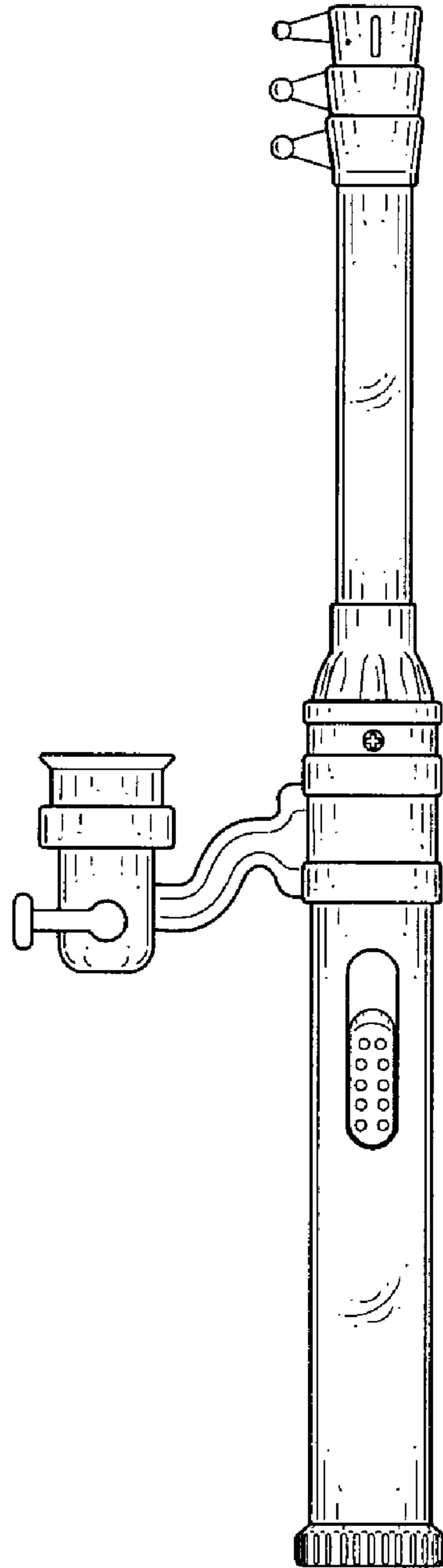


FIG.2

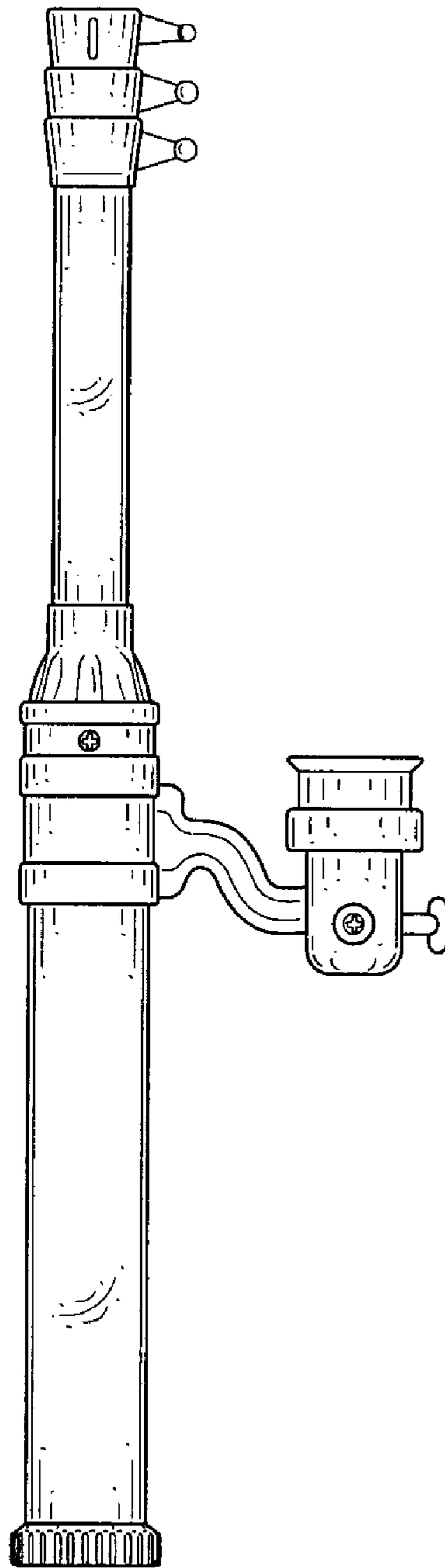


FIG. 3

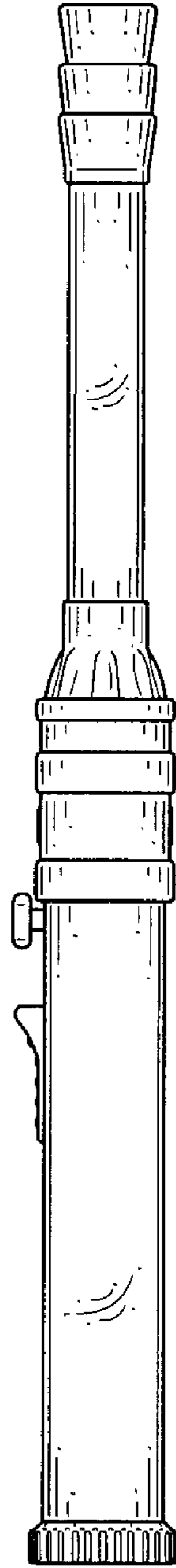


FIG. 4

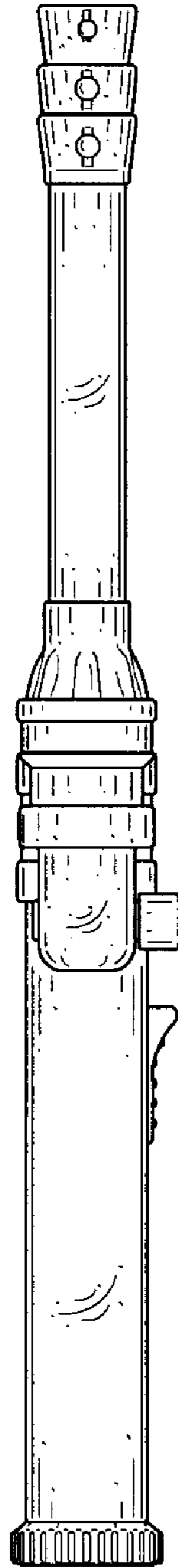


FIG. 5

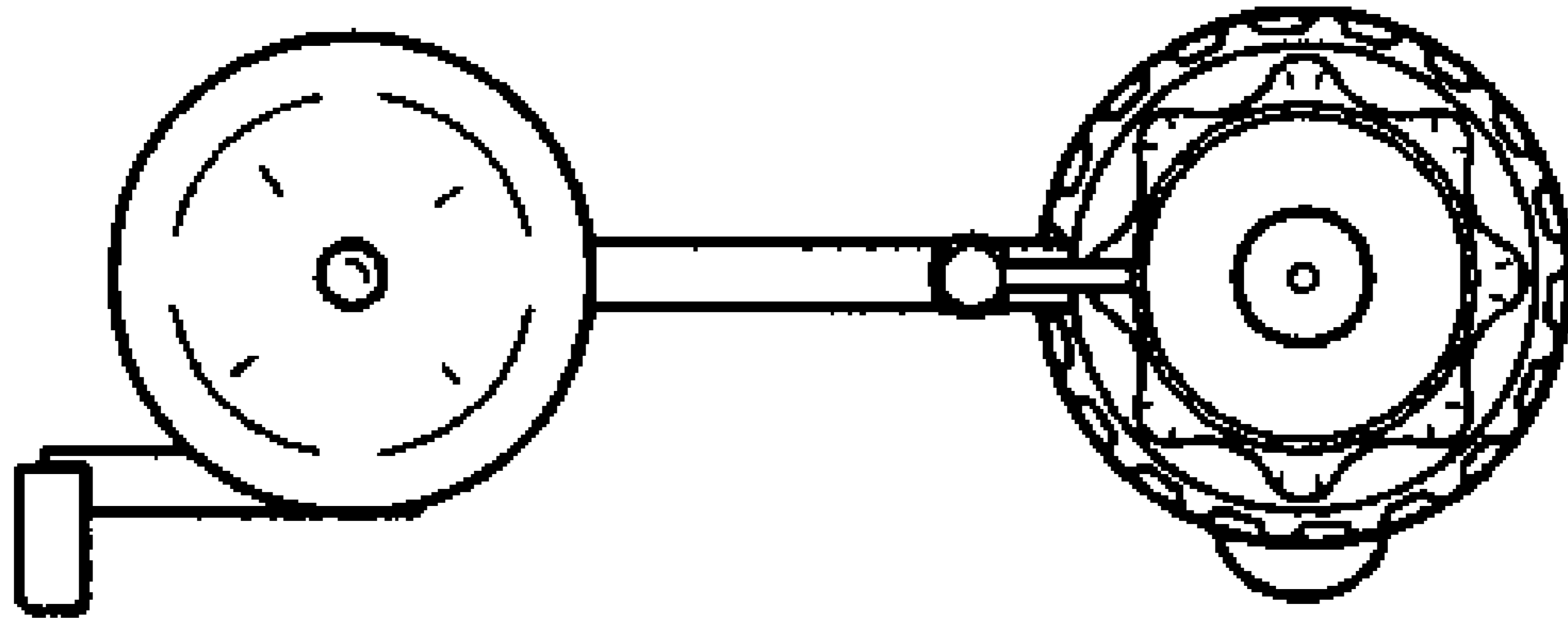


FIG. 6

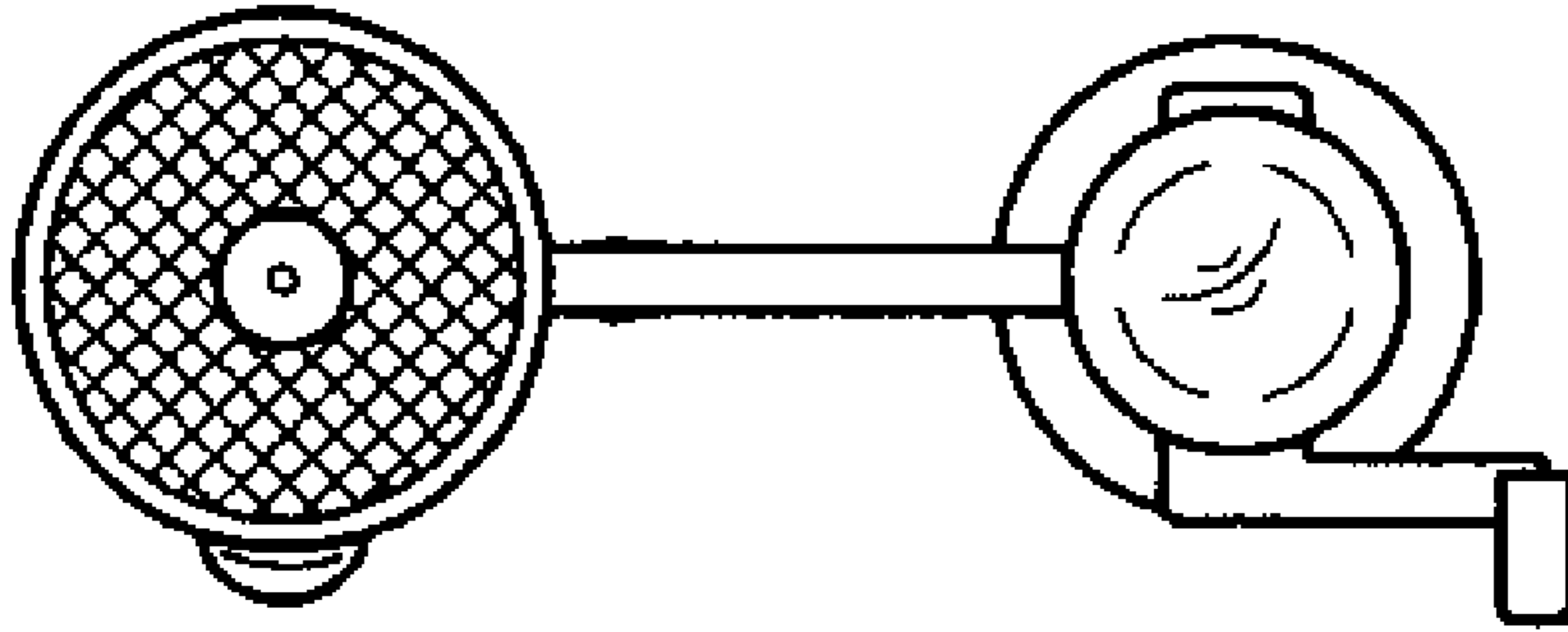


FIG. 7