

US00D548878S

(12) **United States Design Patent** (10) **Patent No.:** **US D548,878 S**
Rupp (45) **Date of Patent:** **** Aug. 14, 2007**

(54) **MARINE VEHICLE CAMPING LIGHT ADAPTER**

D435,685 S * 12/2000 Lelm D26/138
 6,231,218 B1 5/2001 Esprit
 D445,946 S * 7/2001 Kleinsasser D26/138

(76) Inventor: **Michael Anthony Rupp**, 718 S. Topeka, Ness City, KS (US) 67560

(Continued)

(**) Term: **14 Years**

Primary Examiner—Freda S. Nunn
Assistant Examiner—Kevin K. Rudzinski
 (74) *Attorney, Agent, or Firm*—Barber Legal; Craig Barber

(21) Appl. No.: **29/208,771**

(22) Filed: **Jul. 2, 2004**

(57) **CLAIM**

(51) **LOC (8) Cl.** **26-99**

The ornamental design for a marine vehicle camping light adapter, as shown and described.

(52) **U.S. Cl.** **D26/138**

(58) **Field of Classification Search** D26/138, D26/139, 141, 142, 153, 155, 140, 148, 147; 248/530, 121; 43/21.2

DESCRIPTION

See application file for complete search history.

FIG. 1 is a right side view of the marine vehicle camping light adapter of the present invention wearing a foot with stakes for use on land.

(56) **References Cited**

U.S. PATENT DOCUMENTS

713,364	A	11/1902	Uhtenhart	
1,079,808	A	11/1913	Spangenberg	
1,104,352	A	7/1914	Erlandsson	
1,211,527	A *	1/1917	Berndt	108/8
3,008,679	A	11/1961	Powell	
3,333,807	A *	8/1967	Locatelli	248/231.71
3,341,163	A	9/1967	Honig	
3,752,108	A	8/1973	Bovenzi	
3,843,082	A	10/1974	Garrett	
3,969,620	A	7/1976	Brooks	
4,515,335	A	5/1985	DeRosett	
D290,659	S *	6/1987	Patey	D26/138
D291,011	S *	7/1987	Fleming	D26/138
D294,402	S *	2/1988	Foster et al.	D26/140
4,938,446	A *	7/1990	Williams	248/530
5,142,457	A	8/1992	Wehner	
D344,321	S *	2/1994	DeWitt	D22/148
D346,240	S *	4/1994	Dickens et al.	D26/138
5,323,991	A *	6/1994	West	248/121
5,370,348	A	12/1994	Toth	
5,508,895	A	4/1996	Wagoner, Jr.	
D376,443	S *	12/1996	Porter	D26/138
D393,921	S *	4/1998	Cicoello et al.	D26/138
D394,300	S *	5/1998	Samuels et al.	D22/148
5,860,410	A	1/1999	Hollingsworth, Jr.	

FIG. 2 is a left side view of the marine vehicle camping light adapter of the present invention wearing a foot with stakes for use on land.

FIG. 3 is a bottom view of the marine vehicle camping light adapter of the present invention wearing a foot with stakes for use on land.

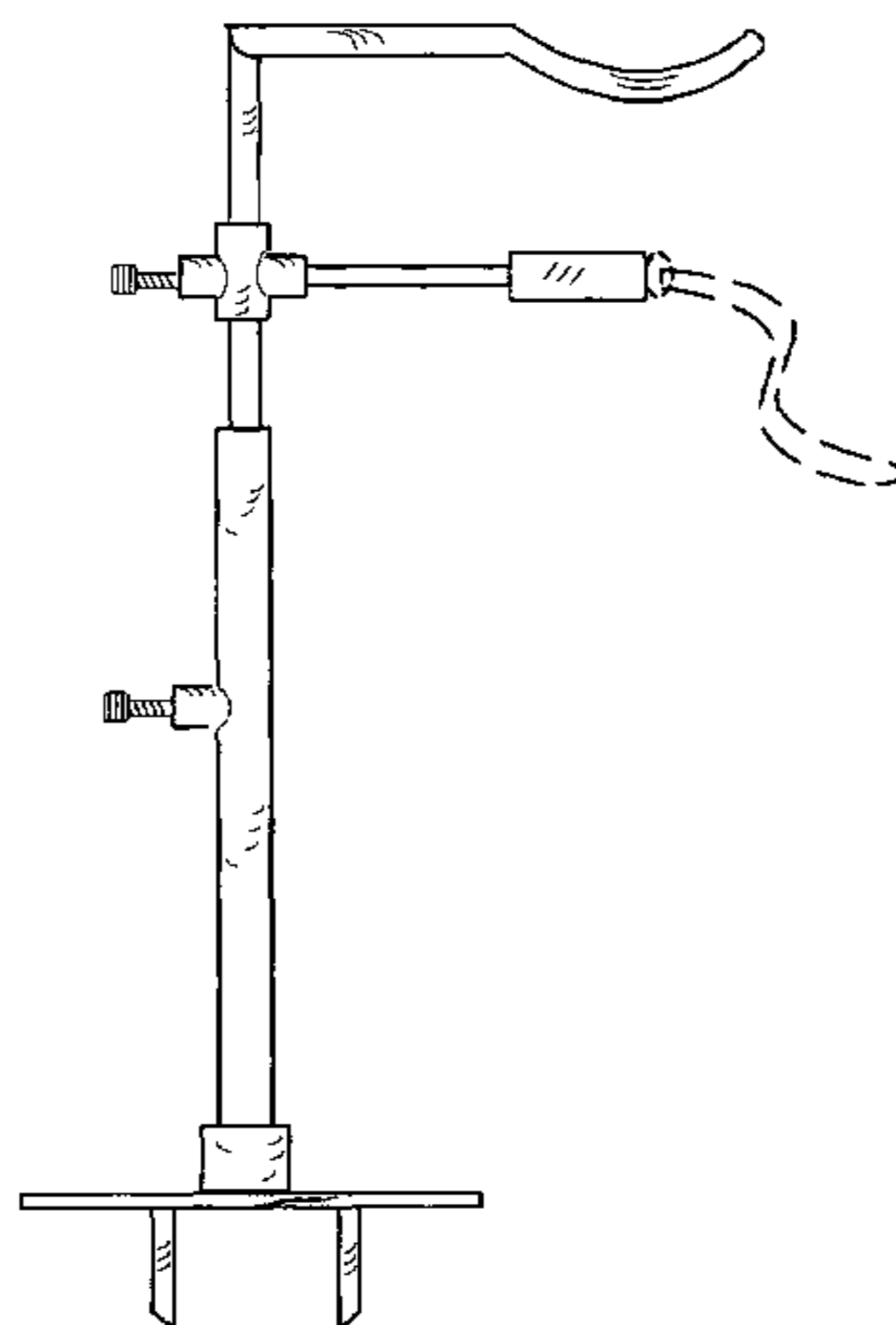
FIG. 4 is a top view of the marine vehicle camping light adapter of the present invention wearing a foot with stakes for use on land.

FIG. 5 is a front view of the marine vehicle camping light adapter of the present invention wearing a foot with stakes for use on land; and,

FIG. 6 is a back view of the marine vehicle camping light adapter of the present invention wearing a foot with stakes for use on land.

Elements depicted by dotted lines are not part of the invention. Shading has been minimized to clarify narrow elongated parts. In the case of fabric shading, a bitmap image of the shading presented in the illustrations of MPEP Chapter 608.02 is used, substantially reduced in size due to the small size of the strap shaded therewith.

1 Claim, 6 Drawing Sheets



US D548,878 S

Page 2

U.S. PATENT DOCUMENTS

D448,447 S *	9/2001	Sheppard	D22/147	6,499,867 B1	12/2002	Neal	
6,394,634 B2	5/2002	Kitchin		6,588,723 B1 *	7/2003	Moran, III	248/530
6,490,823 B1 *	12/2002	Ibarra	43/21.2	D492,813 S *	7/2004	Meoli	D26/138

* cited by examiner

Fig. 1

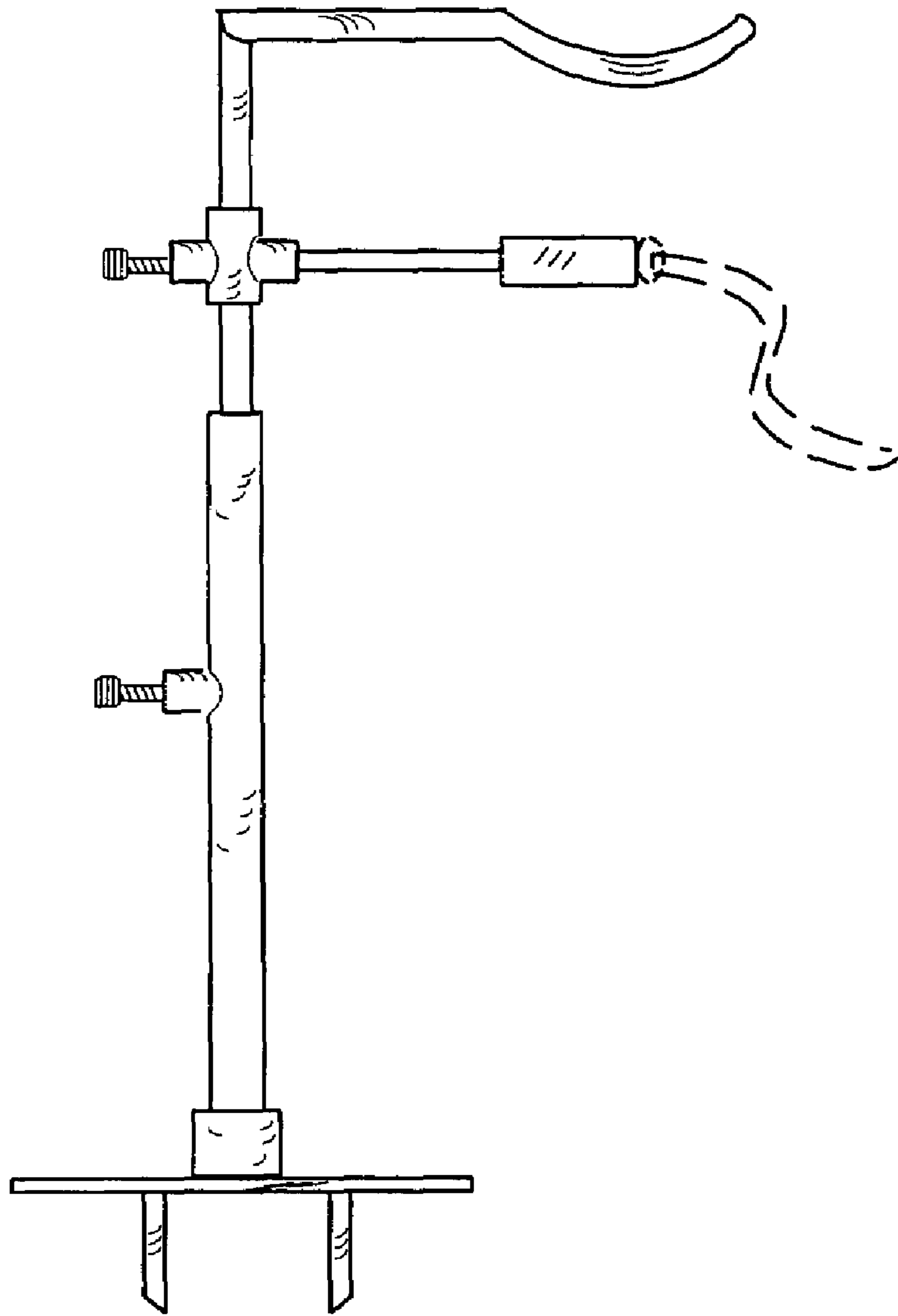
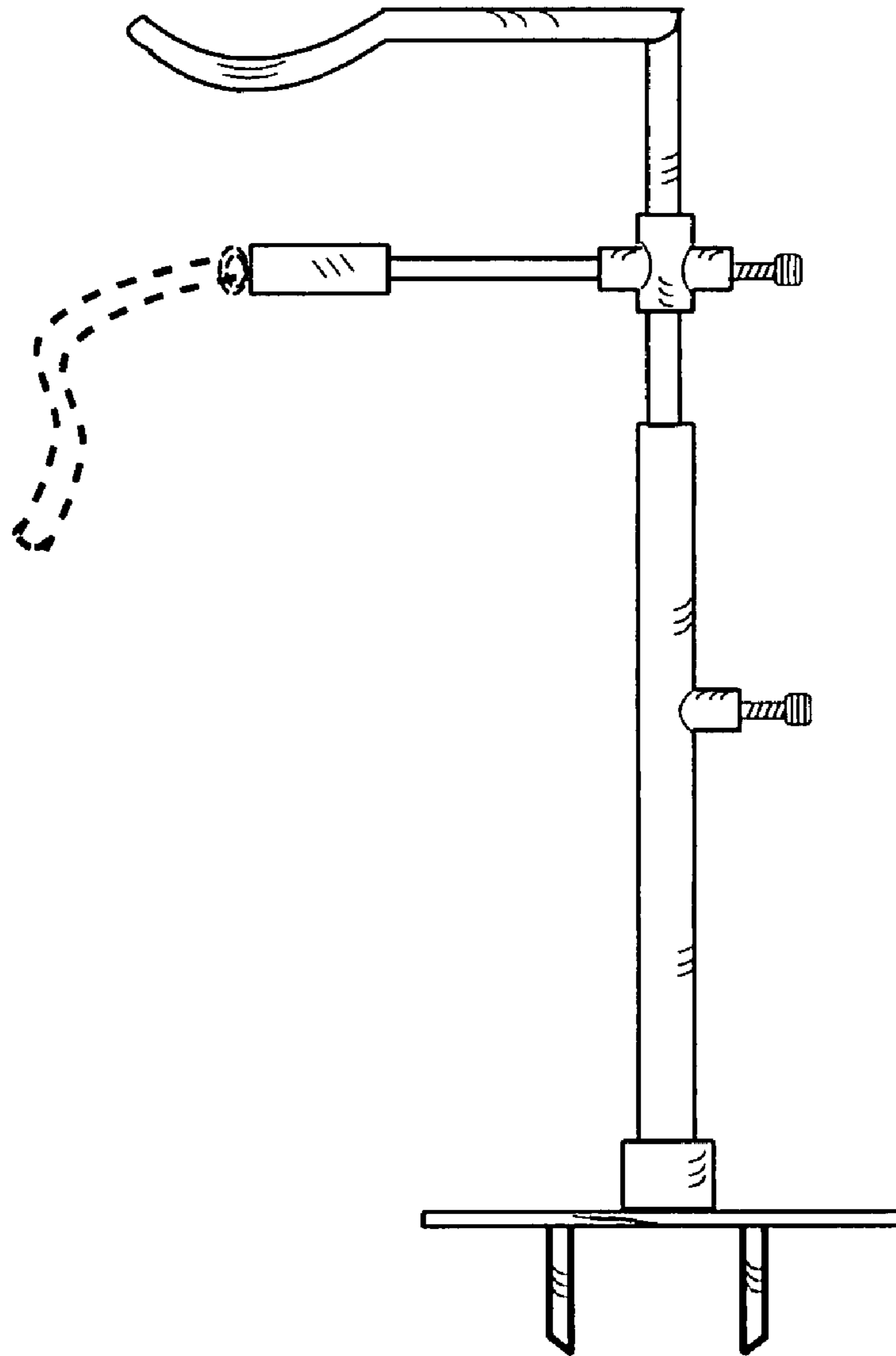


Fig. 2



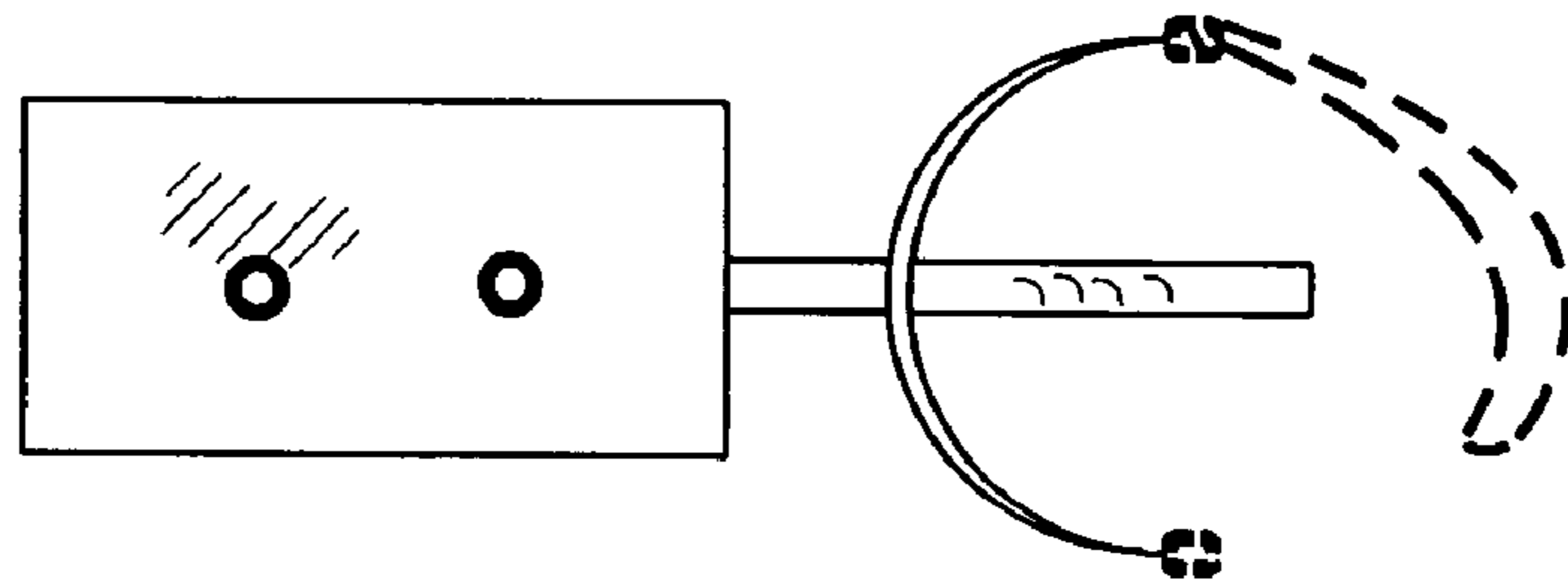


Fig. 3

Fig. 4

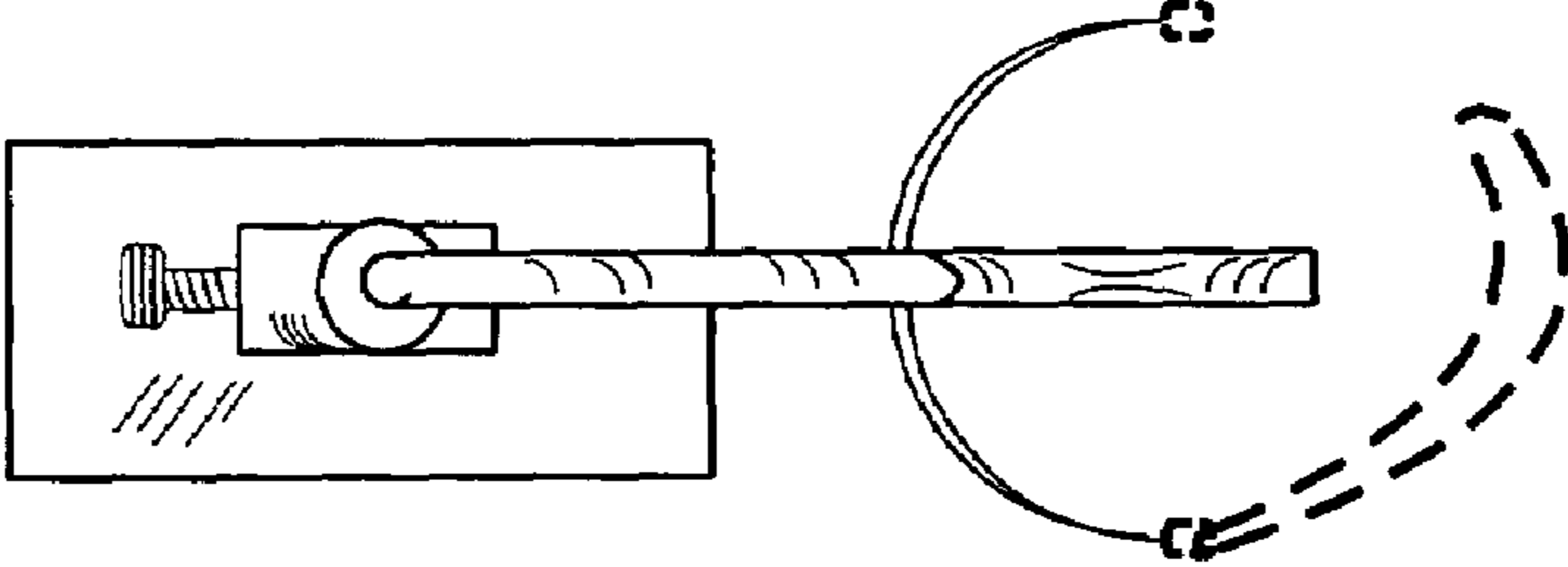


Fig. 5

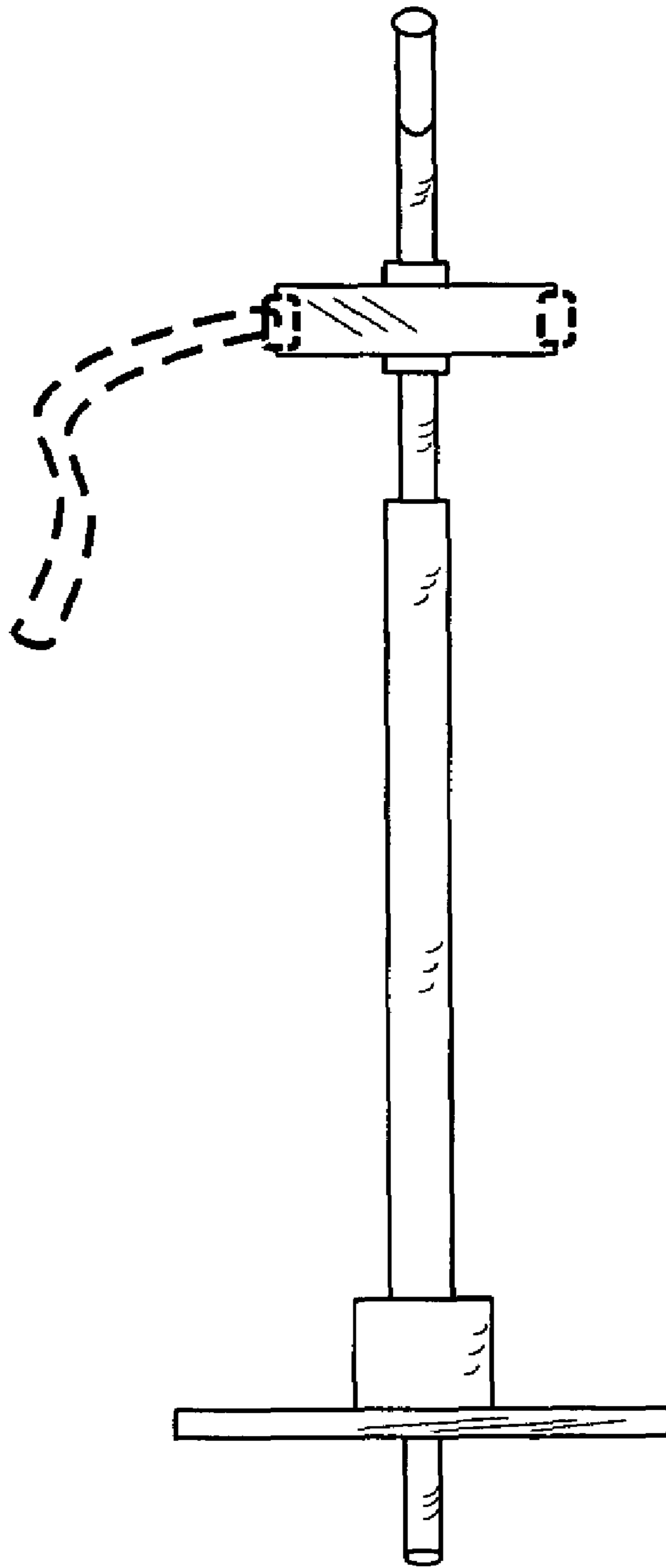


Fig. 6

