

US00D548875S

(12) **United States Design Patent**
Schieber

(10) **Patent No.:** **US D548,875 S**

(45) **Date of Patent:** **** Aug. 14, 2007**

(54) **LAMP SHADE**

(76) Inventor: **Joerg Schieber**, Rosengartenstrasse 96,
Stuttgart (DE) 70184

(**) Term: **14 Years**

(21) Appl. No.: **29/245,406**

(22) Filed: **Dec. 22, 2005**

(51) **LOC (8) Cl.** **26-03**

(52) **U.S. Cl.** **D26/93**

(58) **Field of Classification Search** D26/93-112,
D26/118, 119, 128-138; 362/311, 317, 351-361,
362/410-414, 806, 362

See application file for complete search history.

(56) **References Cited**

U.S. PATENT DOCUMENTS

103,885 A *	6/1870	Holt	362/351
D177,631 S *	5/1956	Lagin	D26/105
D244,875 S *	6/1977	Baca	D26/105
D365,406 S *	12/1995	Kan	D26/111

* cited by examiner

Primary Examiner—Alan P. Douglas

Assistant Examiner—Linda Brooks

(74) *Attorney, Agent, or Firm*—Smith, Gambrell & Russell
LLP

(57) **CLAIM**

The ornamental design for a lamp shade, as shown and
described.

DESCRIPTION

FIG. 1 is a perspective view of a lamp shade of the present
invention;

FIG. 2 is a top plan view thereof;

FIG. 3 is a bottom view thereof;

FIG. 4 is a front view thereof;

FIG. 5 is a right side view thereof;

FIG. 6 is a left side view thereof;

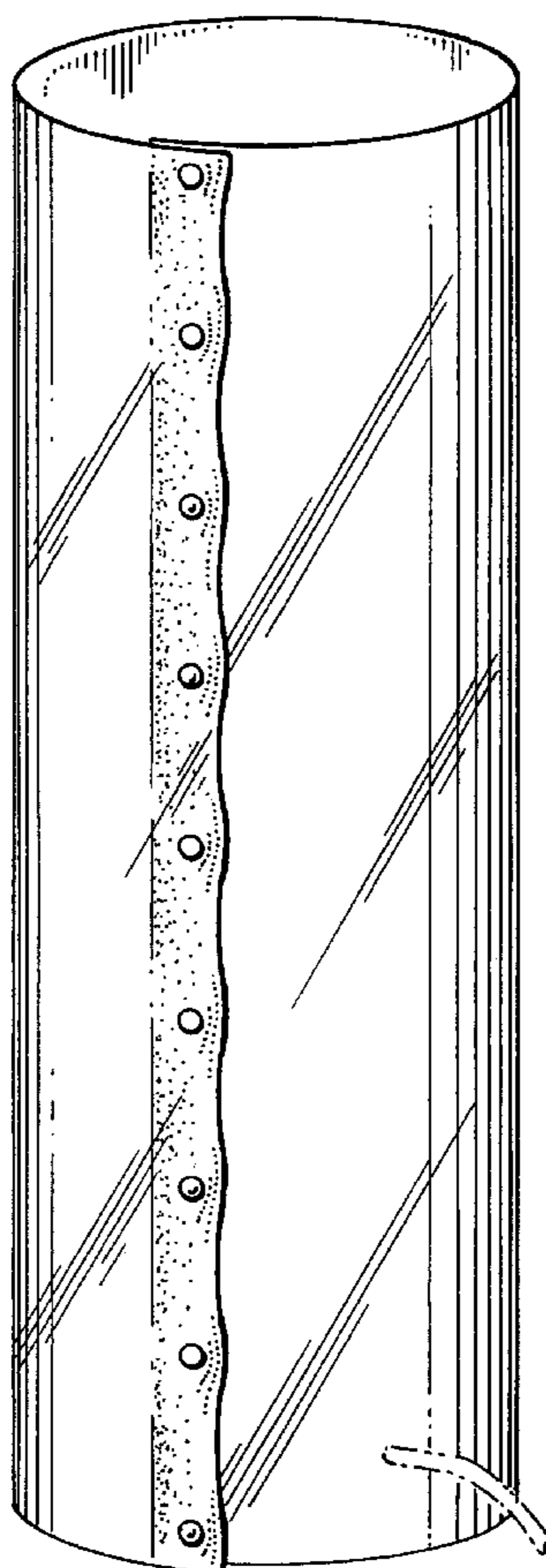
FIG. 7 is a rear view thereof;

FIG. 8 is a front view of an alternate embodiment of the
lamp shade, the sole difference being that the lamp shade is
of indeterminate height; and,

FIG. 9 is a right side view of FIG. 8.

The broken lines shown in the drawing are for illustrative
purposes only and form no part of the claimed design.

1 Claim, 4 Drawing Sheets



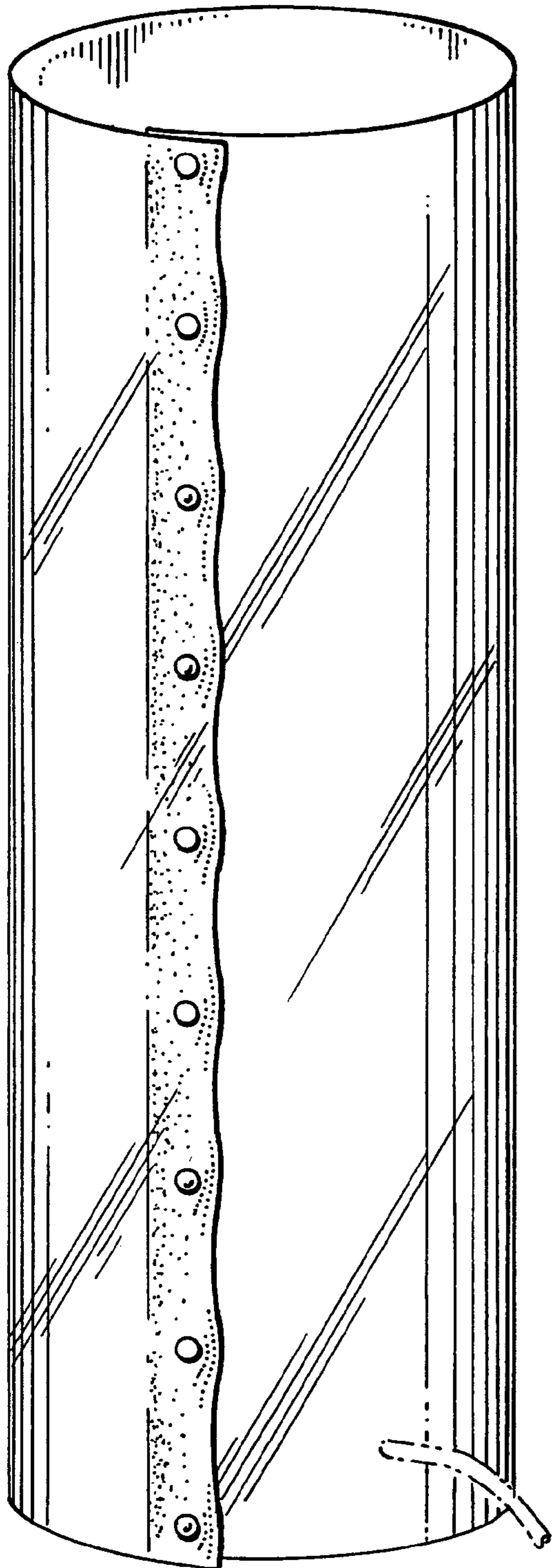


Fig. 1

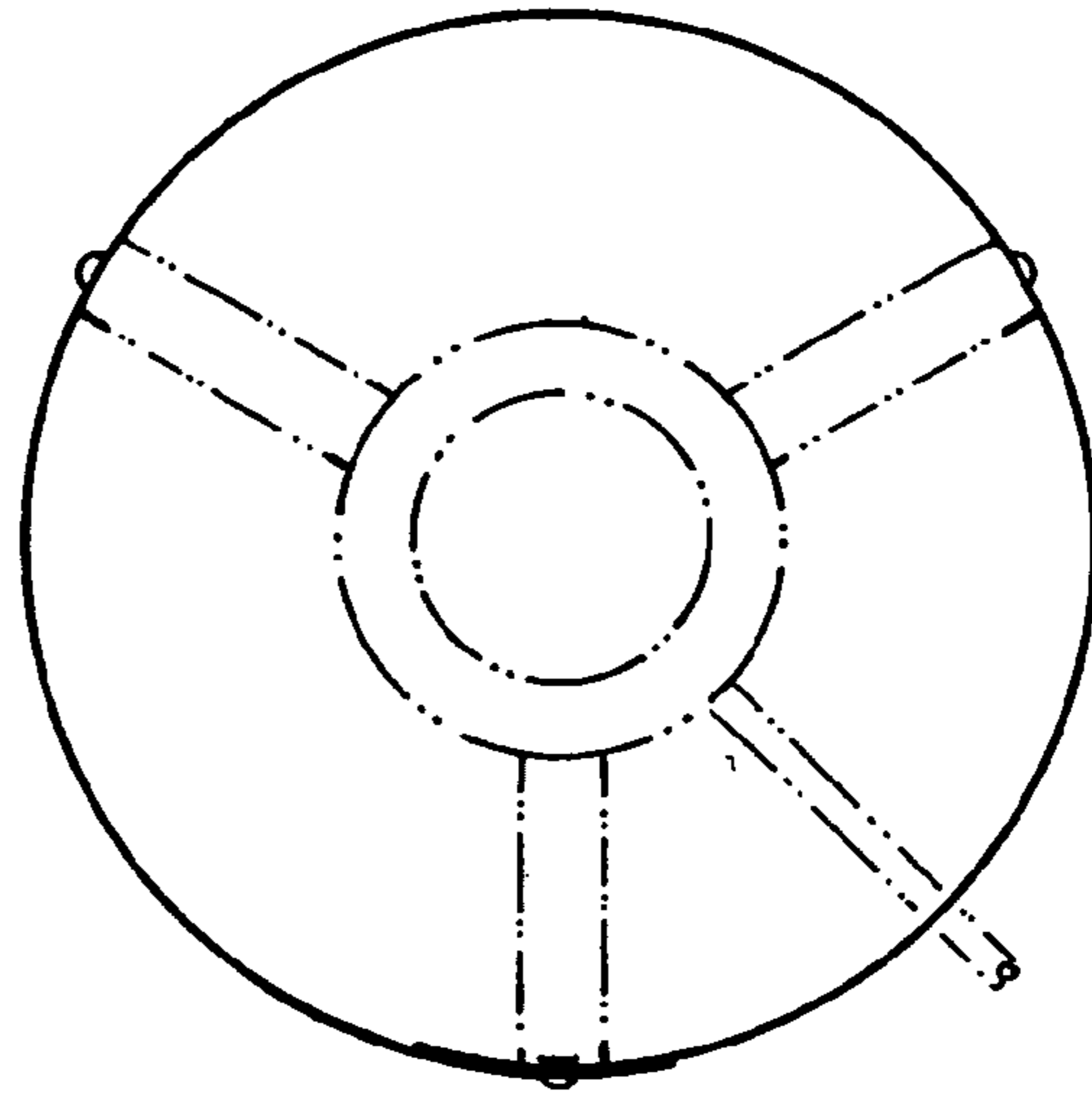


Fig. 2

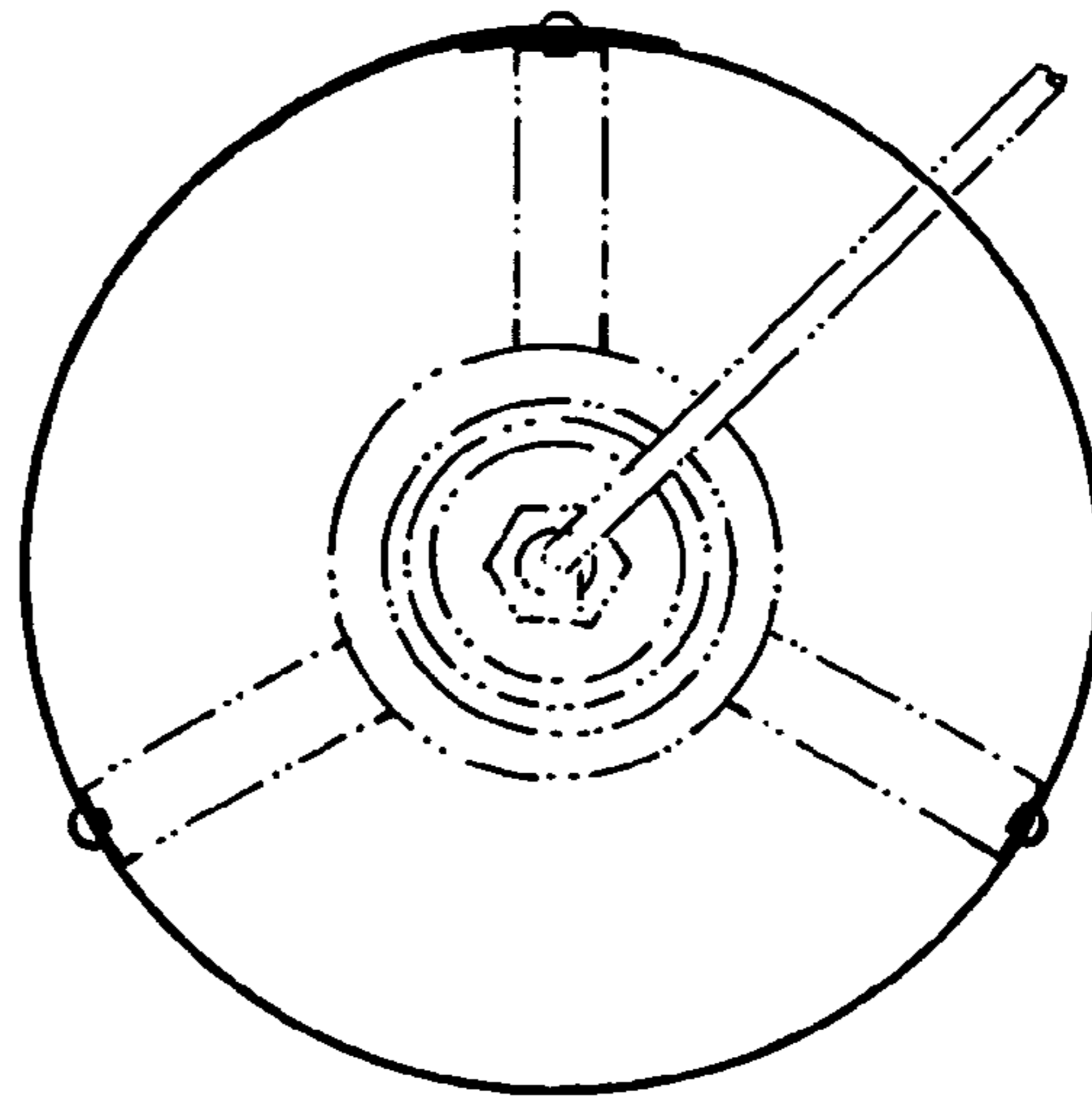


Fig. 3

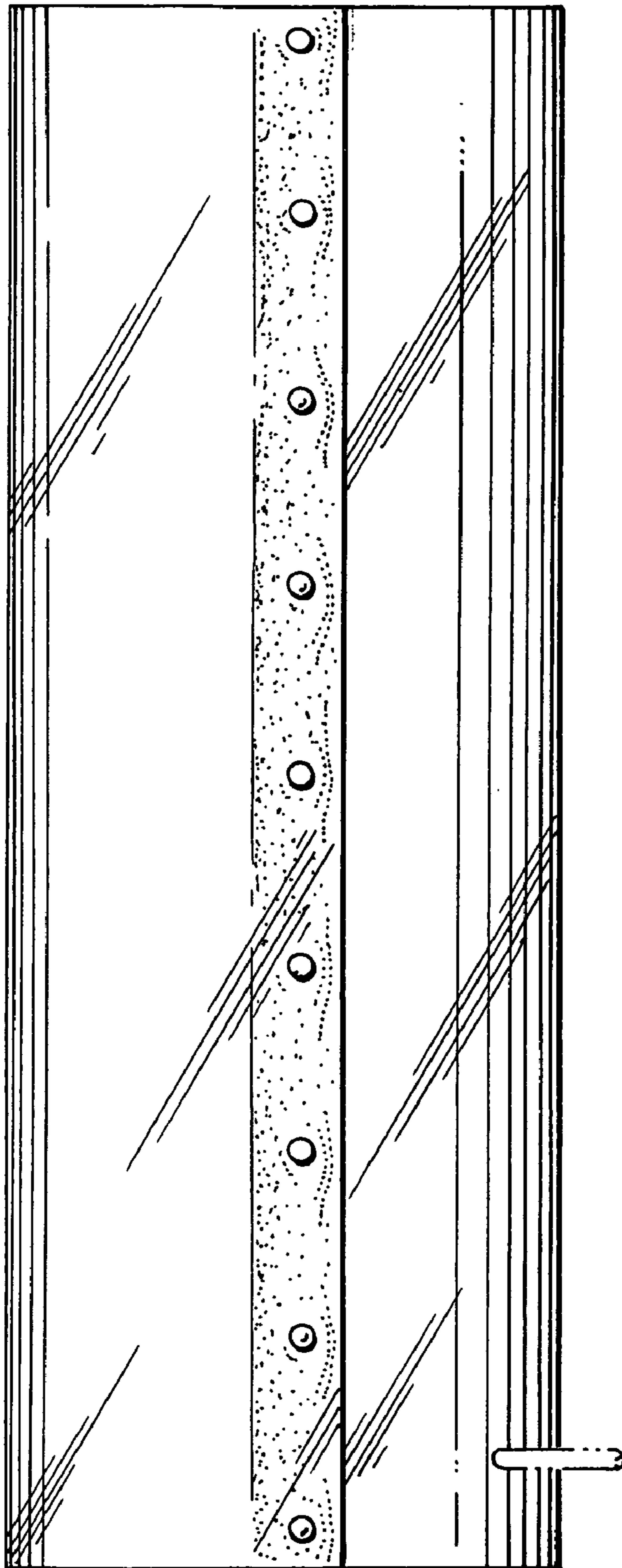


Fig. 4

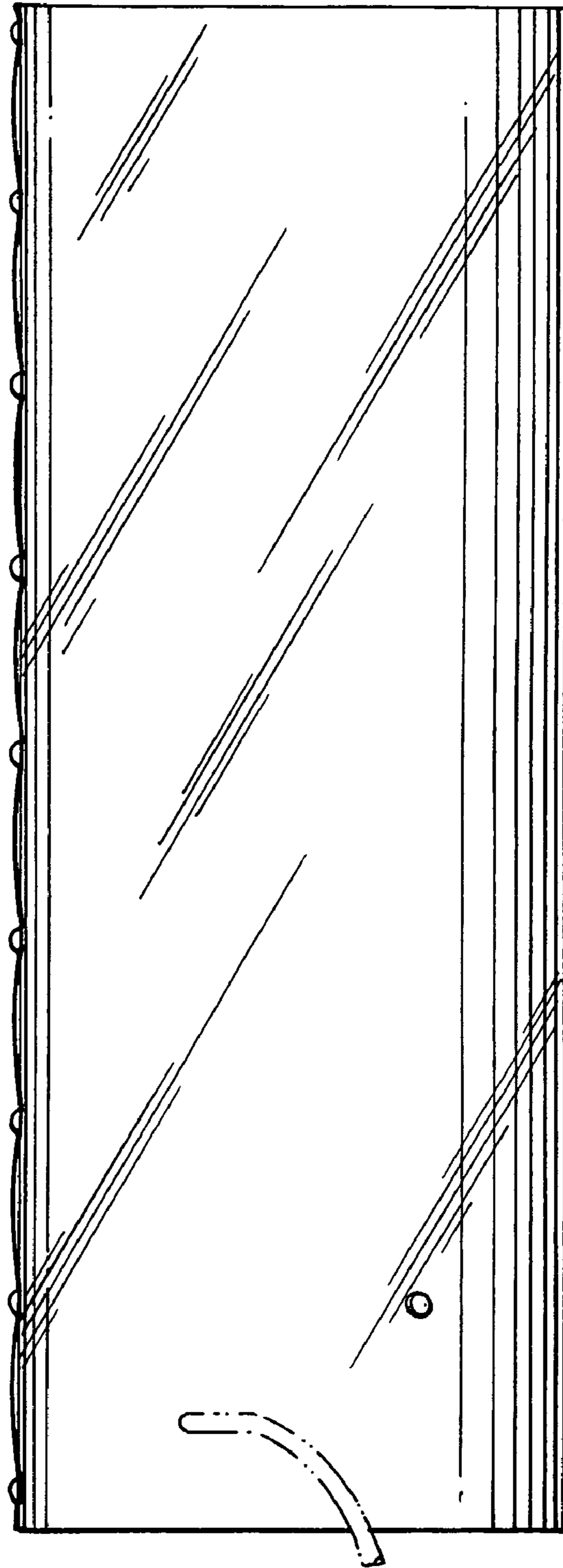


Fig. 5

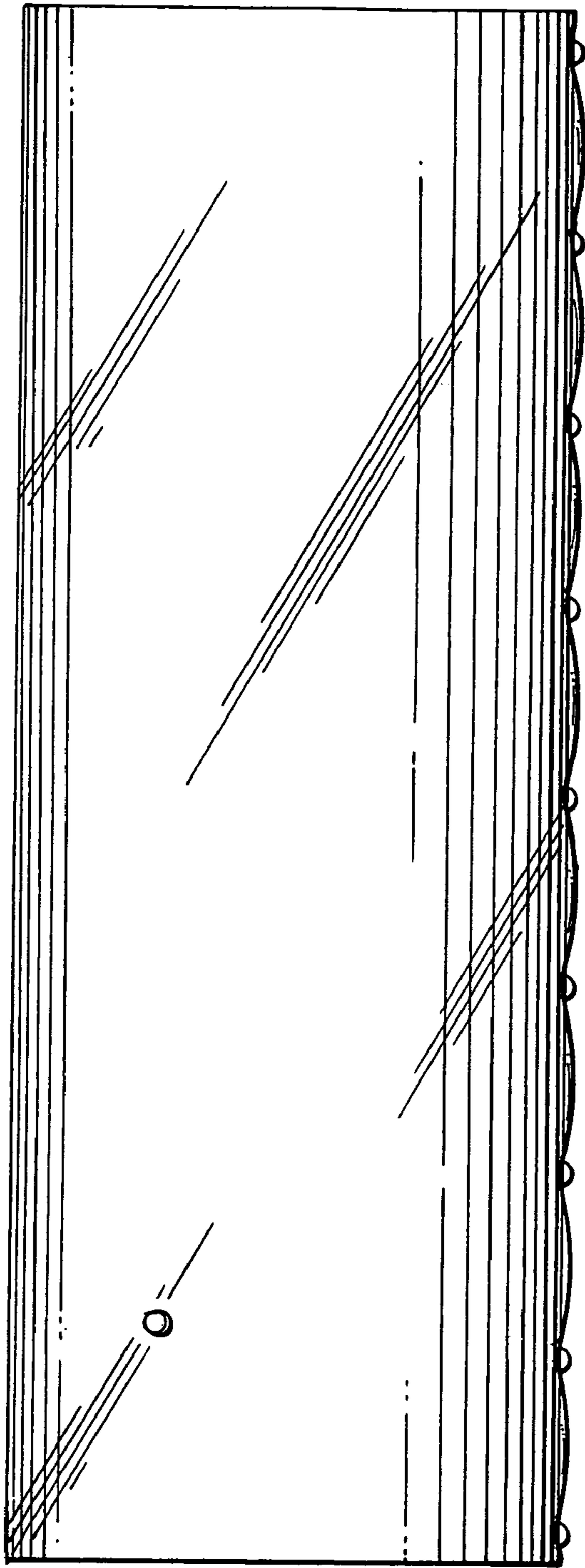


Fig. 6

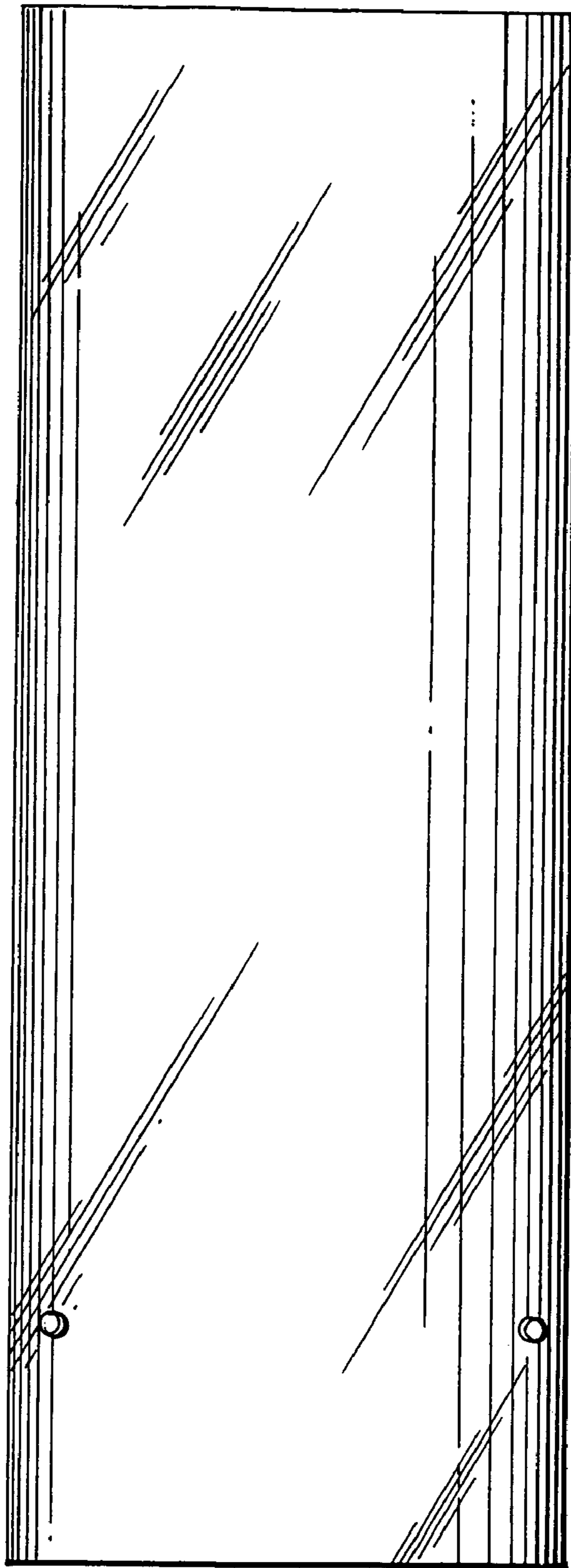


Fig. 7

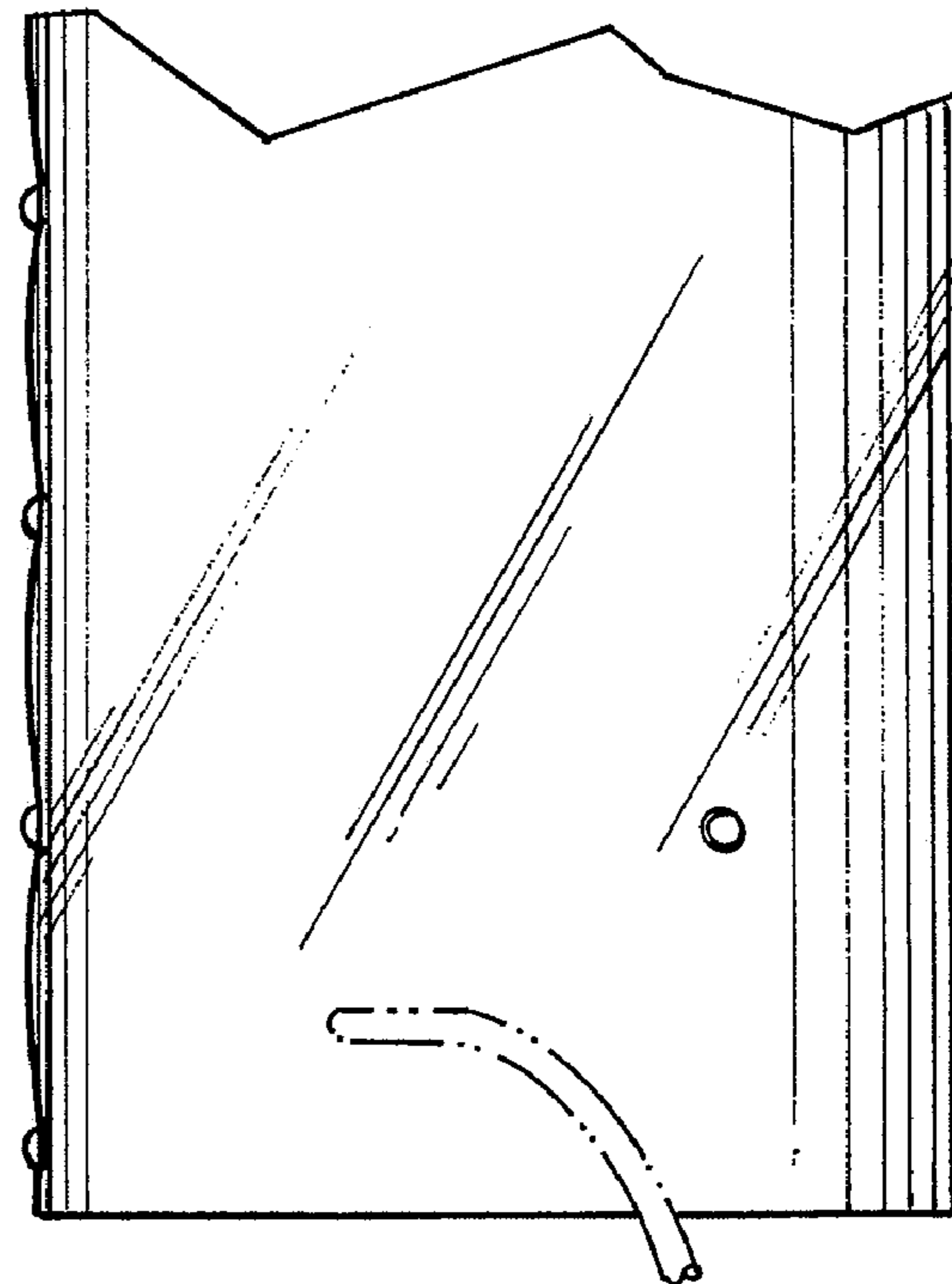
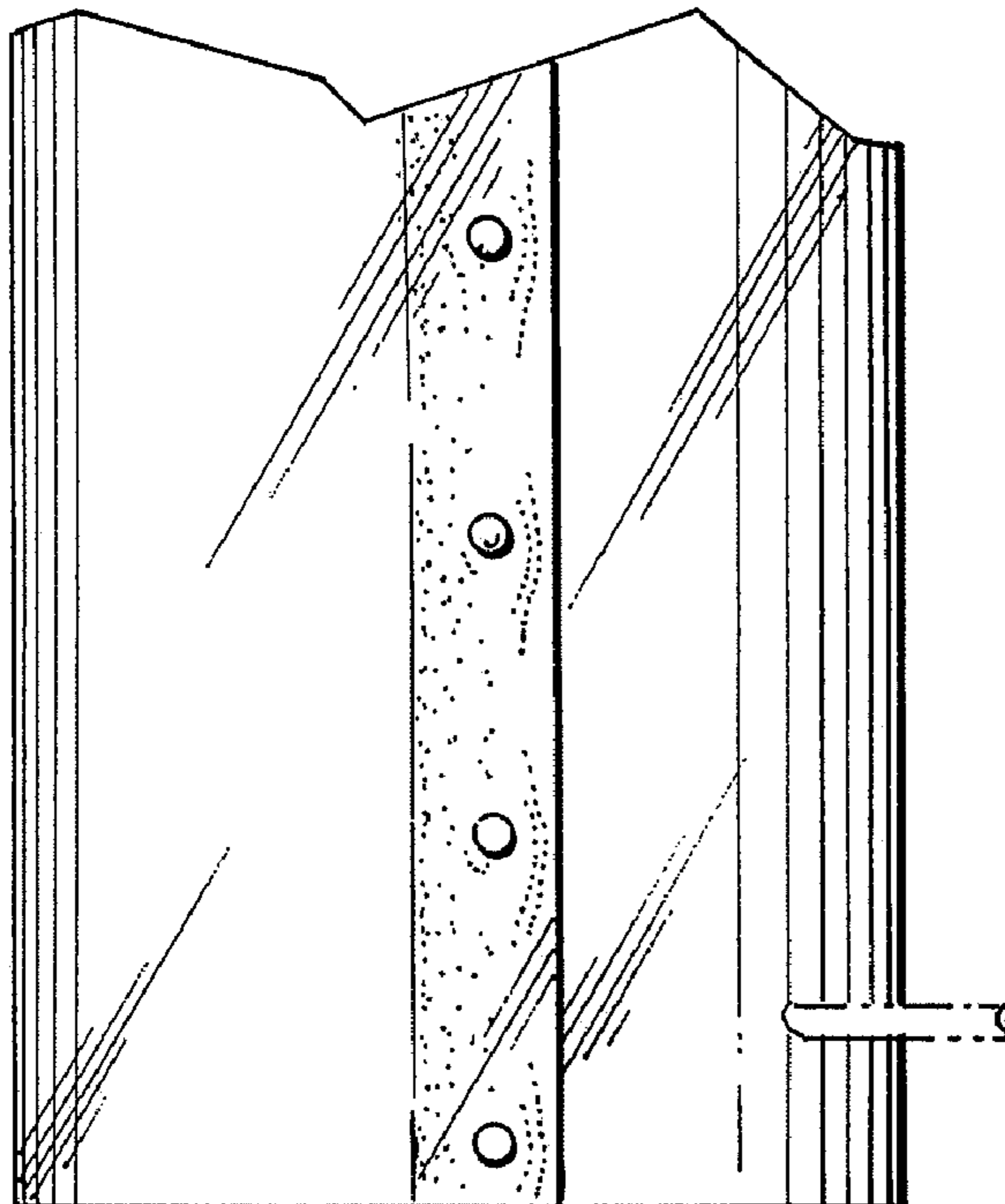
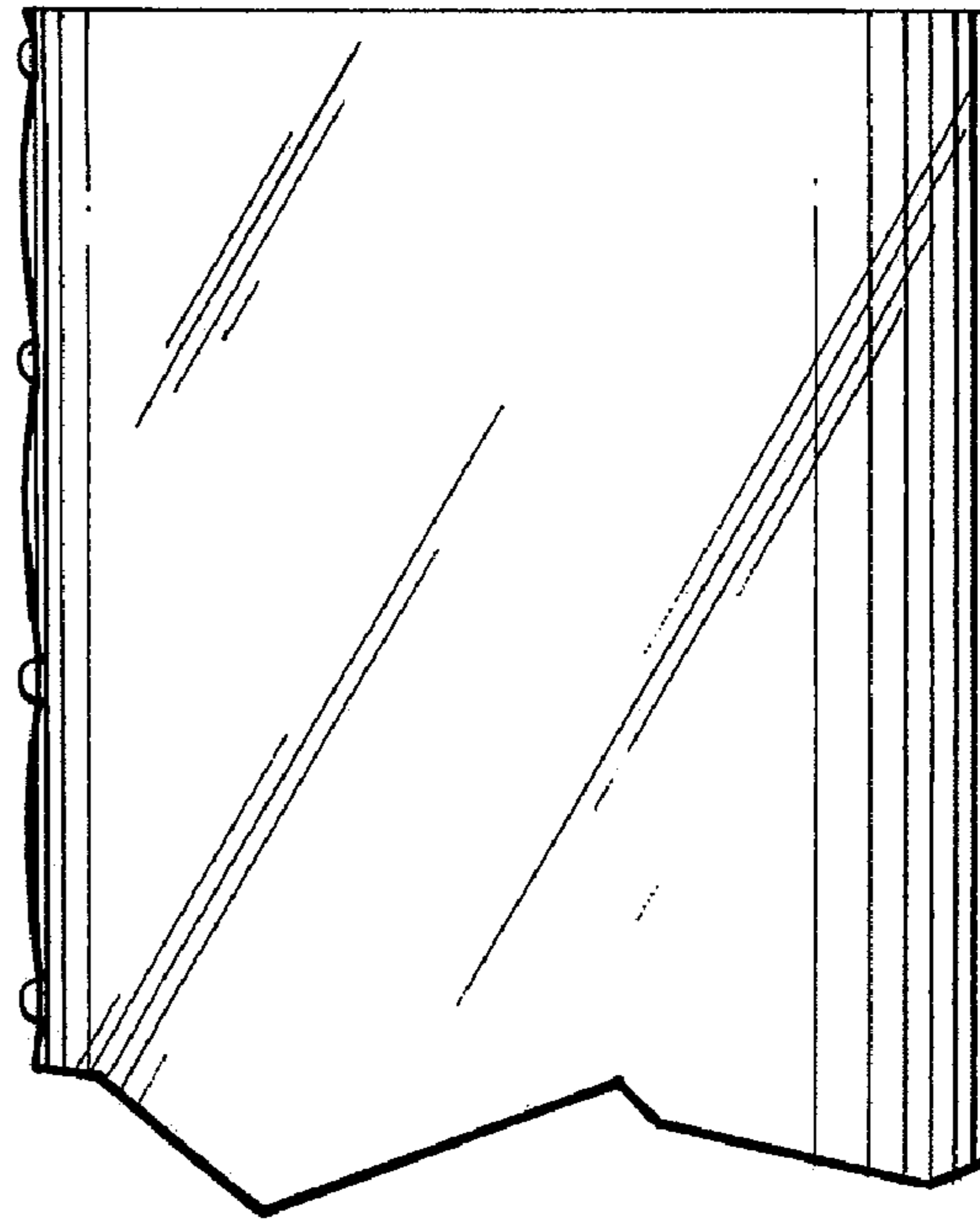
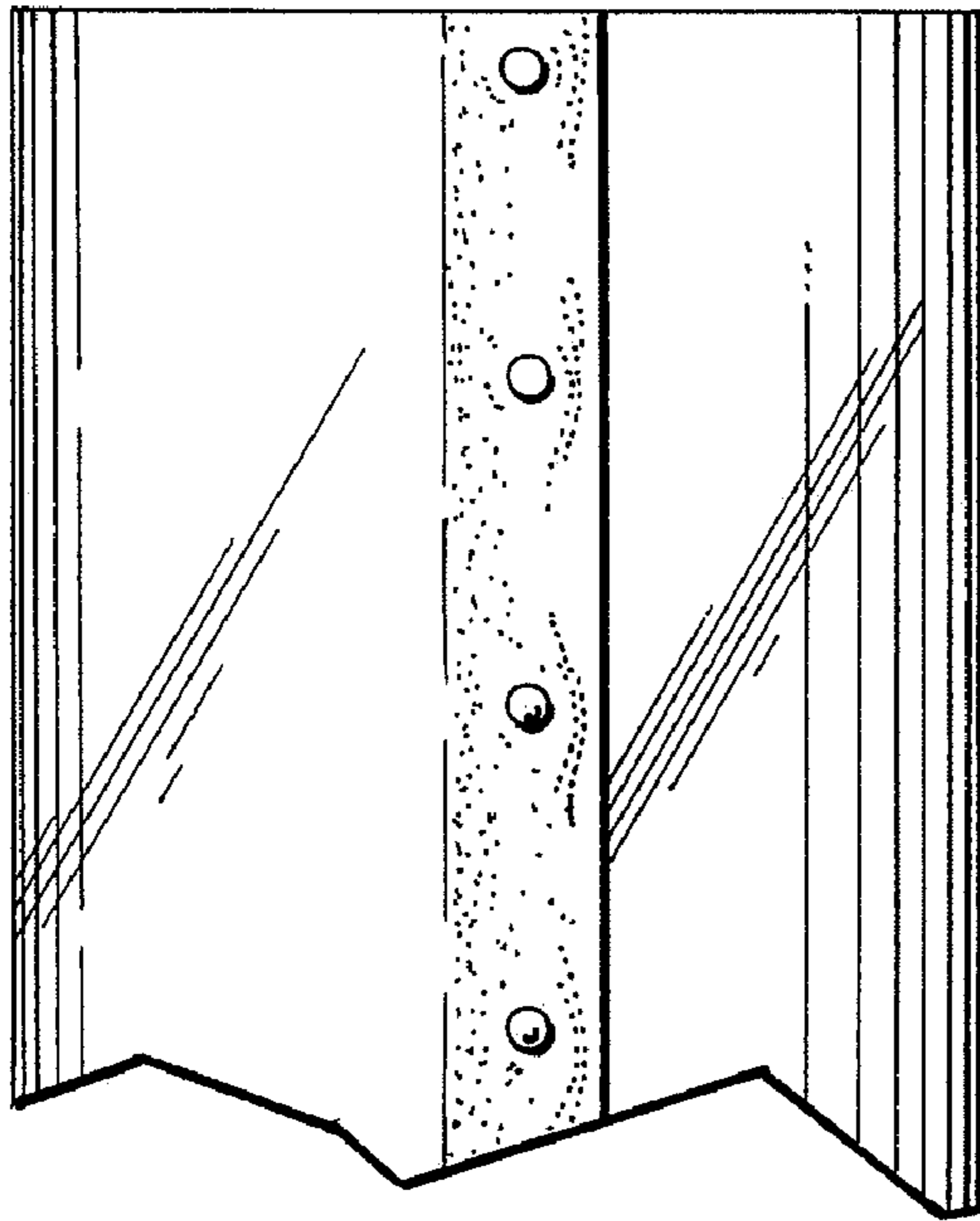


Fig. 8

Fig. 9

UNITED STATES PATENT AND TRADEMARK OFFICE
CERTIFICATE OF CORRECTION

PATENT NO. : Des. 548,875 S
APPLICATION NO. : 29/245406
DATED : August 14, 2007
INVENTOR(S) : Joerg Schieber

Page 1 of 1

It is certified that error appears in the above-identified patent and that said Letters Patent is hereby corrected as shown below:

Title Pg, Insert Item (30) Foreign Application Priority Data

This patent claims priority to:

European Community Design Applications Nos. 000363064-001, 000363064-0002, 000363064-0003 and 000363064-0004, filed on June 24, 2005.

Signed and Sealed this

Twenty-first Day of October, 2008

A handwritten signature in black ink that reads "Jon W. Dudas". The signature is written in a cursive style with a large, stylized initial "J".

JON W. DUDAS

Director of the United States Patent and Trademark Office