



US00D548874S

(12) **United States Design Patent**  
**Curtin**

(10) **Patent No.:** **US D548,874 S**

(45) **Date of Patent:** **\*\* Aug. 14, 2007**

(54) **LIGHT FIXTURE**

(75) Inventor: **Brett Curtin**, Scottsdale, AZ (US)

(73) Assignee: **Craftmade International, Inc.**,  
Coppell, TX (US)

(\*\*) Term: **14 Years**

(21) Appl. No.: **29/271,549**

(22) Filed: **Jan. 22, 2007**

(51) **LOC (8) Cl.** ..... **26-03**

(52) **U.S. Cl.** ..... **D26/89; D26/91**

(58) **Field of Classification Search** ..... D26/59,  
D26/85, 88, 89, 91, 128, 130-136; D23/377,  
D23/379, 411; 416/5; 362/147, 350, 364,  
362/365, 404, 406, 408

See application file for complete search history.

(56) **References Cited**

**U.S. PATENT DOCUMENTS**

D339,653 S *	9/1993	Porter	.....	D26/130
D359,376 S *	6/1995	Tsuji	.....	D26/91
D373,629 S *	9/1996	Chan	.....	D23/411
D376,008 S *	11/1996	Chan	.....	D23/411
D421,799 S *	3/2000	Zuege	.....	D23/411
D434,491 S *	11/2000	Nourse	.....	D23/411
D503,995 S *	4/2005	Curtin	.....	D26/89
D532,139 S *	11/2006	Shurtleff	.....	D26/59

**OTHER PUBLICATIONS**

Two-Light Wall Sconce #M4118-1 on p. 117 of the Thomas Lighting 1996 catalog.\*

“Montecello” wall sconce #P7415-10 on p. 214 of the Progress Lighting Product Catalog No. 124. (C)2000.\*

Four Light Ceiling Fixture No. 5080PB on p. 94 of the Design House 1995 Lighting Catalog.\*

All Flush-Mount Ceiling Fixtures on p. 166 of the Murray Feiss 2005 Catalog.\*

\* cited by examiner

*Primary Examiner*—Clare E Heflin

(74) *Attorney, Agent, or Firm*—Munsch Hardt Kopf & Harr, P.C.

(57) **CLAIM**

The ornamental design for a light fixture, as shown and described.

**DESCRIPTION**

FIG. 1 is a perspective view of the light fixture showing my new design;

FIG. 2 front elevational view thereof, the rear view being a mirror image;

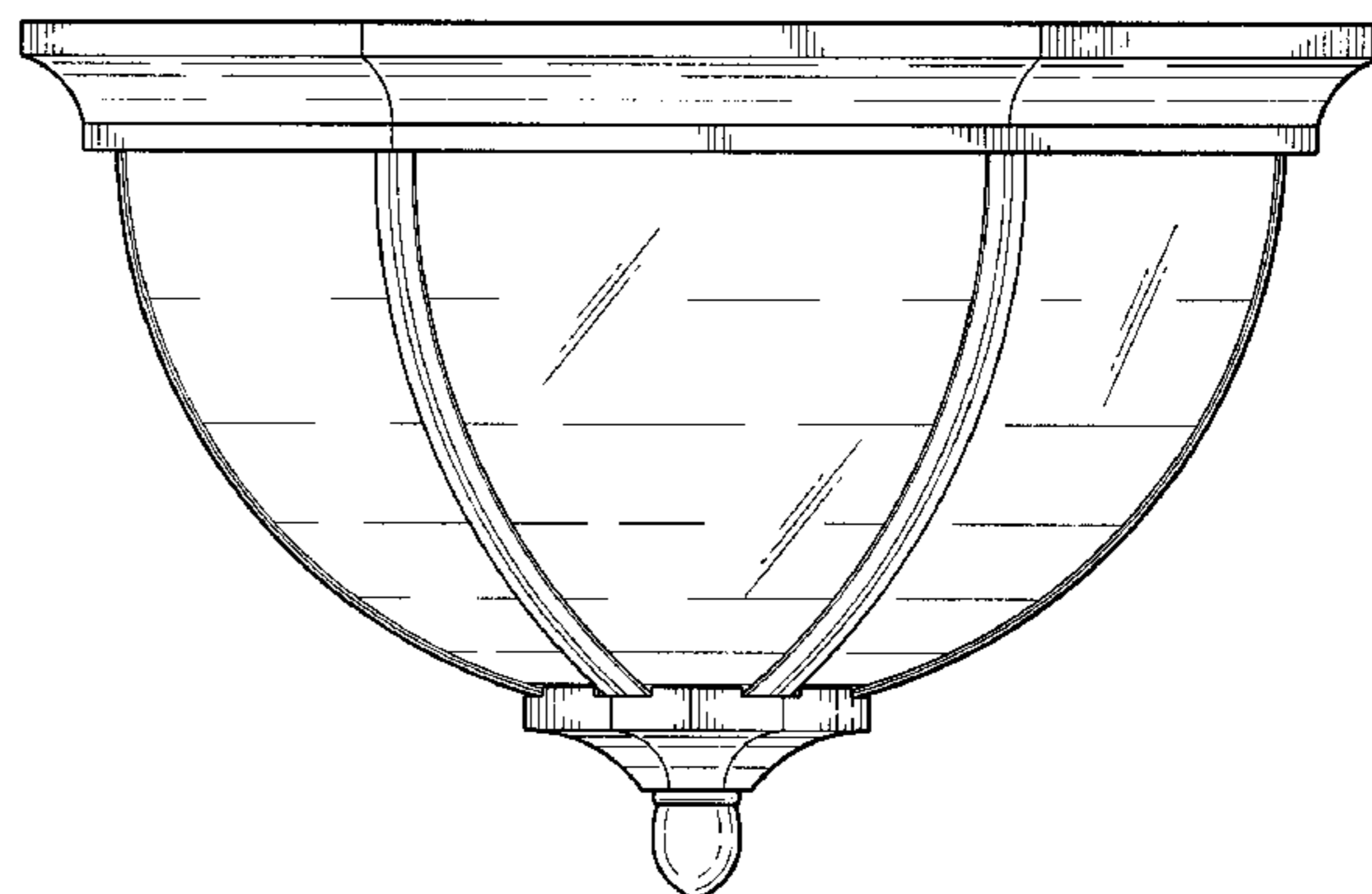
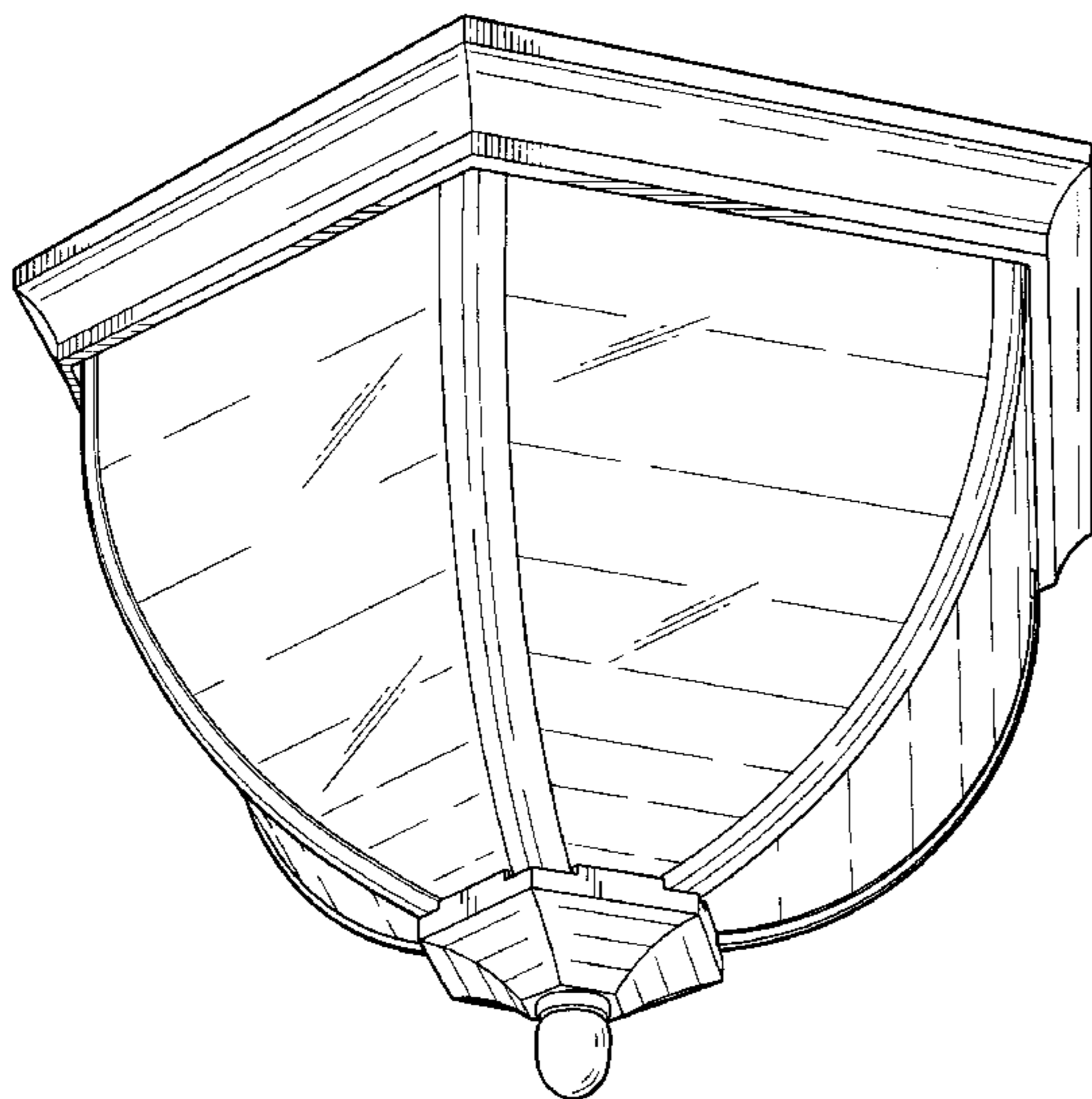
FIG. 3 is a bottom plan view thereof;

FIG. 4 is a right side elevational view, the left side being a mirror image; and,

FIG. 5 is a top plan view thereof.

The broken lines shown on the drawings are for illustrative purposes only and form no part of the claimed design.

**1 Claim, 3 Drawing Sheets**



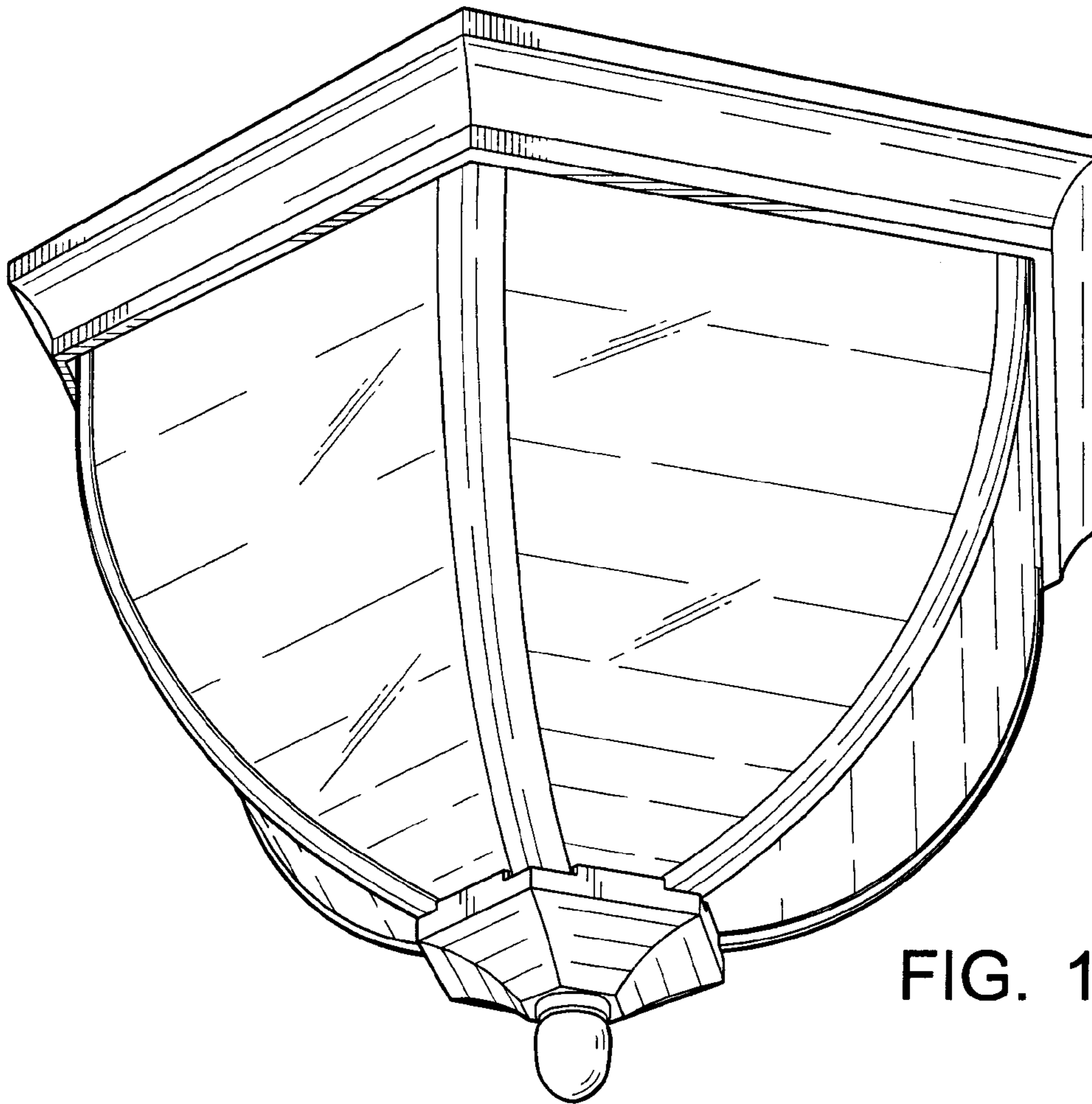


FIG. 1

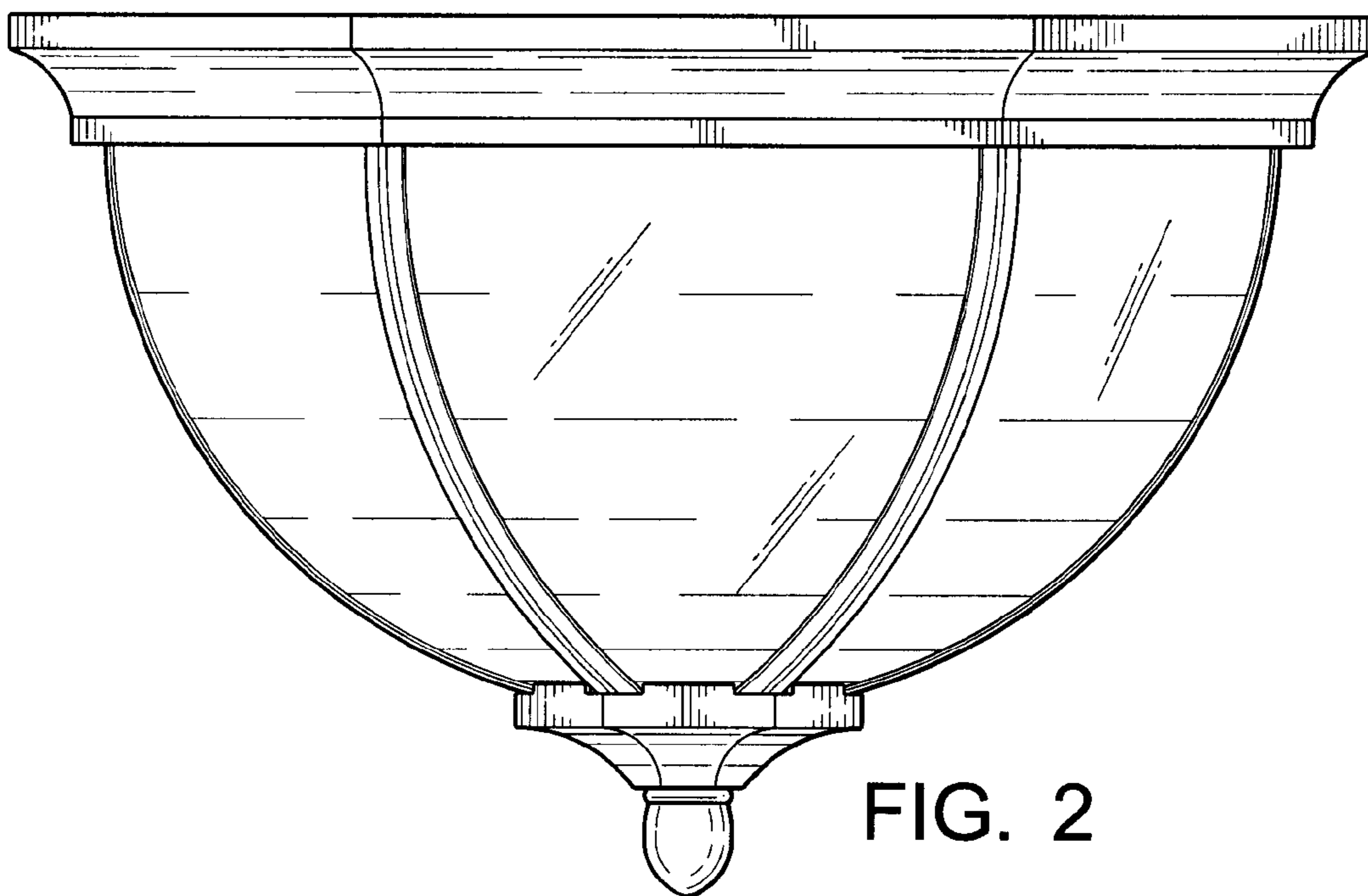


FIG. 2

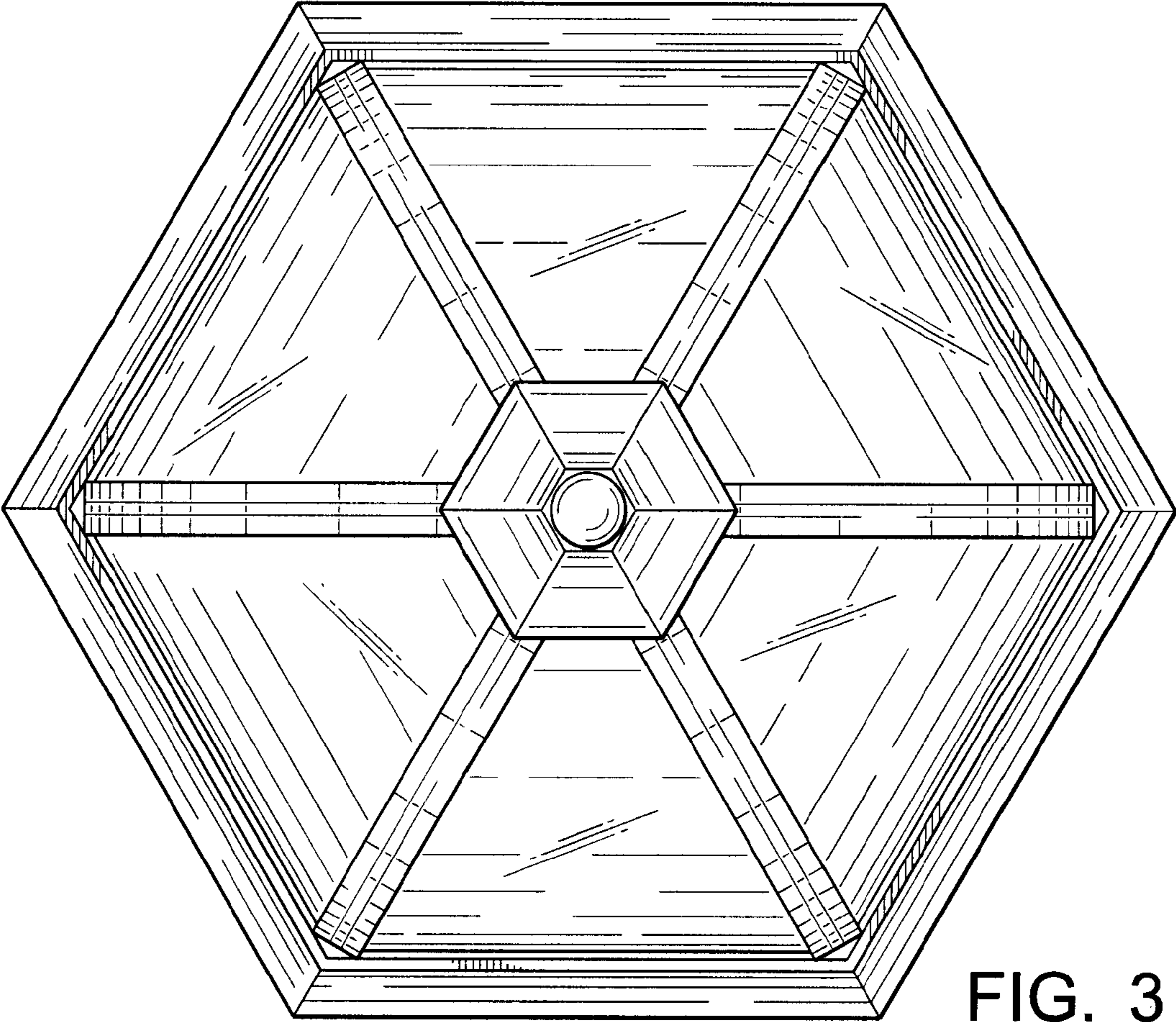


FIG. 3

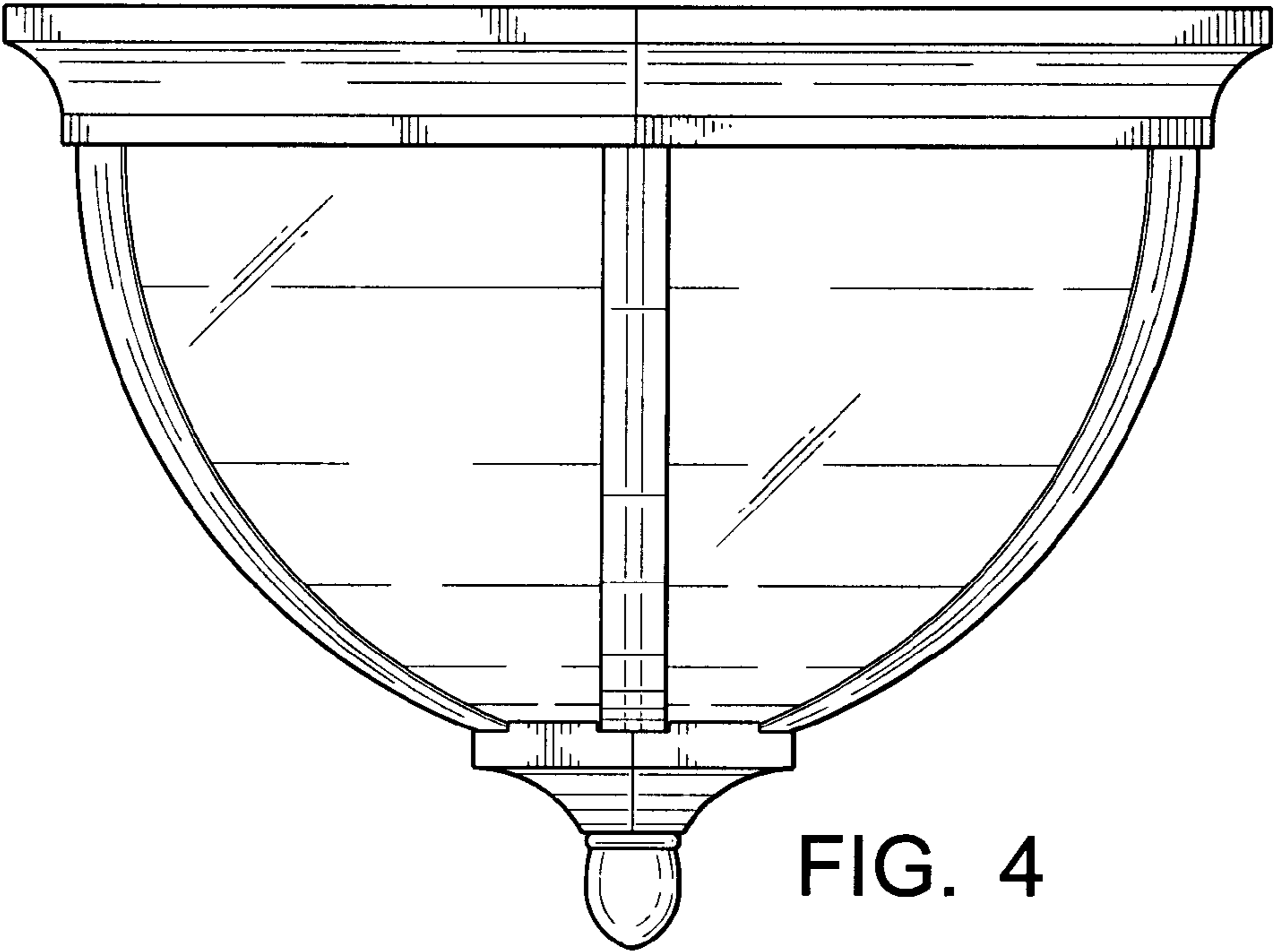


FIG. 4

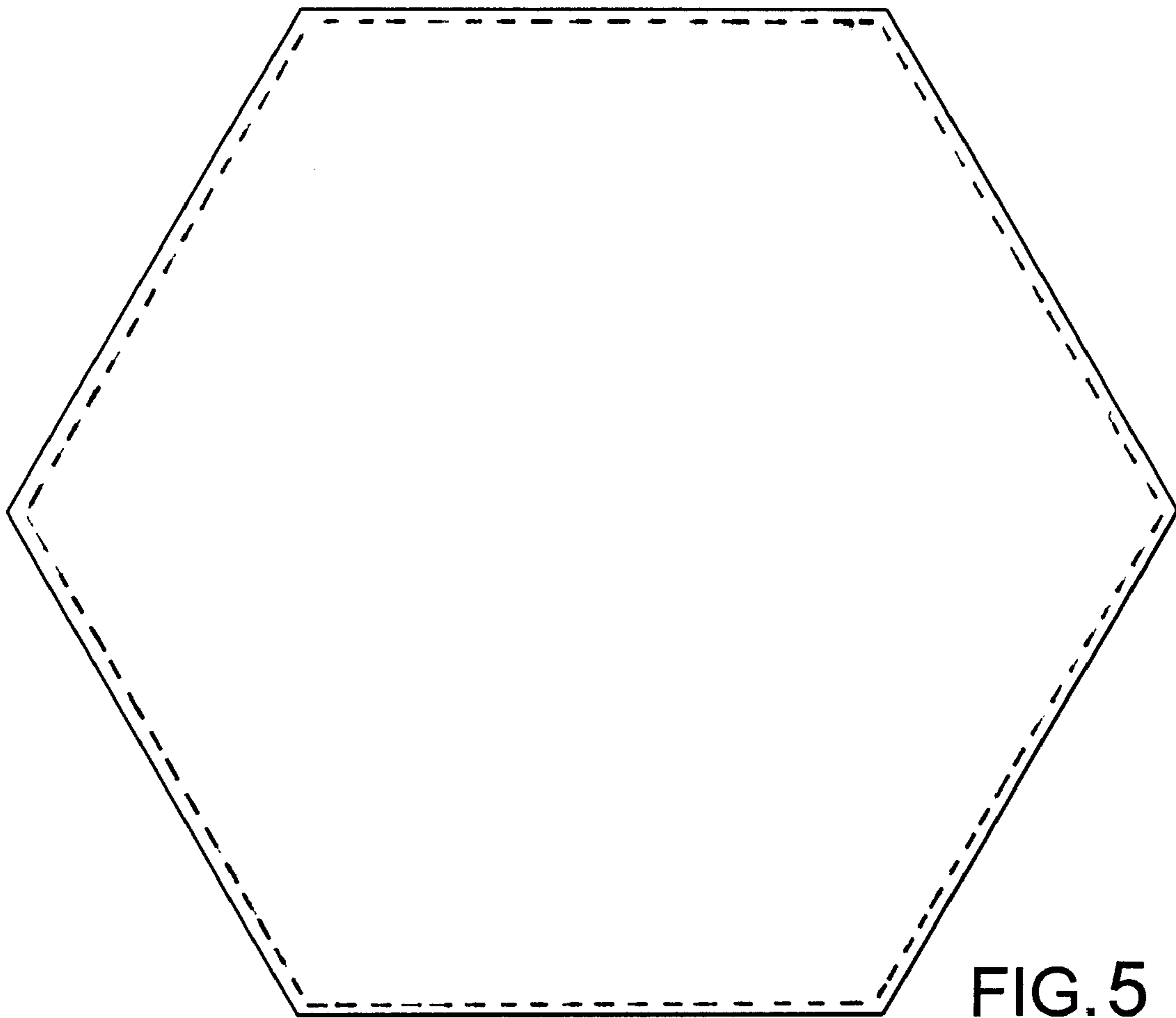


FIG. 5