

US00D548870S

(12) **United States Design Patent**  
**Richmond**

(10) **Patent No.:** **US D548,870 S**

(45) **Date of Patent:** **\*\* Aug. 14, 2007**

(54) **SOLAR-POWERED LIGHT**

(76) Inventor: **Simon Nicholas Richmond**, 47  
Grasmer Way, Princeton, NJ (US)  
08540

(\*\*) Term: **14 Years**

(21) Appl. No.: **29/264,983**

(22) Filed: **Aug. 23, 2006**

(51) **LOC (8) Cl.** ..... **26-05**

(52) **U.S. Cl.** ..... **D26/67; D26/85**

(58) **Field of Classification Search** ..... D26/8,  
D26/67, 68, 71, 85, 118, 128-130, 138, 152;  
362/145, 152, 153, 153.1, 183, 266, 431,  
362/312, 314, 356, 363, 415, 806; 431/320  
See application file for complete search history.

(56) **References Cited**

**U.S. PATENT DOCUMENTS**

D32,529 S *	4/1900	Stenz	.....	D26/134
D75,546 S *	6/1928	Buschman	.....	D26/2
D81,452 S *	6/1930	Osborn	.....	D26/67
D168,310 S *	12/1952	Lewis et al.	.....	D26/152
D199,144 S *	9/1964	Daum	.....	D26/67
D358,226 S *	5/1995	Osteen et al.	.....	D26/71
D497,021 S *	10/2004	Pu	.....	D26/67
D499,831 S *	12/2004	Chen	.....	D26/68
D505,509 S *	5/2005	Chen	.....	D26/67
D515,231 S *	2/2006	Randazzo et al.	.....	D26/67
D539,957 S *	4/2007	Luo	.....	D26/67

**OTHER PUBLICATIONS**

All "Heron Bay Collection" light fixtures displayed on internet page  
downloaded from lampsplus.com on Mar. 16, 2004.\*

All "Townhouse Collection" fixtures shown on p. 260 of the Murray  
Feiss 2004 Big Book Catalog.\*

The "Grecian Bronze" fixture No. OL2807 GBZ on p. 217 of the  
Murray Feiss 2004 Big Book Catalog.\*

\* cited by examiner

*Primary Examiner*—Clare E Heflin

(57) **CLAIM**

The ornamental design for a solar-powered light, as shown  
and described.

**DESCRIPTION**

FIG. 1 is a perspective view of a solar-powered light in  
accordance with the present invention;

FIG. 2 is a first side view of the solar-powered light shown  
in FIG. 1;

FIG. 3 is a second side view of the solar-powered light  
shown in FIG. 1;

FIG. 4 is a third side view of the solar-powered light shown  
in FIG. 1;

FIG. 5 is a top view of the solar-powered light shown in FIG.  
1; and,

FIG. 6 is a bottom view of the solar-powered light shown in  
FIG. 1.

The broken lines are for illustrative purposes only and form  
no part of the claimed design.

**1 Claim, 4 Drawing Sheets**

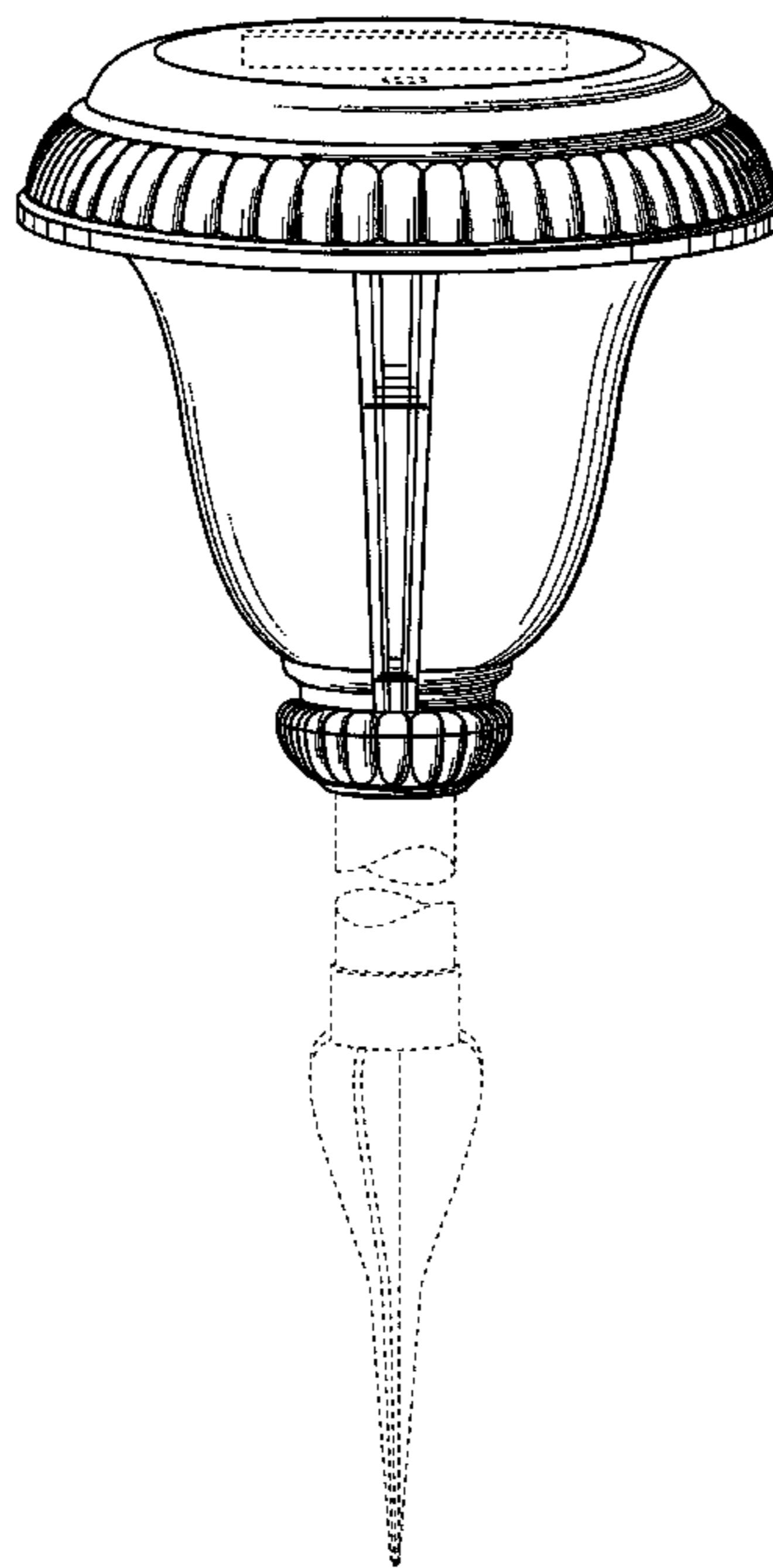


Fig. 1

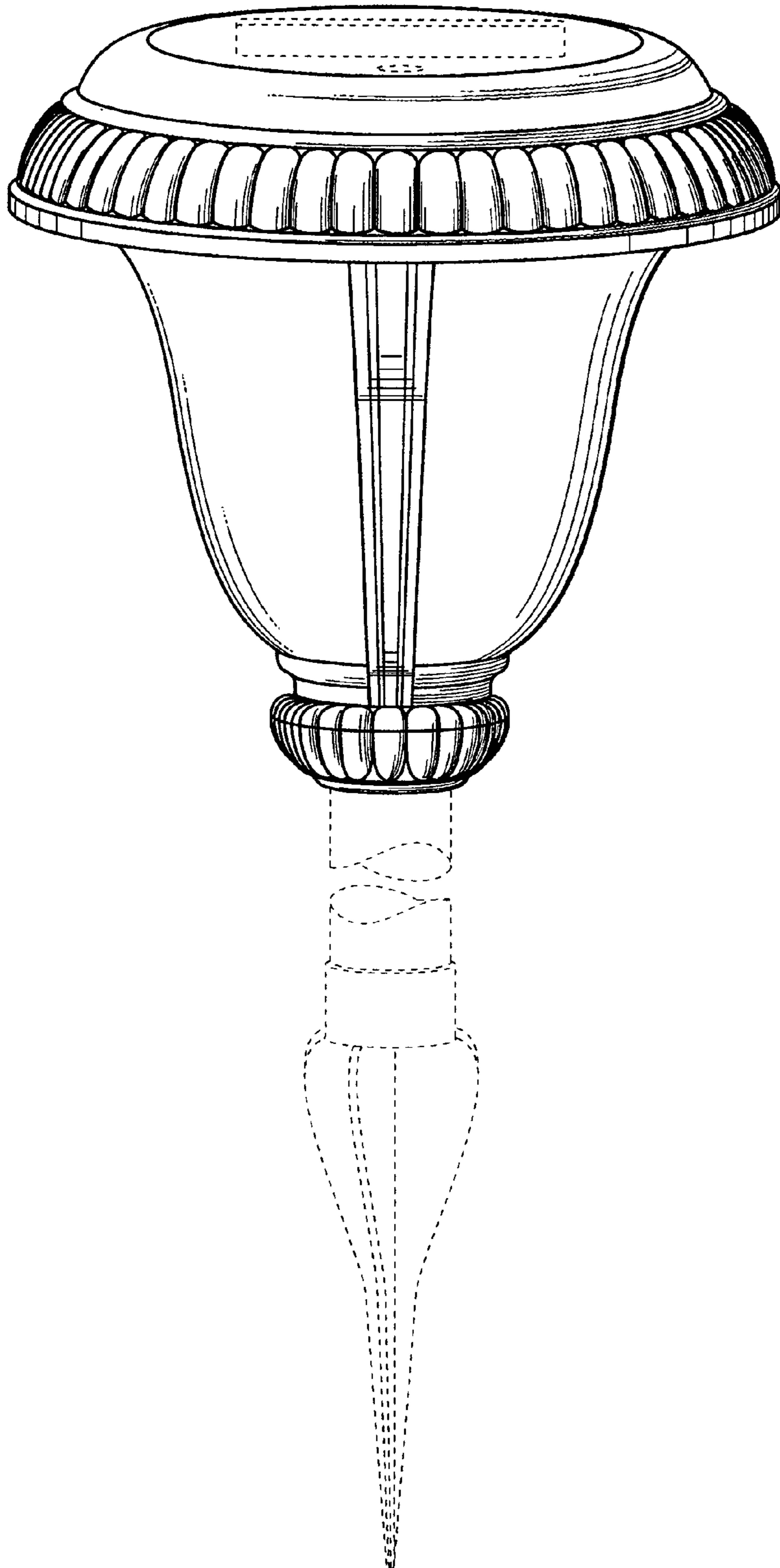


Fig. 2

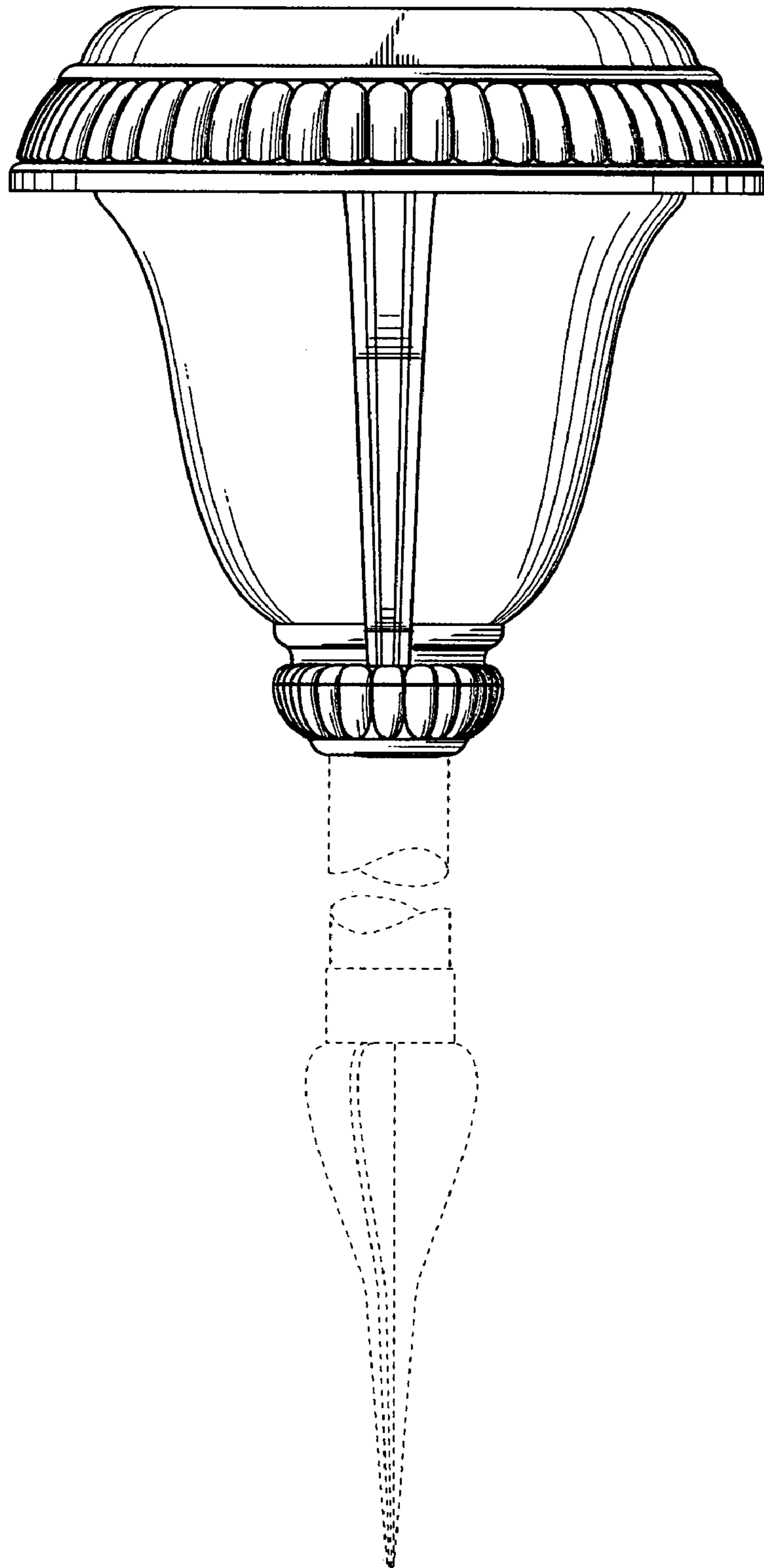


Fig. 3

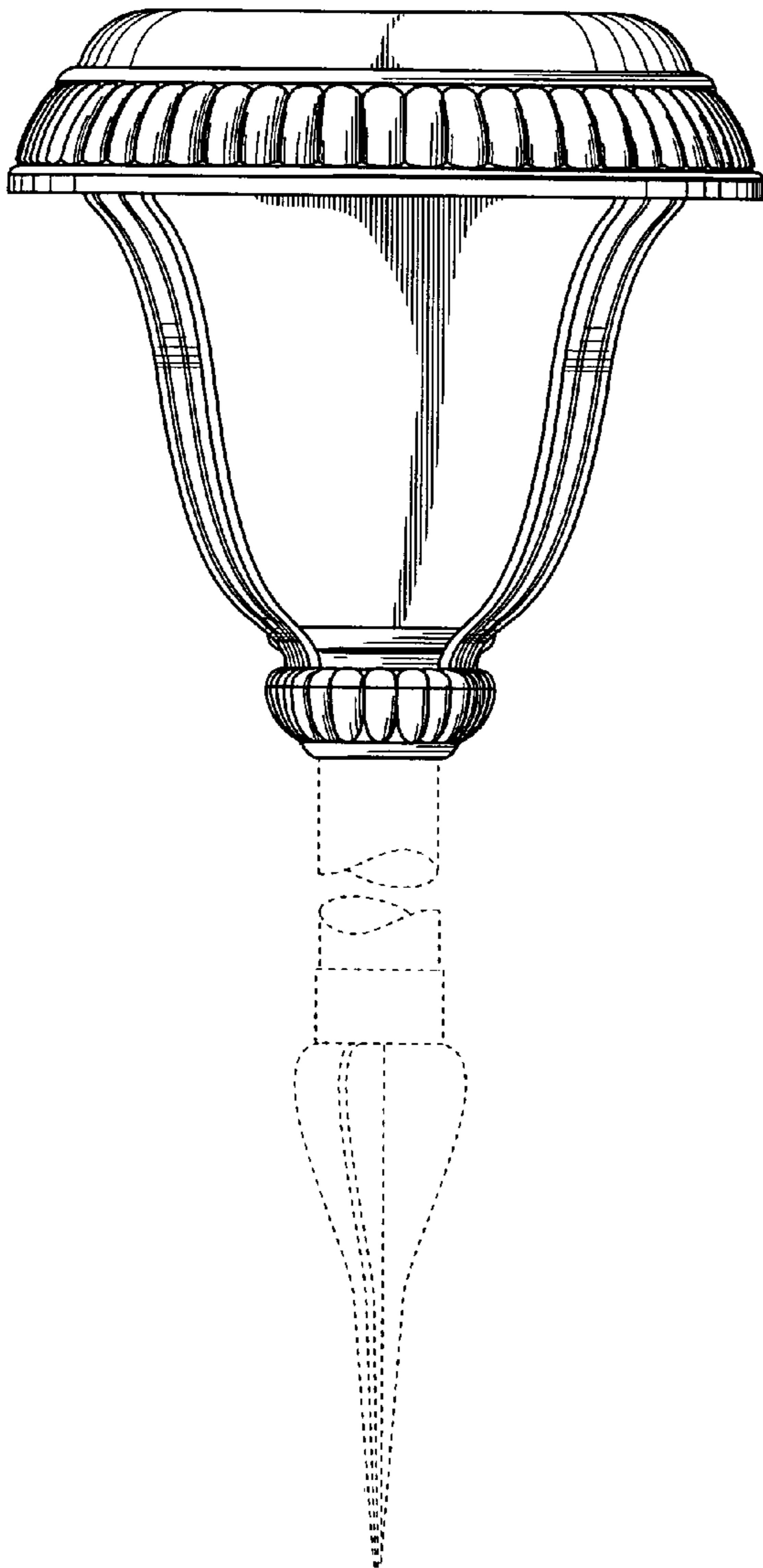


Fig. 4

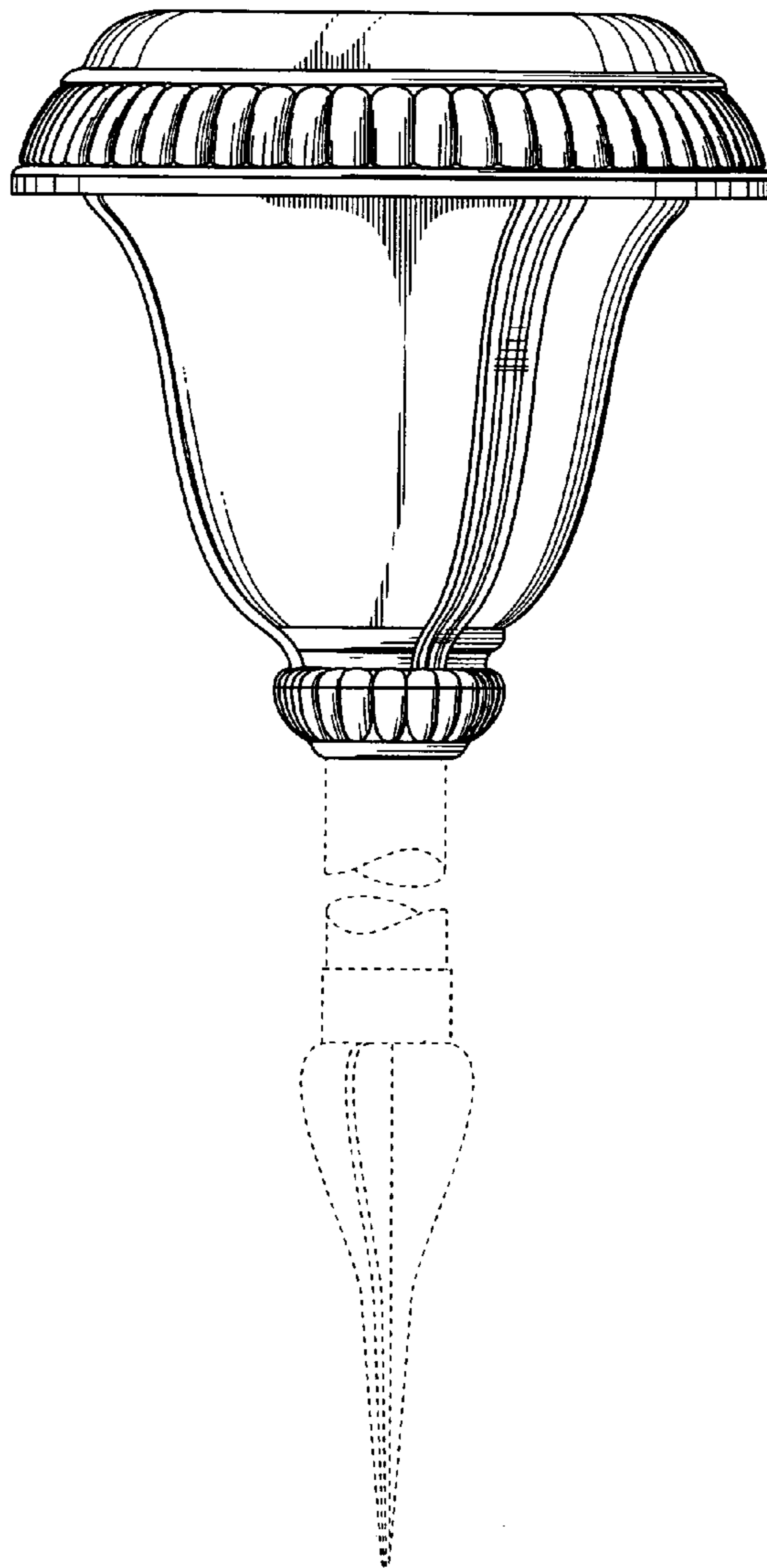


Fig. 5

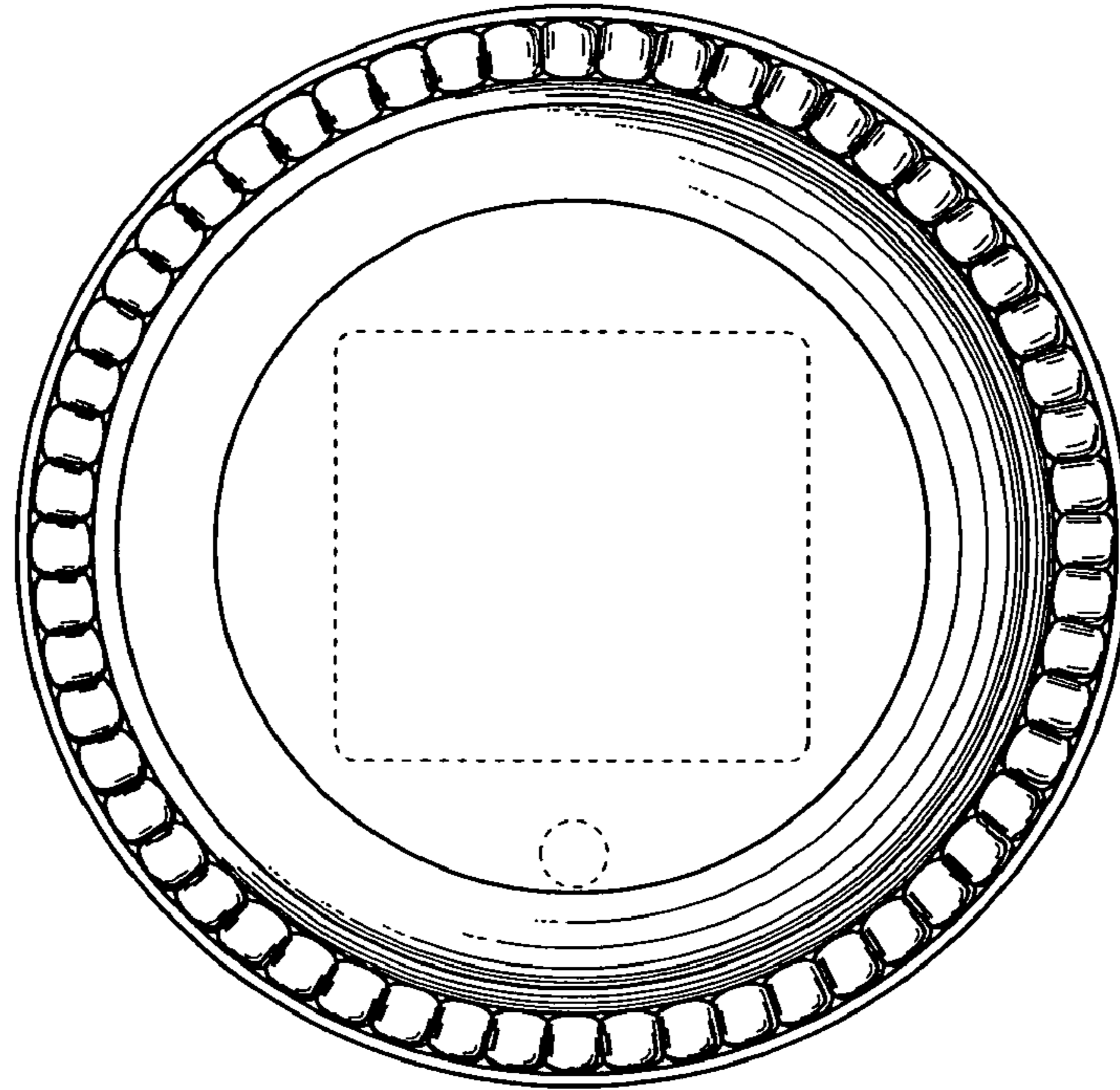


Fig. 6

