

US00D548869S

(12) **United States Design Patent**  
**Zhouli**

(10) **Patent No.: US D548,869 S**

(45) **Date of Patent: \*\* Aug. 14, 2007**

(54) **STUDIO FLASH LIGHT**

D539,460 S \* 3/2007 Mier-Langner et al. .... D26/63

(75) Inventor: **Li Zhouli**, Yuyao (CN)

(73) Assignee: **Ningbo Jinhui Photographic Equipment Co., Ltd.**, Yuyao, Zhejiang Province (CN)

(\*\*) Term: **14 Years**

(21) Appl. No.: **29/277,417**

(22) Filed: **Feb. 26, 2007**

(51) **LOC (8) Cl.** ..... **26-05**

(52) **U.S. Cl.** ..... **D26/63**

(58) **Field of Classification Search** ..... D26/51-63;  
362/147, 265, 277, 278, 281, 282, 285, 287,  
362/640-655

See application file for complete search history.

(56) **References Cited**

**U.S. PATENT DOCUMENTS**

D358,225 S	5/1995	Lin	
D360,959 S	8/1995	Donato et al.	
D438,320 S	2/2001	Tang	
D482,476 S	11/2003	Kwong	
D535,422 S *	1/2007	Mier-Langner et al. ....	D26/63
D537,972 S *	3/2007	Mier-Langner et al. ....	D26/63

**OTHER PUBLICATIONS**

U.S. Appl. No. 29/250,992, filed Dec. 8, 2006, Chen Jianbo.

U.S. Appl. No. 29/250,993, filed Dec. 8, 2006, Pu Yifei.

U.S. Appl. No. 29/250,994, filed Dec. 8, 2006, Pu Yifei.

U.S. Appl. No. 29/250,991, filed Dec. 8, 2006, Fang Hu.

\* cited by examiner

*Primary Examiner*—Marcus A. Jackson

(74) *Attorney, Agent, or Firm*—Bose McKinney & Evans LLP

(57) **CLAIM**

The ornamental design for a studio flash light, as shown and described.

**DESCRIPTION**

FIG. 1 is a first side elevational view of a studio flash light of the present invention;

FIG. 2 is a top plan view thereof;

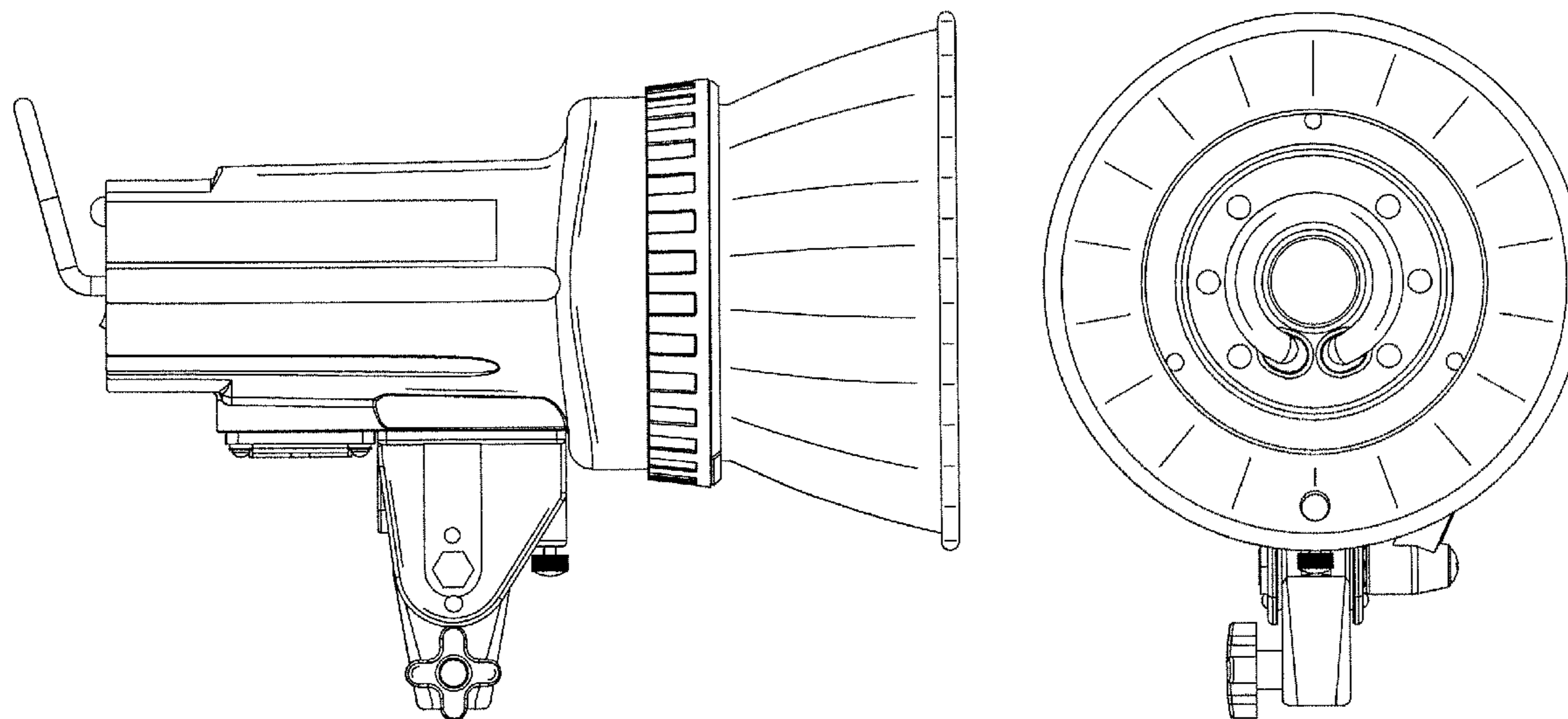
FIG. 3 is a bottom plan view thereof;

FIG. 4 is a second side elevational view thereof;

FIG. 5 is a rear elevational view thereof; and,

FIG. 6 is a front elevational view thereof.

**1 Claim, 4 Drawing Sheets**



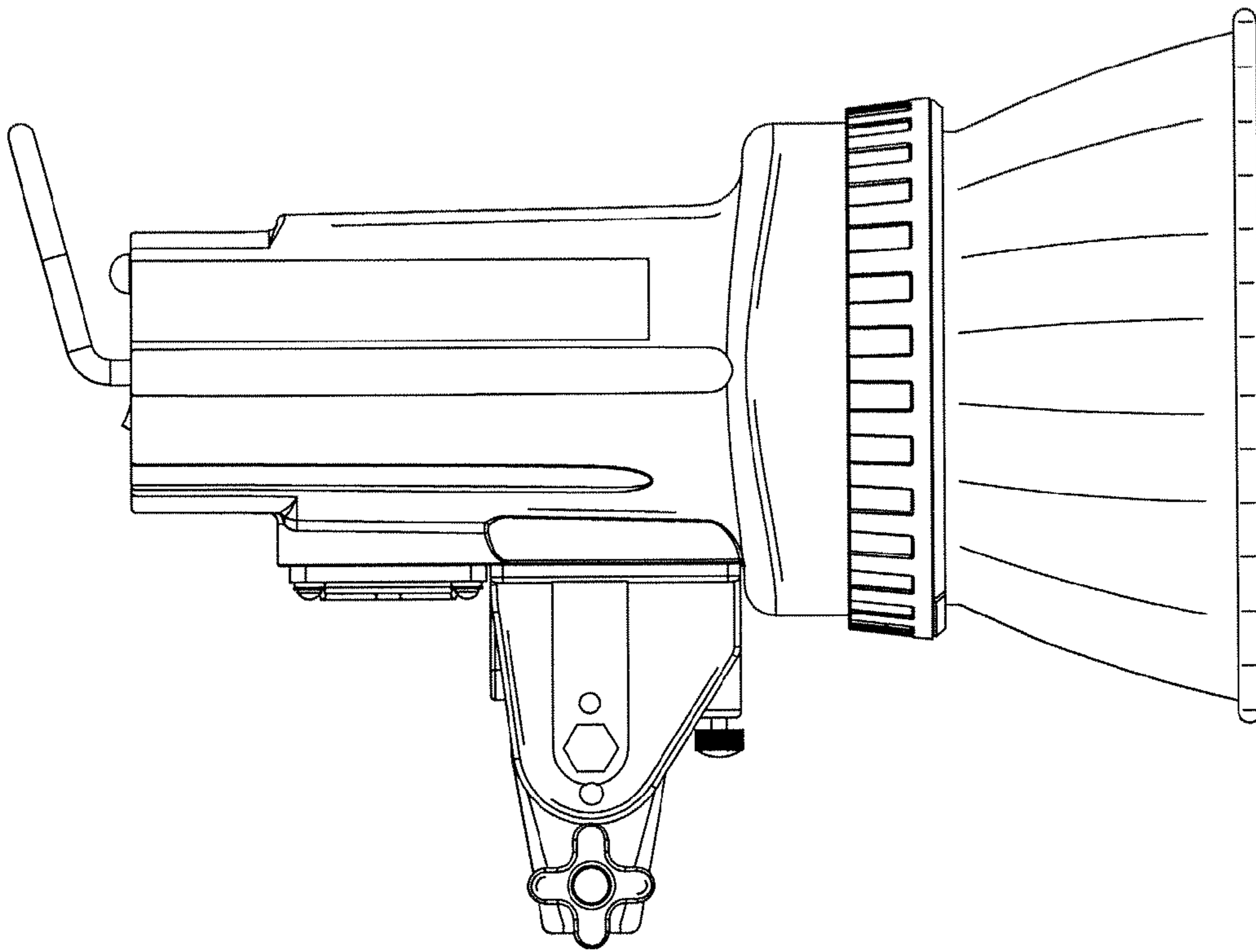


FIG. 1

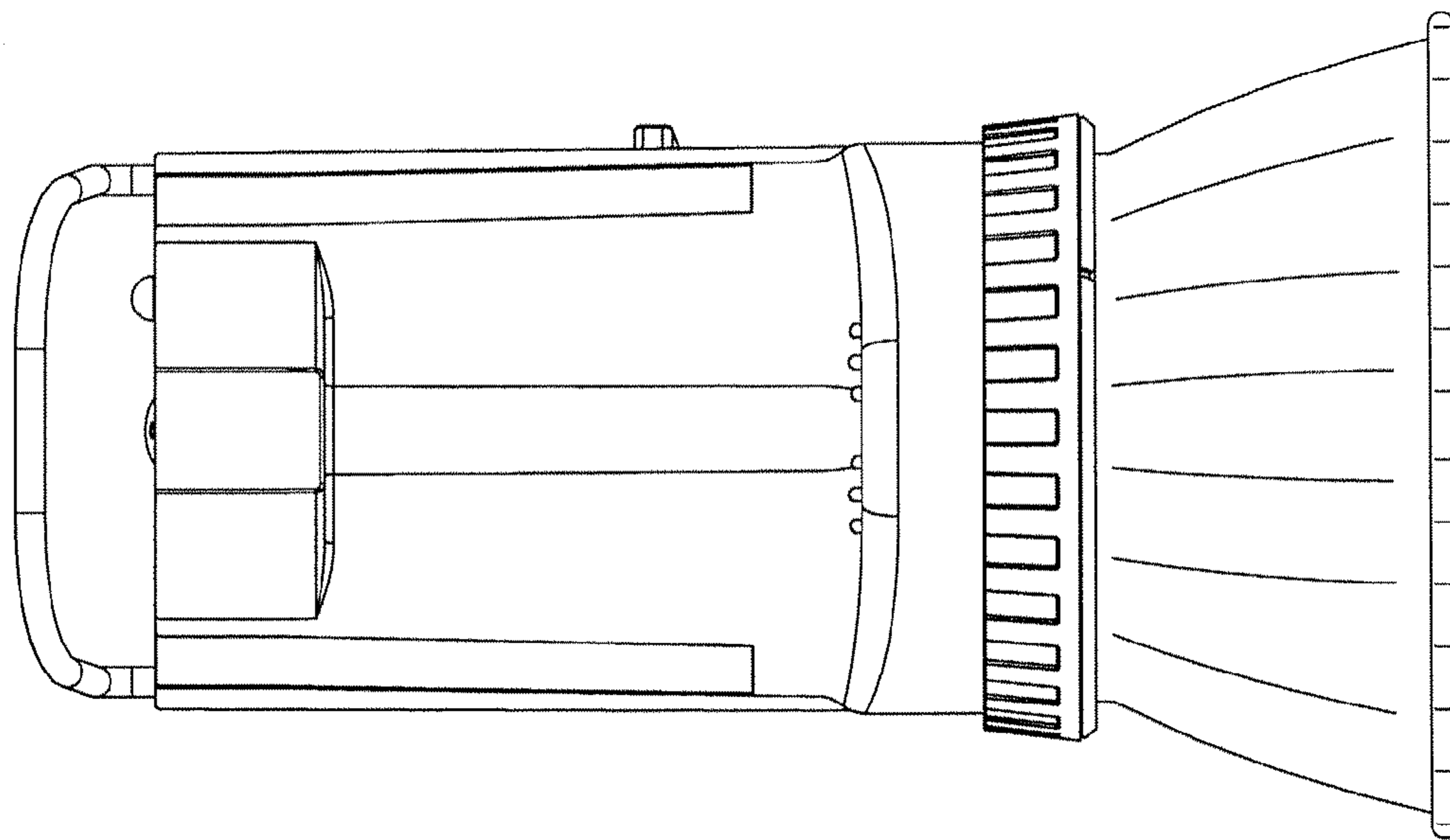


FIG. 2

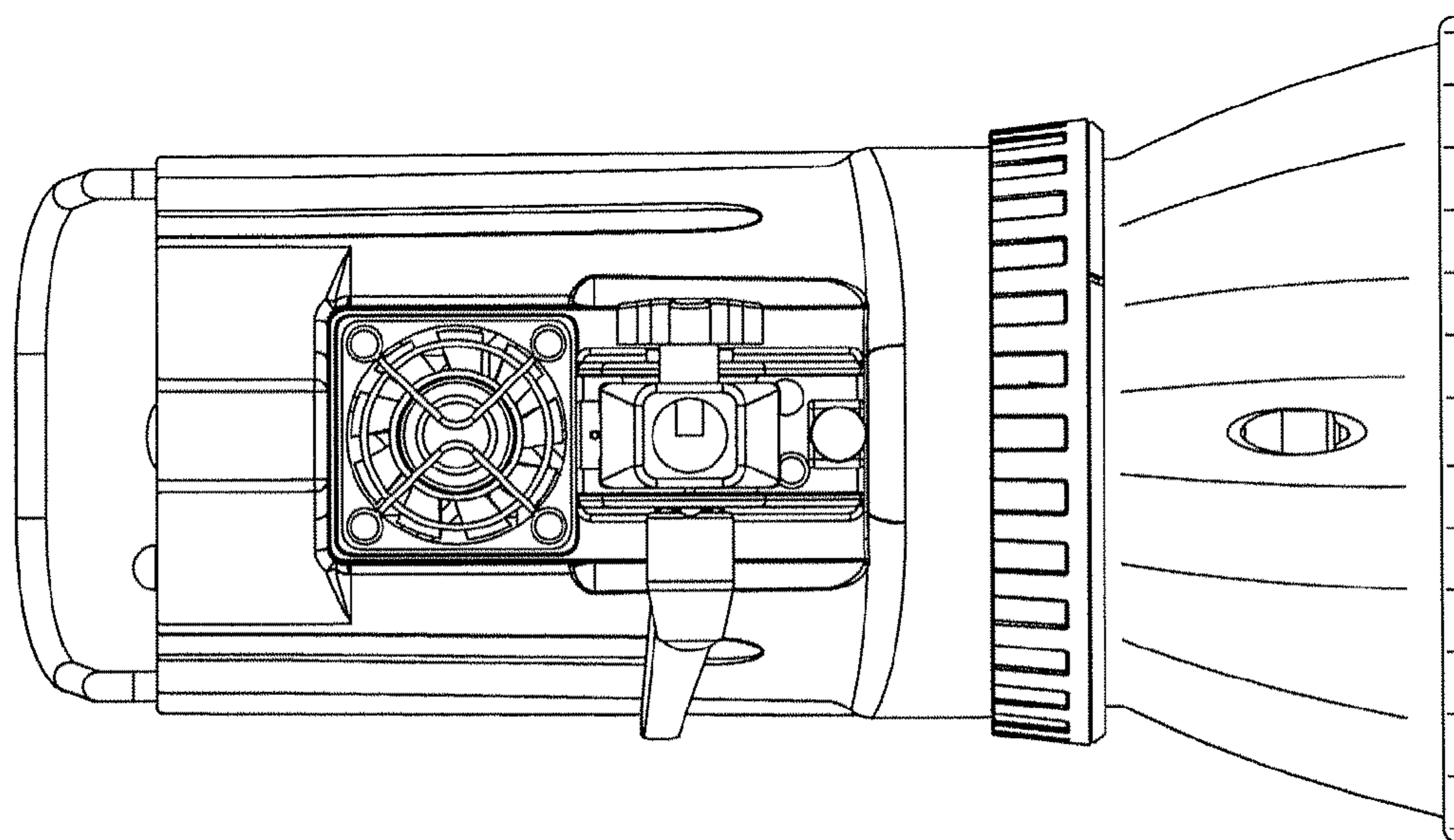


FIG. 3

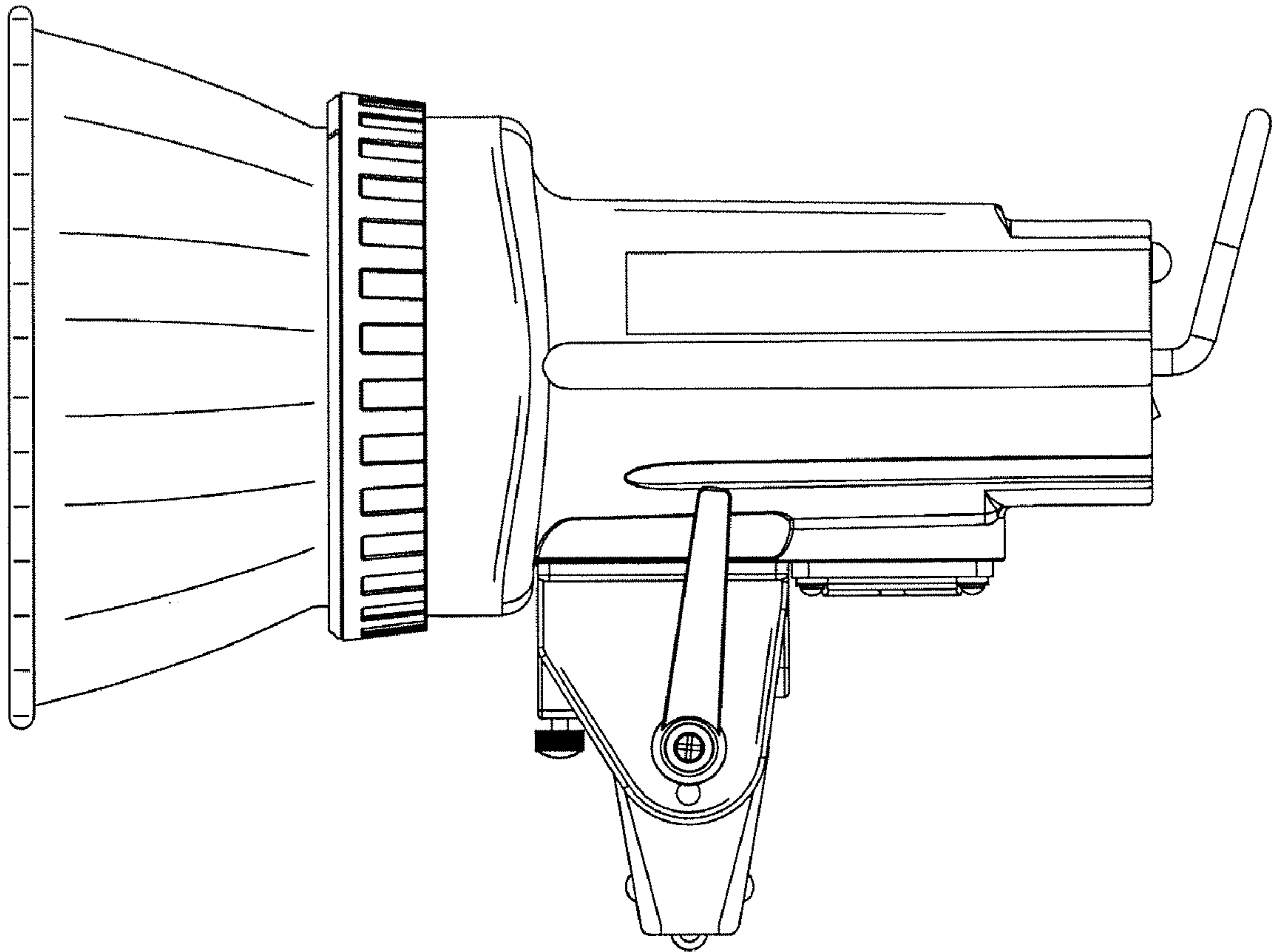


FIG. 4

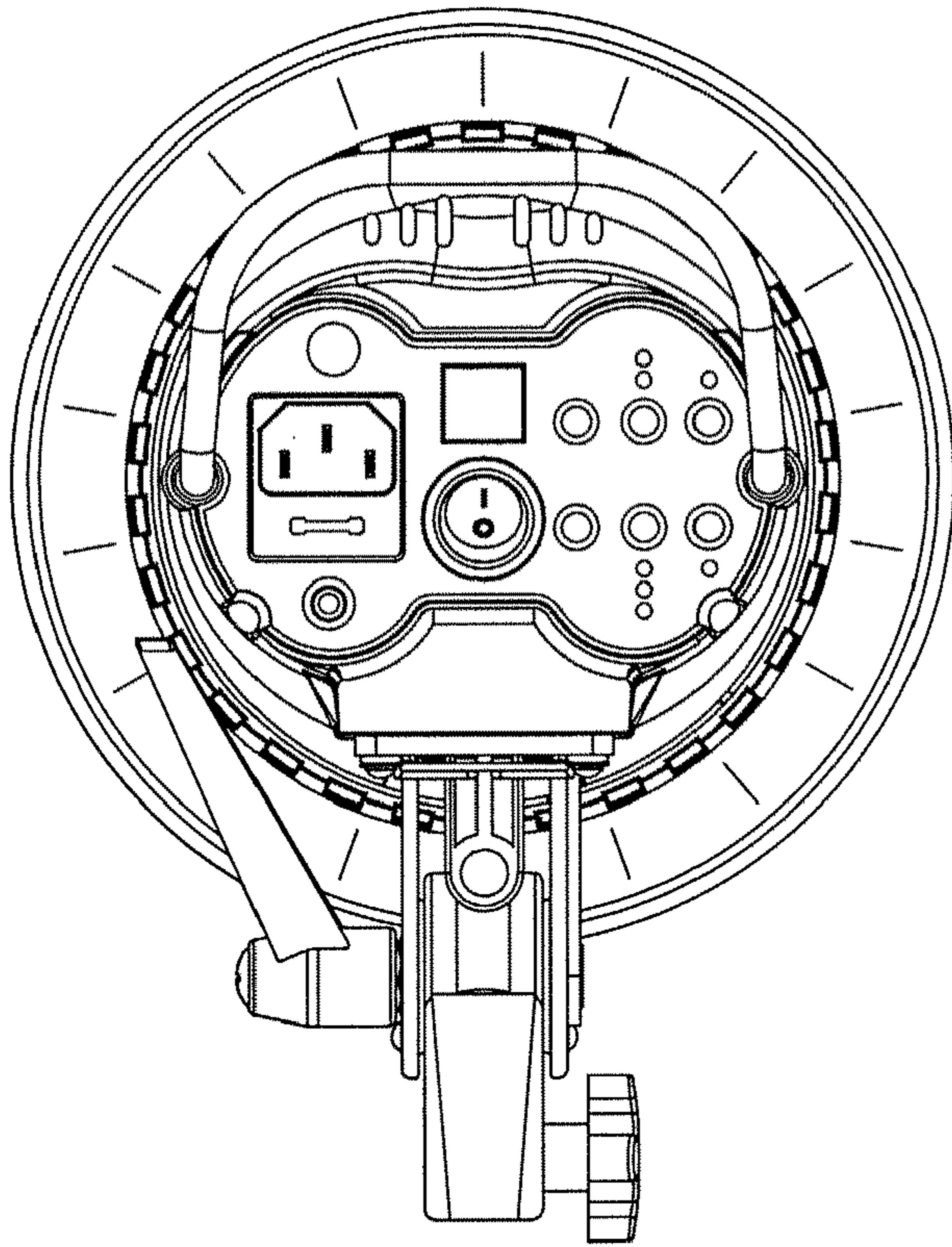


FIG. 5

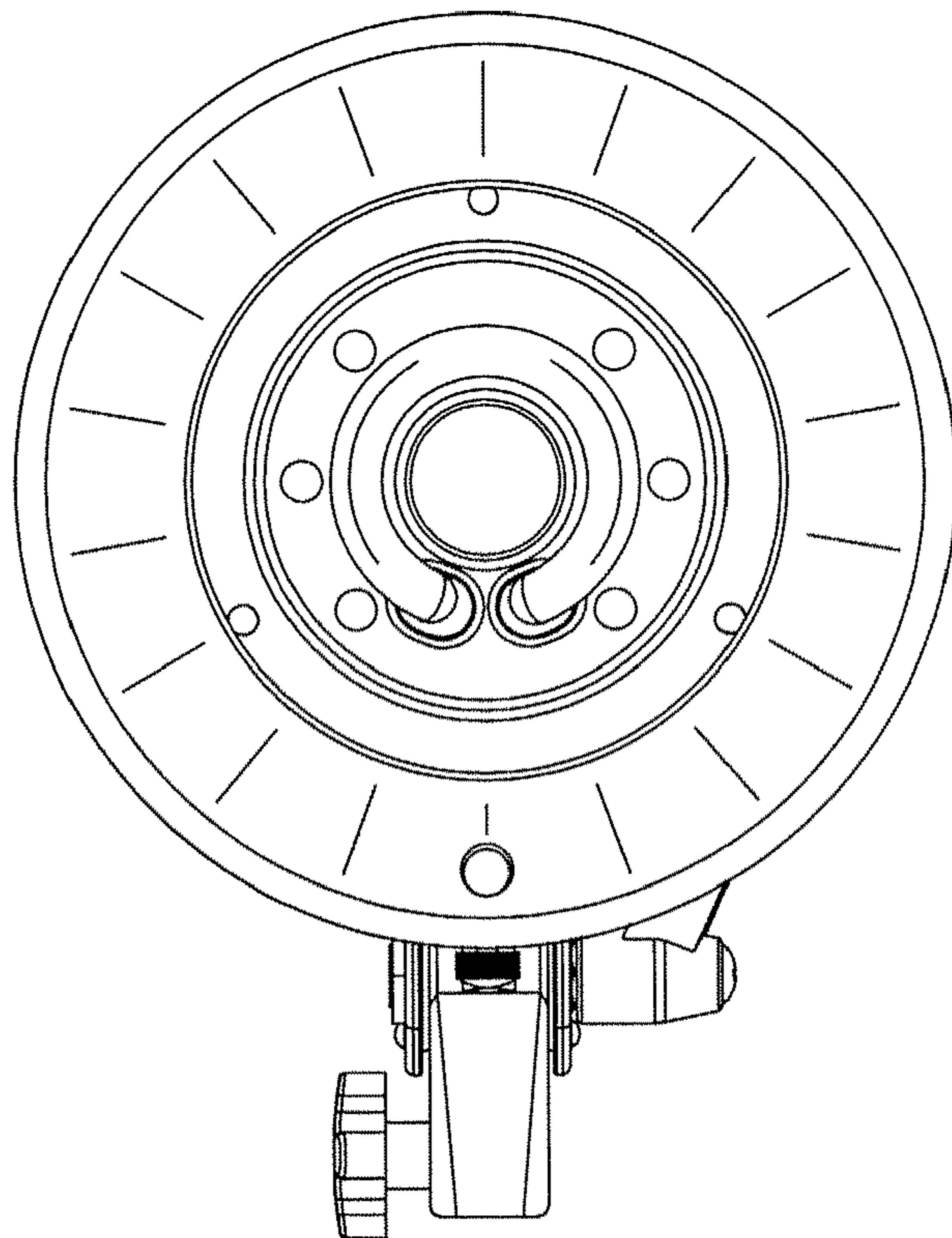


FIG. 6