

US00D548867S

(12) **United States Design Patent**
Chue

(10) **Patent No.:** **US D548,867 S**

(45) **Date of Patent:** **** Aug. 14, 2007**

(54) **SYRINGE LED PENLIGHT**

(75) Inventor: **Lap Fu Chue**, Tai Po (HK)

(73) Assignee: **Kenki (H.K.) Ltd.**, Kwun Tong, Kowloon (HK)

(**) Term: **14 Years**

(21) Appl. No.: **29/255,848**

(22) Filed: **Mar. 14, 2006**

(51) **LOC (8) Cl.** **26-02**

(52) **U.S. Cl.** **D26/47; D26/37; D24/130**

(58) **Field of Classification Search** **D26/37-50, D26/47; D24/130; 362/157, 158, 171-174, 362/183-208**

See application file for complete search history.

(56) **References Cited**

U.S. PATENT DOCUMENTS

D447,797 S *	9/2001	Odell et al.	D24/112
D471,980 S *	3/2003	Caizza	D24/130
D507,364 S *	7/2005	Lo	D26/37
6,991,618 B2 *	1/2006	Lau et al.	604/110
D531,216 S *	10/2006	Oas	D19/36

D535,331 S *	1/2007	Hageman et al.	D19/47
D536,991 S *	2/2007	Dlugolecki	D9/721
D537,181 S *	2/2007	Chen et al.	D26/37
D538,341 S *	3/2007	Oas	D19/44

* cited by examiner

Primary Examiner—Marcus A. Jackson

(74) *Attorney, Agent, or Firm*—Rabin & Berdo, P.C.

(57) **CLAIM**

The ornamental design for a syringe LED penlight, as shown and described.

DESCRIPTION

FIG. 1 is a top view of a syringe LED penlight showing my new design;

FIG. 2 is a bottom view thereof;

FIG. 3 is a front view thereof;

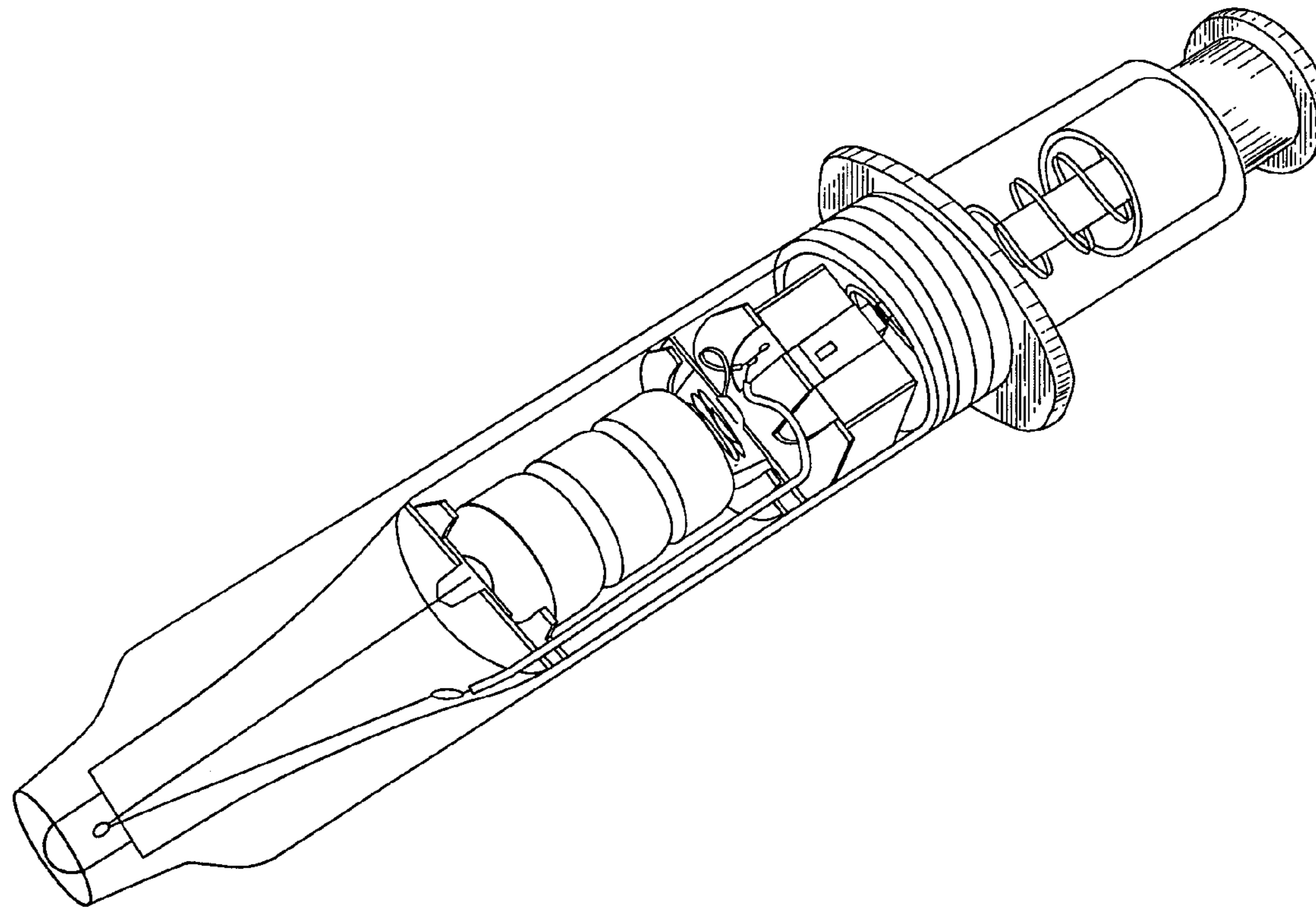
FIG. 4 is a rear view thereof;

FIG. 5 is a left side view thereof;

FIG. 6 is a right side view thereof; and,

FIG. 7 is a perspective view thereof.

1 Claim, 4 Drawing Sheets



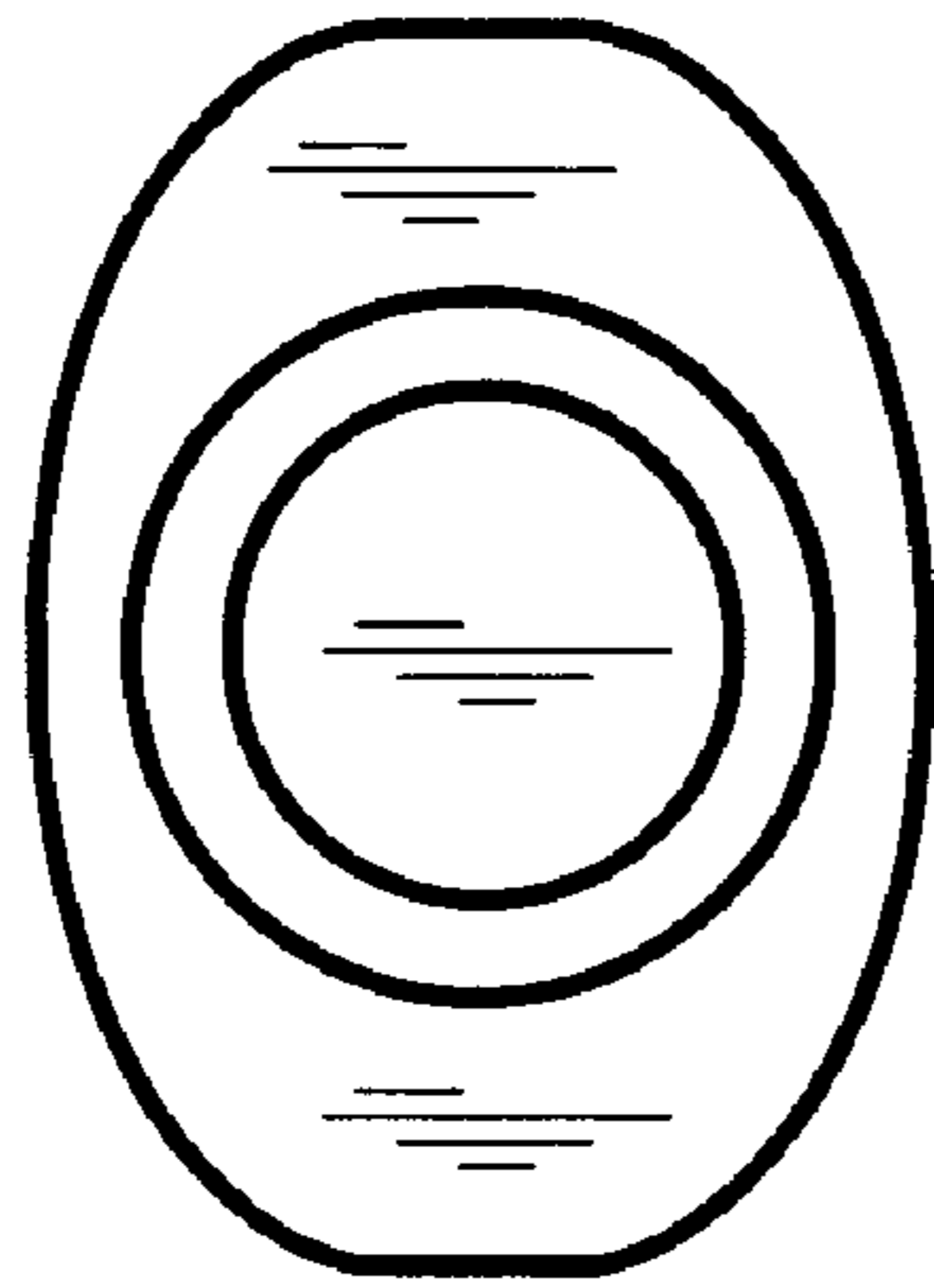


Fig. 1

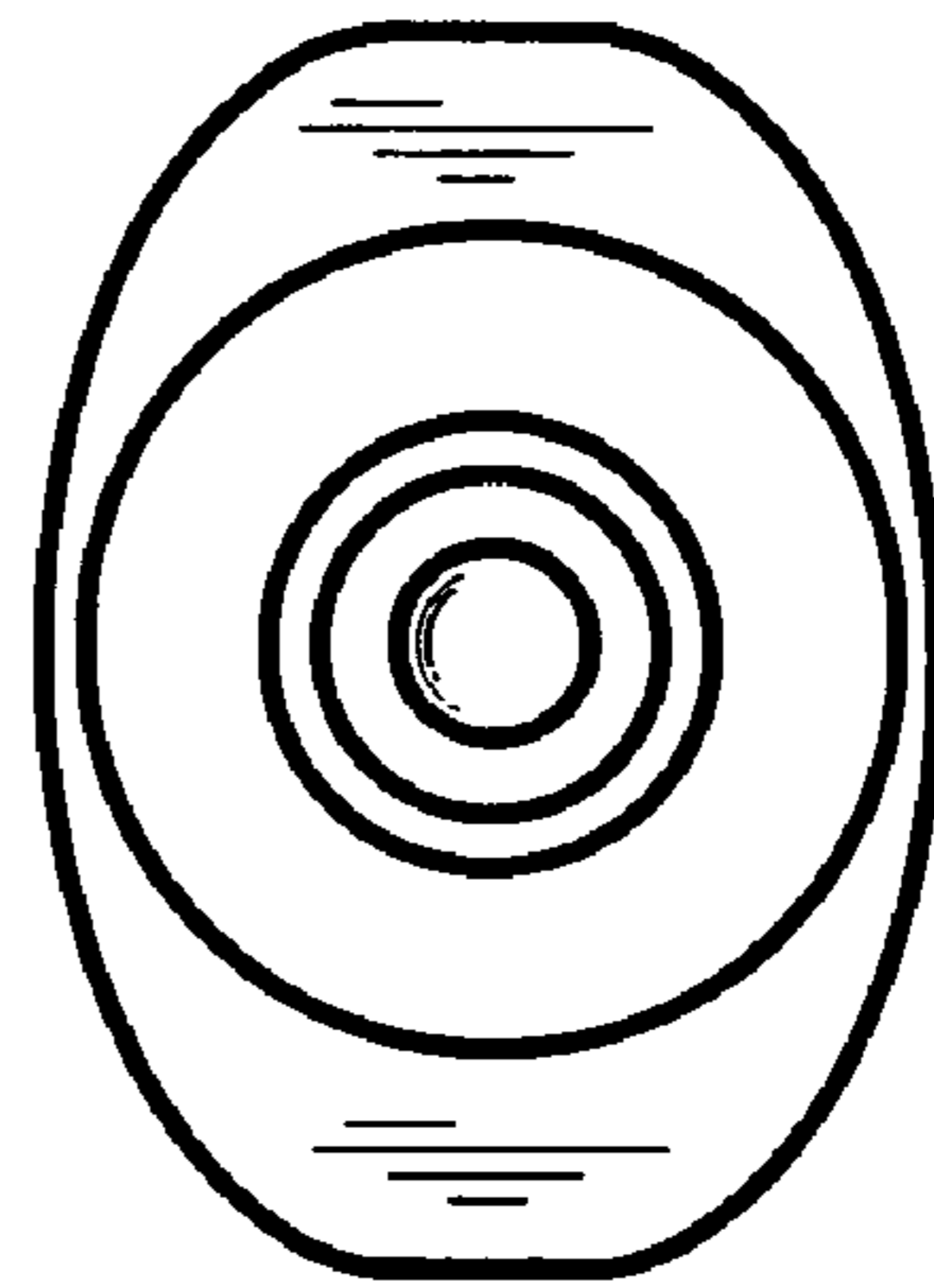


Fig. 2

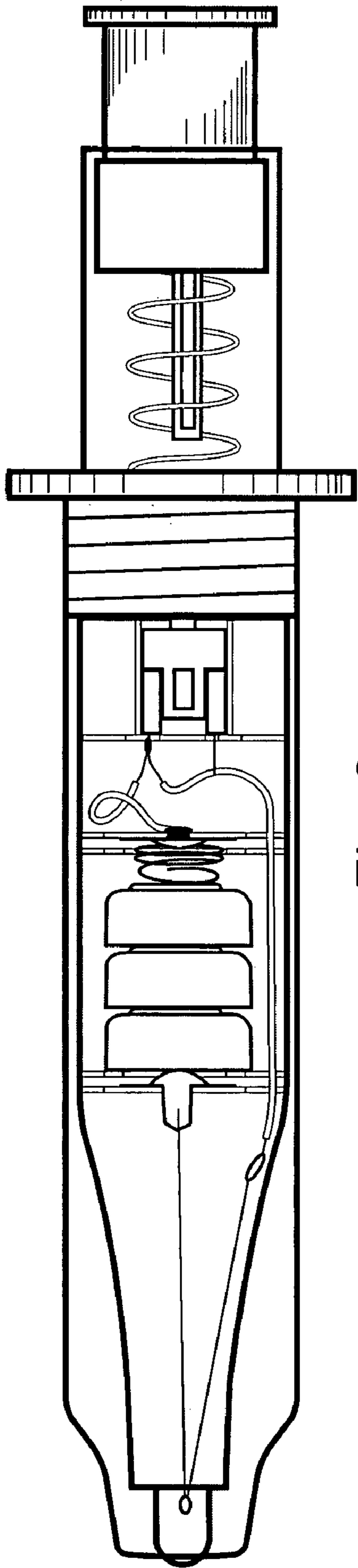


Fig. 3

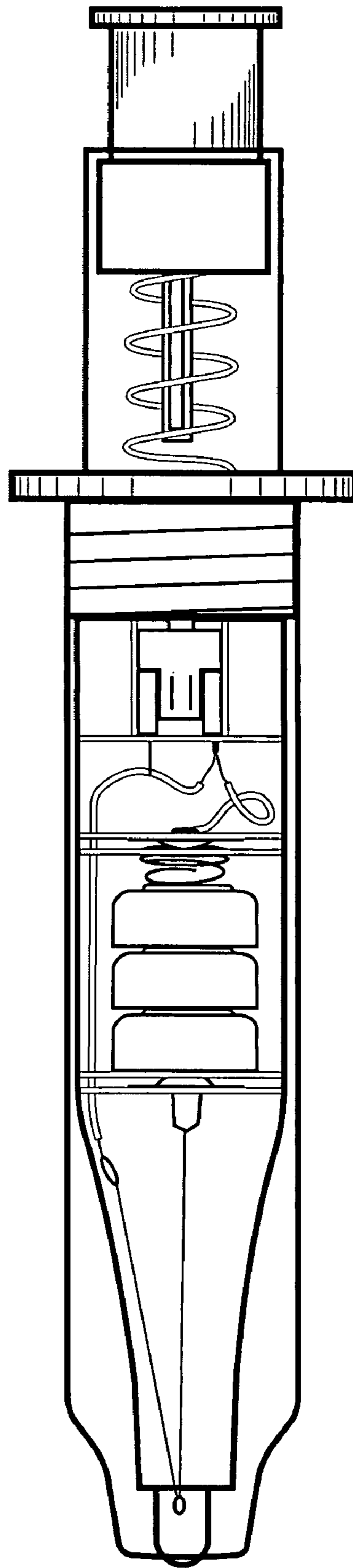


Fig. 4

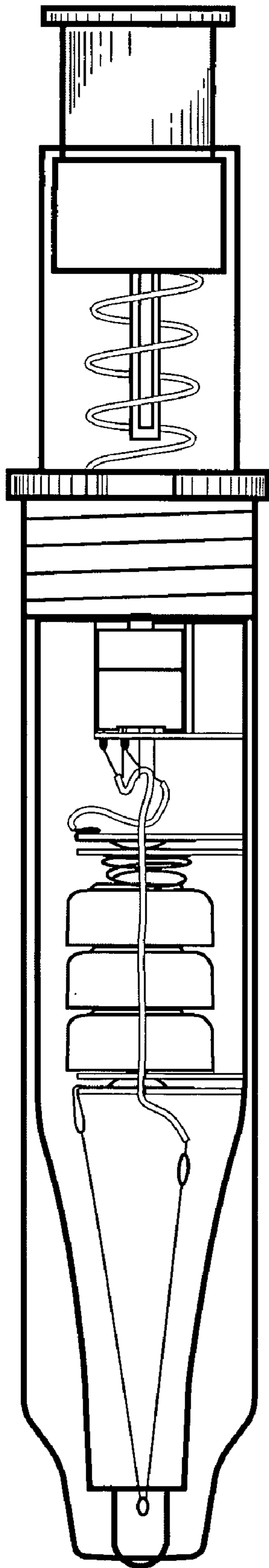


Fig. 5

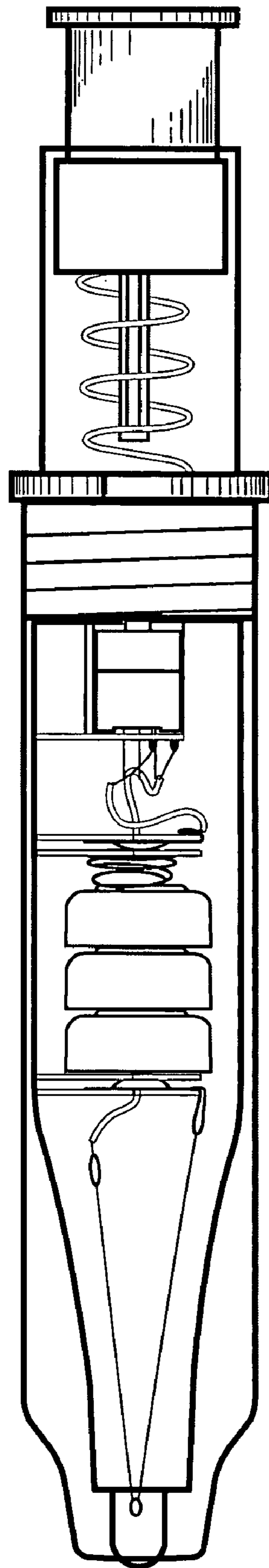


Fig. 6

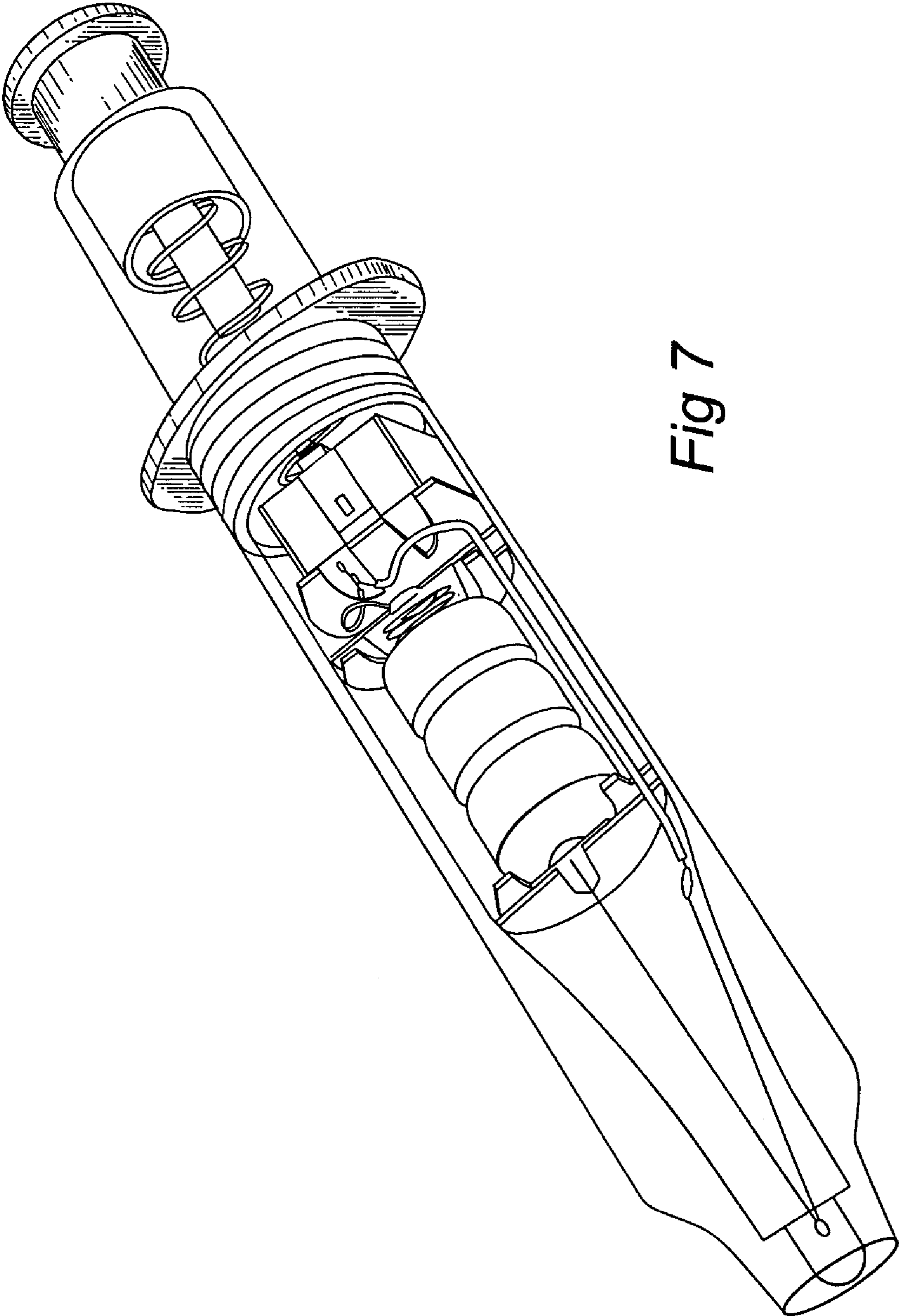


Fig 7