

US00D548866S

(12) **United States Design Patent**
Yuen

(10) **Patent No.:** **US D548,866 S**

(45) **Date of Patent:** **** Aug. 14, 2007**

(54) **LED SPOTLIGHT**

(76) Inventor: **Se Kit Yuen**, 6/F, Yau Lee Centre, 45
Hoi Yuen Road, Kwun Tong, Kowloon
(HK)

(**) Term: **14 Years**

(21) Appl. No.: **29/249,949**

(22) Filed: **Oct. 27, 2006**

(51) **LOC (8) Cl.** **26-02**

(52) **U.S. Cl.** **D26/46**

(58) **Field of Classification Search** D26/37,
D26/38, 41, 44, 46, 48, 50, 51, 52, 63; 362/157,
362/158, 159, 183, 192, 193, 200, 208
See application file for complete search history.

(56) **References Cited**

U.S. PATENT DOCUMENTS

D430,323 S *	8/2000	Yuen	D26/46
D485,628 S *	1/2004	Yuen	D26/37
D520,165 S *	5/2006	Yuen	D26/46
D529,650 S *	10/2006	Yuen	D26/46
D531,336 S *	10/2006	Yuen	D26/46
D532,916 S *	11/2006	Yuen	D26/46
D533,673 S *	12/2006	Yuen	D26/46
D534,290 S *	12/2006	Yuen	D26/46
D536,815 S *	2/2007	Yuen	D26/46
D537,184 S *	2/2007	Yuen	D26/46

* cited by examiner

Primary Examiner—Ian Simmons

Assistant Examiner—Carissa Fitts

(74) *Attorney, Agent, or Firm*—Akerman Senterfitt

(57) **CLAIM**

The ornamental design of an LED spotlight, as shown and described.

DESCRIPTION

FIG. 1 is a front, top and side perspective view of an LED spotlight;

FIG. 2 is a perspective view thereof with the lower rail member shown in an extended position;

FIG. 3 is a rear, bottom and other side perspective view thereof;

FIG. 4 is a perspective view thereof with the handle portion shown in an extended position;

FIG. 5 is a front view of FIG. 1 thereof;

FIG. 6 is a rear view thereof;

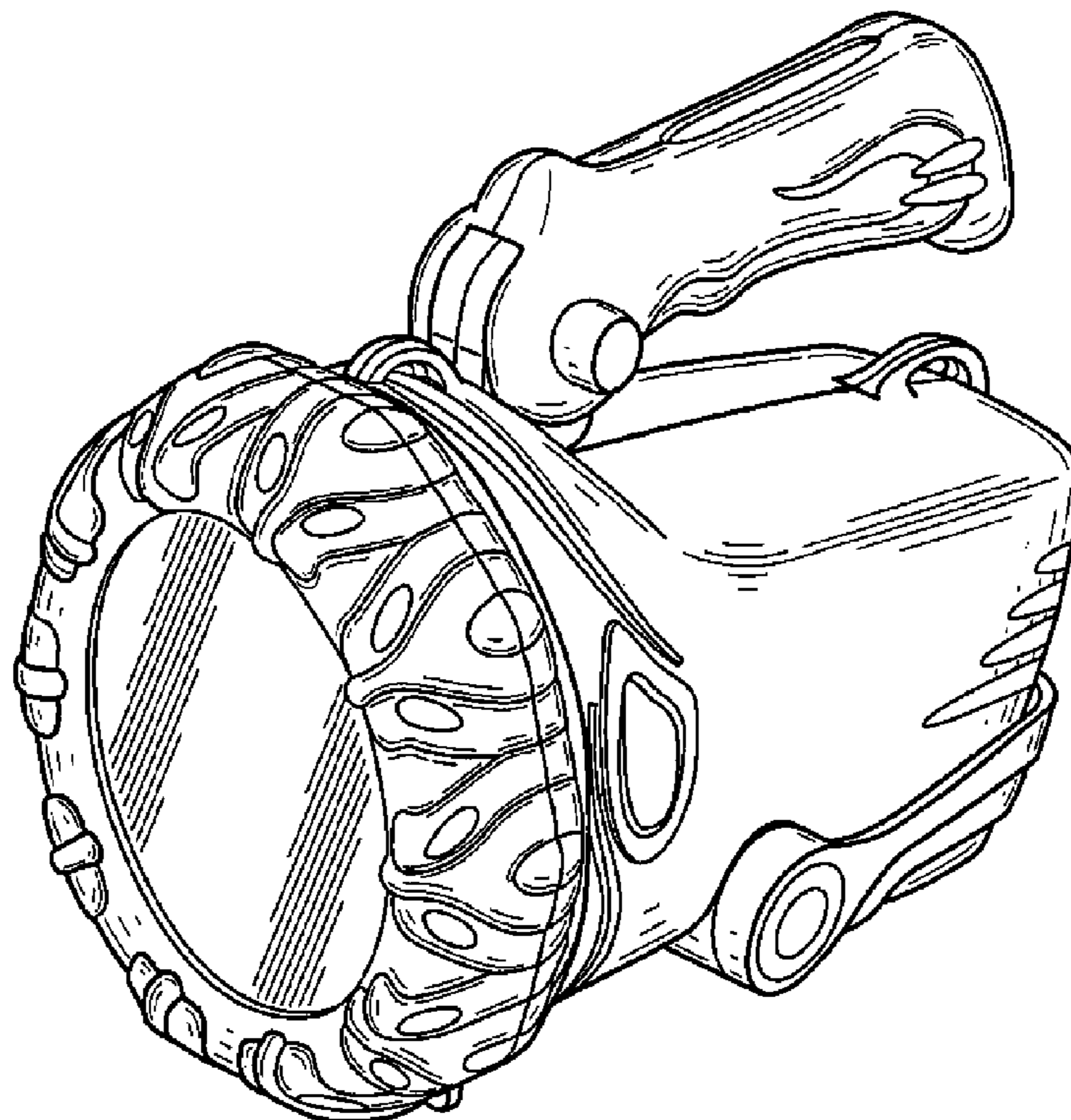
FIG. 7 is a side view thereof;

FIG. 8 is the other side view thereof;

FIG. 9 is a top view thereof; and,

FIG. 10 is a bottom view thereof.

1 Claim, 5 Drawing Sheets



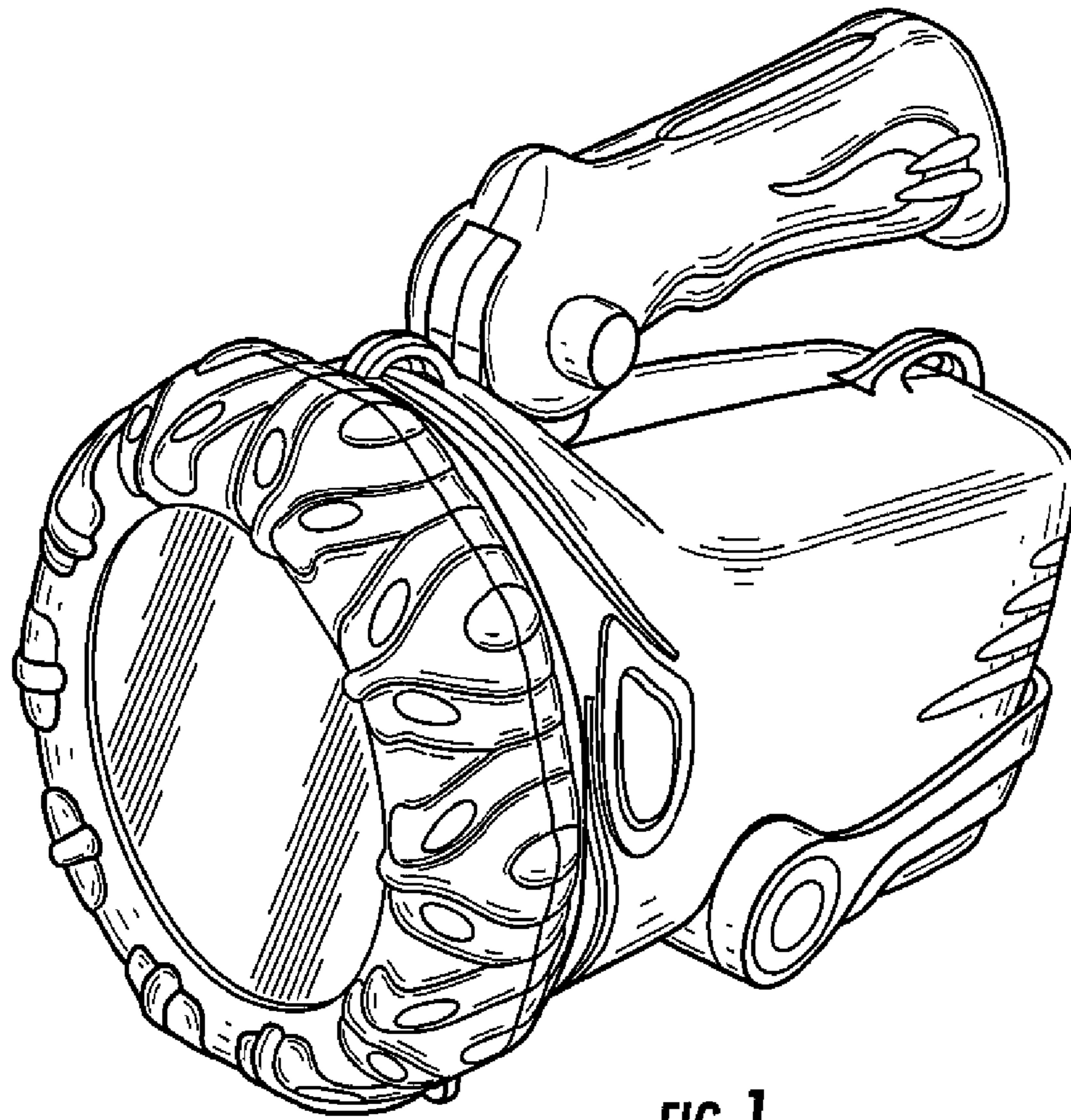


FIG. 1

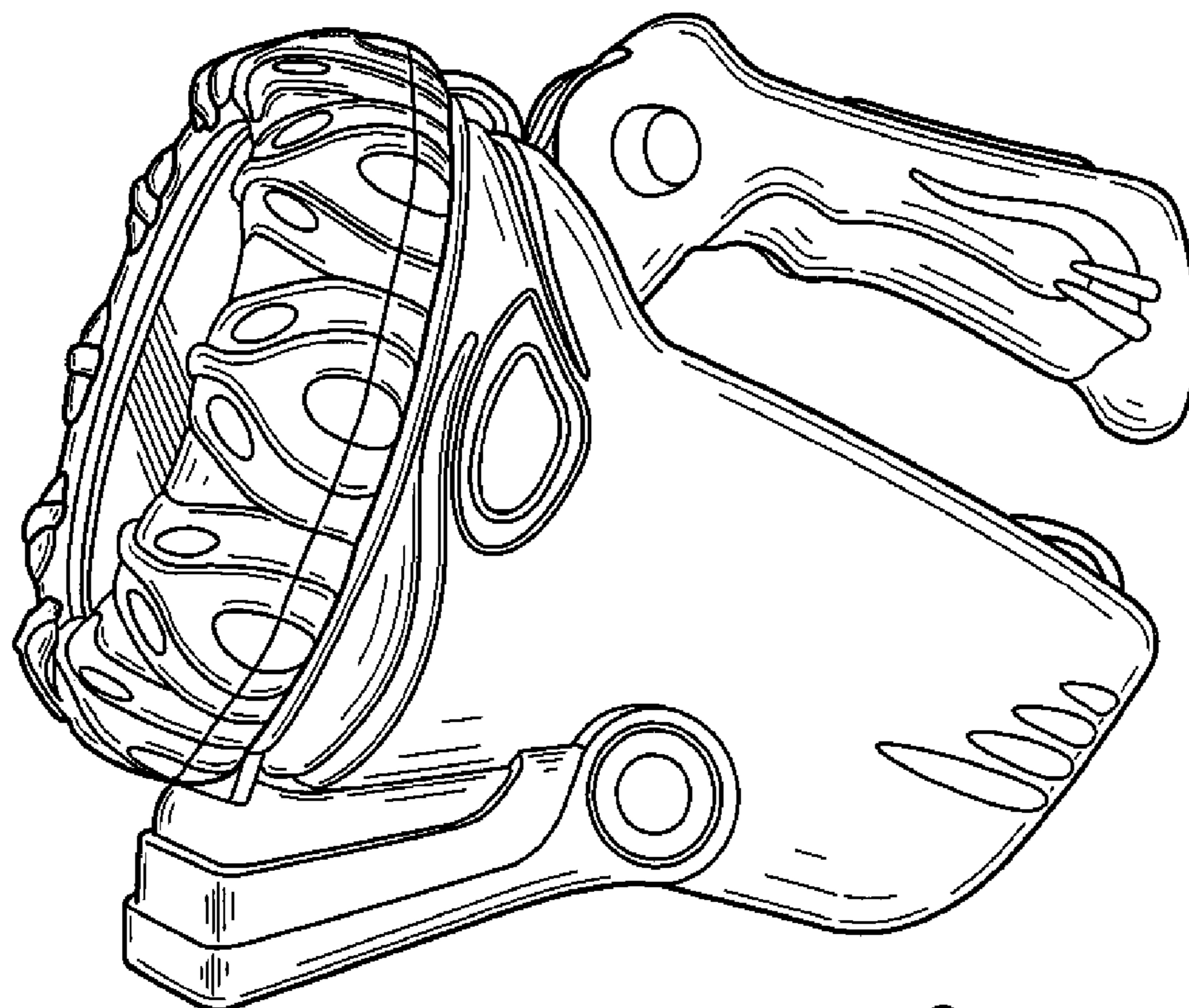


FIG. 2

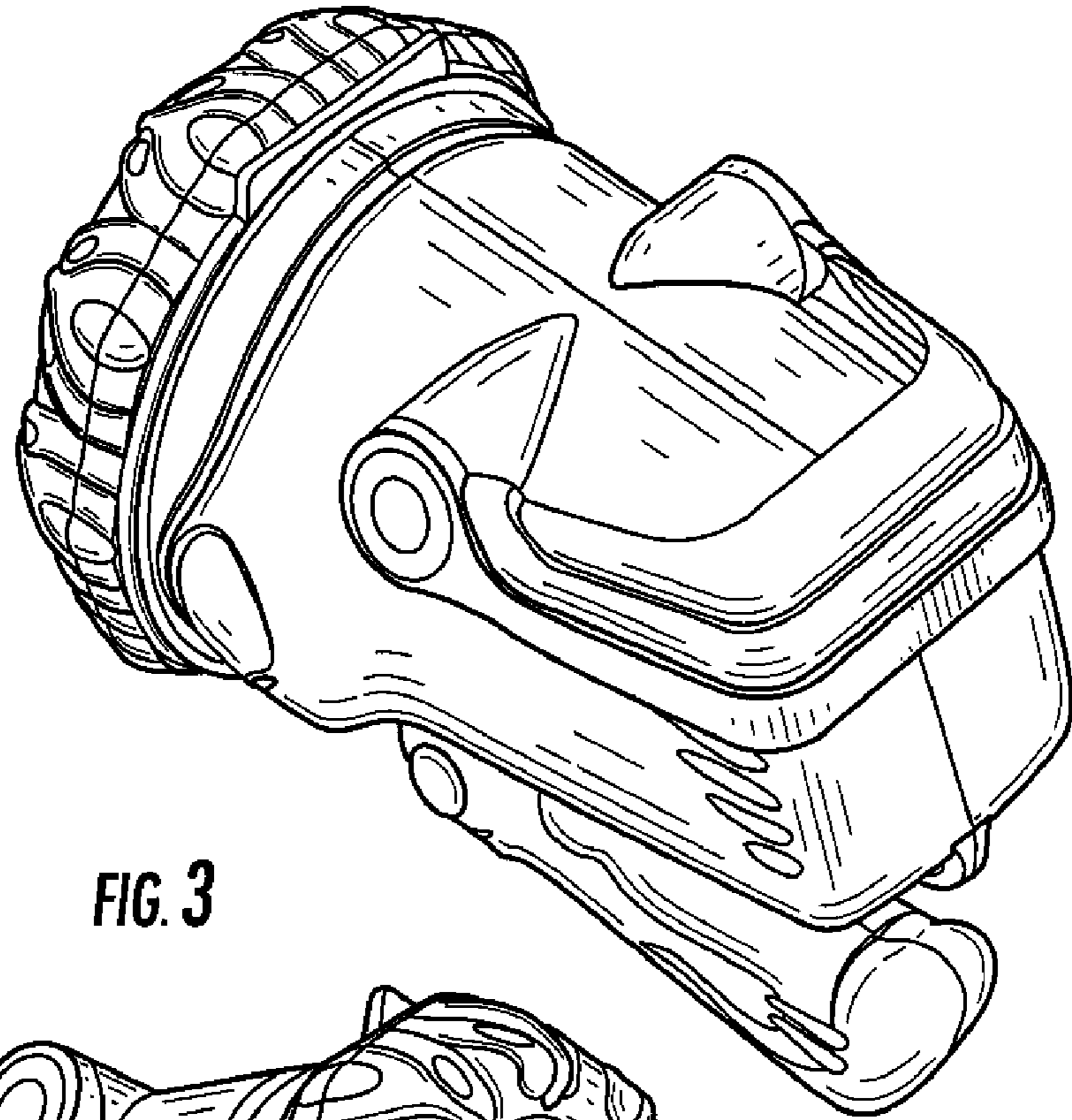


FIG. 3

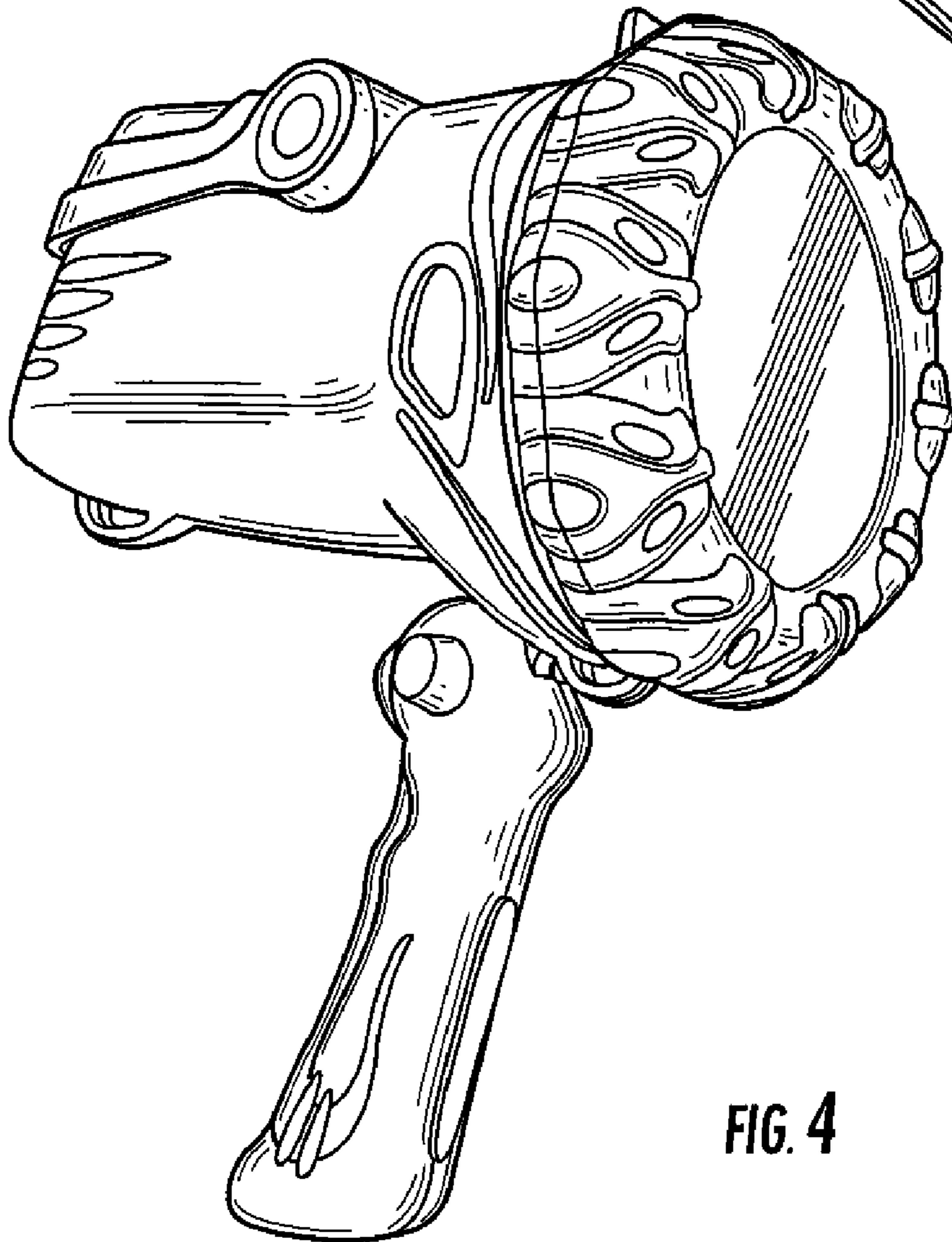


FIG. 4

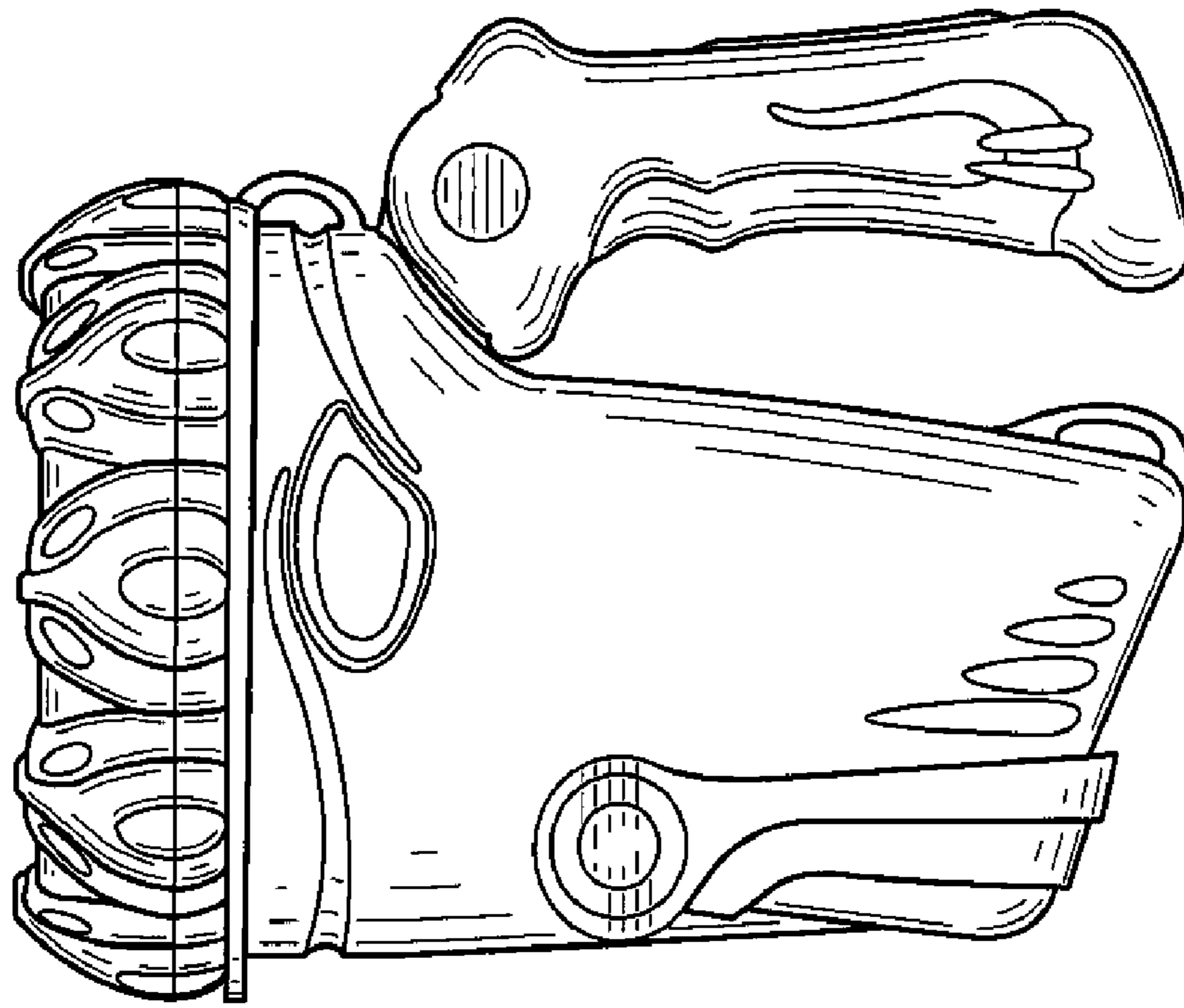


FIG. 5

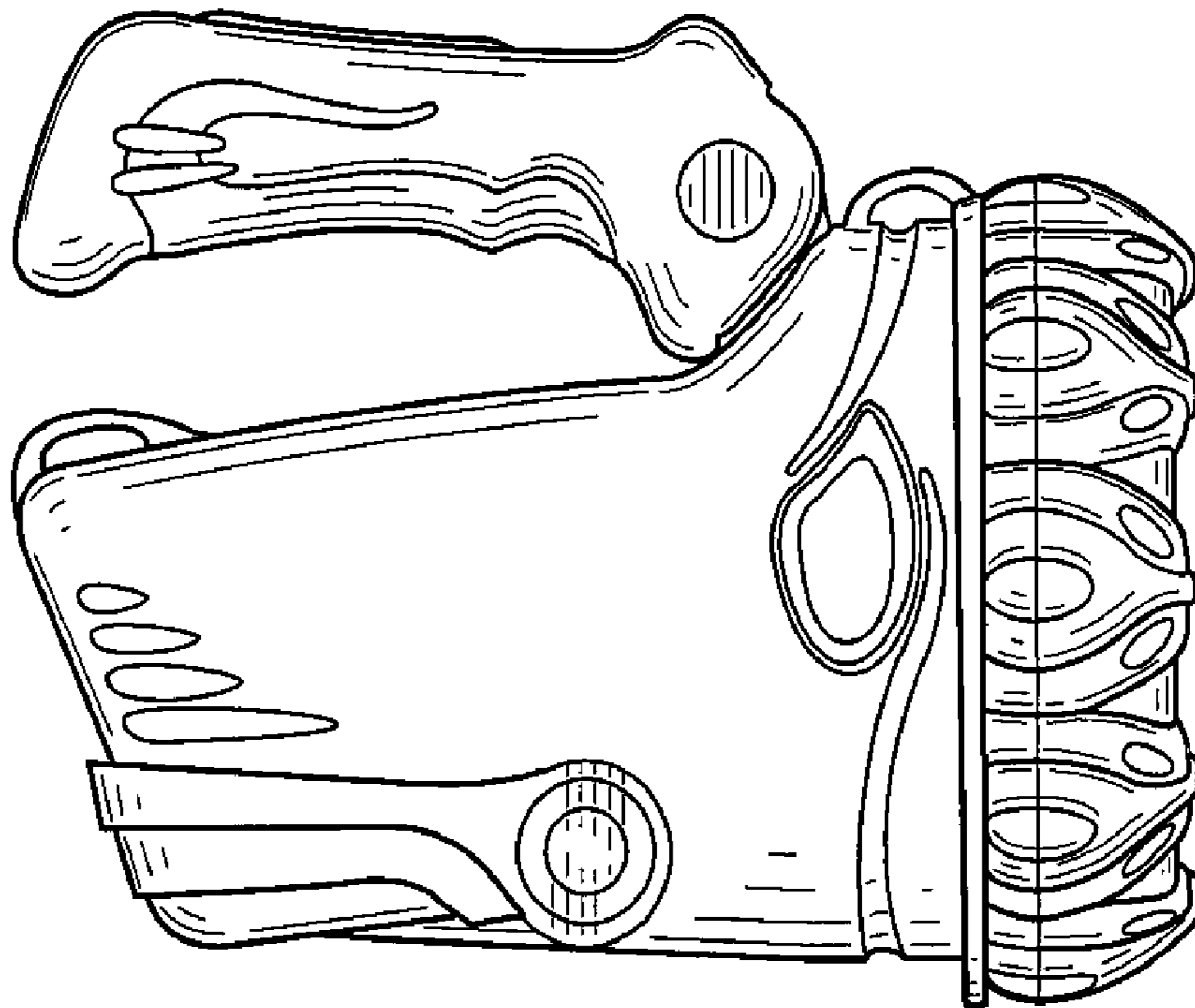


FIG. 6

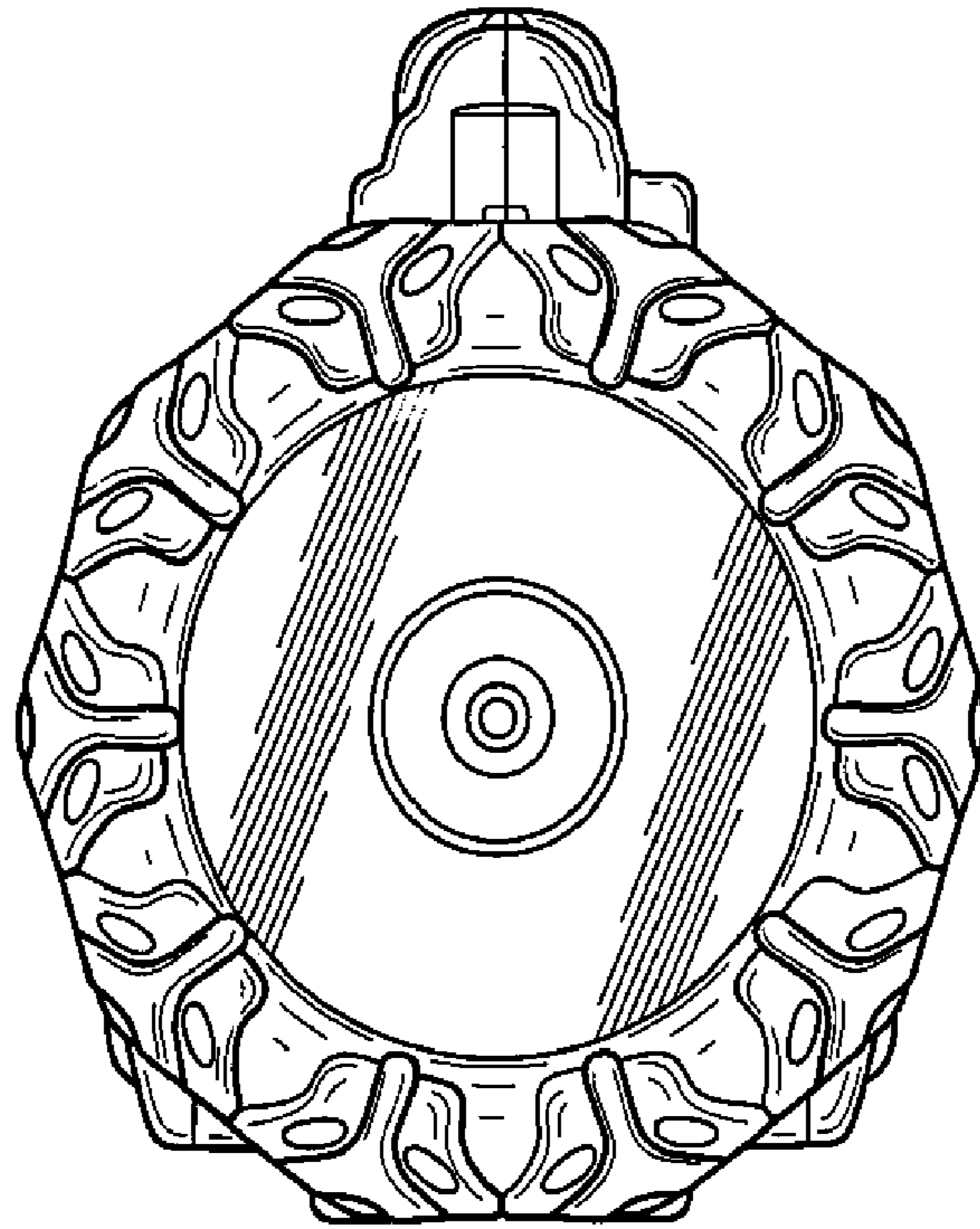


FIG. 7

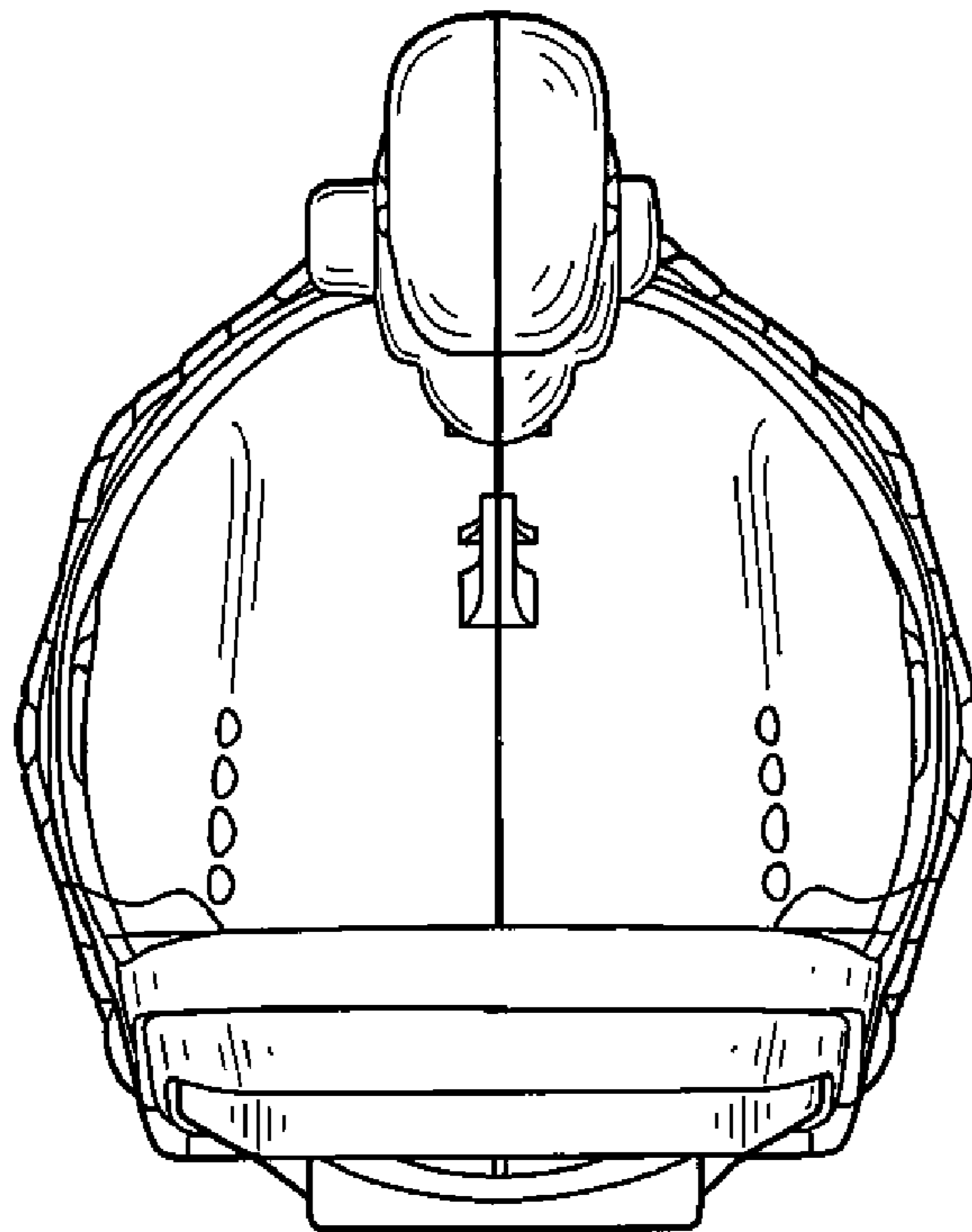


FIG. 8

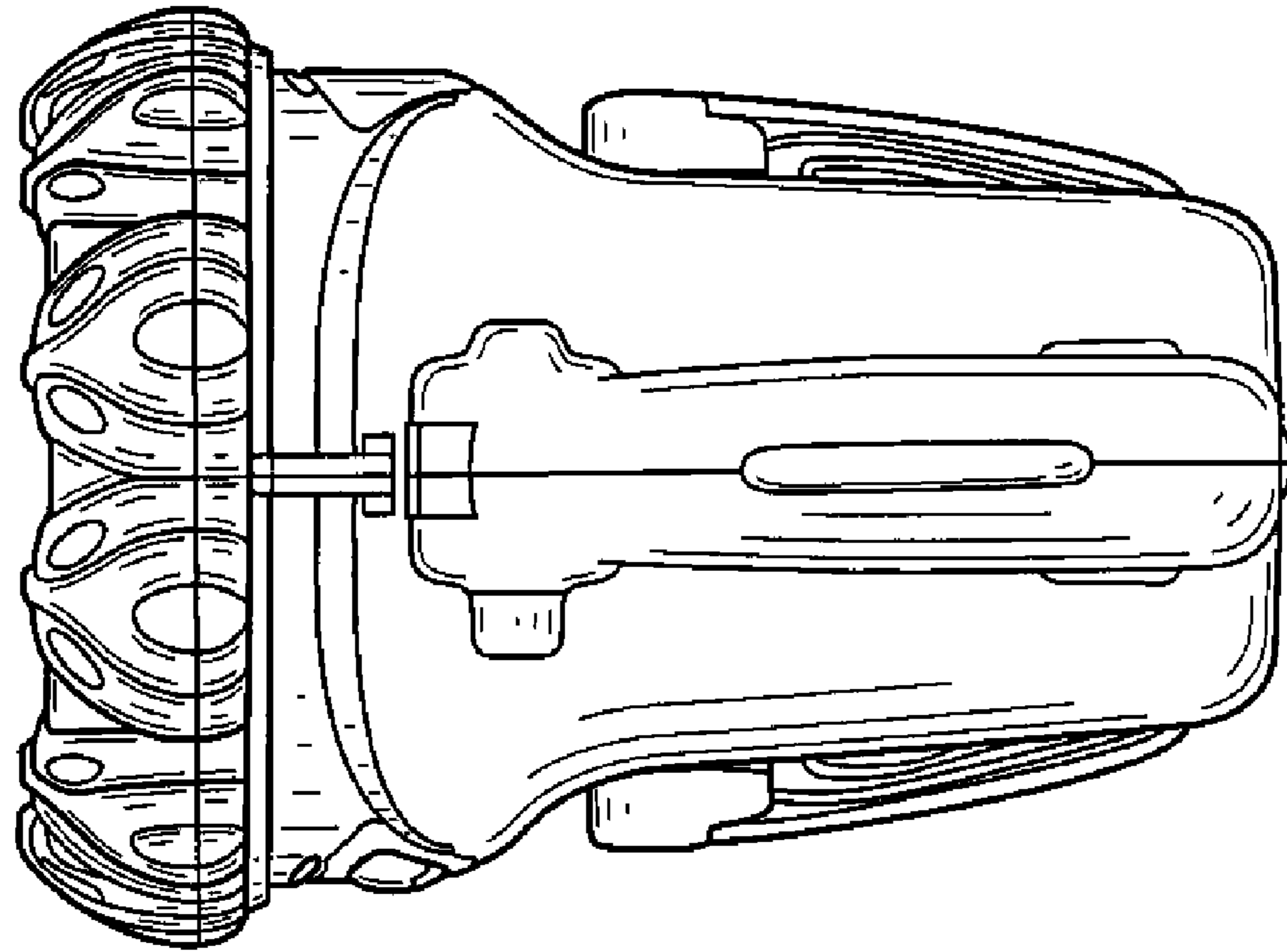


FIG. 9

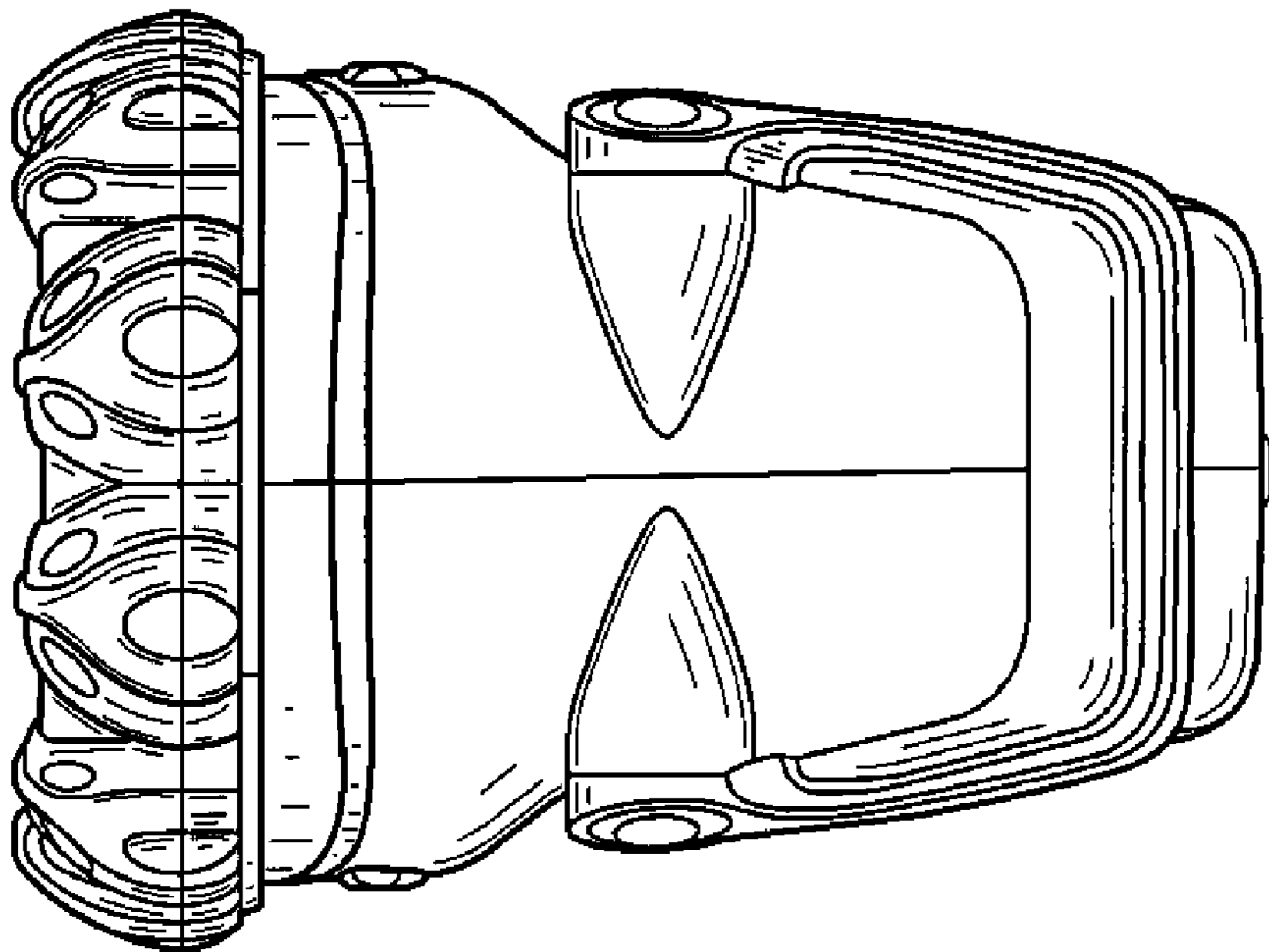


FIG. 10