



US00D548865S

(12) **United States Design Patent**
Meoli et al.

(10) **Patent No.:** **US D548,865 S**

(45) **Date of Patent:** **** Aug. 14, 2007**

(54) **SOLAR LANTERN**

D485,385 S * 1/2004 Lo D26/40
D542,953 S * 5/2007 Lee D26/40

(76) Inventors: **Rudy B. Meoli**, 8150 E. Oak Ridge
Cir., Anahiem Hills, CA (US) 92808;
Rich L. Lookabaugh, 957 N. Elm St.,
Orange, CA (US) 92867

* cited by examiner

Primary Examiner—Marcus A. Jackson
(74) *Attorney, Agent, or Firm*—Philip T. Virga

(**) Term: **14 Years**

(57) **CLAIM**

(21) Appl. No.: **29/285,758**

The ornamental design for solar lantern, as shown and described.

(22) Filed: **Apr. 10, 2007**

(51) **LOC (8) Cl.** **26-02**

(52) **U.S. Cl.** **D26/40**

(58) **Field of Classification Search** D26/37-50;
362/157, 158, 171-174, 183-208
See application file for complete search history.

DESCRIPTION

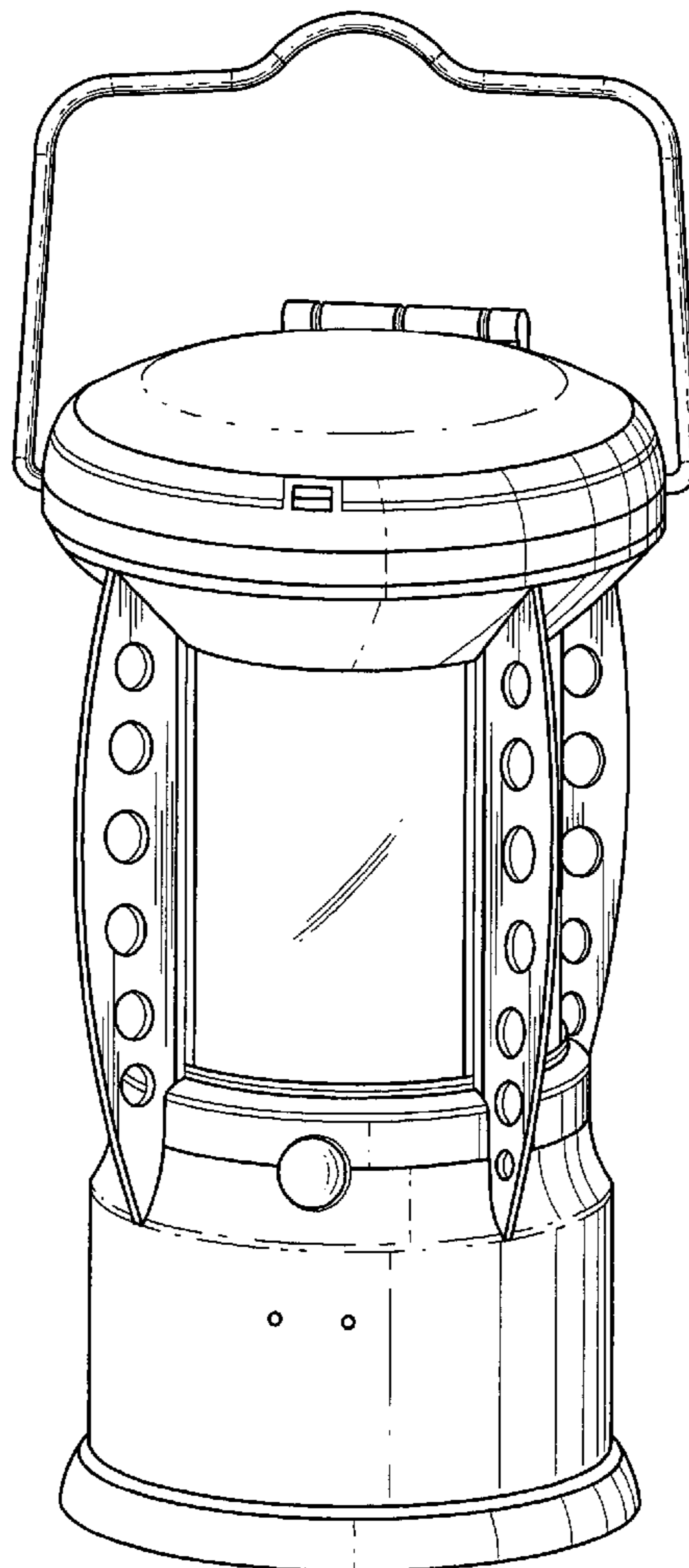
FIG. 1 is a perspective view of a solar lantern;
FIG. 2 is a front elevational view of FIG. 1;
FIG. 3 is a side elevational view of FIG. 1;
FIG. 4 is a rear elevational view of FIG. 1;
FIG. 5 is a top plan view of FIG. 1; and,
FIG. 6 is a perspective view of the solar lantern with the
solar panel deployed.

(56) **References Cited**

U.S. PATENT DOCUMENTS

D429,354 S * 8/2000 Petterson D26/40
D468,039 S * 12/2002 Poon D26/40
D483,892 S * 12/2003 Poon D26/40

1 Claim, 6 Drawing Sheets



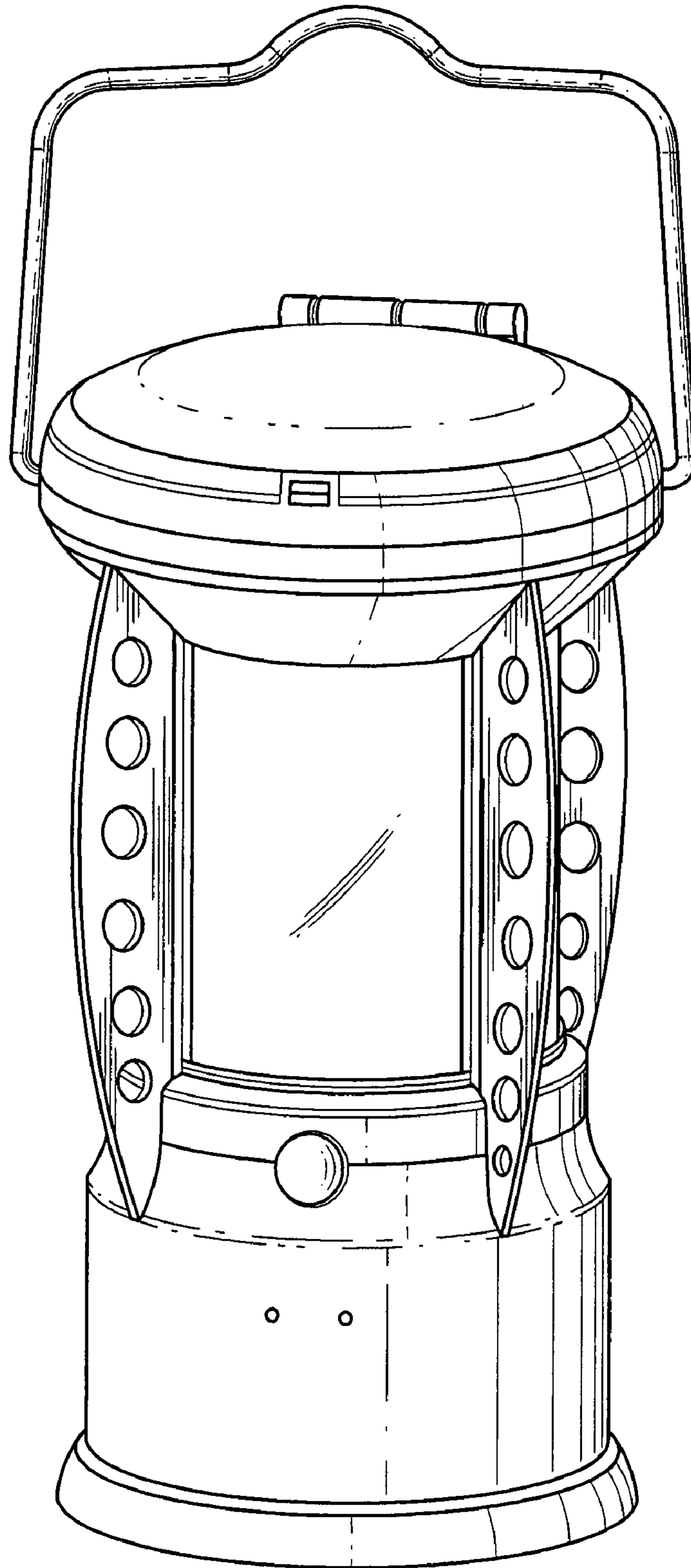


FIG. 1

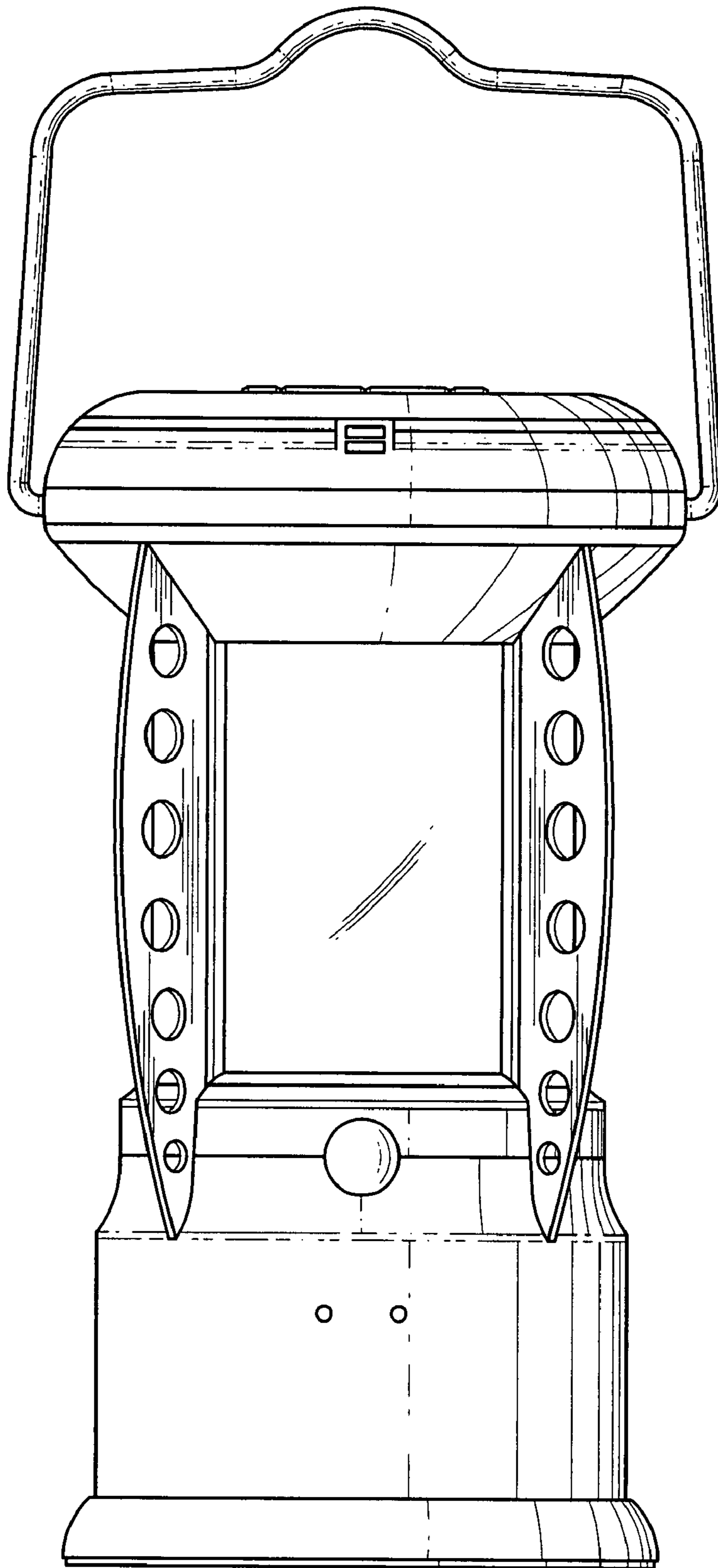


FIG. 2

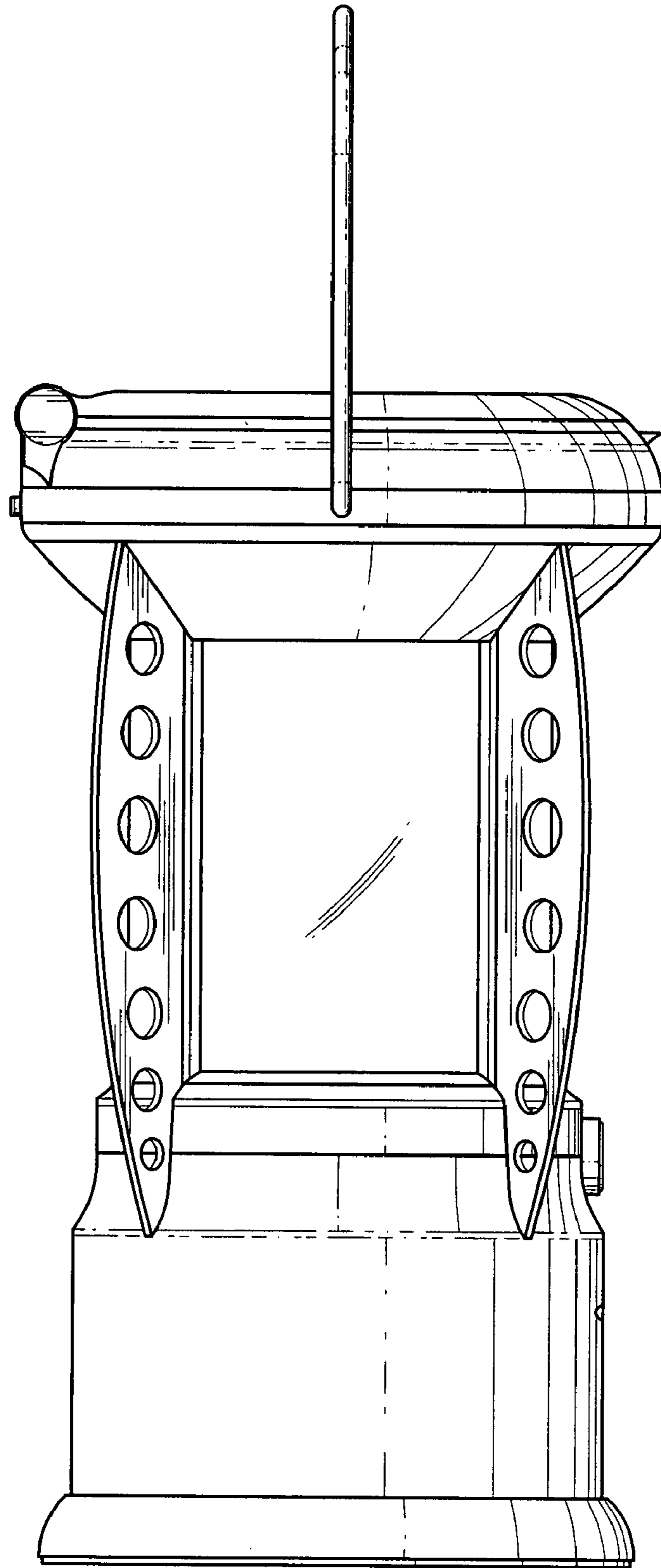


FIG. 3

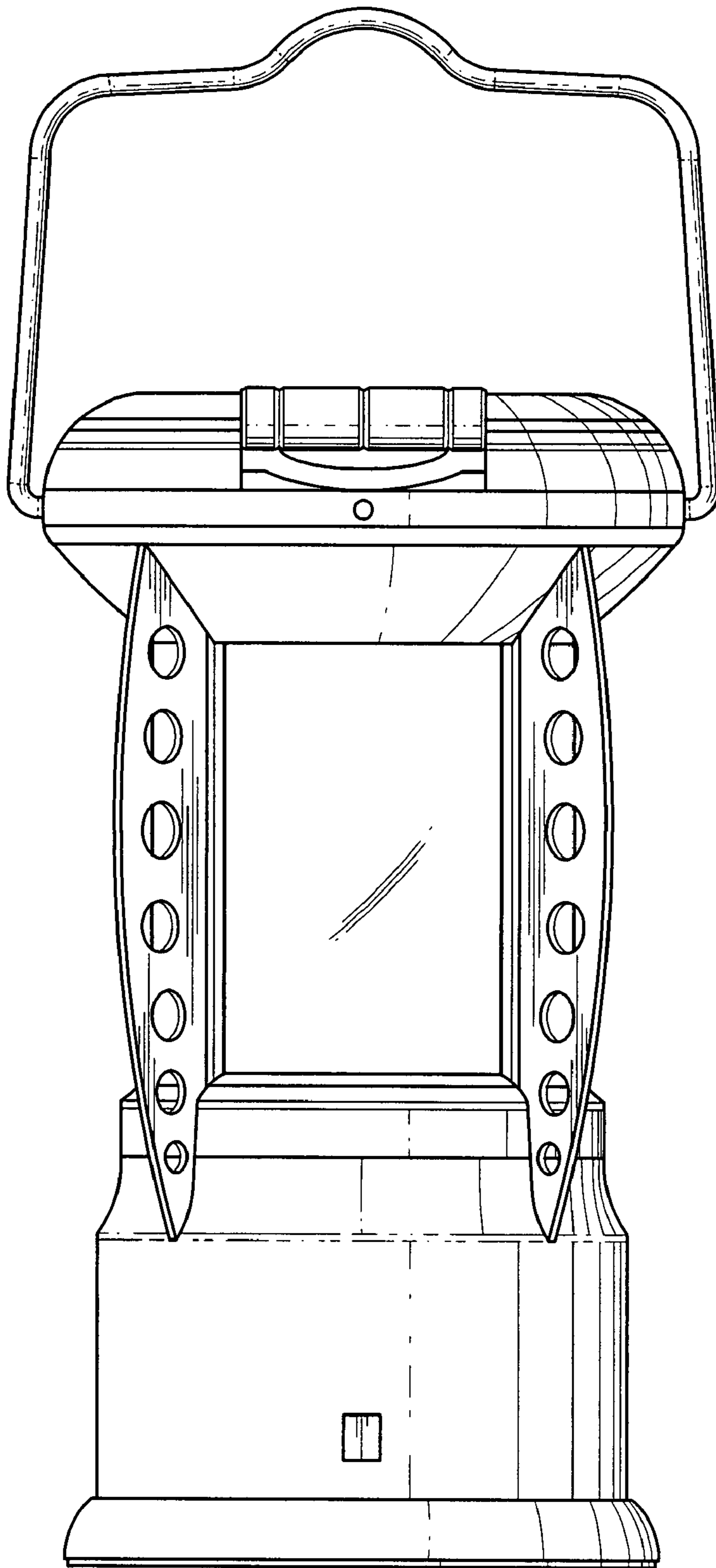


FIG. 4

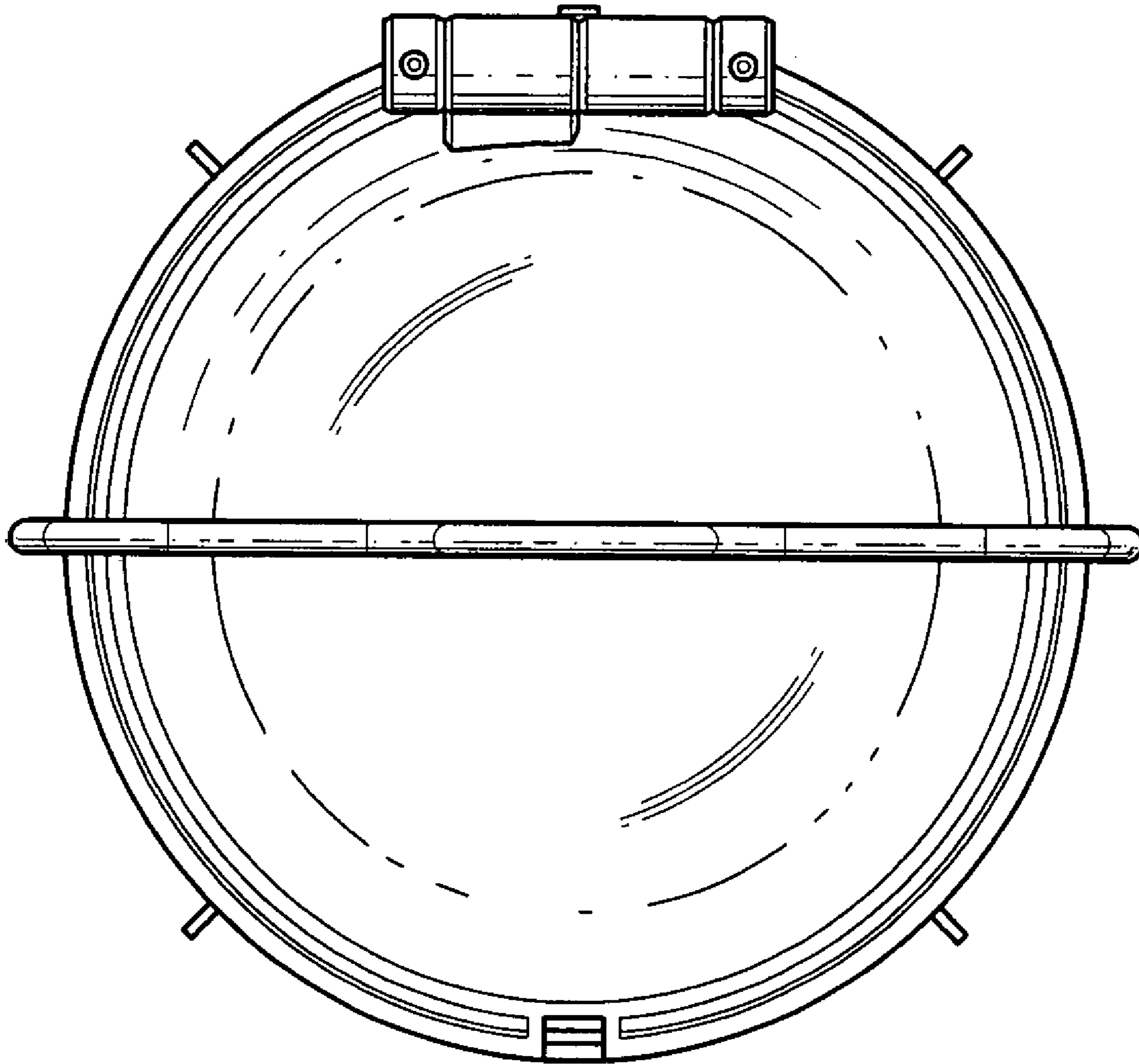


FIG. 5

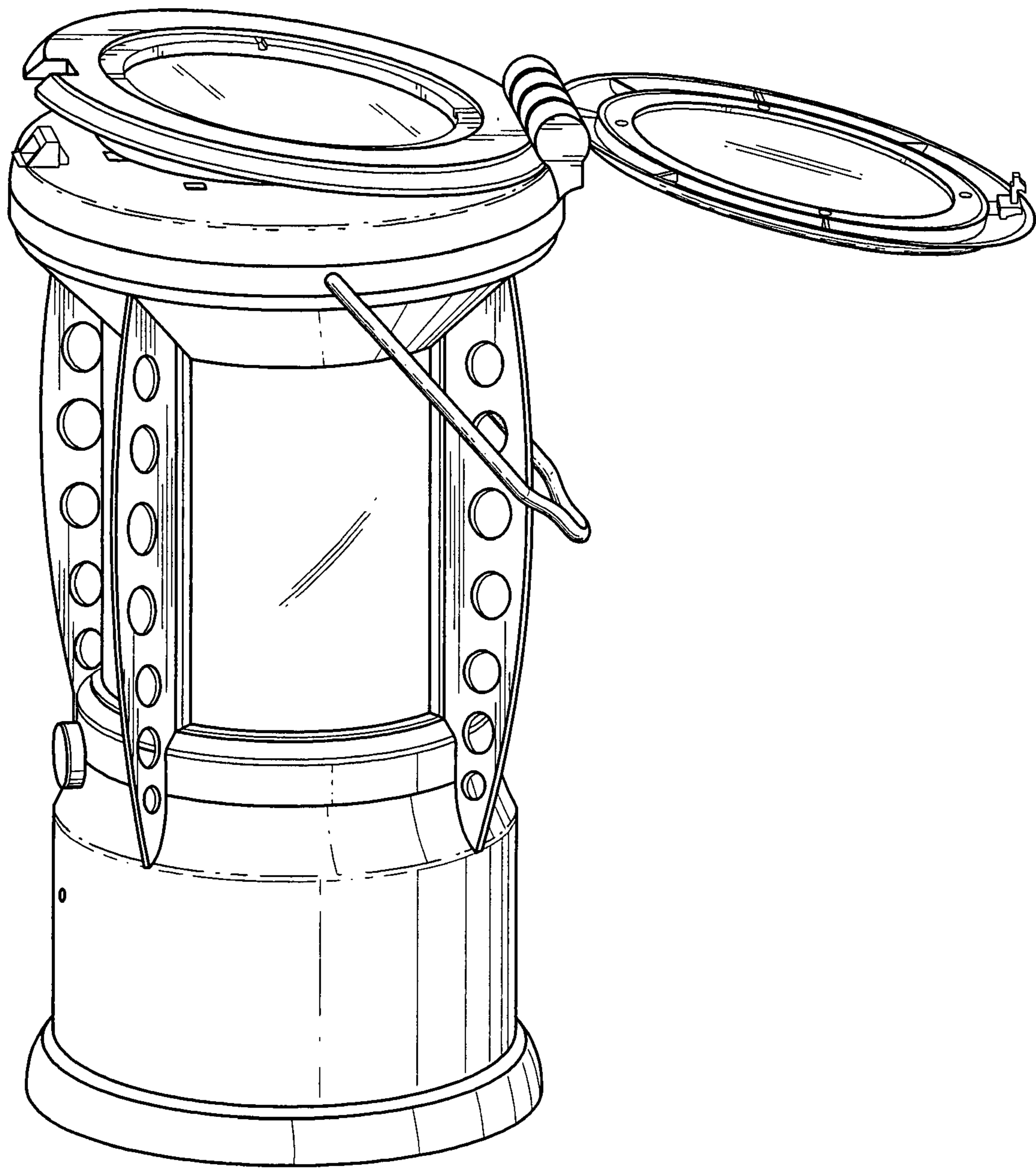


FIG. 6