



US00D548864S

(12) **United States Design Patent**
Lee

(10) **Patent No.:** **US D548,864 S**

(45) **Date of Patent:** **** Aug. 14, 2007**

(54) **RECHARGEABLE CAMPING LANTERN WITH RADIO**

(75) Inventor: **Kenneth Lee**, New Territories (CN)

(73) Assignee: **Ten Forward Limited**, Tsuen Wan, New Territories, Hong Kong (CN)

(**) Term: **14 Years**

(21) Appl. No.: **29/271,628**

(22) Filed: **Jan. 23, 2007**

(30) **Foreign Application Priority Data**

Jul. 27, 2006 (HK) 0601963

(51) **LOC (8) Cl.** **26-02**

(52) **U.S. Cl.** **D26/38**

(58) **Field of Classification Search** D26/37-50, D26/38; 362/157, 158, 171-174, 183-208
See application file for complete search history.

(56) **References Cited**

U.S. PATENT DOCUMENTS

D312,317 S * 11/1990 Tang D26/42

D452,023 S * 12/2001 Poon D26/48

D486,932 S * 2/2004 Dario et al. D26/40

D487,597 S * 3/2004 Leung et al. D26/40

D505,128 S * 5/2005 Lam D14/168

D509,920 S * 9/2005 Fritz et al. D26/40

* cited by examiner

Primary Examiner—Marcus A. Jackson

(74) *Attorney, Agent, or Firm*—Alix, Yale & Ristas, LLP

(57) **CLAIM**

The ornamental design for a rechargeable camping lantern with radio, as shown and described.

DESCRIPTION

FIG. 1 is a front elevational view of a rechargeable camping lantern with radio showing my new design;

FIG. 2 is a rear view thereof;

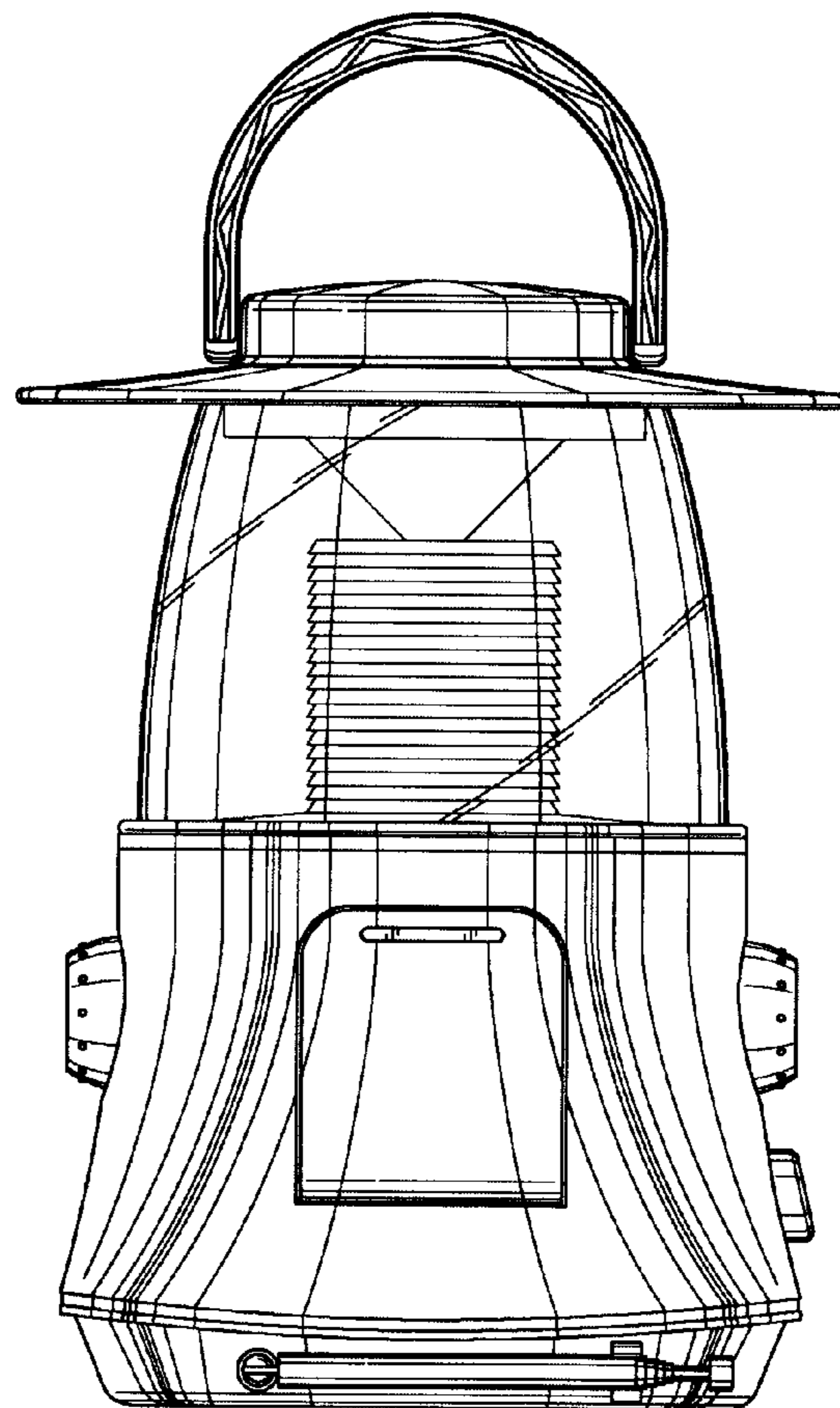
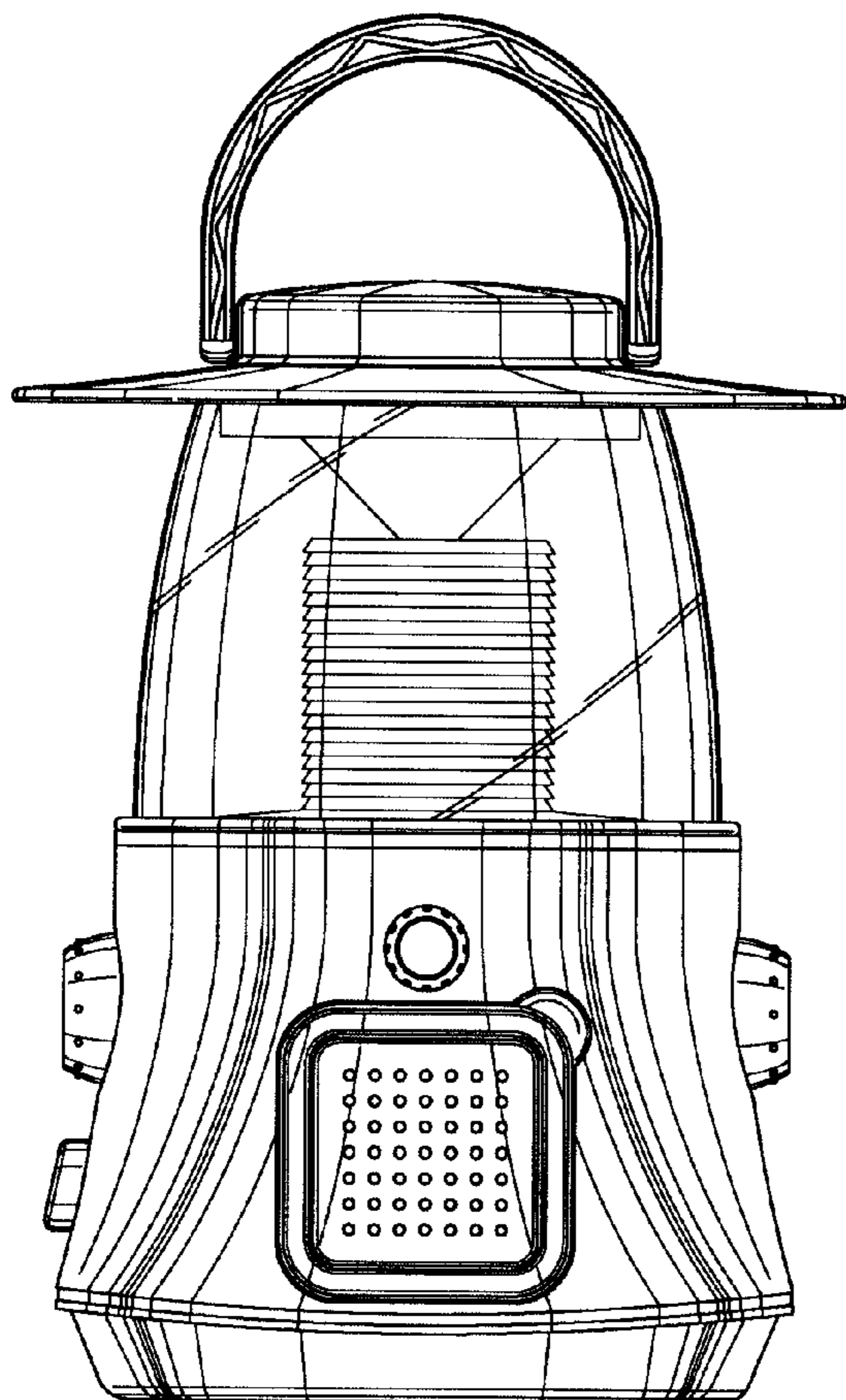
FIG. 3 is a left side elevational view thereof;

FIG. 4 is a right side elevational view thereof;

FIG. 5 is a top plan view thereof; and,

FIG. 6 is a bottom plan view thereof.

1 Claim, 3 Drawing Sheets



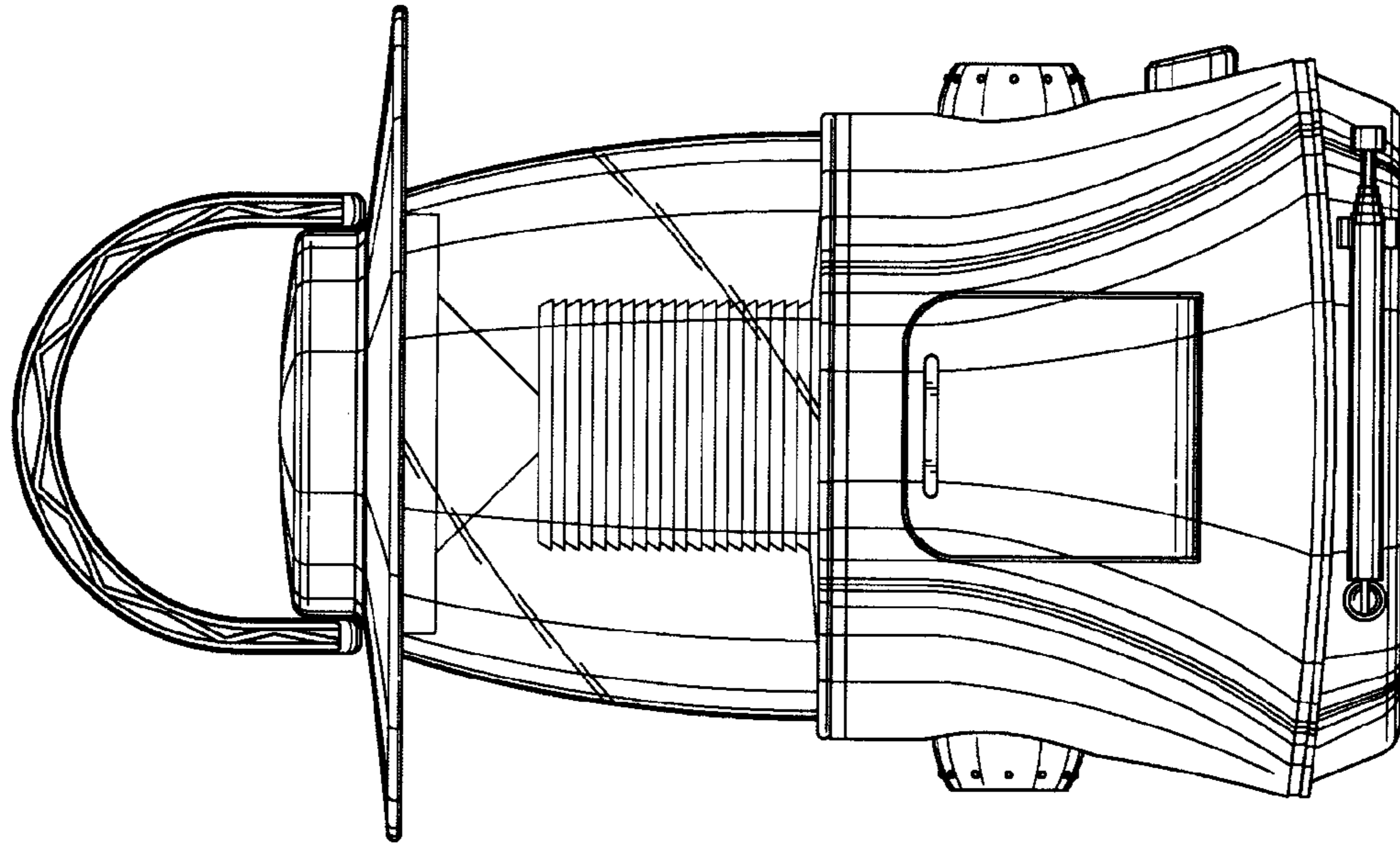


FIG. 1

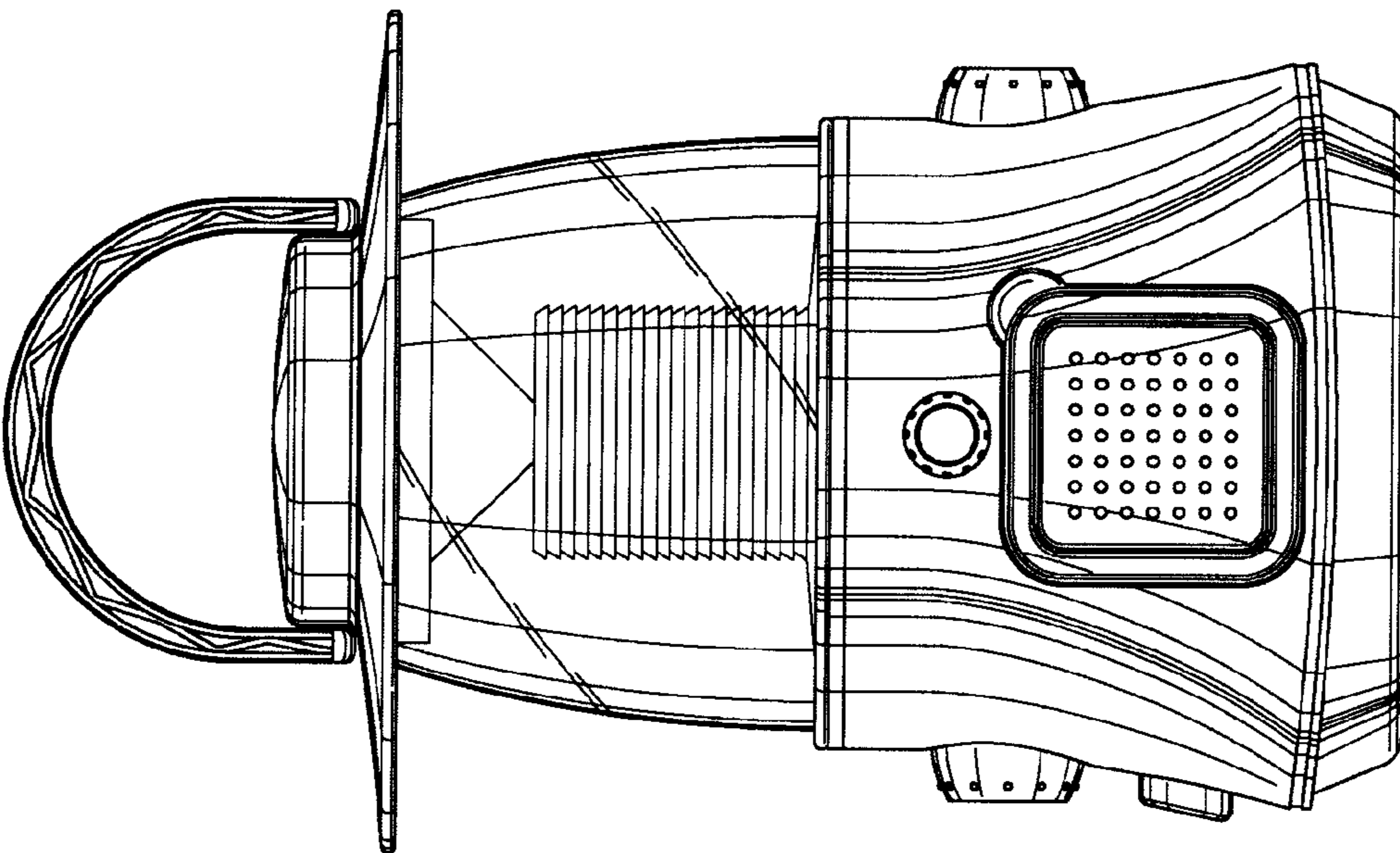


FIG. 2

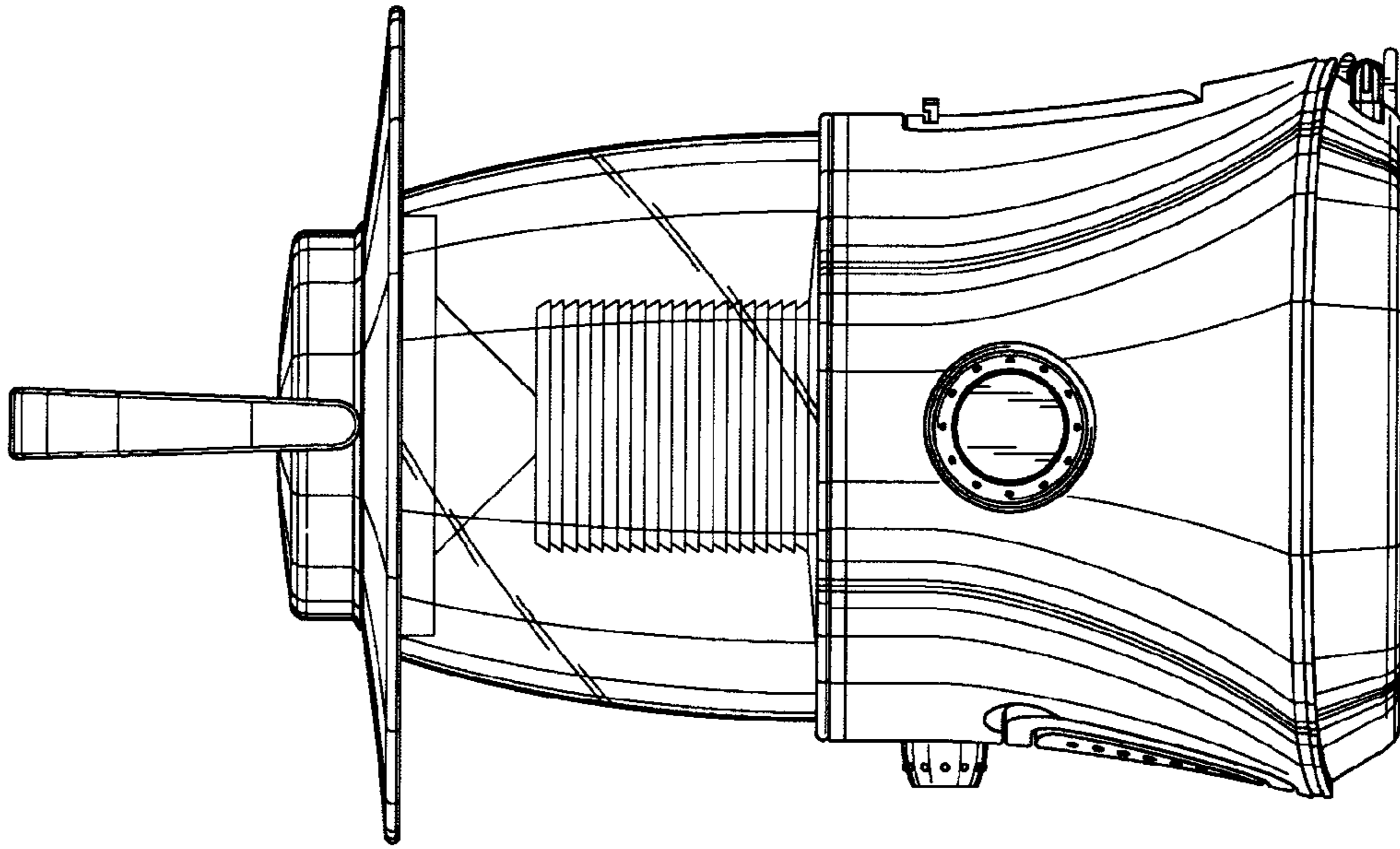


FIG. 4

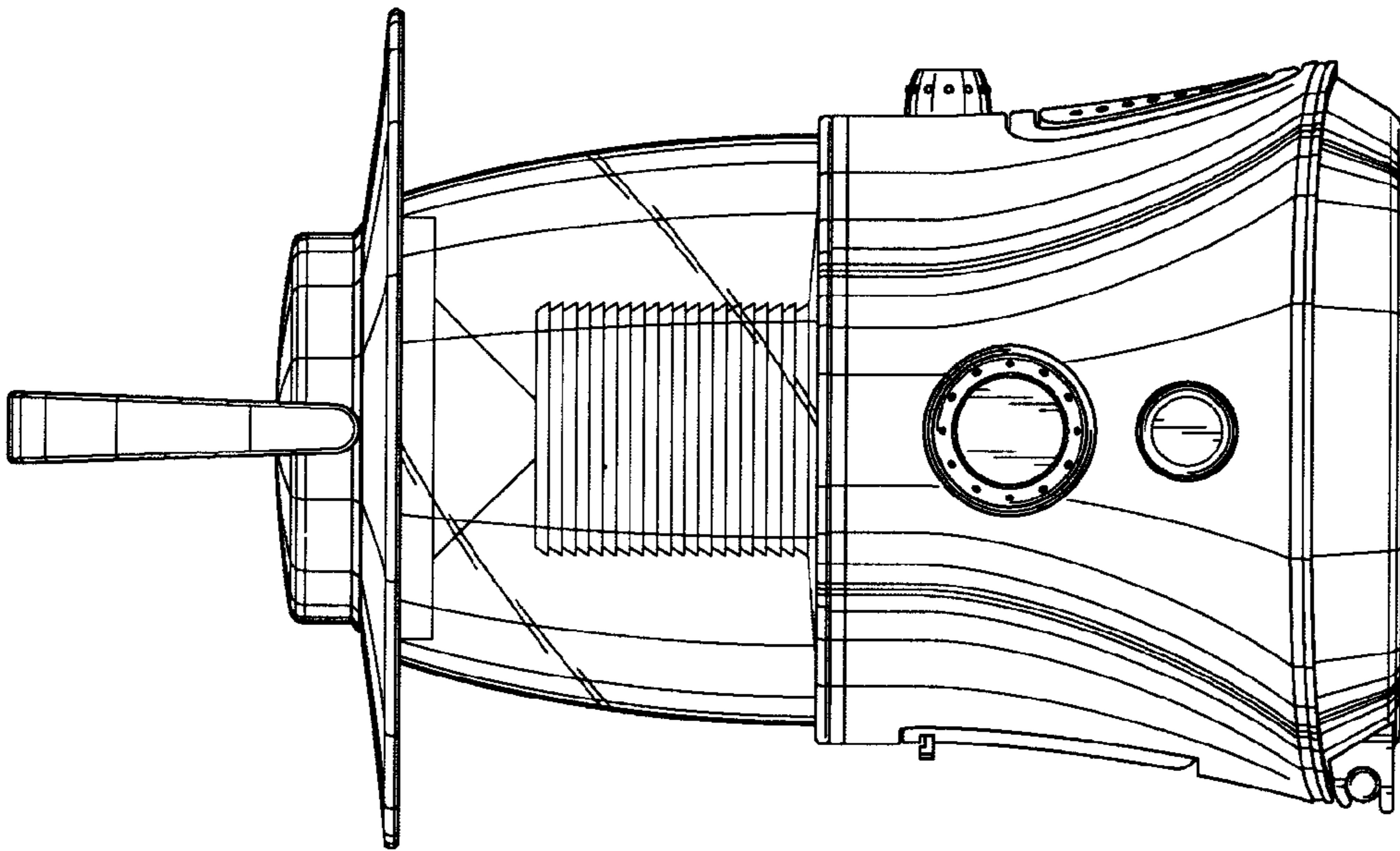


FIG. 3

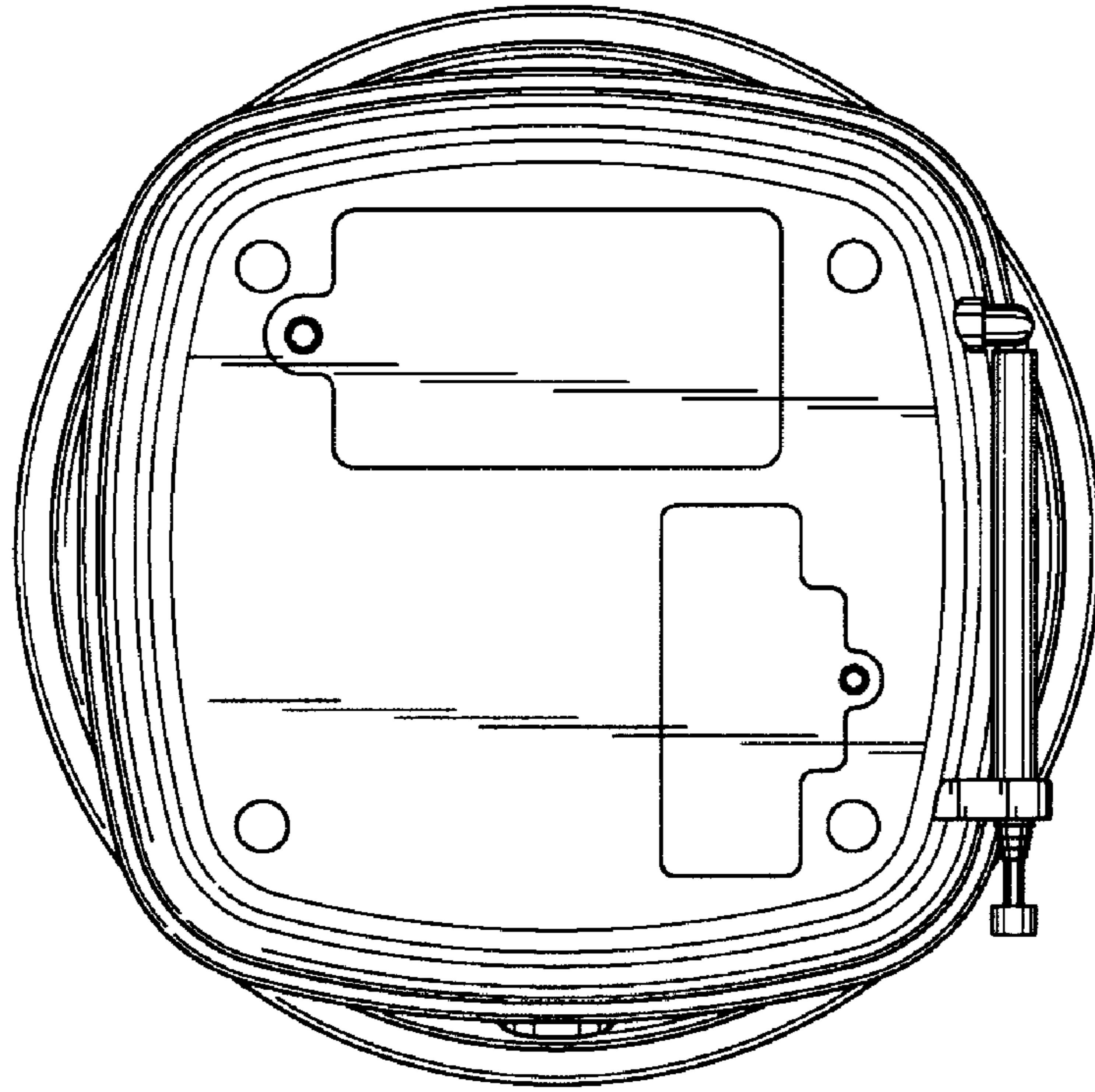


FIG. 6

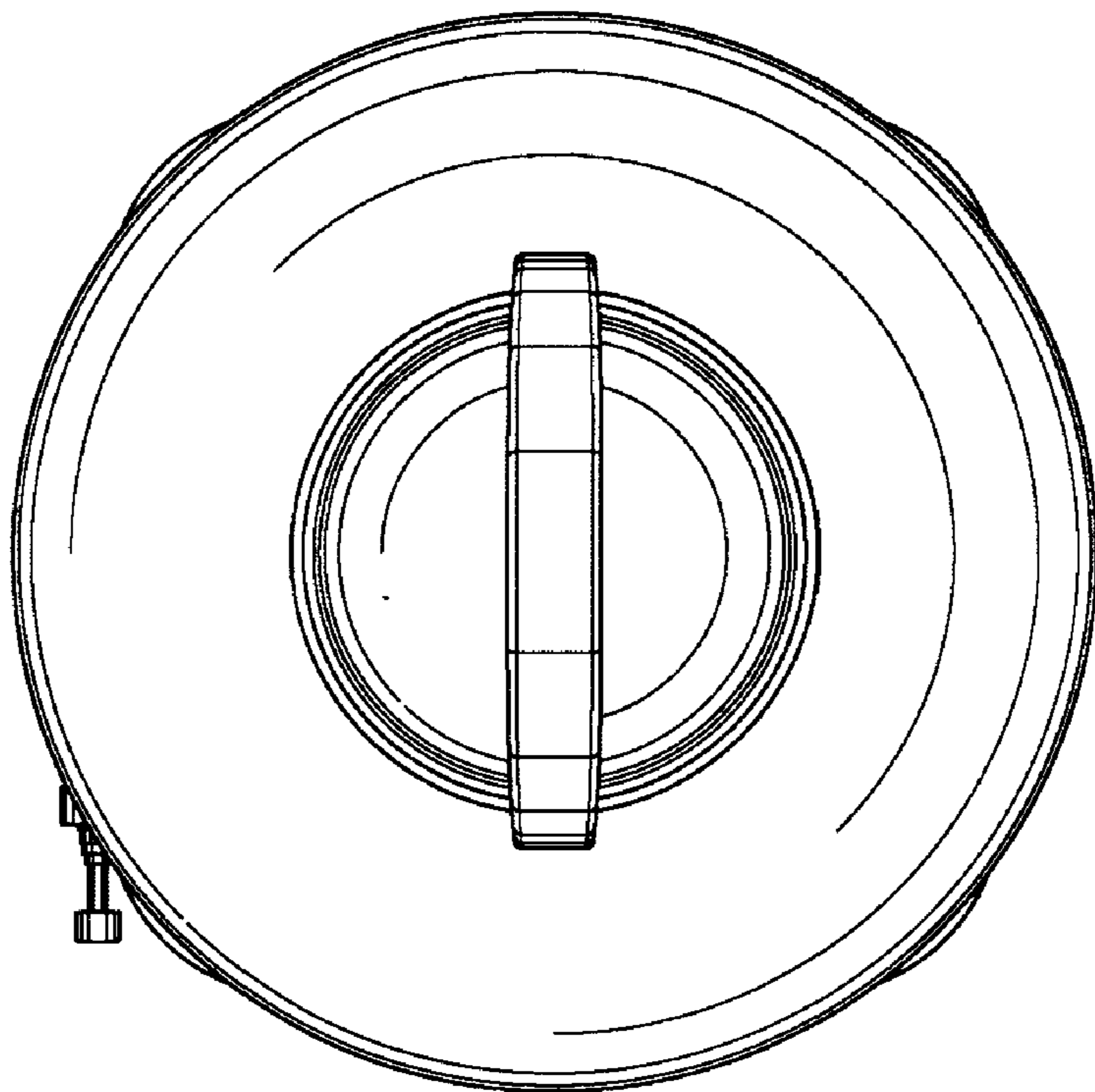


FIG. 5