

US00D548857S

(12) **United States Design Patent**
Egawa

(10) **Patent No.:** **US D548,857 S**

(45) **Date of Patent:** **** Aug. 14, 2007**

(54) **LIGHT EMITTING DIODE LAMP**

(75) Inventor: **Kazuo Egawa**, Tokyo (JP)

(73) Assignee: **Toshiba Lighting & Technology Corporation**, Tokyo (JP)

(**) Term: **14 Years**

(21) Appl. No.: **29/259,652**

(22) Filed: **May 12, 2006**

(30) **Foreign Application Priority Data**

Nov. 16, 2005 (JP) 2005-033840

(51) **LOC (8) Cl.** **26-04**

(52) **U.S. Cl.** **D26/1**

(58) **Field of Classification Search** D26/1-4;
313/313, 315, 317, 318, 470, 493, 500
See application file for complete search history.

(56) **References Cited**

U.S. PATENT DOCUMENTS

- D260,398 S * 8/1981 Schindler et al. D26/1
- D291,322 S * 8/1987 Brower et al. D26/1
- D334,990 S * 4/1993 Sekiguchi et al. D26/1

- D508,574 S * 8/2005 Janssen D26/1
- D509,309 S * 9/2005 Janssen D26/1
- D535,037 S * 1/2007 Kim et al. D26/1

* cited by examiner

Primary Examiner—Marcus A. Jackson

(74) *Attorney, Agent, or Firm*—J.C. Patents

(57) **CLAIM**

The ornamental design for light emitting diode lamp, as shown and described.

DESCRIPTION

FIG. 1 is a perspective view of a light emitting diode lamp showing the new design.

FIG. 2 is a front view thereof.

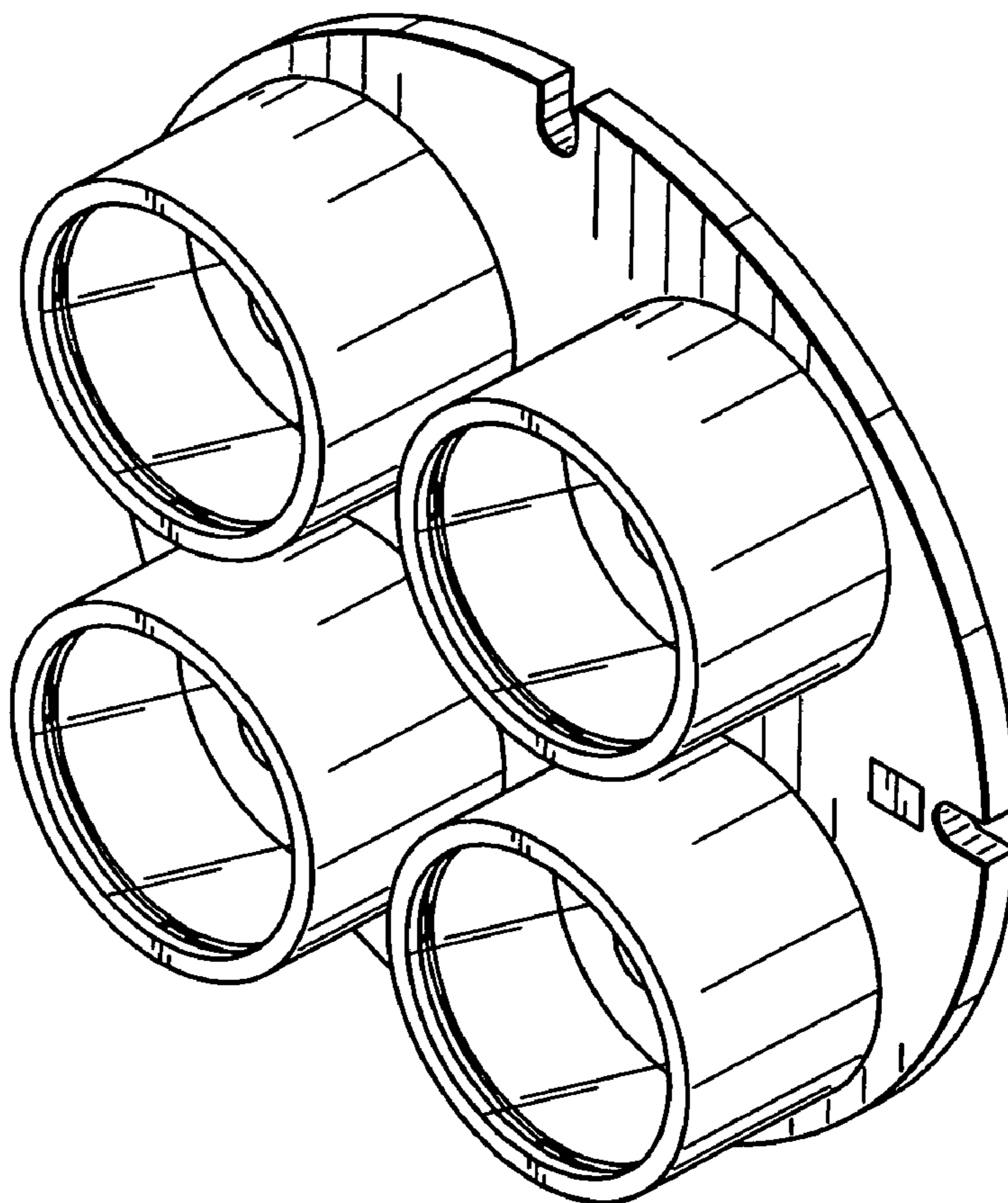
FIG. 3 is a rear view thereof.

FIG. 4 is a right side view thereof, the left side view is a mirror image of the right side view.

FIG. 5 is a top view thereof, the bottom view is a mirror image of the top view; and,

FIG. 6 is an end elevational view in section taken along line 6—6 in FIG. 2 with the internal parts omitted.

1 Claim, 5 Drawing Sheets



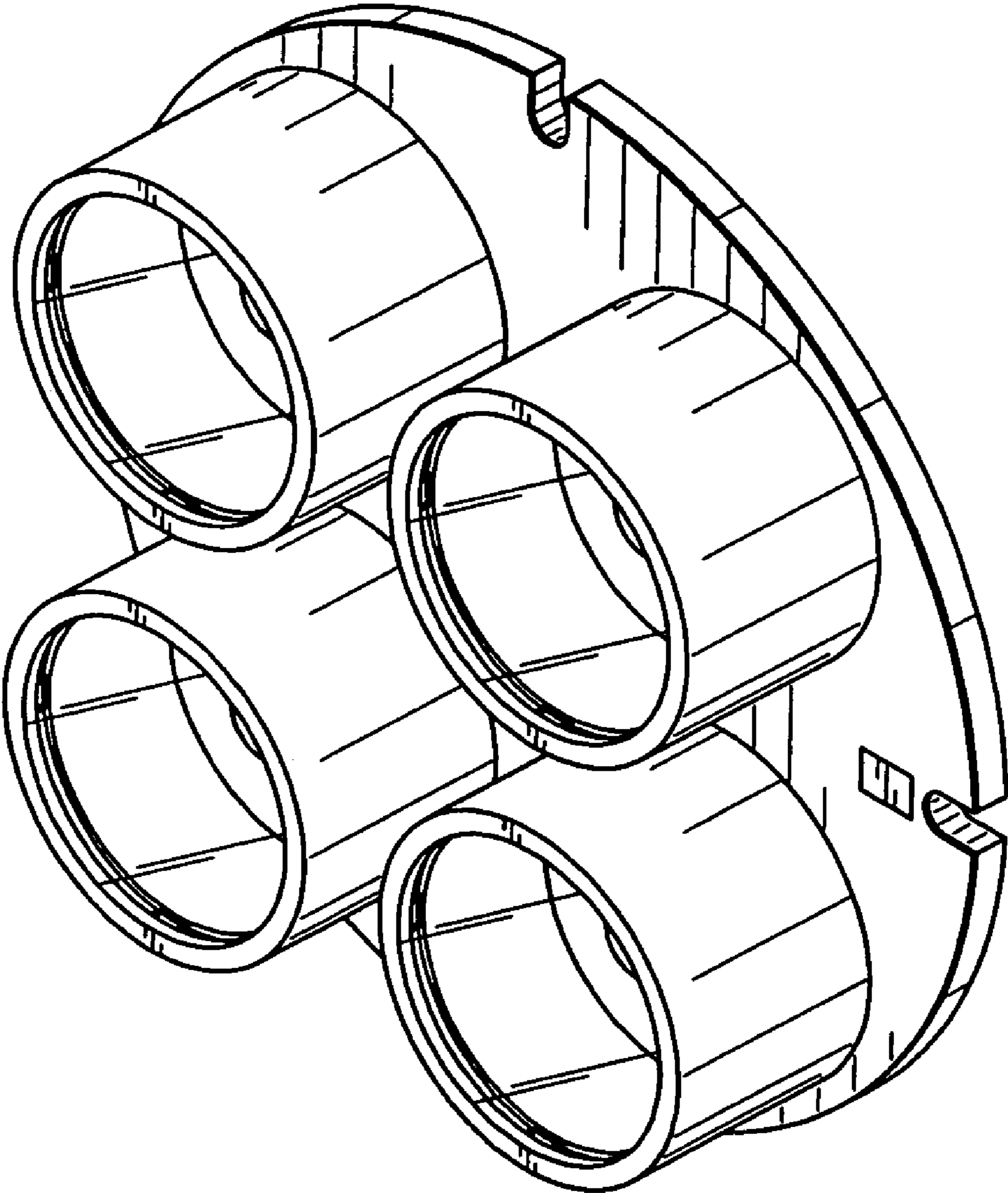


FIG. 1

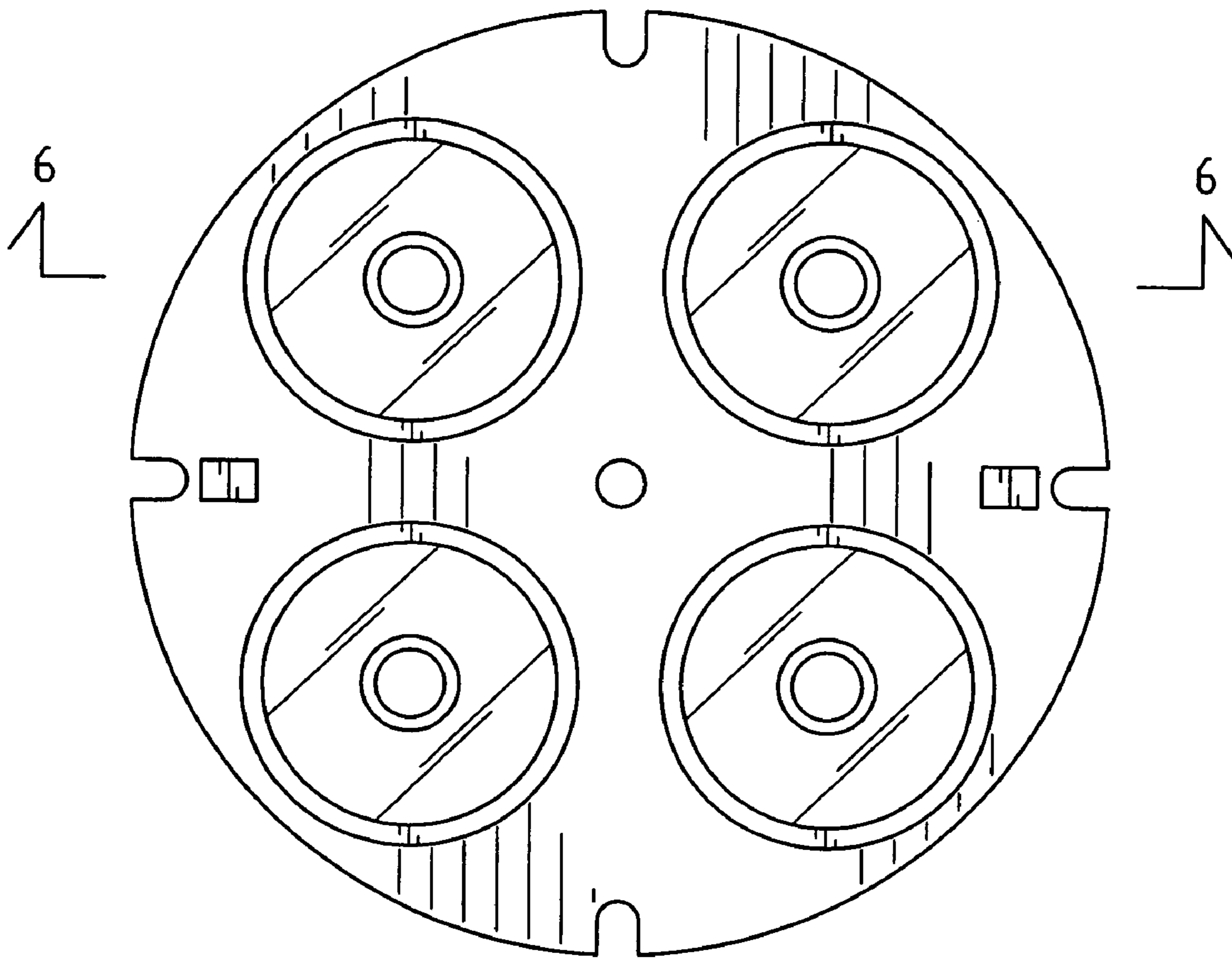


FIG. 2

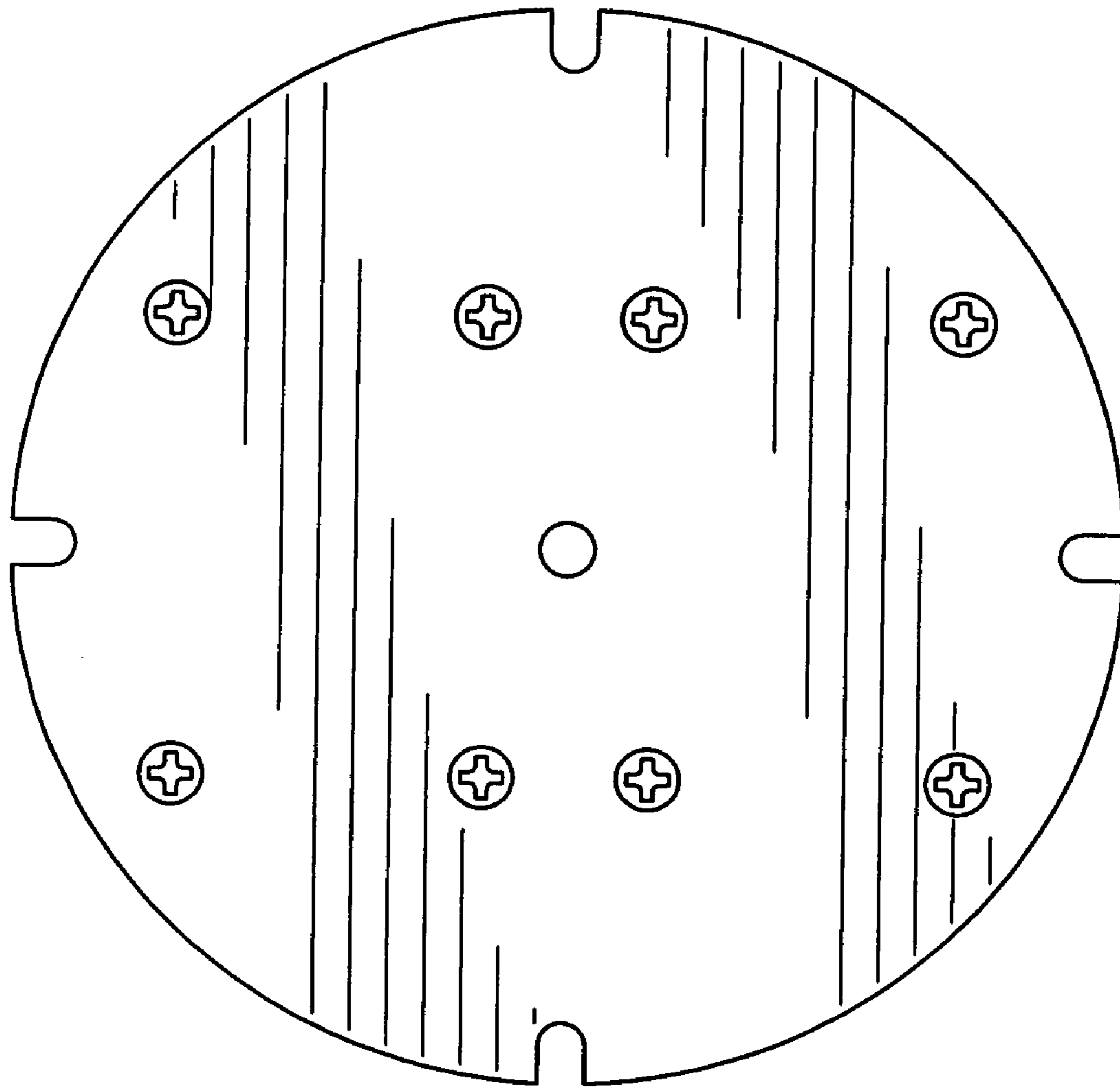


FIG. 3

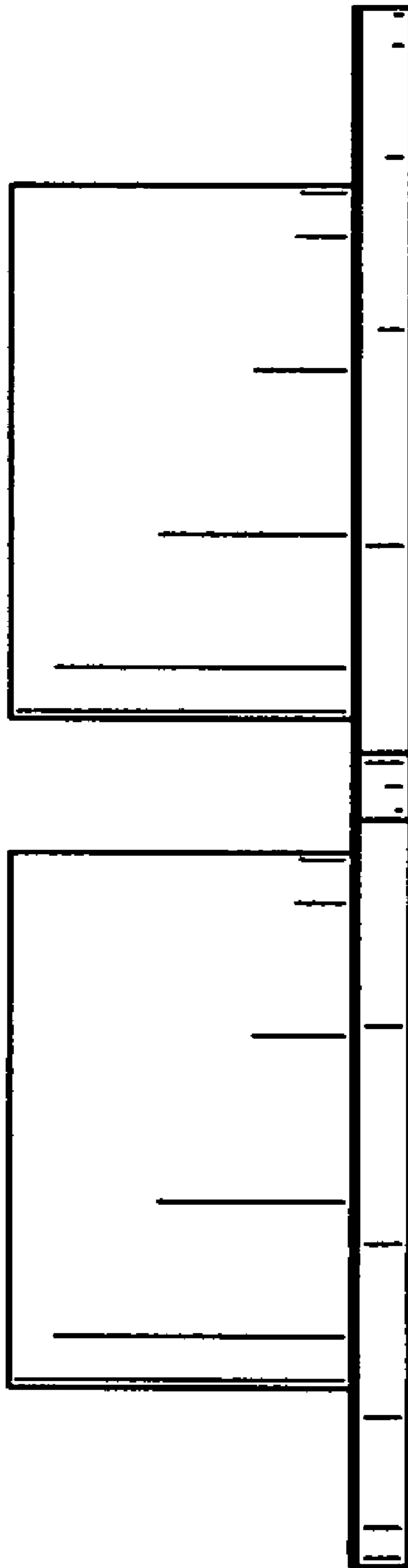


FIG. 4

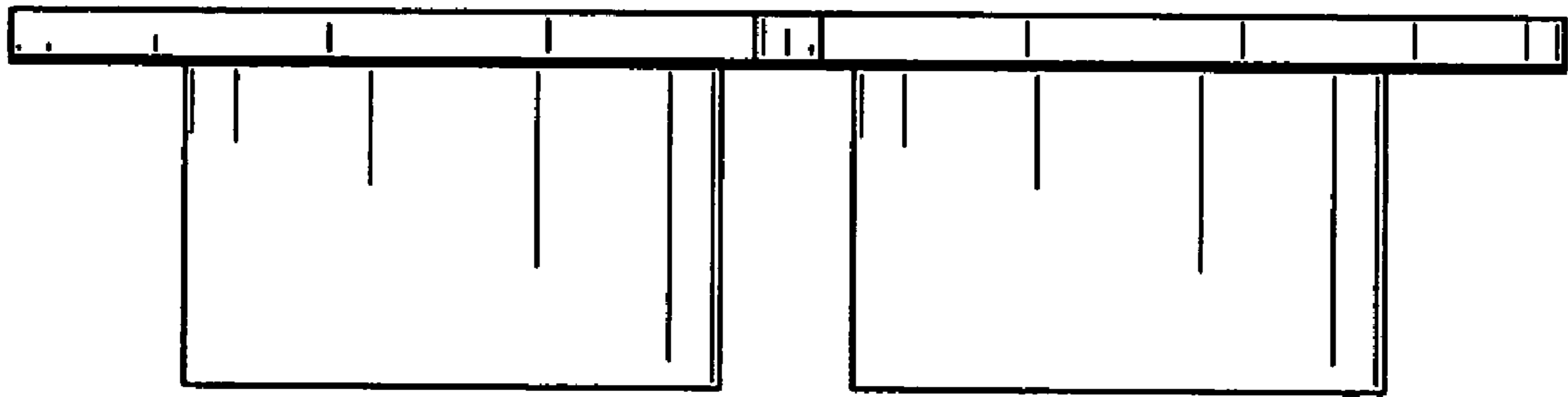


FIG. 5

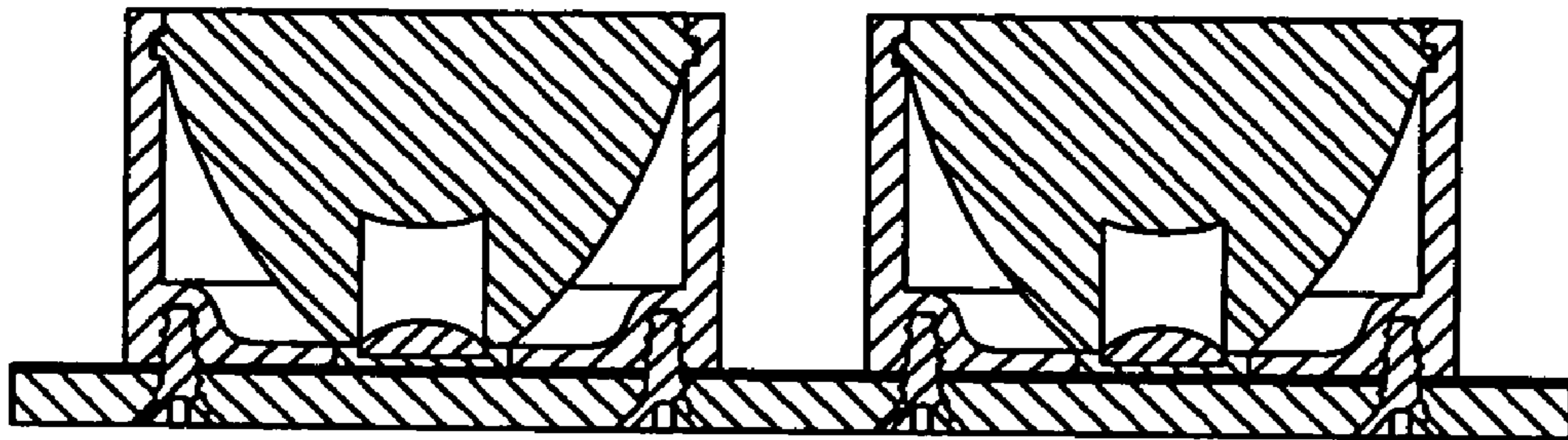


FIG. 6