

US00D548847S

(12) **United States Design Patent**
Dunn et al.

(10) **Patent No.:** **US D548,847 S**

(45) **Date of Patent:** **** Aug. 14, 2007**

(54) **GEMSTONE DISPLAY PACIFIER**

(75) Inventors: **Steven B. Dunn**, Beverly Hills, CA (US); **Mark Hatherill**, Manhattan Beach, CA (US); **Sean Scott**, Woodland Hills, CA (US)

(73) Assignee: **Munchkin, Inc.**, North Hills, CA (US)

(**) Term: **14 Years**

(21) Appl. No.: **29/246,740**

(22) Filed: **May 7, 2006**

(51) **LOC (8) Cl.** **24-04**

(52) **U.S. Cl.** **D24/194**

(58) **Field of Classification Search** D24/193-99, D24/215; D7/393-4; D9/436, 456, 526; 215/11.1-11.6, 387, 392; 248/102-7
See application file for complete search history.

(56) **References Cited**

U.S. PATENT DOCUMENTS

D33,212 S	9/1900	Meinecke	
2,888,929 A *	6/1959	Bray	606/236
D248,317 S	6/1978	Meeker et al.	
D249,161 S *	8/1978	Rohrig	D24/194
4,381,785 A *	5/1983	Robbins	606/236
D285,839 S *	9/1986	Roehrig	D24/194
4,861,678 A *	8/1989	Kassabian	428/542.4
4,909,253 A *	3/1990	Cook et al.	606/234
D312,312 S *	11/1990	Herritz	D24/194
D334,064 S *	3/1993	Fitzpatrick	D24/194
D340,525 S *	10/1993	Rohrig	D24/194
5,275,619 A *	1/1994	Engebretson et al.	606/236
5,403,349 A *	4/1995	Rohrig	606/234
5,522,847 A	6/1996	Kalis et al.	
D376,014 S *	11/1996	McKenney	D24/194
D380,836 S *	7/1997	Fitzpatrick et al.	D24/194
D391,641 S *	3/1998	Fields et al.	D24/194

D393,074 S *	3/1998	Fields et al.	D24/194
5,759,195 A *	6/1998	Fields et al.	606/236
D413,387 S *	8/1999	Fitzpatrick et al.	D24/194
D414,267 S *	9/1999	Calandro, Jr.	D24/194
5,954,749 A *	9/1999	Fields et al.	606/234
D430,675 S *	9/2000	Roehrig	D24/194
D441,083 S *	4/2001	Roehrig	D24/194
D450,126 S *	11/2001	Fitzpatrick et al.	D24/194
D453,379 S *	2/2002	Roehrig	D24/194
6,514,275 B2 *	2/2003	Rohrig	606/234
6,557,548 B1 *	5/2003	Dickson	128/200.24
6,695,869 B2 *	2/2004	Fitzpatrick et al.	606/200.24
D490,158 S	5/2004	Ajibolade	
D501,256 S *	1/2005	Roehrig	D24/194
7,029,491 B2 *	4/2006	Davis	606/234
D520,640 S *	5/2006	Pils et al.	D24/194
2005/0279136 A1	12/2005	Bowman	

* cited by examiner

Primary Examiner—Louis S. Zarfes

Assistant Examiner—Susan E Krakower

(74) *Attorney, Agent, or Firm*—Knoble Yoshida & Dunleavy, LLC

(57) **CLAIM**

The ornamental design for gemstone display pacifier, as shown and described.

DESCRIPTION

FIG. 1 is a perspective view of a gemstone display pacifier showing our new design;

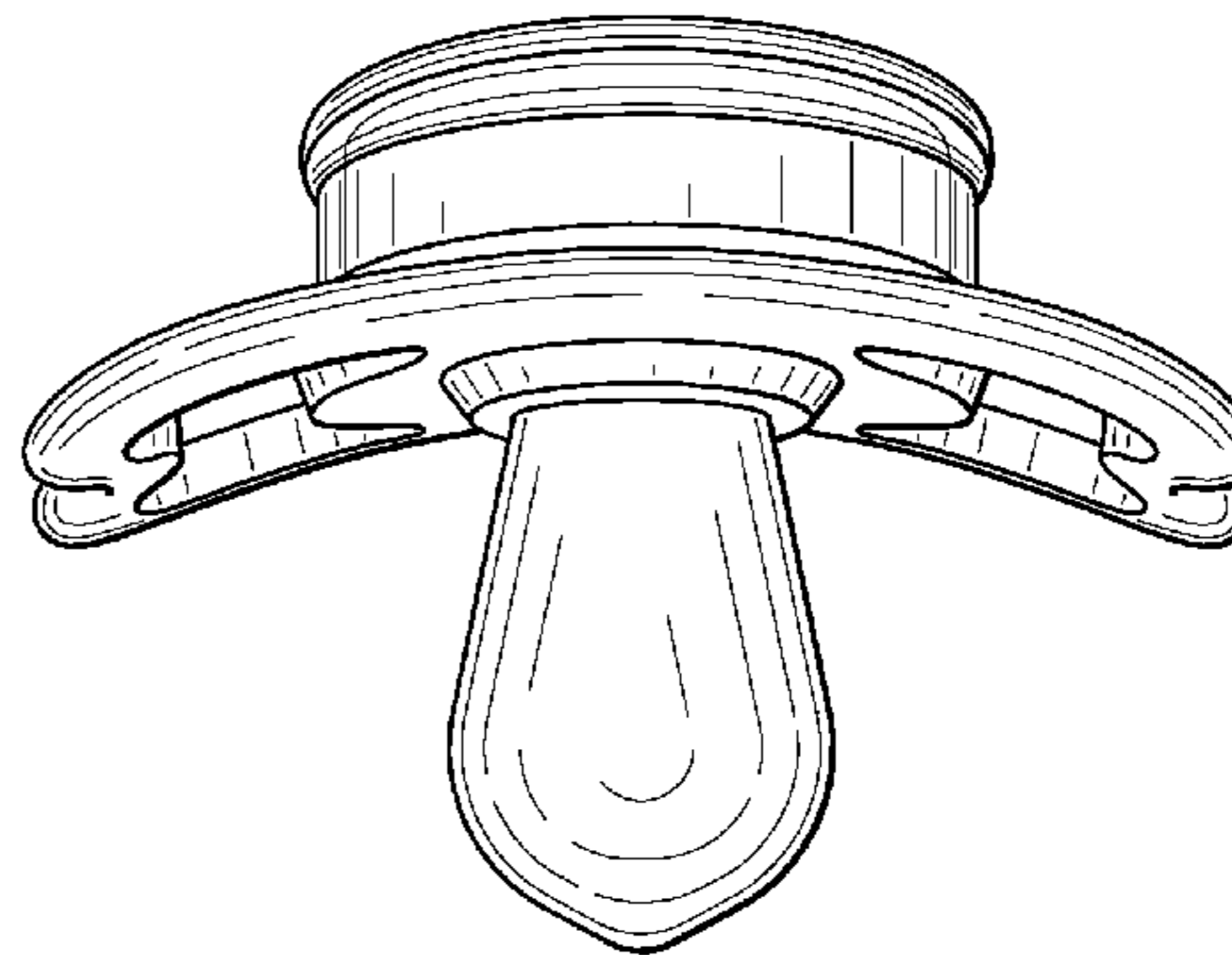
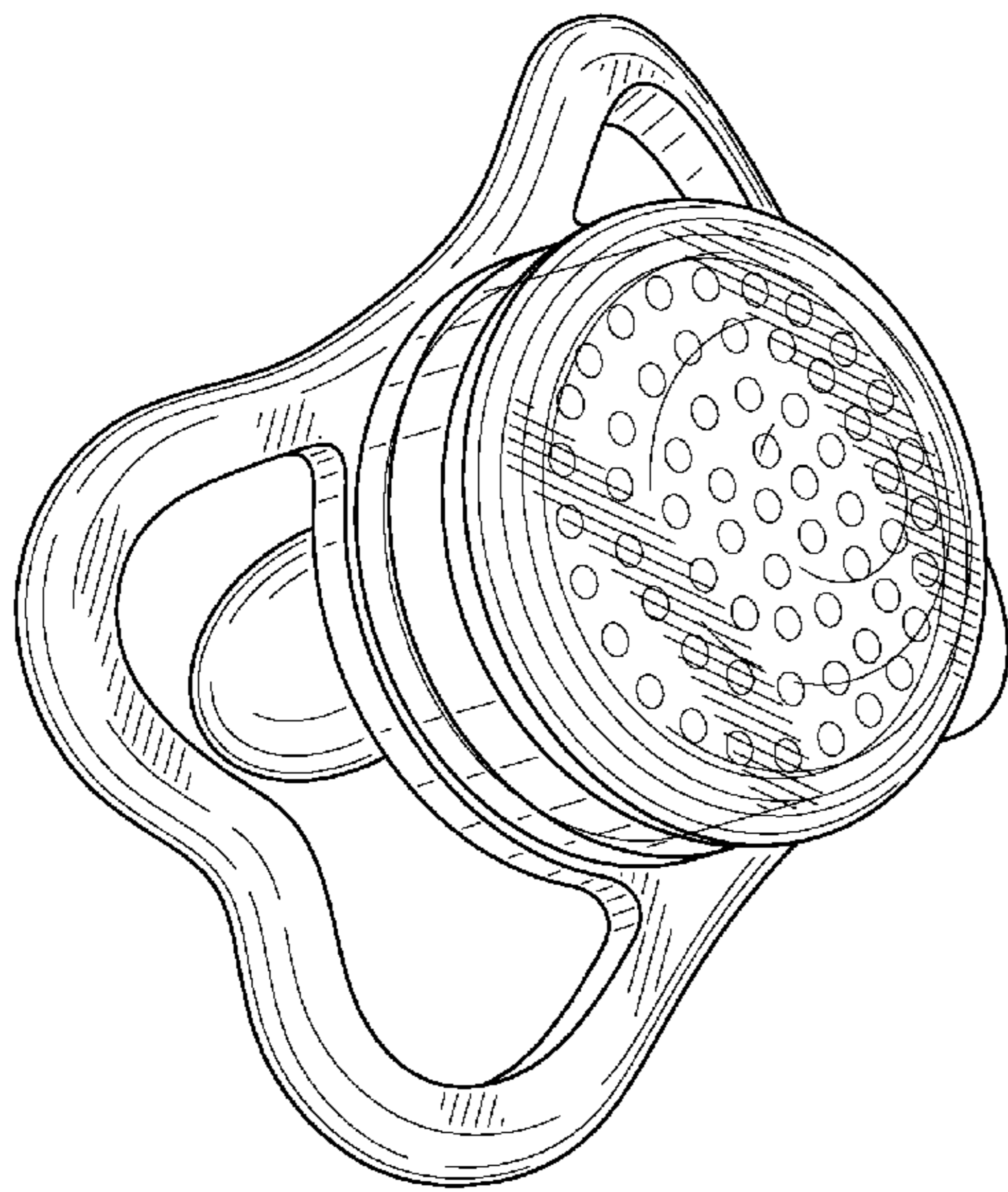
FIG. 2 is a front elevational view;

FIG. 3 is a rear elevational view;

FIG. 4 is a top plan view, with the bottom plan view being a mirror image thereof; and,

FIG. 5 is a side elevational view, with the opposite side being a mirror image thereof.

1 Claim, 3 Drawing Sheets



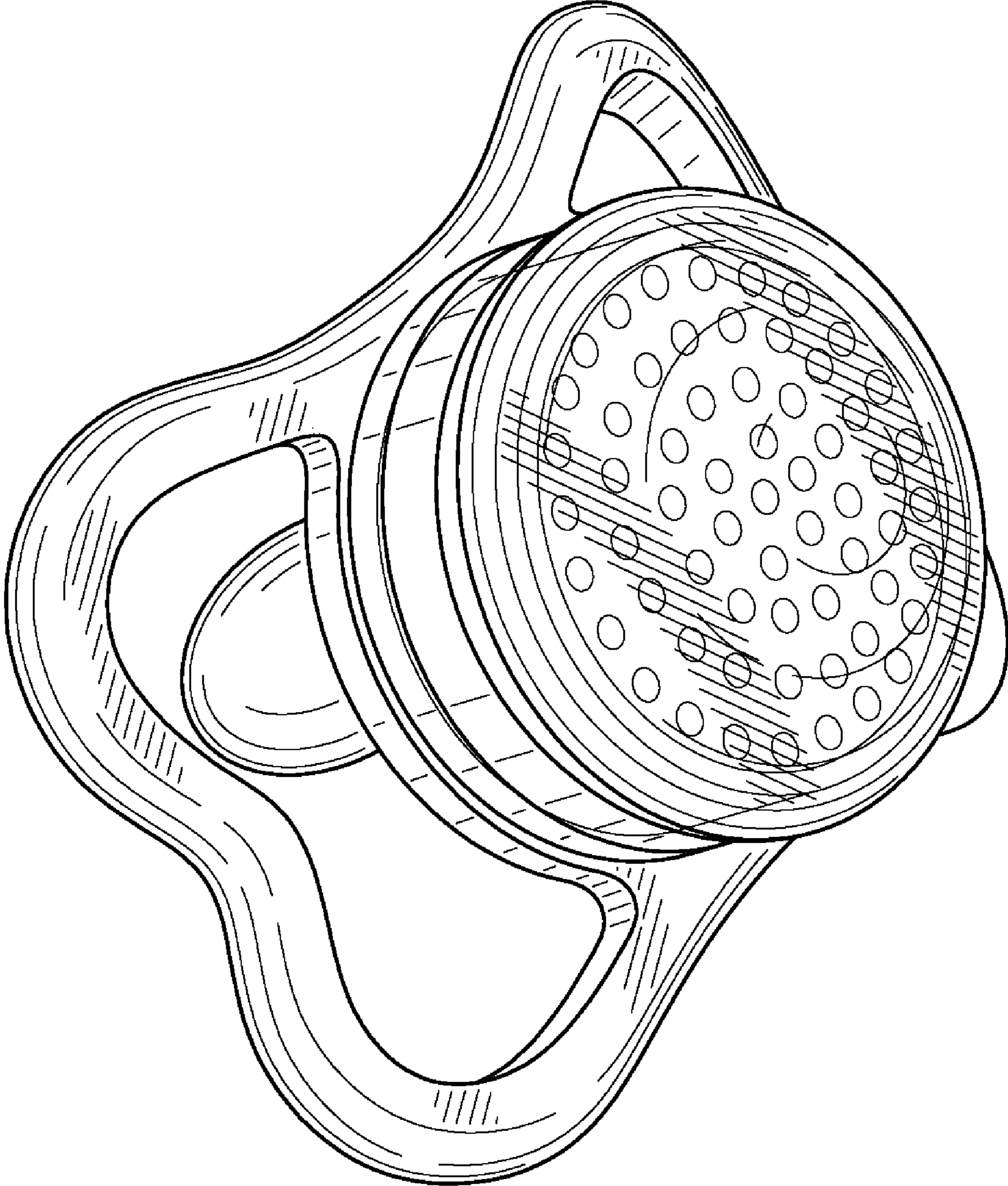


FIG. 1

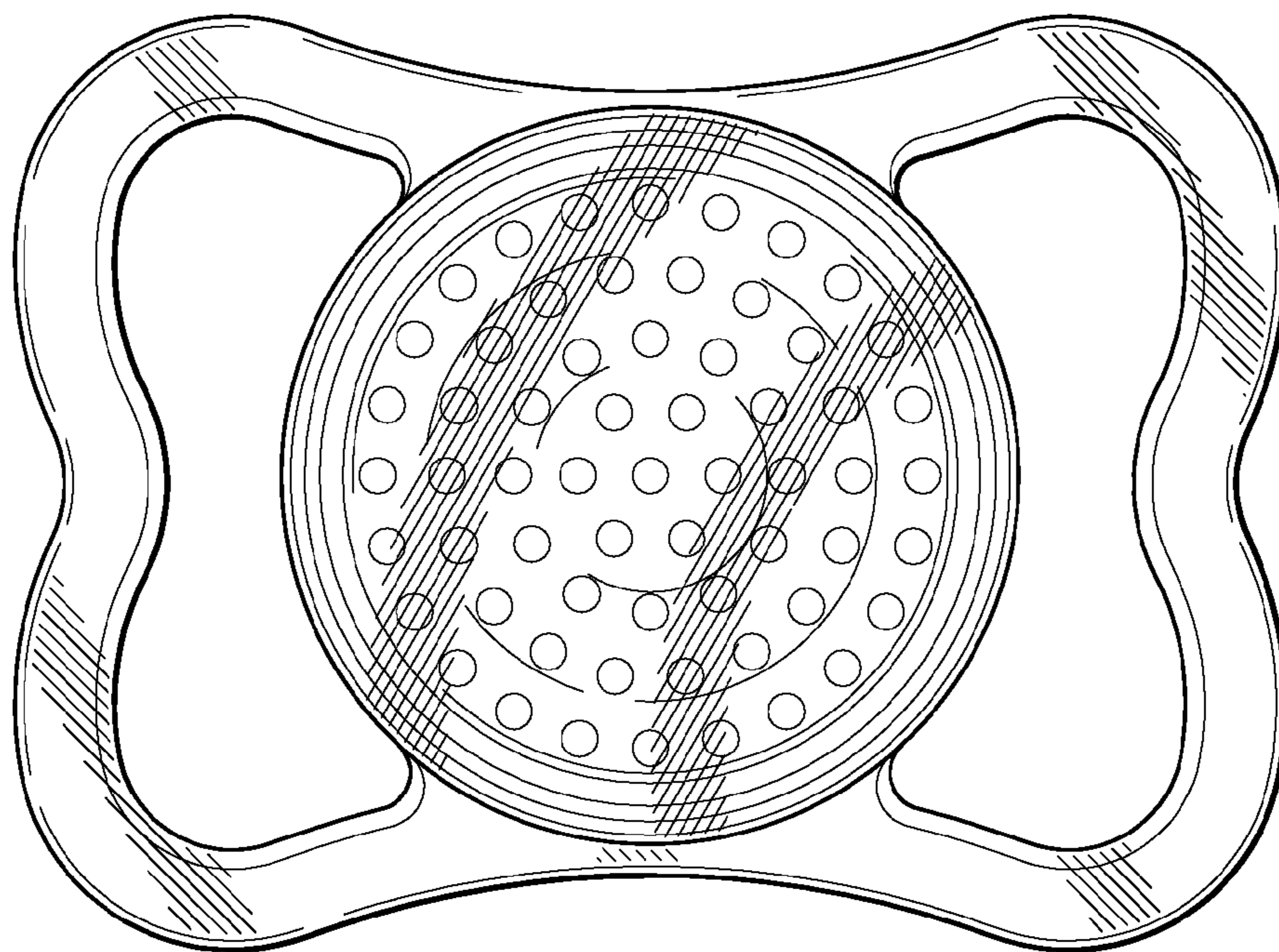


FIG. 2

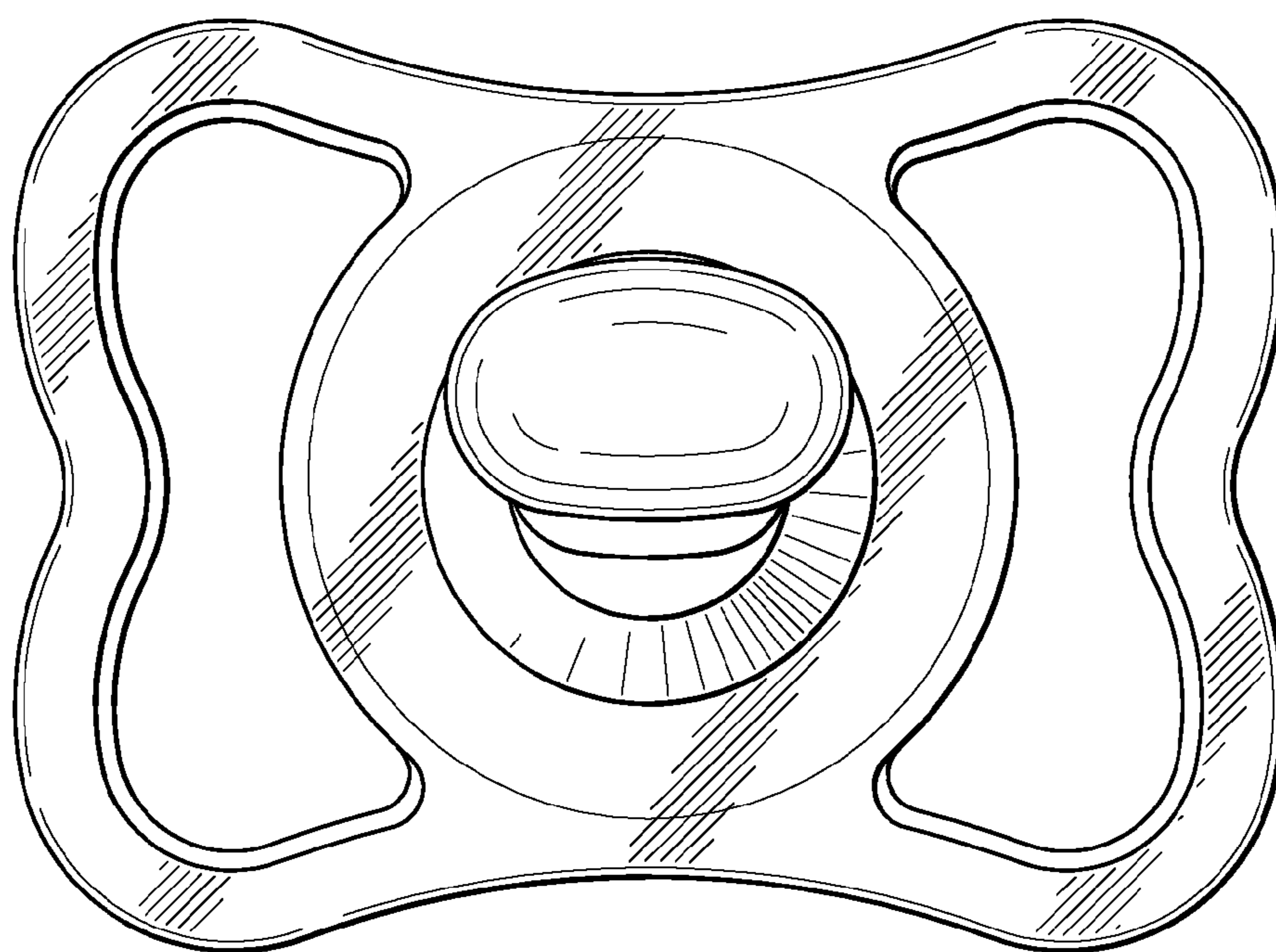


FIG. 3

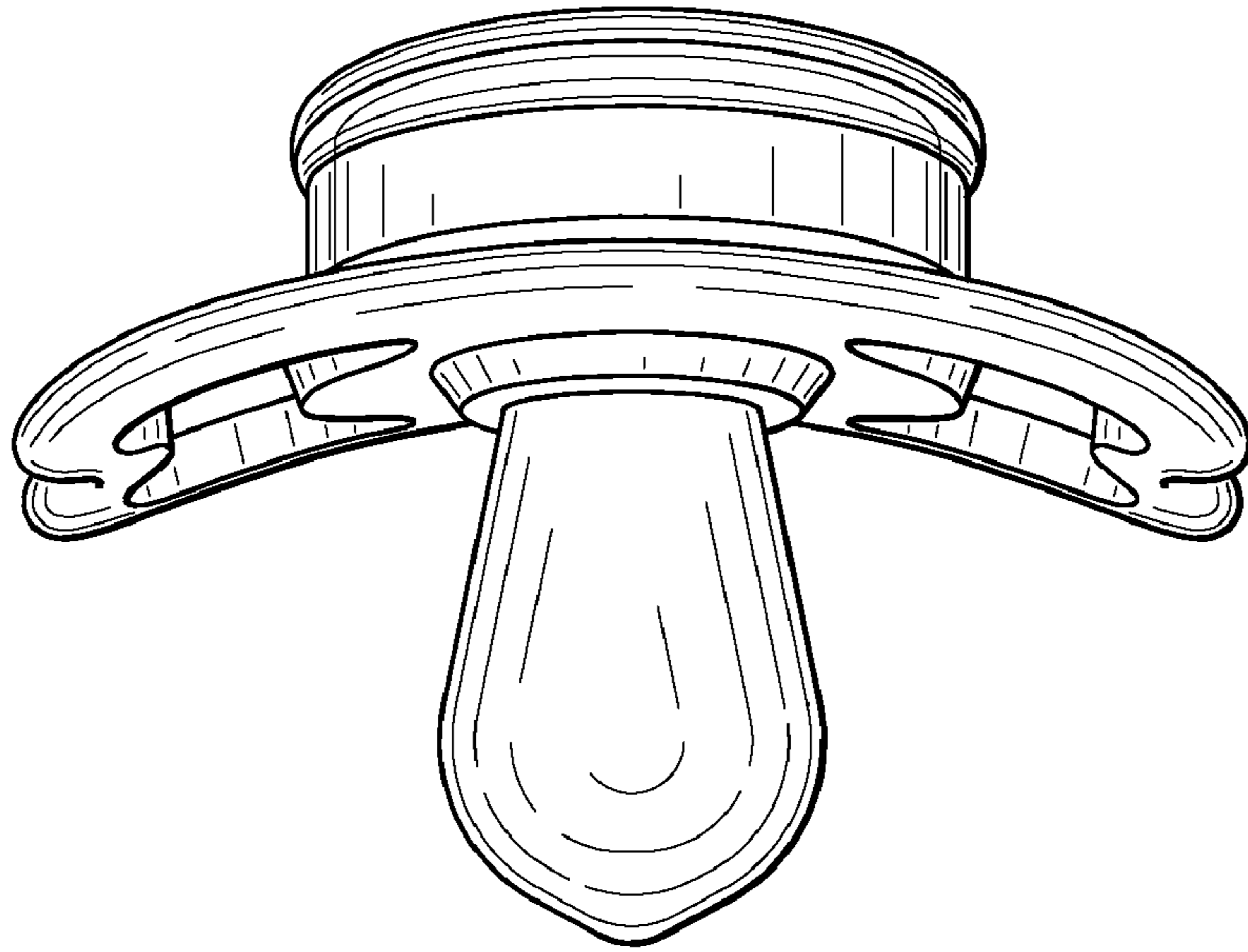


FIG. 4

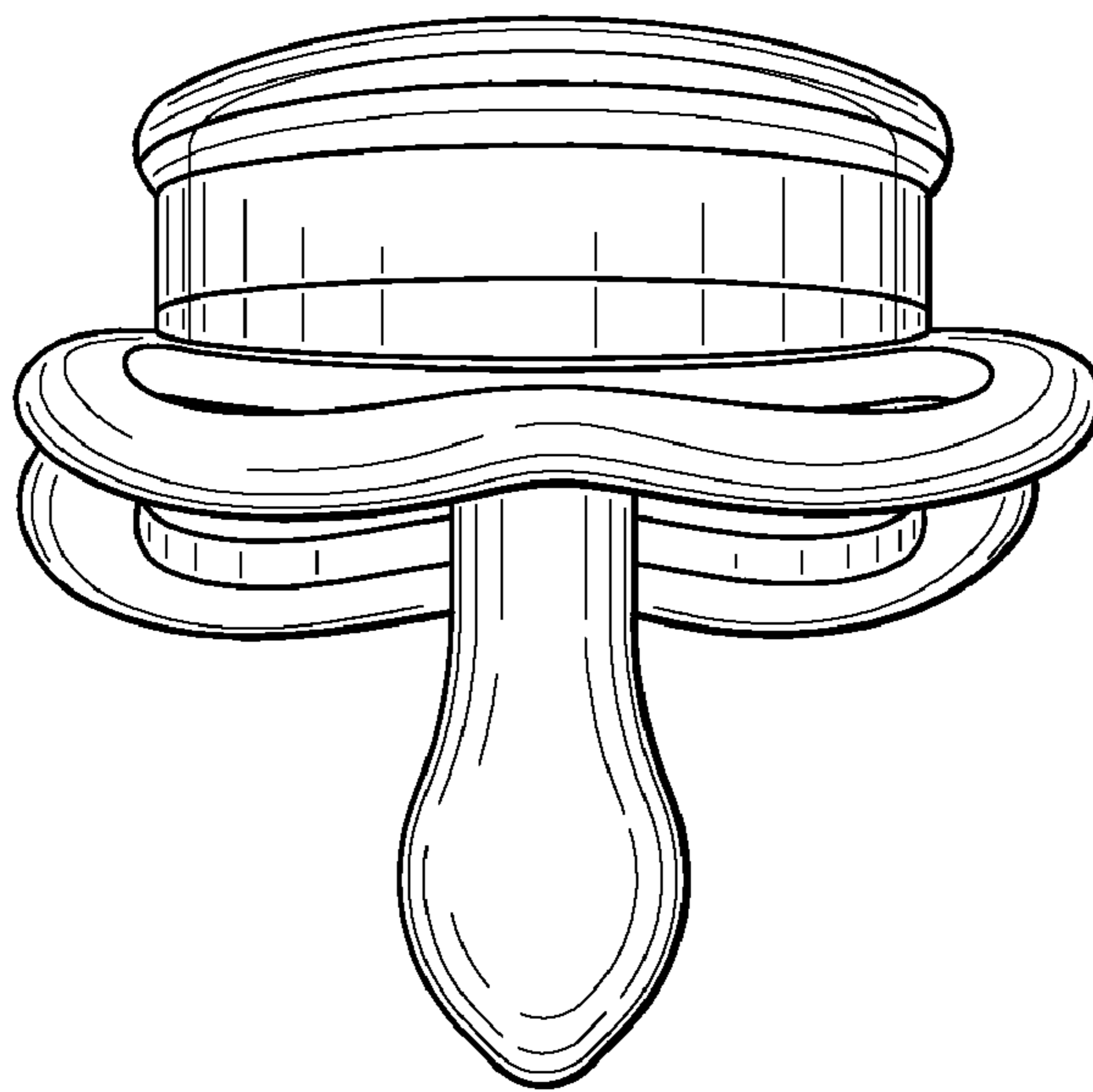


FIG. 5