



US00D548843S

(12) **United States Design Patent**  
**Kertz**

(10) **Patent No.:** **US D548,843 S**

(45) **Date of Patent:** **\*\* Aug. 14, 2007**

(54) **SKIN CLEANER**

(76) **Inventor:** **M. Glen Kertz**, 6476 Calle Del Sol, El Paso, TX (US) 79912

(\*\*) **Term:** **14 Years**

(21) **Appl. No.:** **29/252,925**

(22) **Filed:** **Jan. 30, 2006**

(51) **LOC (8) Cl.** ..... **24-04**

(52) **U.S. Cl.** ..... **D24/188**

(58) **Field of Classification Search** ..... D24/188-191;  
D28/50, 53, 58; D32/35; 15/4, 22.1, 29;  
D4/101

See application file for complete search history.

(56) **References Cited**

**U.S. PATENT DOCUMENTS**

3,177,510	A	*	4/1965	Mack	.....	15/29
D305,162	S	*	12/1989	Mockovak	.....	D28/53
D319,711	S	*	9/1991	Fujisawa	.....	D28/50
D330,091	S	*	10/1992	Anema	.....	D28/58
D361,433	S	*	8/1995	Yang	.....	D4/101
D368,984	S	*	4/1996	Nakashima et al.	.....	D28/53
5,544,382	A	*	8/1996	Giuliani et al.	.....	15/22.1
D388,543	S	*	12/1997	Eguchi et al.	.....	D28/53
5,974,612	A	*	11/1999	Cathcart	.....	15/4

D465,310	S	*	11/2002	Suer	.....	D32/35
D511,871	S	*	11/2005	Kida	.....	D32/35
D525,401	S	*	7/2006	Kida	.....	D32/35
D529,675	S	*	10/2006	Kida	.....	D32/35

\* cited by examiner

*Primary Examiner*—Louis S. Zarfes

*Assistant Examiner*—Michelle Wilson

(74) *Attorney, Agent, or Firm*—Conley Rose, P.C.

(57) **CLAIM**

The ornamental design for skin cleaner, as shown.

**DESCRIPTION**

FIG. 1 is left side view of a skin cleaner showing the new design;

FIG. 2 is a front elevational view of the skin cleaner of FIG. 1;

FIG. 3 is a rear elevation view of the skin cleaner of FIG. 1;

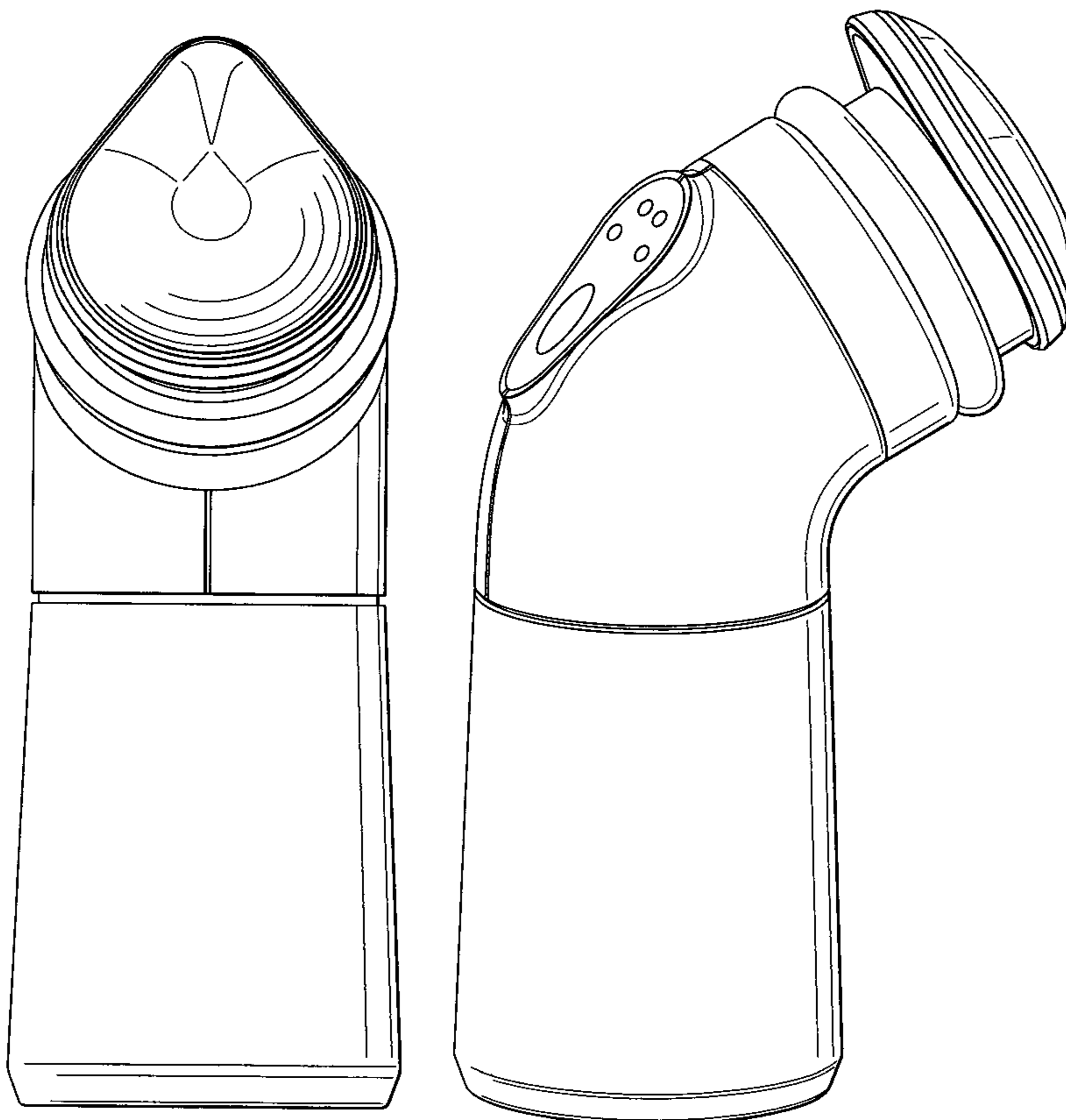
FIG. 4 is a right side view of the skin cleaner of FIG. 1;

FIG. 5 is a top plan view of the skin cleaner of FIG. 1;

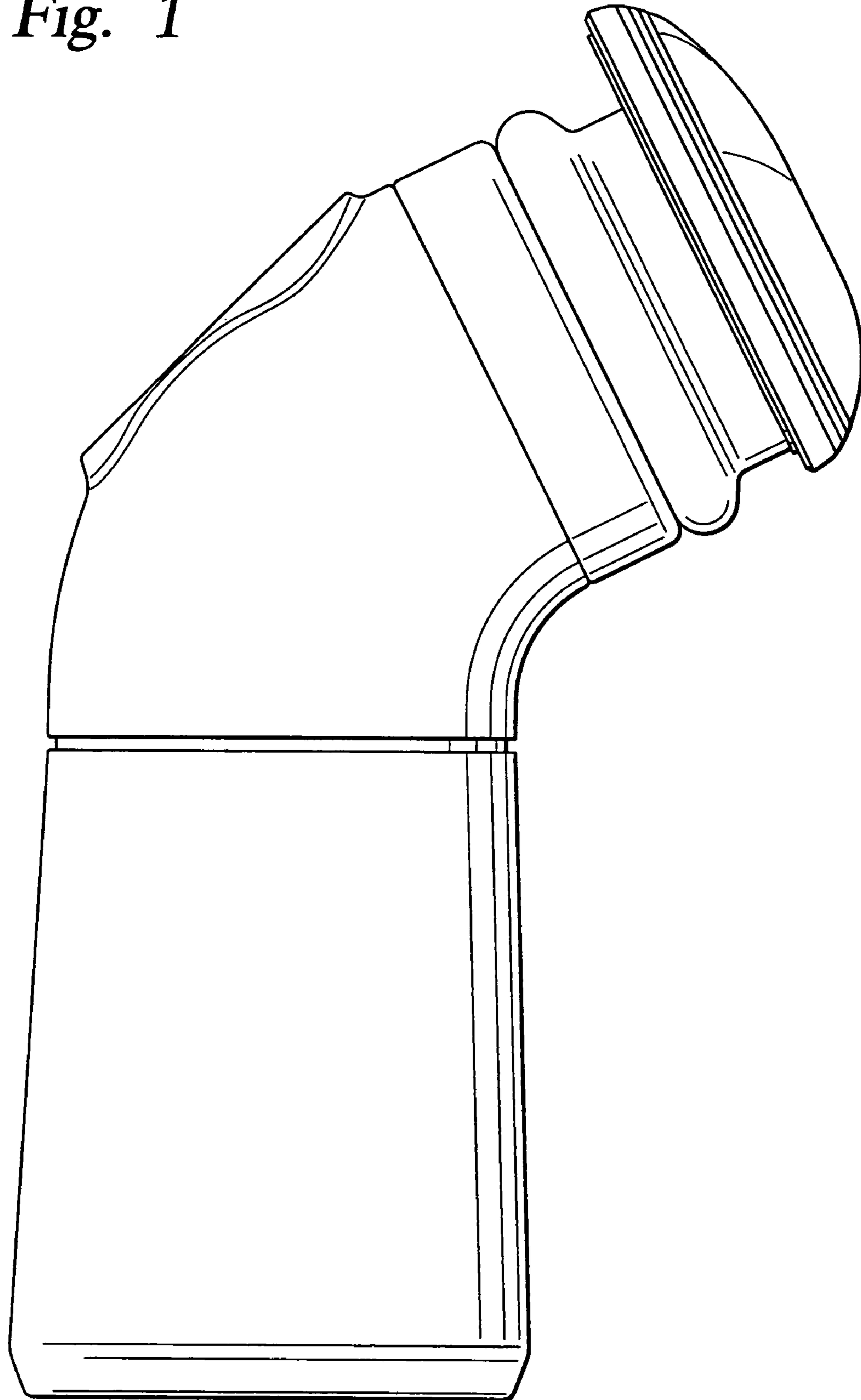
FIG. 6 is a bottom plan view of the skin cleaner of FIG. 1; and,

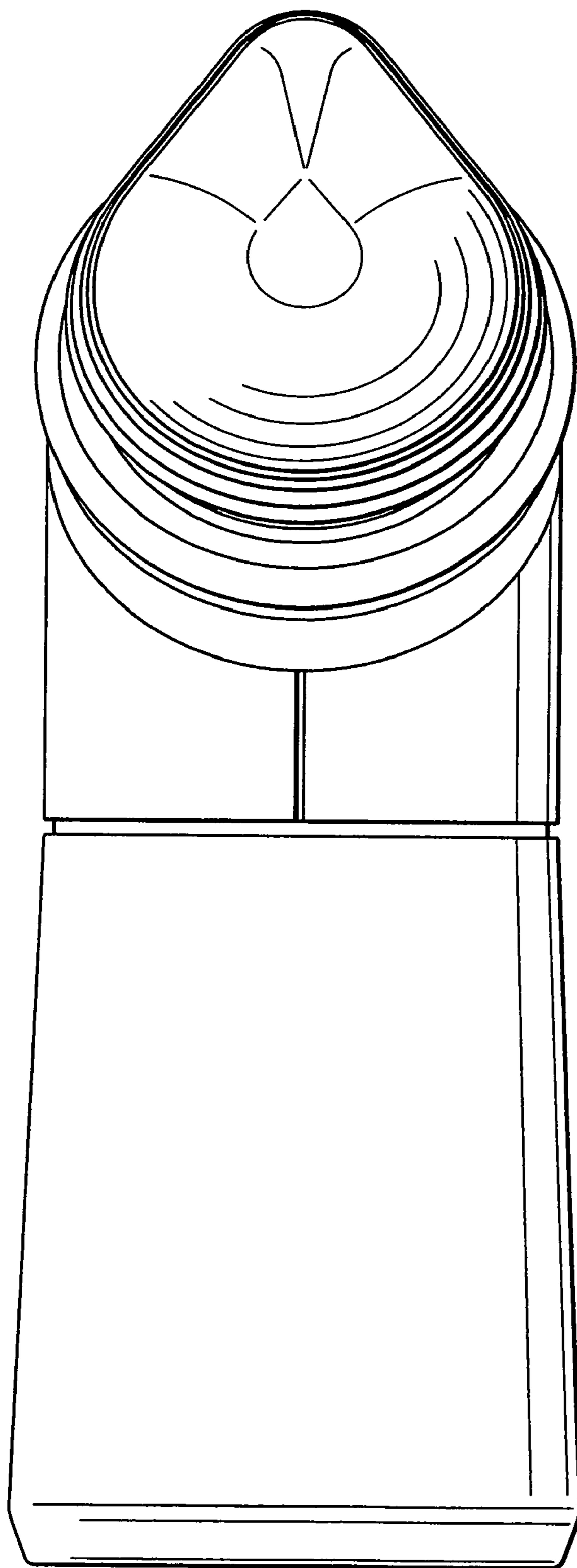
FIG. 7 is an isometric view of the skin cleaner of FIG. 1.

**1 Claim, 6 Drawing Sheets**

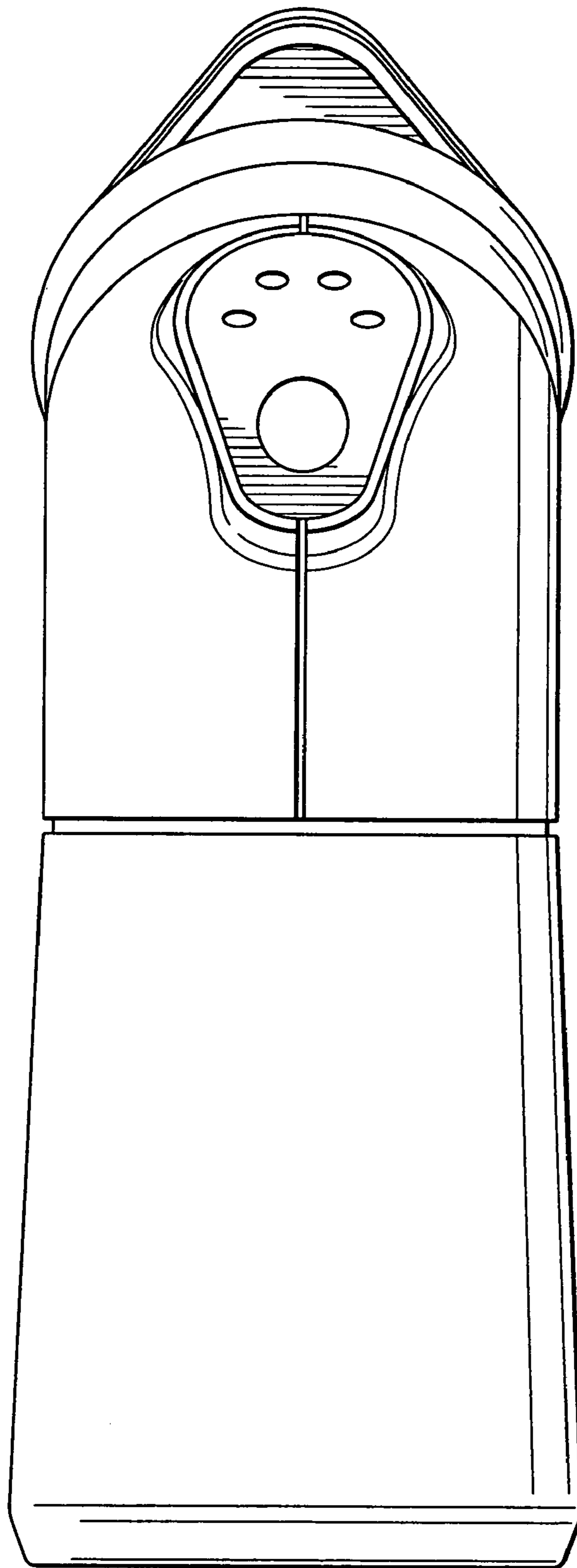


*Fig. 1*



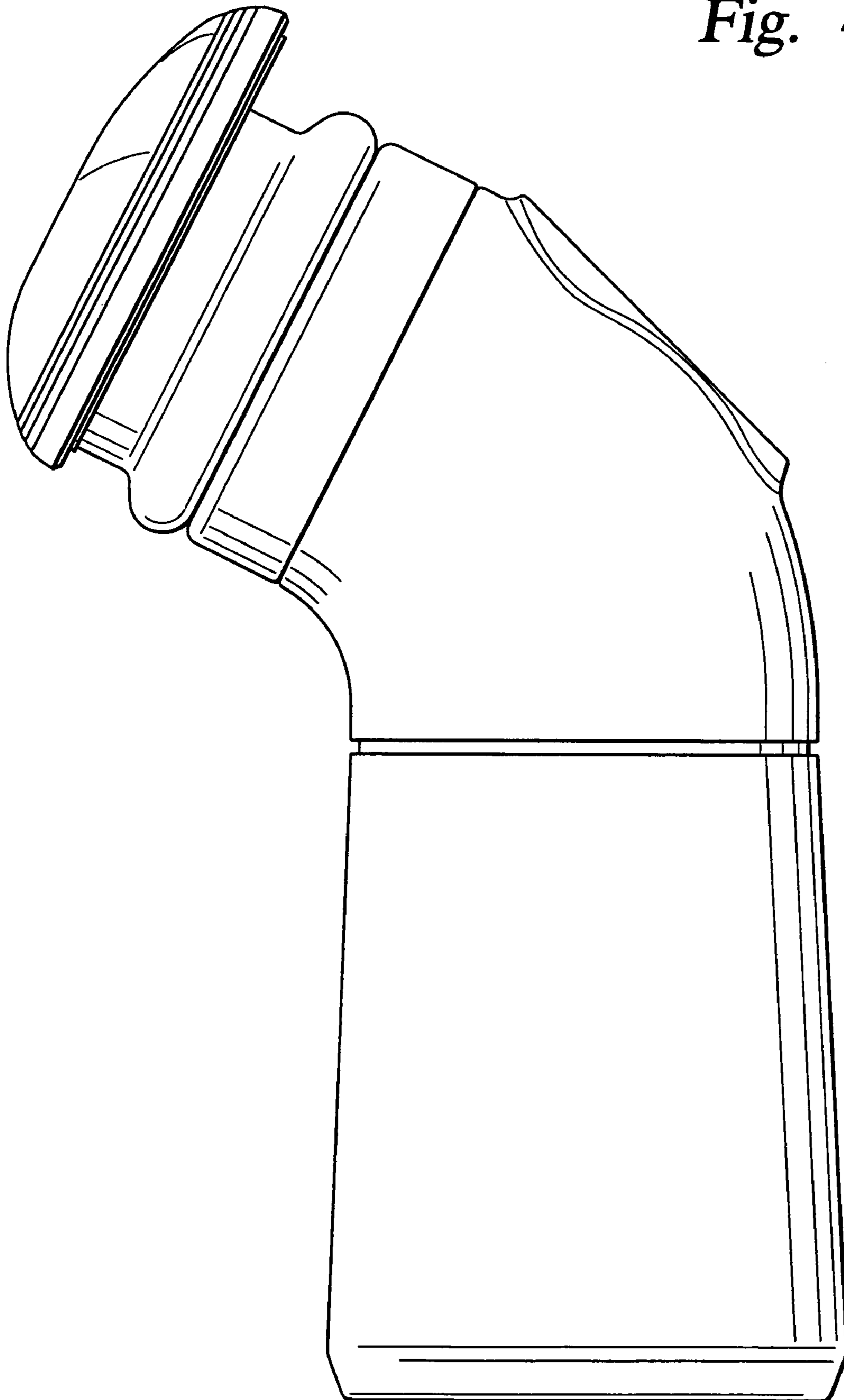


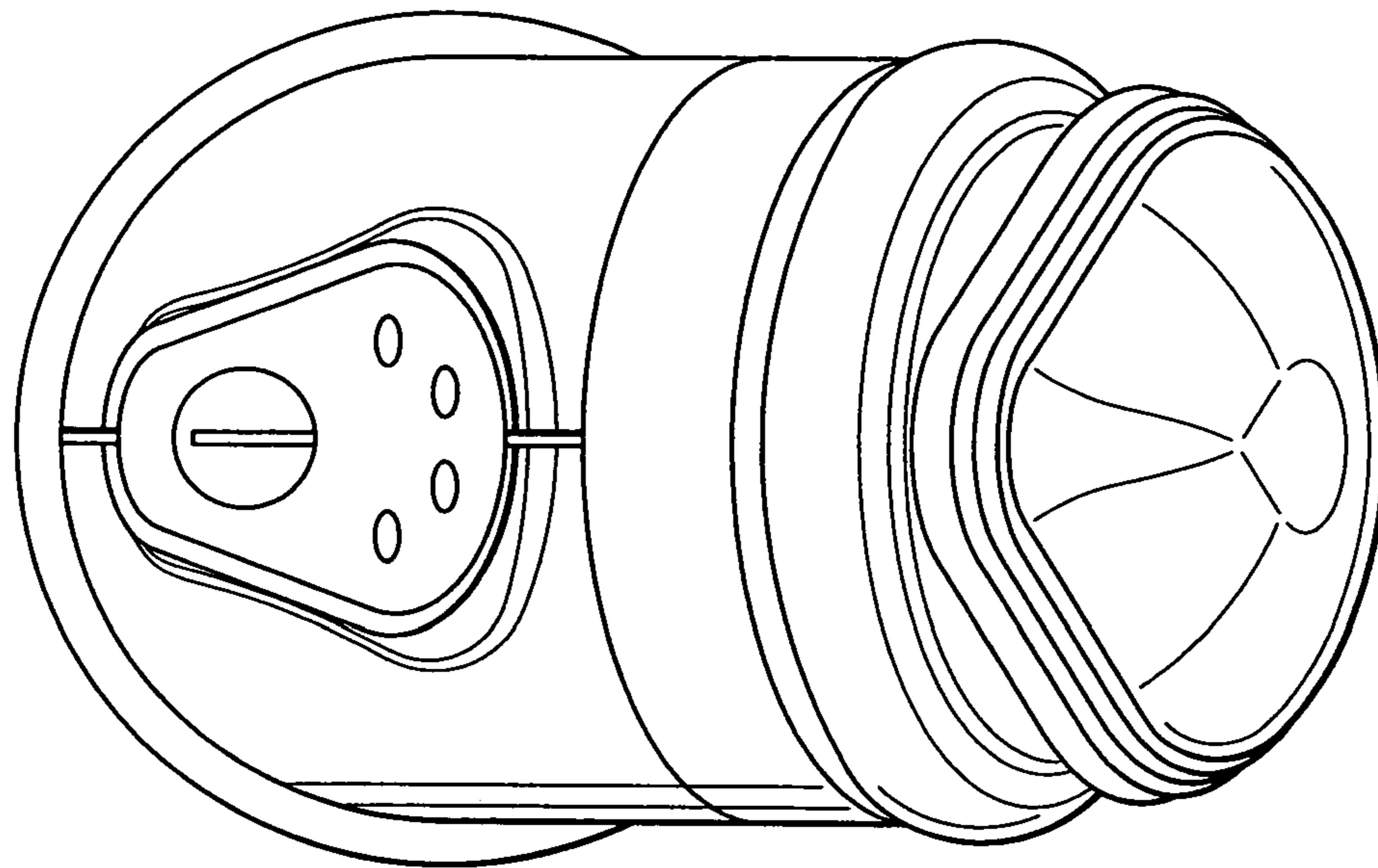
*Fig. 2*



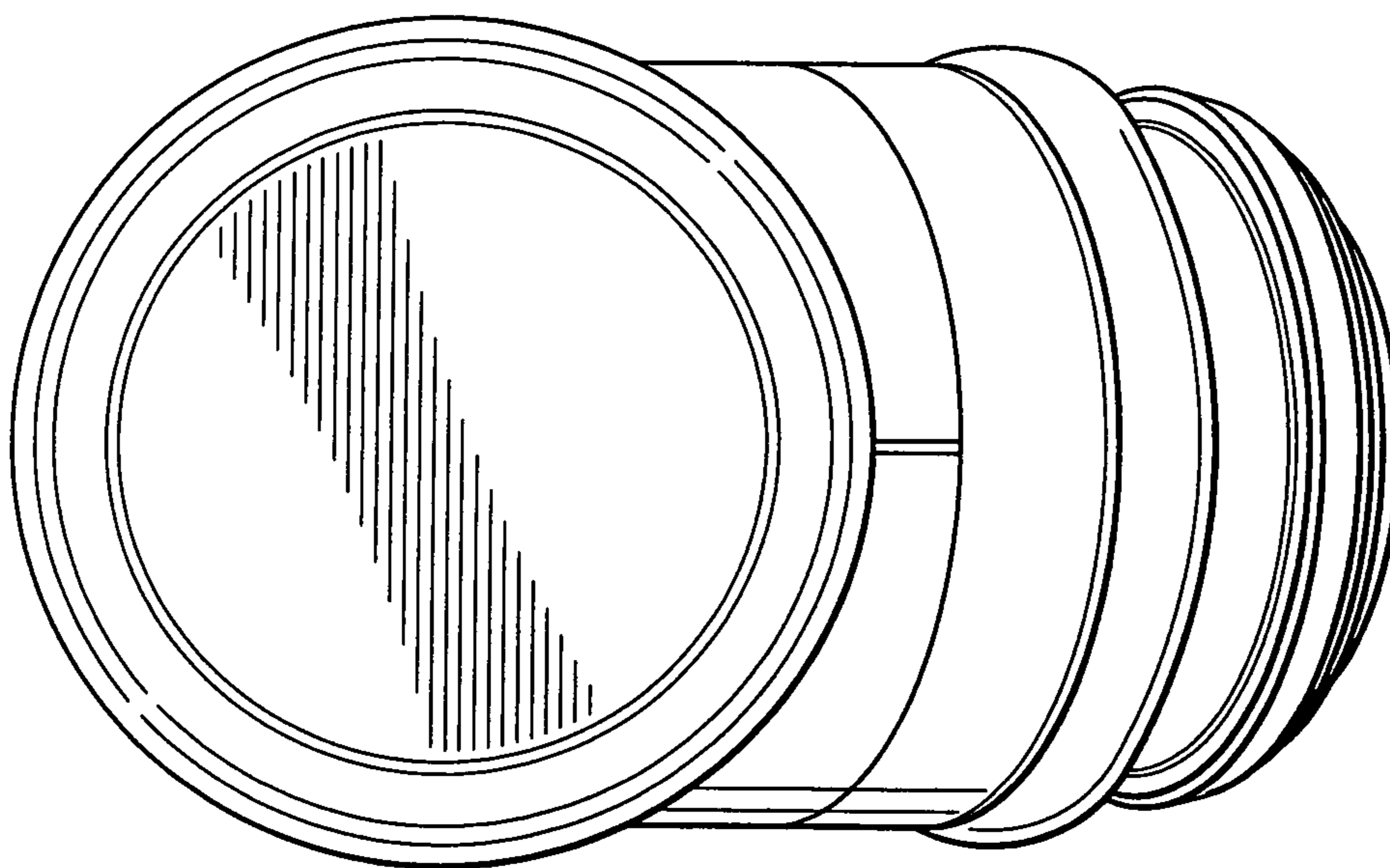
*Fig. 3*

*Fig. 4*





*Fig. 5*



*Fig. 6*

*Fig. 7*

