

US00D548841S

(12) **United States Design Patent** (10) **Patent No.:** **US D548,841 S**
Brownell et al. (45) **Date of Patent:** **** Aug. 14, 2007**

(54) **ELECTRICAL EQUIPMENT FOR ABLATIVE TREATMENT**

(75) Inventors: **Ian Brownell**, Linlithgow (GB); **Nigel Cronin**, Bath (GB); **Peter Clegg**, Lower Weston Bath (GB); **Chris Padain**, Bristol (GB)

(73) Assignee: **Microsulis, Ltd**

(**) Term: **14 Years**

(21) Appl. No.: **29/215,289**

(22) Filed: **Oct. 15, 2004**

(51) **LOC (8) Cl.** **24-01**

(52) **U.S. Cl.** **D24/186**

(58) **Field of Classification Search** D24/186, D24/187; D10/60, 75, 81; 128/897-898; 600/300, 479, 485-496, 500, 551, 591; 900/920-925
See application file for complete search history.

(56) **References Cited**

U.S. PATENT DOCUMENTS

D310,178 S *	8/1990	Collister et al.	D10/81
D320,450 S *	10/1991	Hicaro et al.	D24/107
D328,438 S *	8/1992	Paloian	D10/75
D328,794 S *	8/1992	Frenkel et al.	D24/216
D330,596 S *	10/1992	Frenkel et al.	D24/186
D338,419 S *	8/1993	Frenkel et al.	D10/81
D339,636 S *	9/1993	Uchiyama	D24/186
D347,478 S *	5/1994	Pinkney	D24/216
D378,782 S *	4/1997	LaBarbera et al.	D24/232
D381,756 S *	7/1997	Ohnuma et al.	D24/232
D404,140 S *	1/1999	Meguro	D24/232
6,093,151 A *	7/2000	Shine et al.	600/485
D471,642 S *	3/2003	Alden et al.	D24/232
D479,879 S *	9/2003	Dickinson	D24/232

* cited by examiner

Primary Examiner—Louis Zarfaz
Assistant Examiner—Mark Cavanna
(74) *Attorney, Agent, or Firm*—Wolff Law Offices PLLC; Kevin Alan Wolff

(57) **CLAIM**

I claim the ornamental design for an electrical equipment for ablative treatment, as shown and described.

DESCRIPTION

FIG. 1 is a rear perspective view of an electrical equipment for ablative treatment;

FIG. 2 is another rear perspective view of the electrical equipment for ablative treatment;

FIG. 3 is a front view of the electrical equipment for ablative treatment;

FIG. 4 is a rear view of electrical equipment for the ablative treatment;

FIG. 5 is a front perspective view of the electrical equipment for ablative treatment;

FIG. 6 is another front perspective view of the electrical equipment for ablative treatment;

FIG. 7 is a side view of the electrical equipment for ablative treatment;

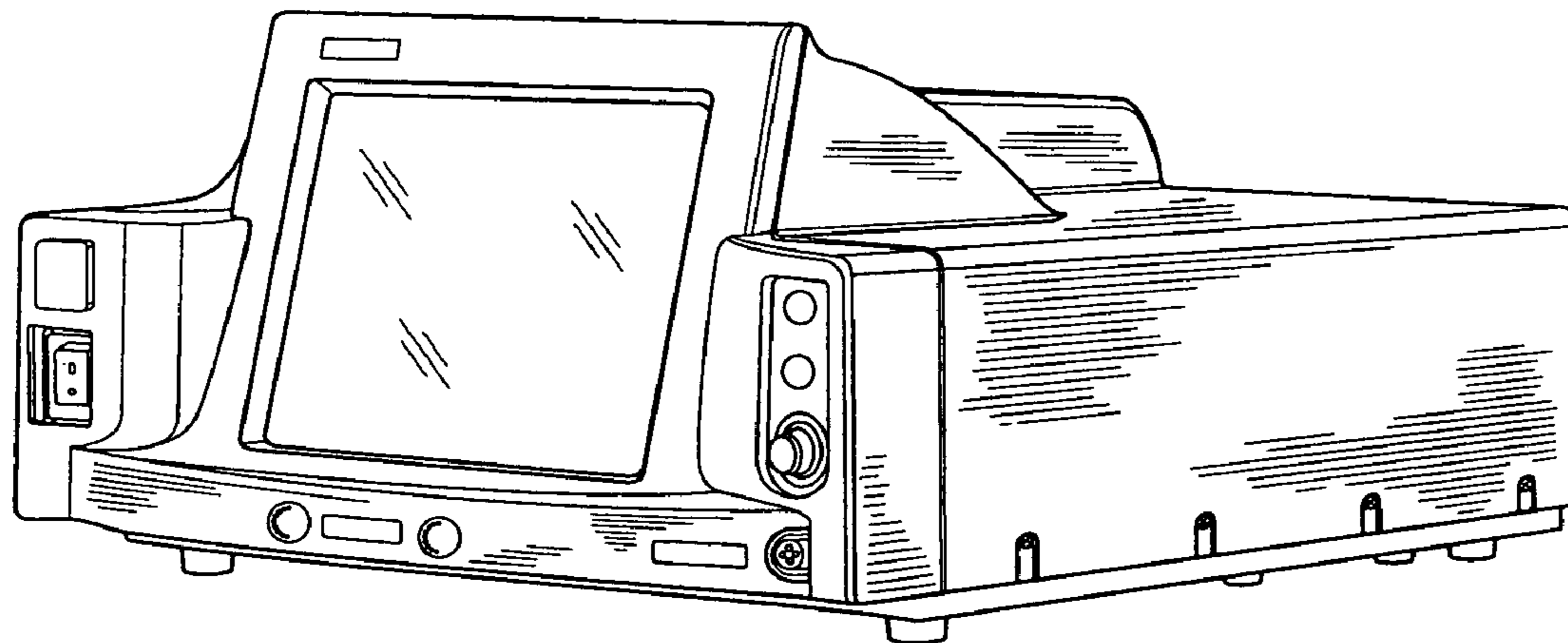
FIG. 8 is a side view of another side of the electrical equipment for ablative treatment;

FIG. 9 is a top view of the electrical equipment for ablative treatment; and,

FIG. 10 is another front perspective view of the electrical equipment for ablative treatment.

The broken lines showing environment in FIG. 10 are for illustrative purposes only and form no part of the claimed design.

1 Claim, 6 Drawing Sheets



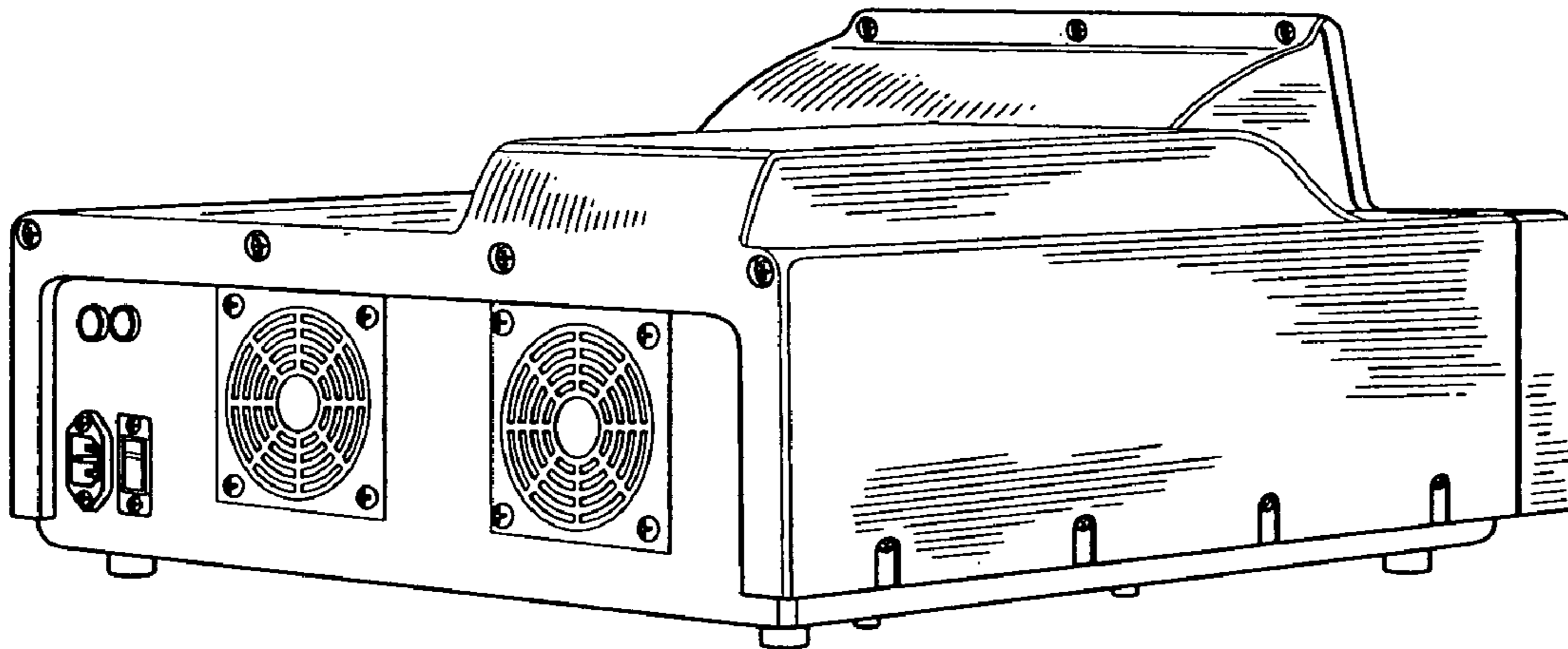


FIG. 1

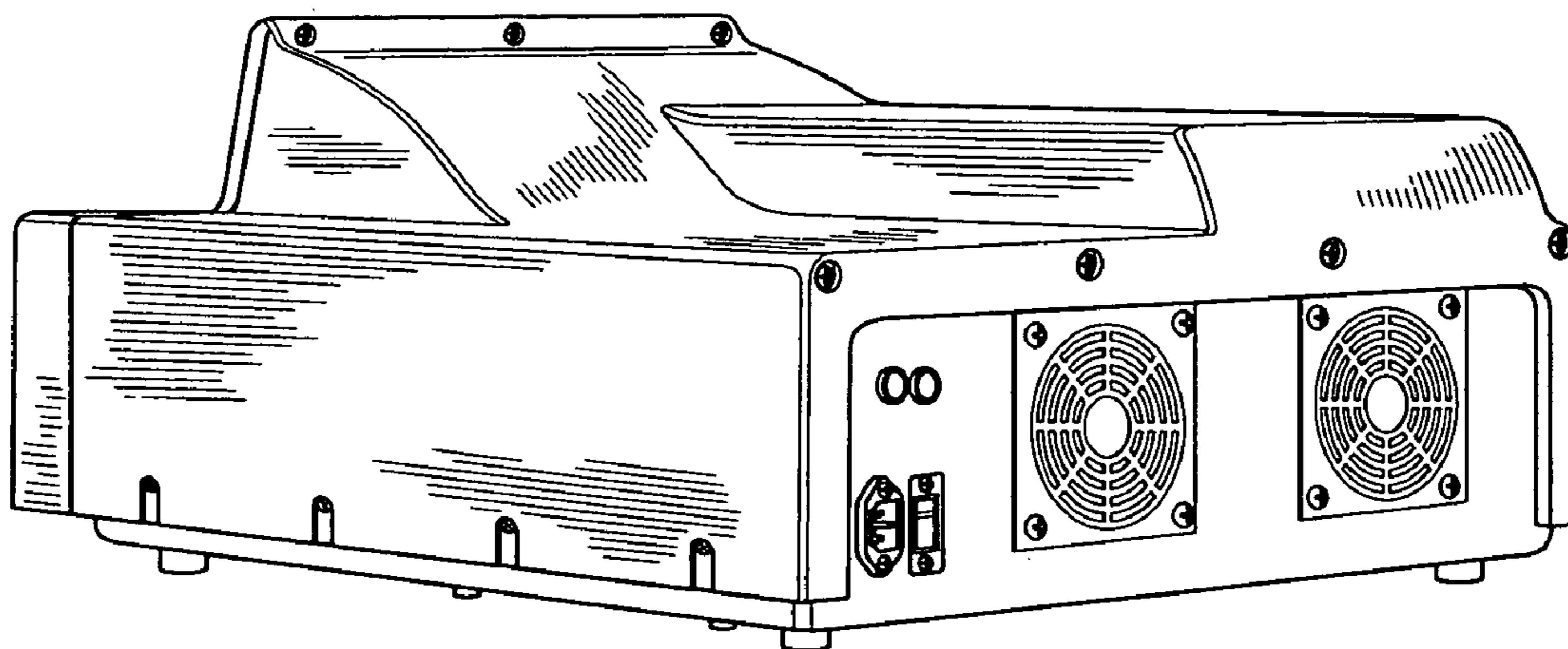


FIG. 2

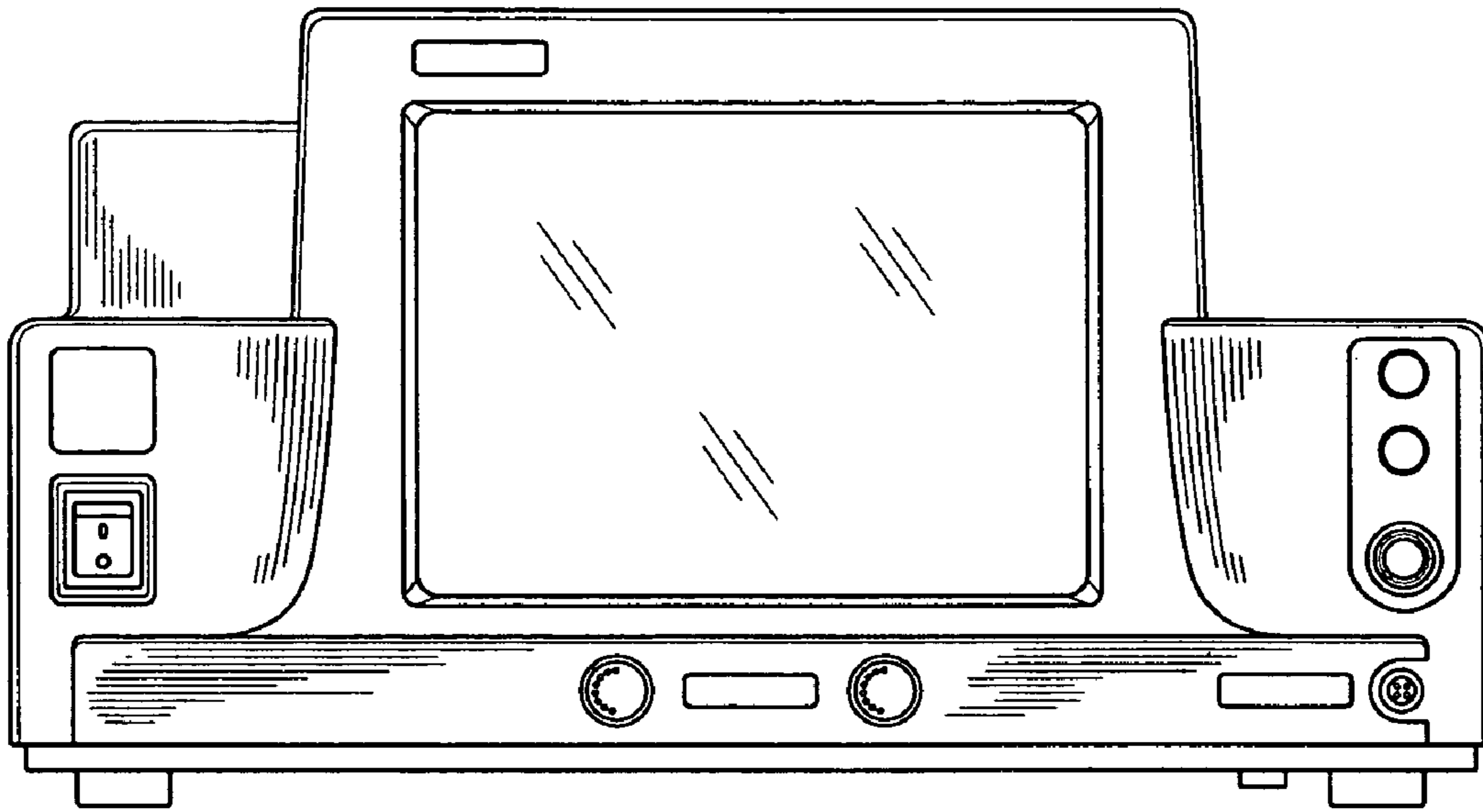


FIG. 3

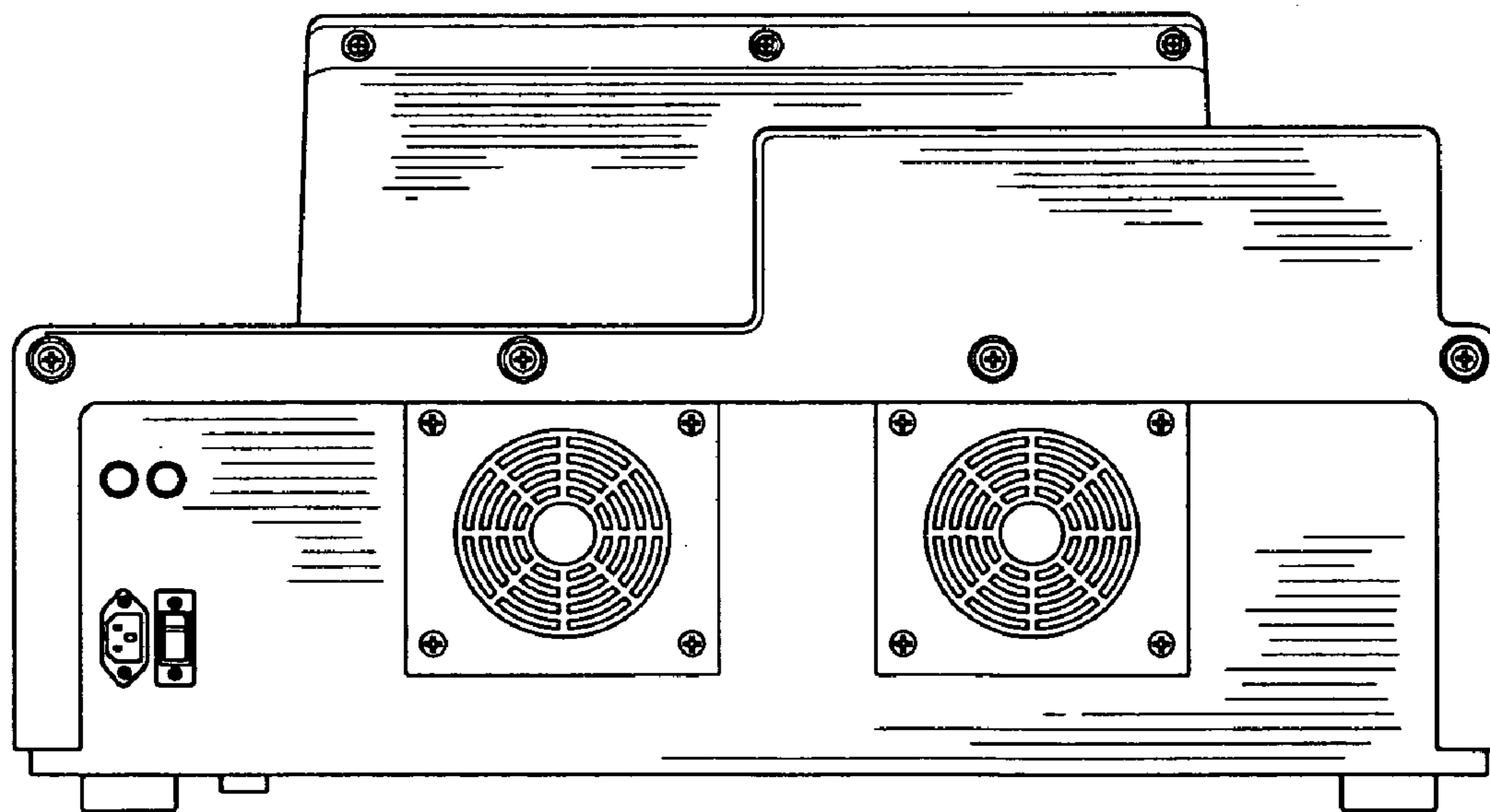


FIG. 4

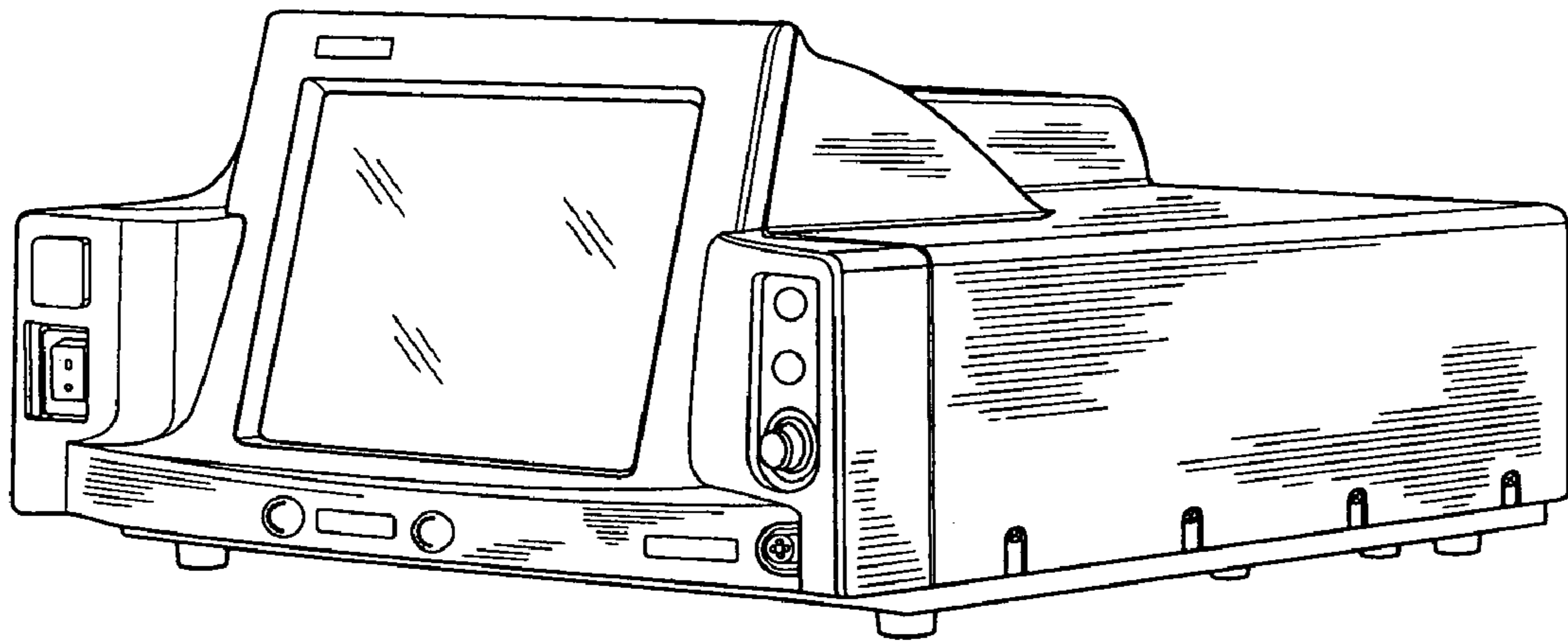


FIG. 5

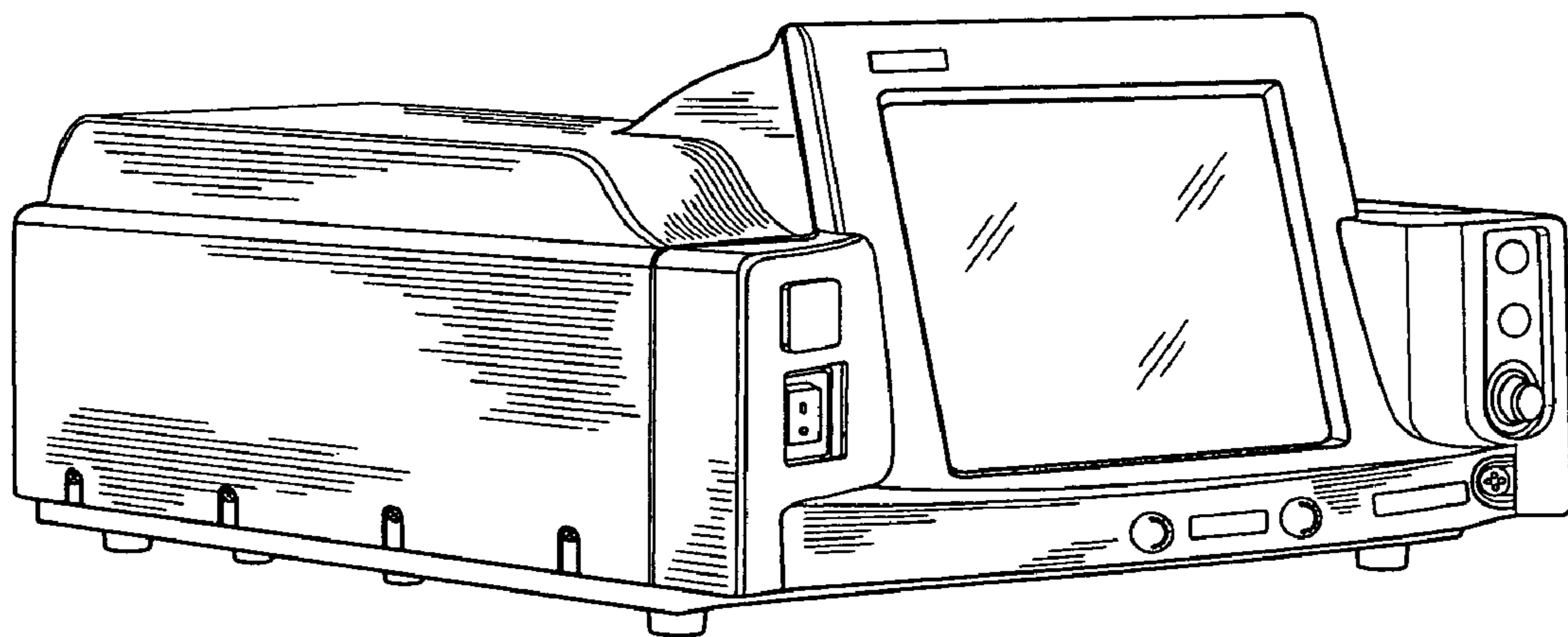


FIG. 6

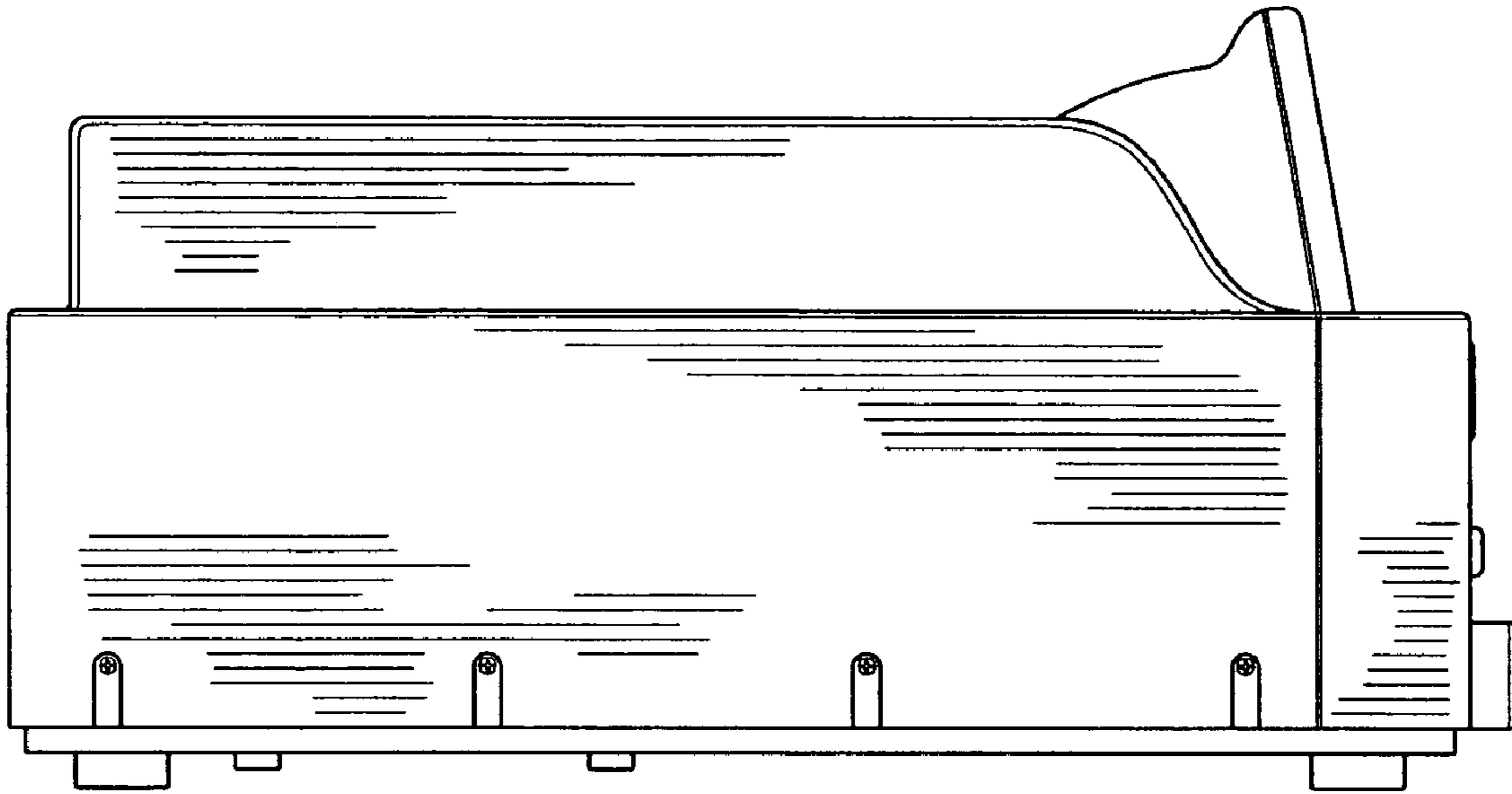


FIG. 7

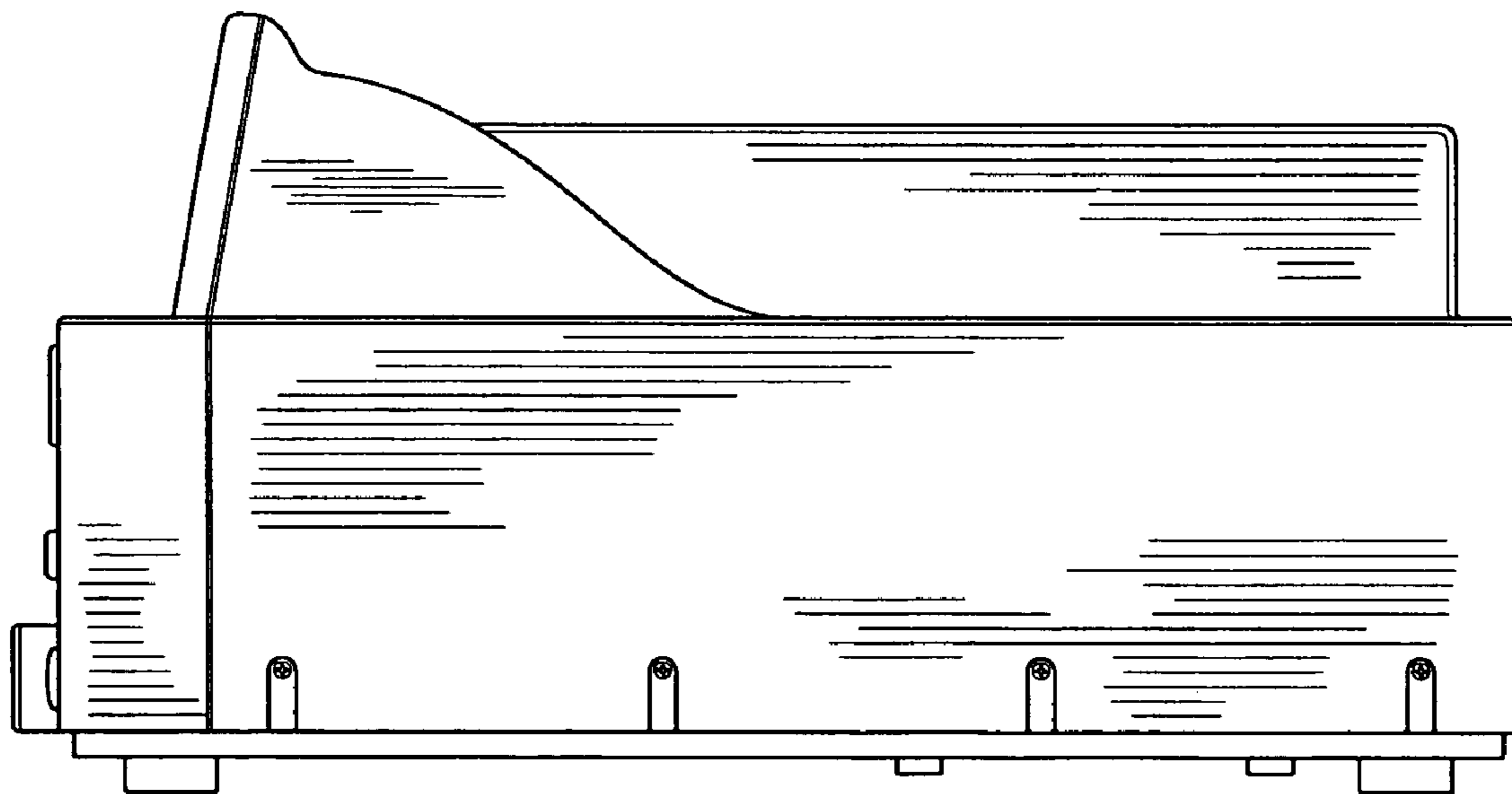


FIG. 8

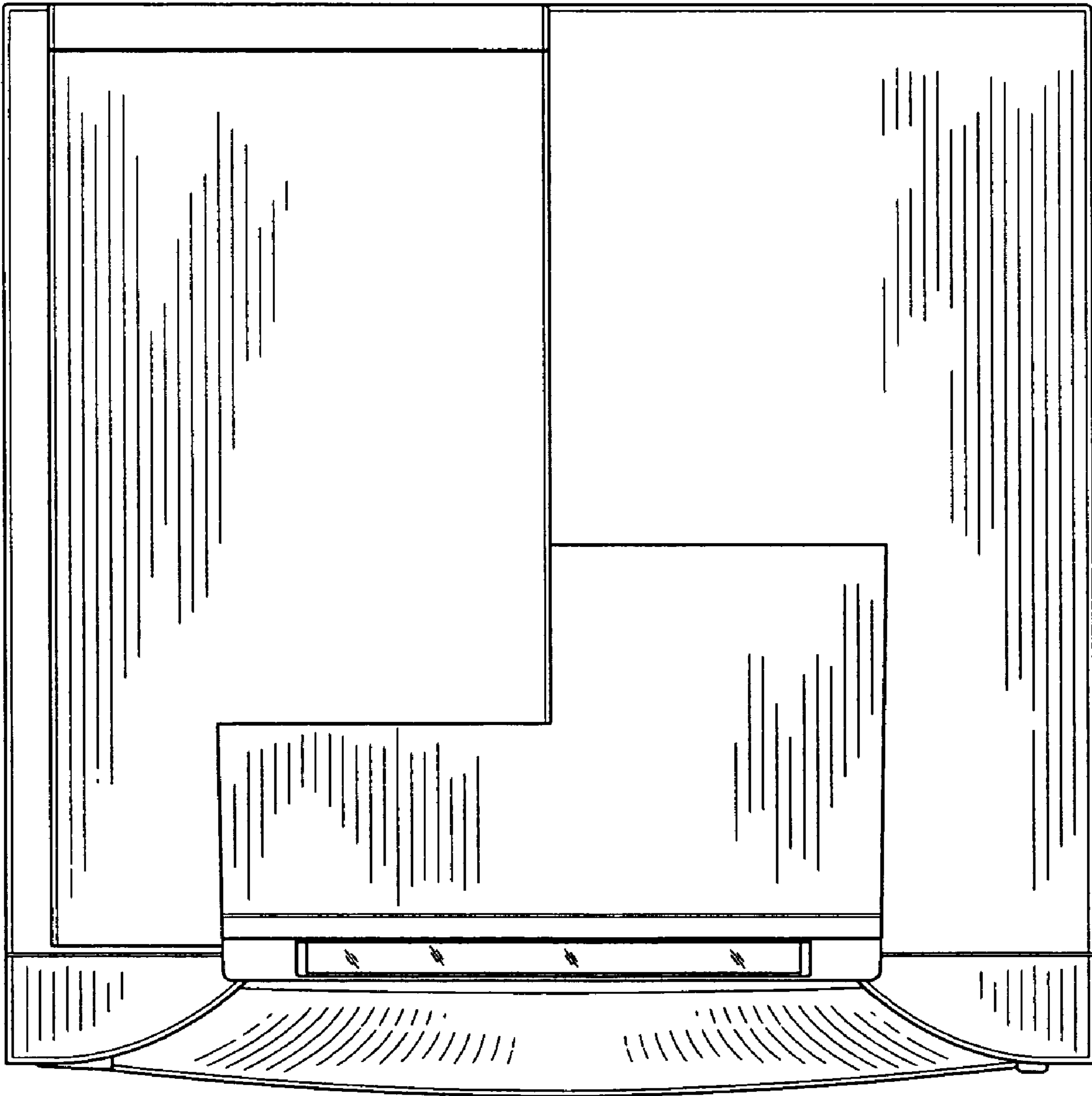


FIG. 9

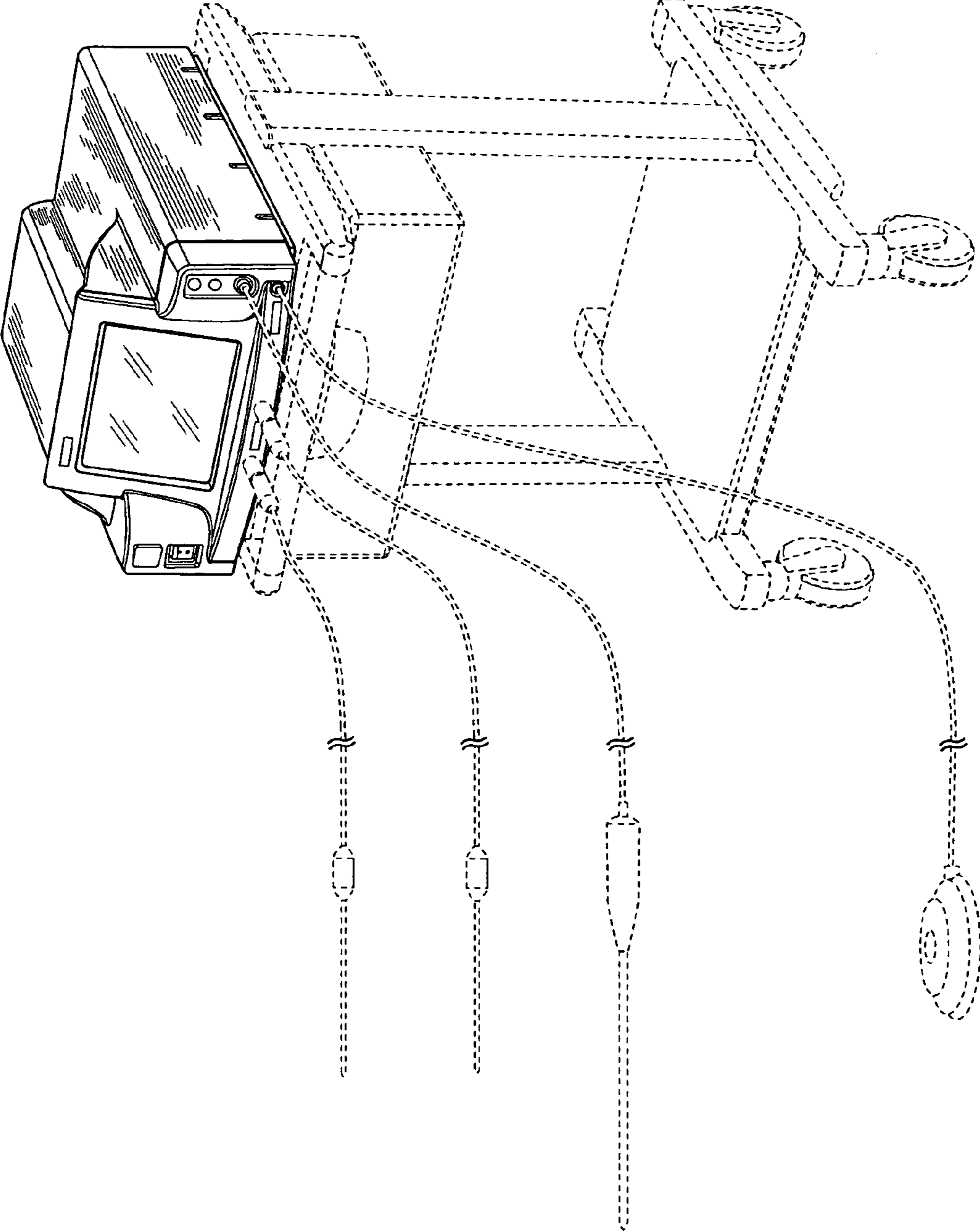


FIG. 10