

US00D548840S

(12) **United States Design Patent**
Fernandez San Pablo

(10) **Patent No.:** **US D548,840 S**

(45) **Date of Patent:** **** Aug. 14, 2007**

(54) **SELF-STRAIGHTENING BRACKET FOR ORTHODONTICS**

(76) **Inventor:** **Rafael Fernandez San Pablo,**
Ingeniero Bryant, 56, Murcia (ES)
30007

(**) **Term:** **14 Years**

(21) **Appl. No.:** **29/237,529**

(22) **Filed:** **Sep. 2, 2005**

(51) **LOC (8) Cl.** **24-02**

(52) **U.S. Cl.** **D24/180**

(58) **Field of Classification Search** D24/176-182,
D24/156; 433/8, 9, 16, 18, 24, 180-183
See application file for complete search history.

(56) **References Cited**

U.S. PATENT DOCUMENTS

3,930,311	A *	1/1976	Andrews	433/8
4,028,809	A *	6/1977	Wallshein	433/16
4,243,387	A *	1/1981	Prins	433/16
4,249,897	A *	2/1981	Anderson	433/8
4,424,031	A *	1/1984	Dahan	433/18
4,487,581	A *	12/1984	Adler	433/16
4,531,911	A *	7/1985	Creekmore	433/8
4,859,179	A *	8/1989	Kesling	433/8
4,988,293	A *	1/1991	Collins et al.	433/8
5,066,225	A *	11/1991	Forbes Jones et al.	433/8
5,125,831	A *	6/1992	Pospisil	433/8
5,125,832	A *	6/1992	Kesling	433/8
5,252,066	A *	10/1993	Fairhurst	433/8

5,256,062	A *	10/1993	Griott	433/9
5,356,288	A *	10/1994	Cohen	433/8
5,358,402	A *	10/1994	Reed et al.	433/8
5,435,720	A *	7/1995	Riebschleger	433/9
5,607,301	A *	3/1997	Roman	433/8
6,071,118	A *	6/2000	Damon	433/9
6,682,345	B2 *	1/2004	Kesling et al.	433/8
6,739,869	B1 *	5/2004	Taub et al.	433/24

OTHER PUBLICATIONS

Kesling, Am J Orthod Dentofac Orthop 96, 1989, pp. 16-25, Dynamics of the Tip-edge bracket.

Kesling, vol. 1, No. 2, 2000, pp. 142-151, The Edgewise Slot: Angle's Orthodontic Albatross.

* cited by examiner

Primary Examiner—Charles A. Rademaker

Assistant Examiner—Charles Hanson

(74) *Attorney, Agent, or Firm*—Jacobson Holman PLLC

(57) **CLAIM**

I claim the ornamental design for the self-straightening bracket for orthodontics, as shown and described.

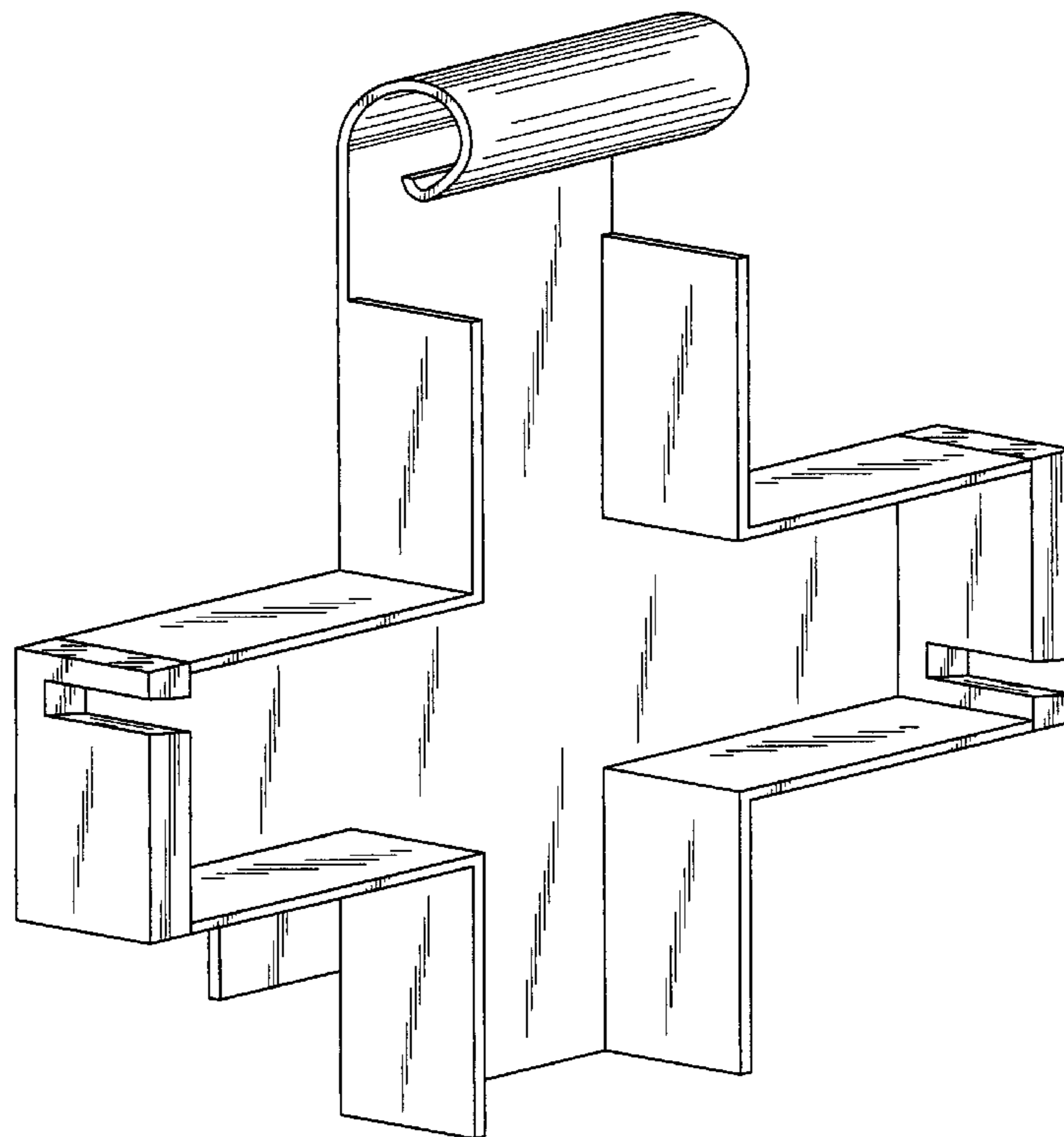
DESCRIPTION

FIG. 1 is a front perspective of the self-straightening bracket for orthodontics embodying my design;

FIG. 2 is a right side elevation of the bracket as shown in FIG. 1; and,

FIG. 3 is a front elevation of the bracket as shown in FIG. 1, the back being a planar surface.

1 Claim, 3 Drawing Sheets



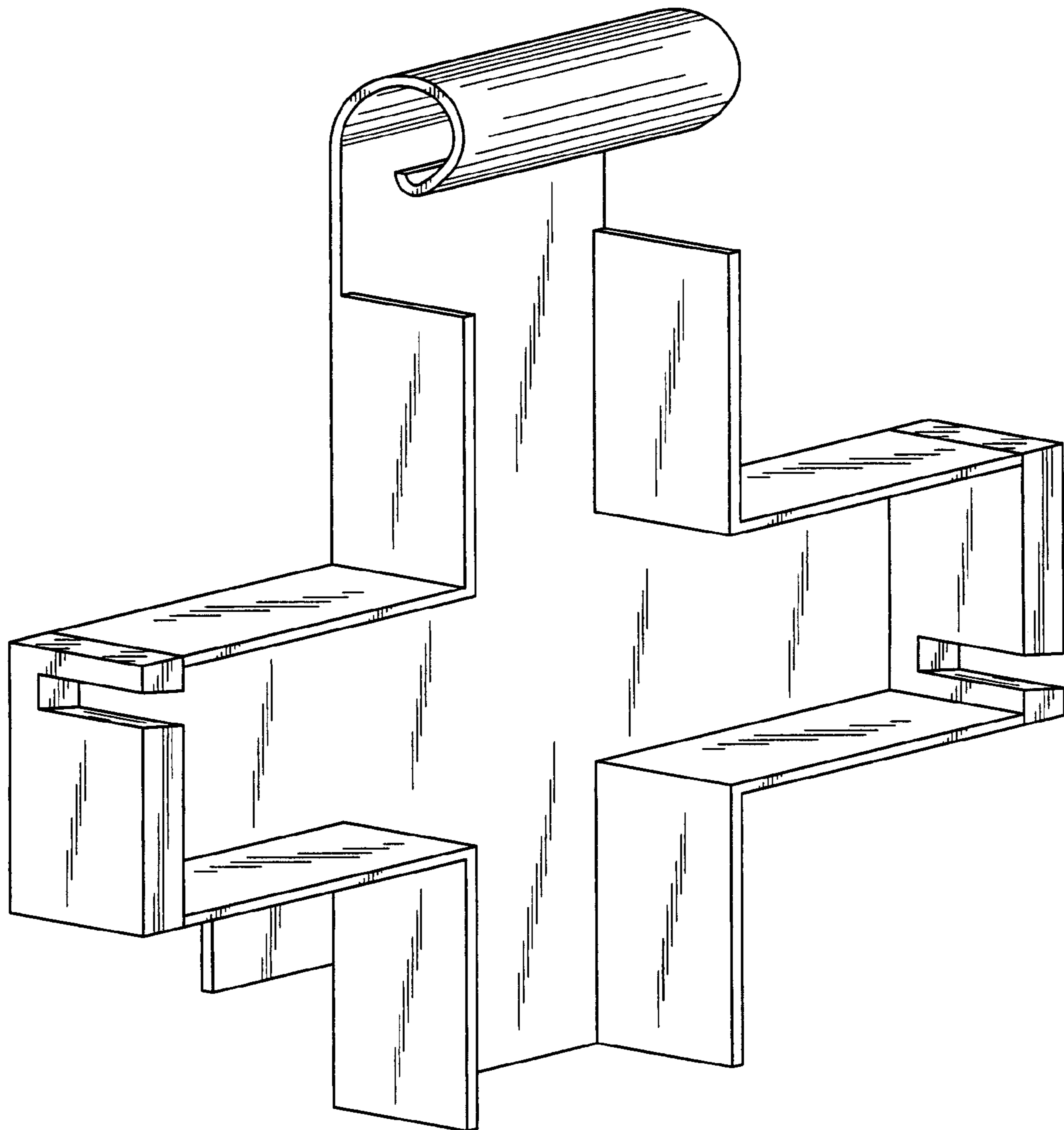


FIG. 1

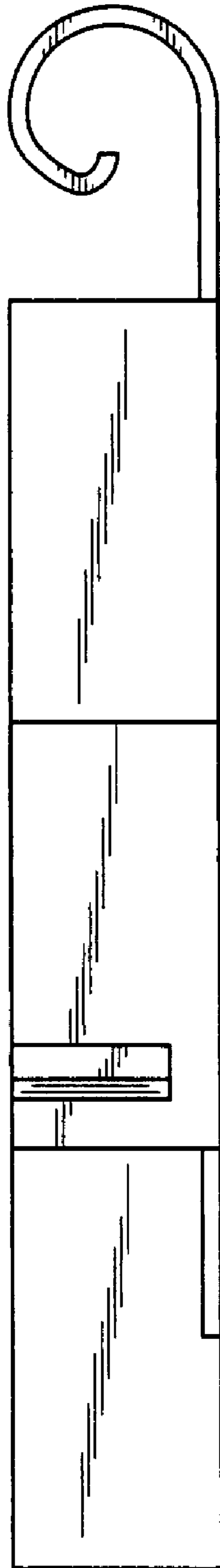


FIG. 2

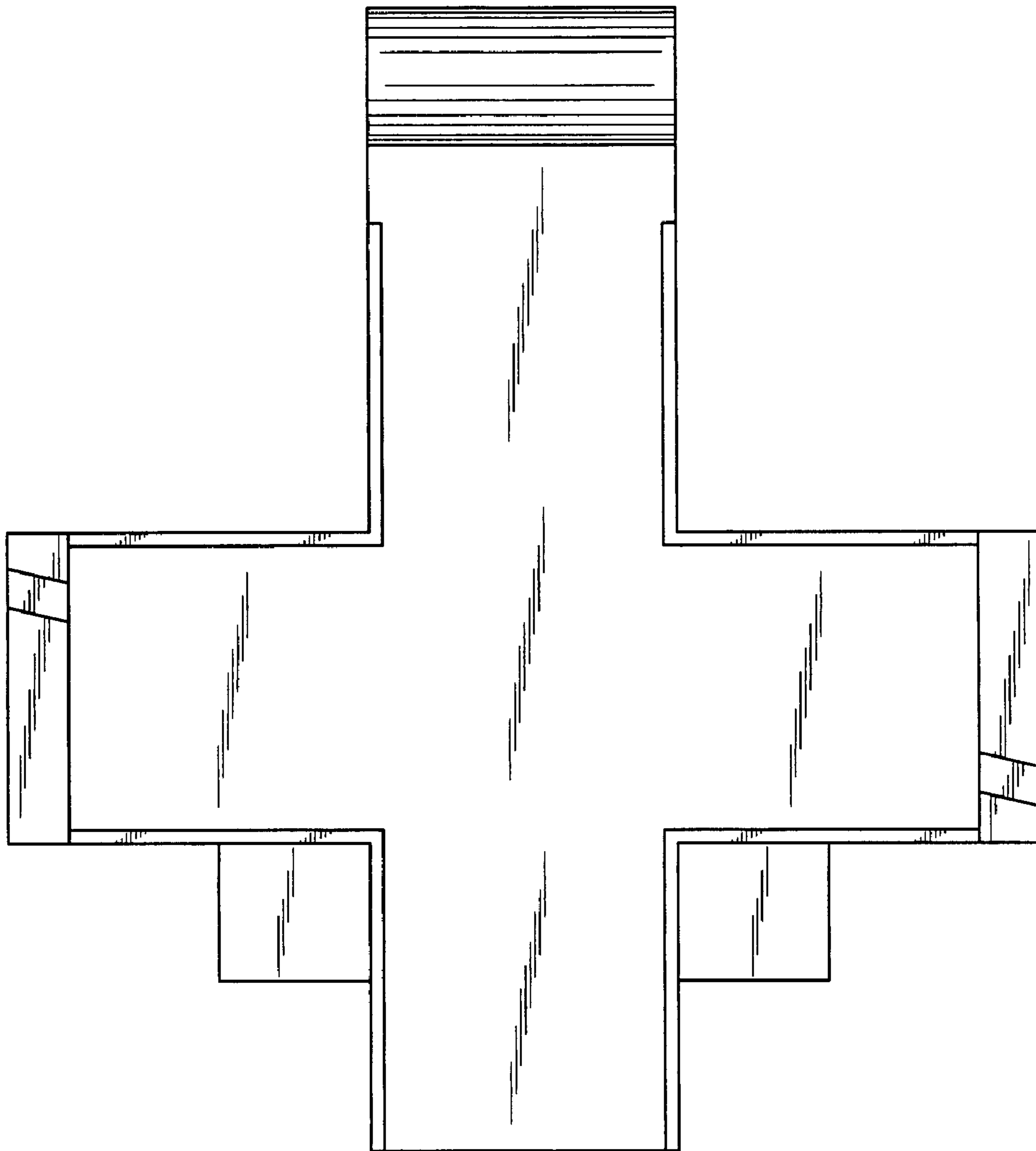


FIG. 3