



US00D548838S

(12) **United States Design Patent**
Hirabayashi et al.

(10) **Patent No.:** **US D548,838 S**

(45) **Date of Patent:** **** Aug. 14, 2007**

(54) **MEDICAL IMAGE READER**

D477,079 S * 7/2003 Takahashi D24/158
D480,143 S * 9/2003 Kondo D24/158
D493,227 S 7/2004 Kondo

(75) Inventors: **Katsumi Hirabayashi**, Tokyo (JP);
Shozo Kondo, Tokyo (JP)

* cited by examiner

(73) Assignee: **Fujifilm Corporation**, Tokyo (JP)

Primary Examiner—Lou Zarfaz
Assistant Examiner—Anhdao Doan

(**) Term: **14 Years**

(74) *Attorney, Agent, or Firm*—Young & Thompson

(21) Appl. No.: **29/259,472**

(57) **CLAIM**

(22) Filed: **May 10, 2006**

The ornamental design for a medical image reader, as shown.

(30) **Foreign Application Priority Data**

Nov. 10, 2005 (JP) 2005-033192

DESCRIPTION

(51) **LOC (8) Cl.** **24-01**

FIG. 1 is a top, front and side perspective view of a medical image reader, showing our new design;

(52) **U.S. Cl.** **D24/158**

FIG. 2 is a front elevational view thereof;

(58) **Field of Classification Search** D24/158-161;
378/167, 171, 172, 181-183; 396/512, 517;
271/292, 299; D16/246, 247; D18/38, 39,
D18/47, 49

FIG. 3 is a rear elevational view thereof;

FIG. 4 is a top plan view thereof;

FIG. 5 is a bottom plan view thereof;

See application file for complete search history.

FIG. 6 is a side elevational view thereof from the left of FIG. 2; and,

(56) **References Cited**

FIG. 7 is a side elevational view thereof from the right of FIG. 2.

U.S. PATENT DOCUMENTS

D372,095 S * 7/1996 Whitby et al. D24/158
D408,838 S * 4/1999 Nelson et al. D16/247

1 Claim, 4 Drawing Sheets

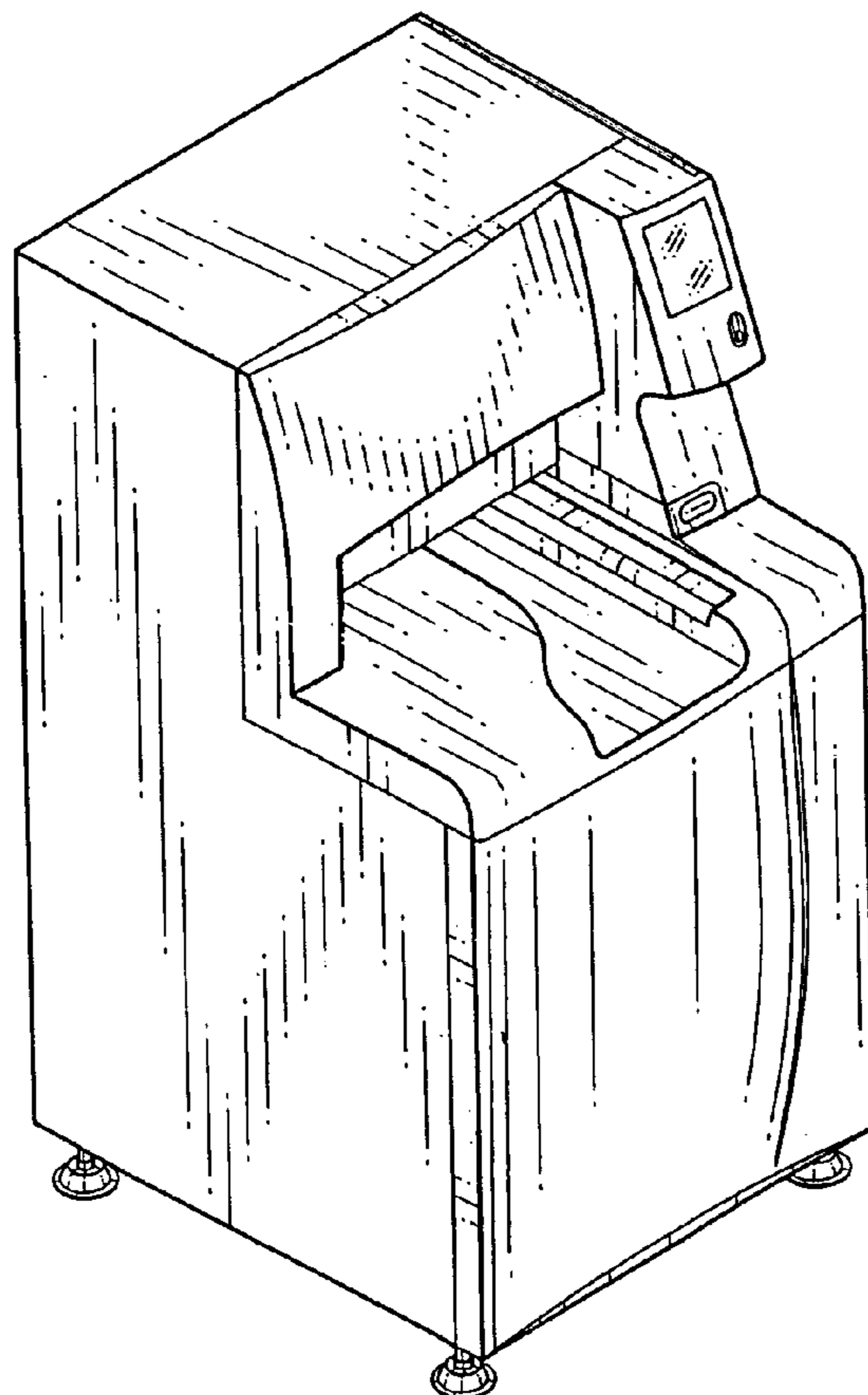


FIG.1

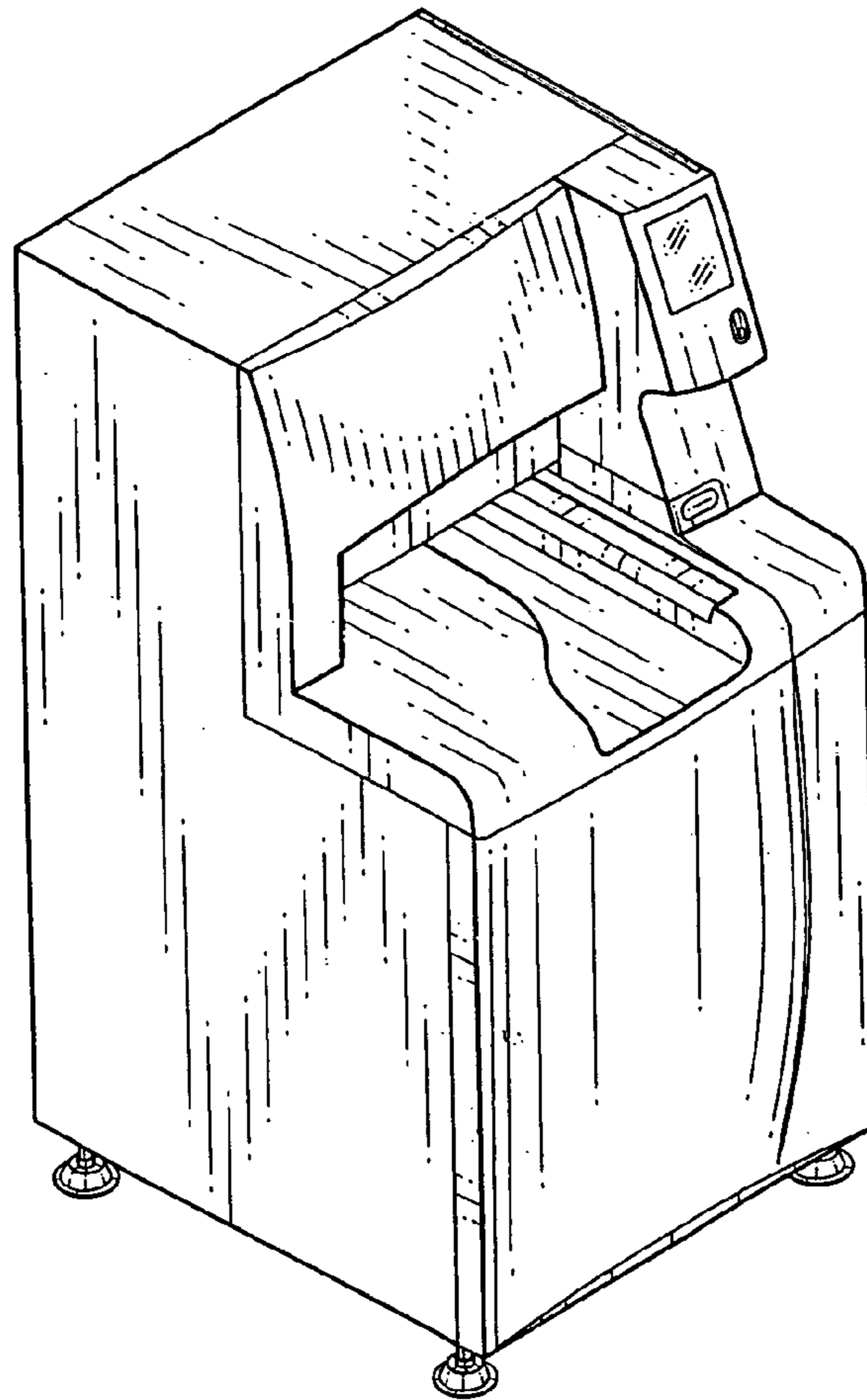


FIG.2

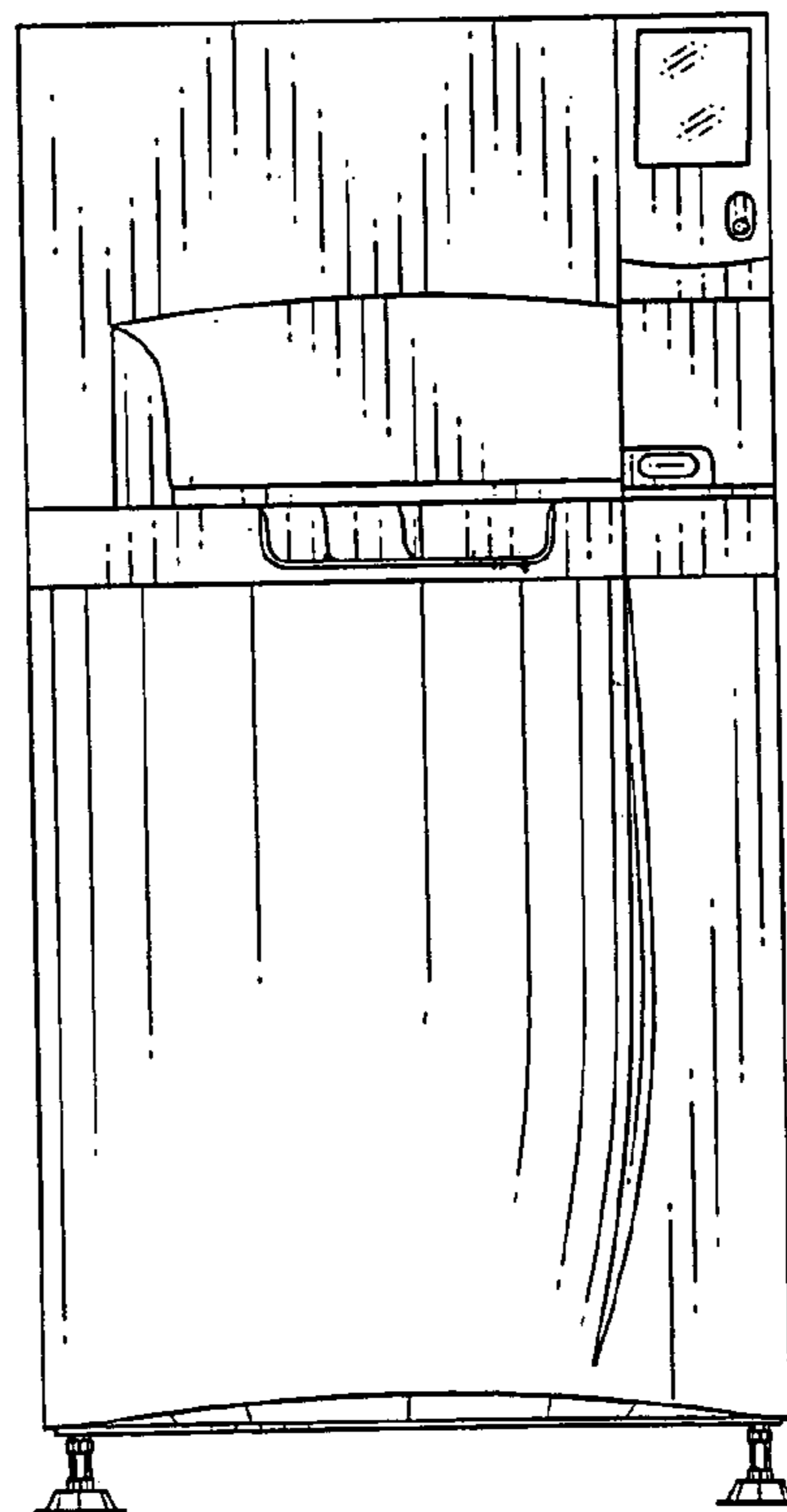


FIG.3

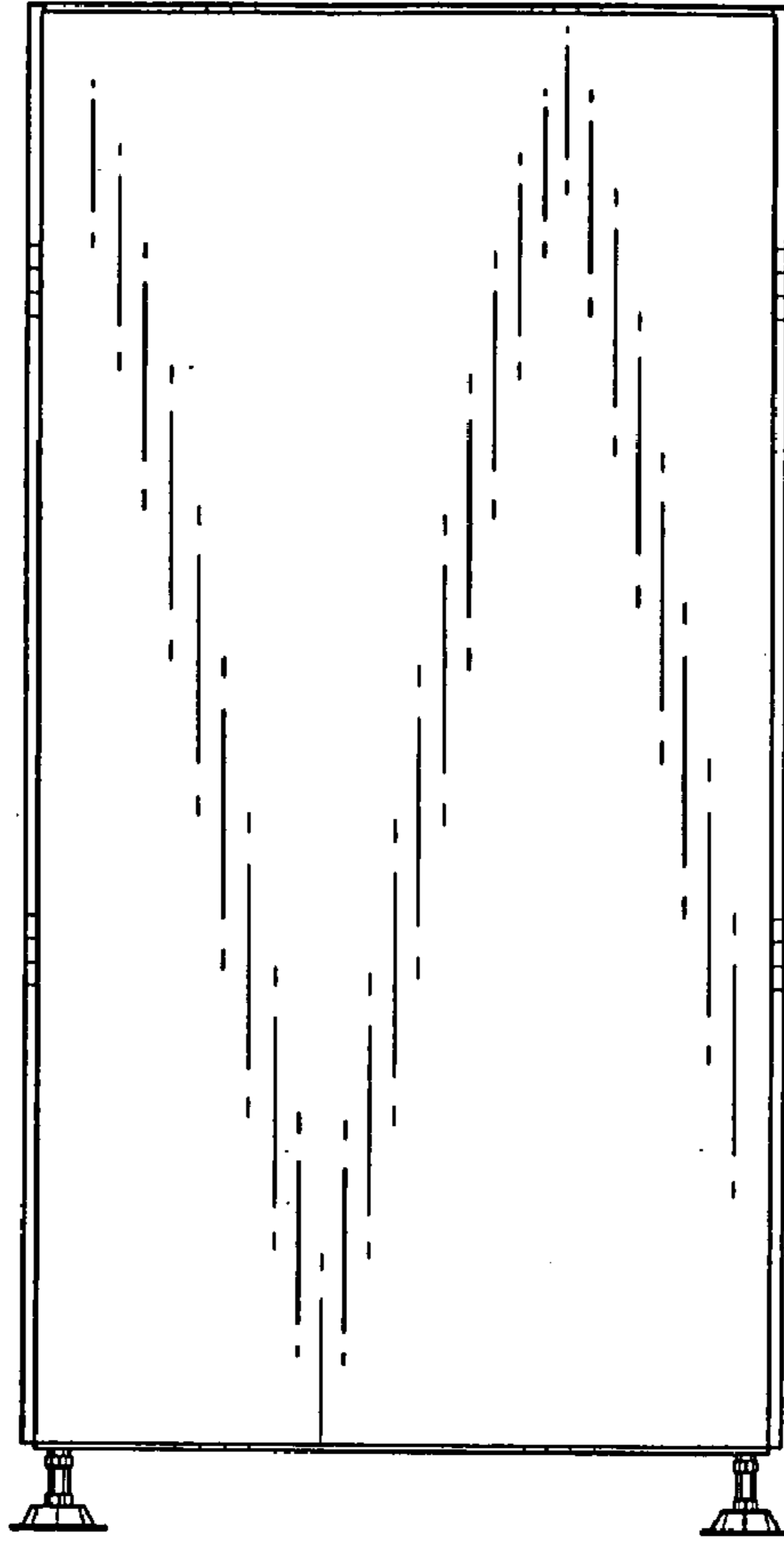


FIG.4

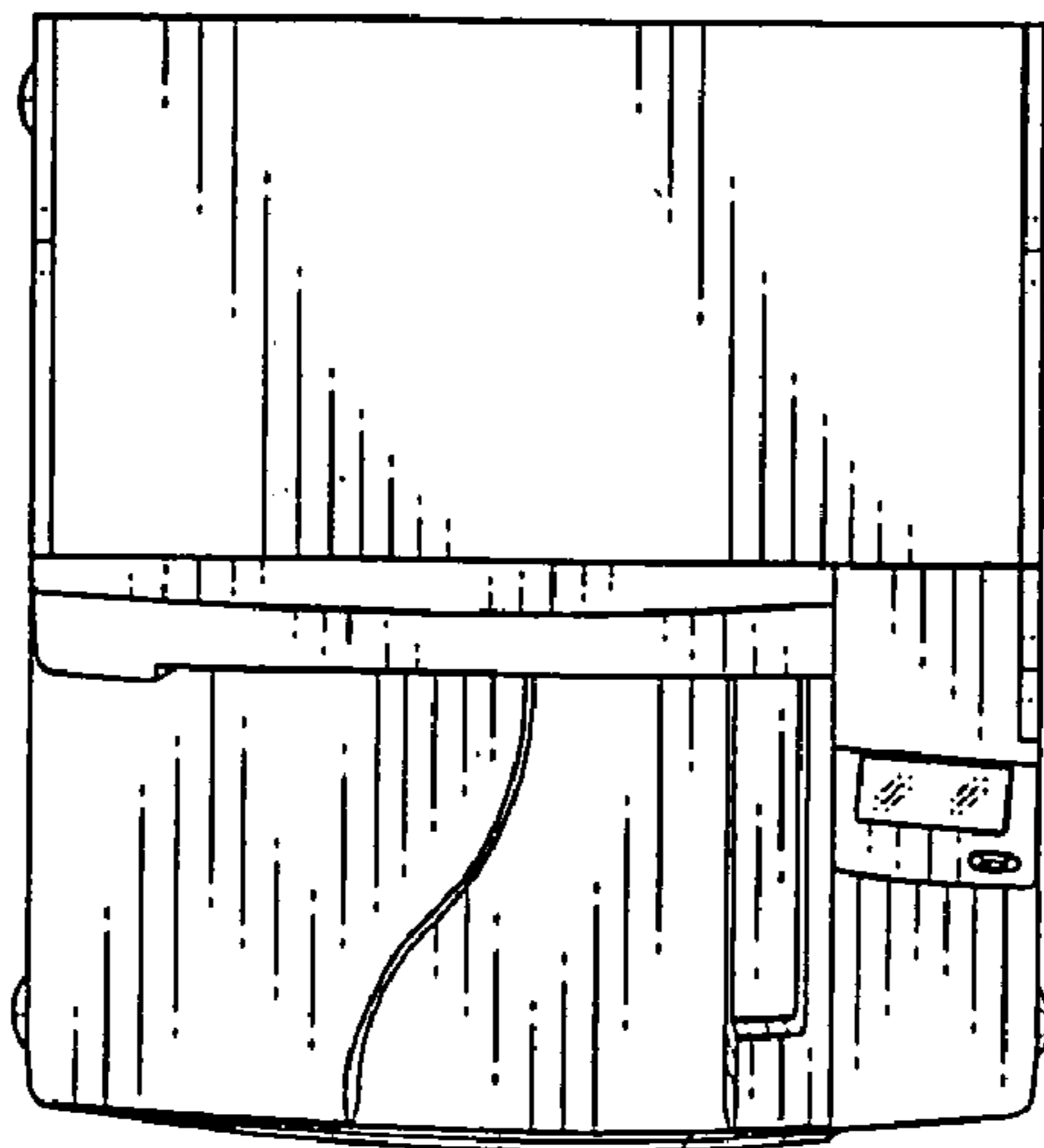


FIG.5

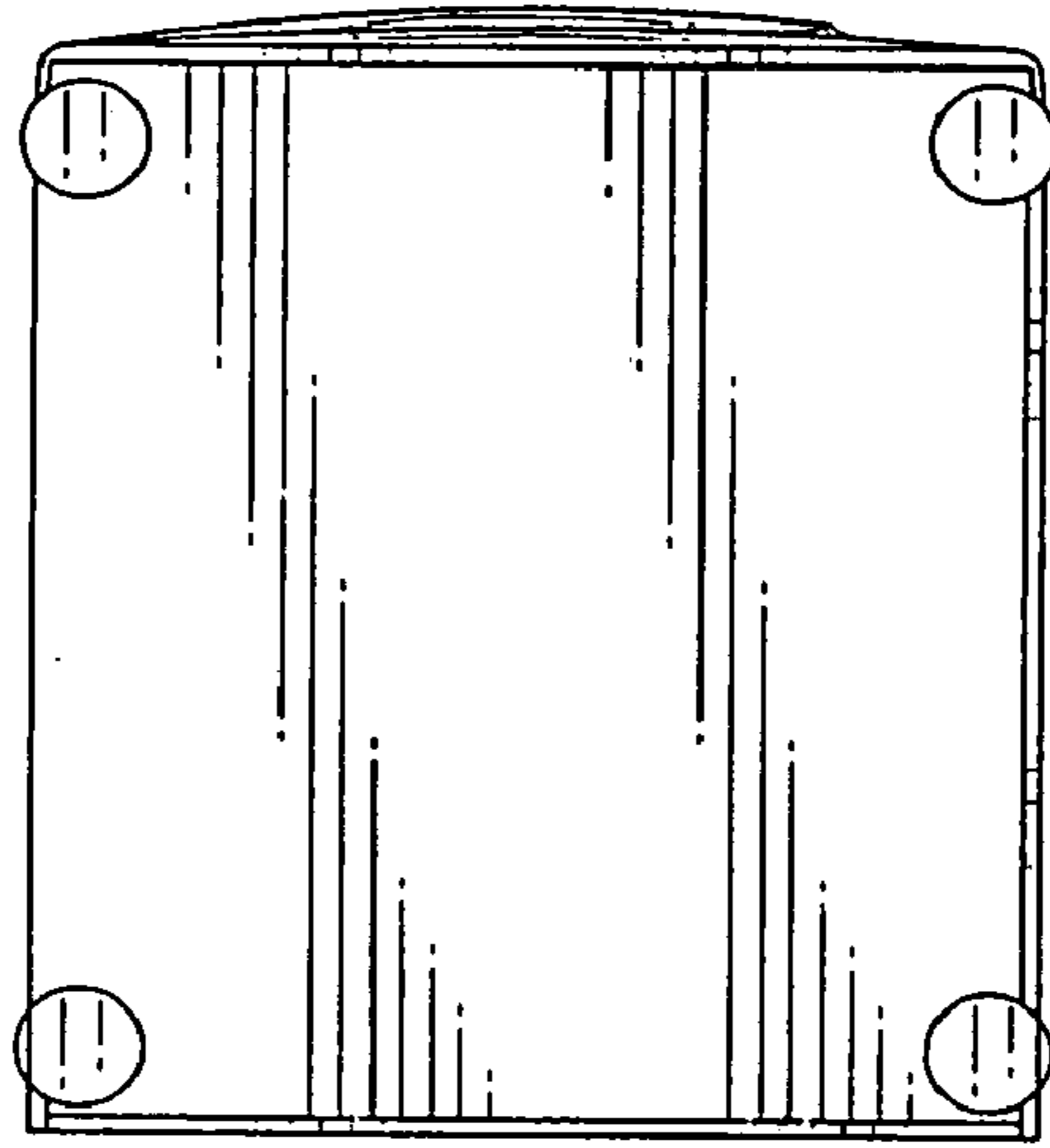


FIG.6

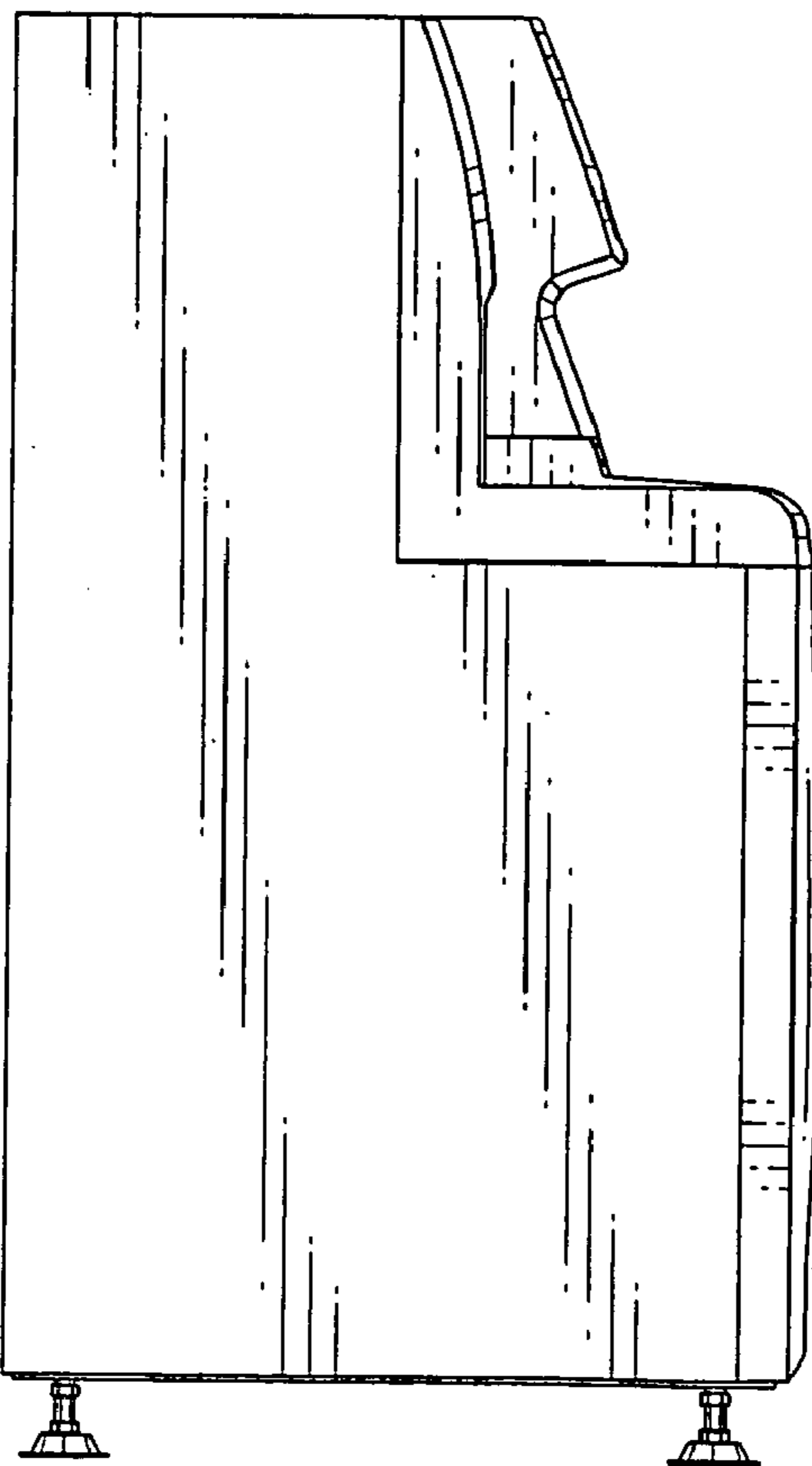


FIG. 7

