

US00D548836S

(12) **United States Design Patent**
Lang et al.

(10) **Patent No.:** **US D548,836 S**

(45) **Date of Patent:** **** Aug. 14, 2007**

(54) **MEDICAL PROBE**

(75) Inventors: **Dieter Lang**, Stockheim (DE); **Michael J Strobel**, Straubing (DE); **Rich Hart**, Attleboro, MA (US)

(73) Assignee: **Karl Storz GmbH & Co. KG** (DE)

(**) Term: **14 Years**

(21) Appl. No.: **29/244,328**

(22) Filed: **Dec. 8, 2005**

(30) **Foreign Application Priority Data**

Jun. 8, 2005 (EM) 000355938

(51) **LOC (8) Cl.** **24-02**

(52) **U.S. Cl.** **D24/146; D24/147**

(58) **Field of Classification Search** D24/147, D24/146, 148, 144, 143; 600/564; 606/205-208
See application file for complete search history.

(56) **References Cited**

U.S. PATENT DOCUMENTS

D289,437 S * 4/1987 Honkanen D24/148
D307,322 S * 4/1990 Dolwick D24/135
5,304,203 A * 4/1994 El-Mallawany et al. 606/207
6,682,548 B2 * 1/2004 Lang et al. 606/205

D498,300 S * 11/2004 Karl-Heinz D24/146
2004/0267304 A1 * 12/2004 Zannis et al. 606/206

OTHER PUBLICATIONS

Karl Storz Katalog, Arthroscopy 2nd edition, Jan. 2003.
karl Storz Katalog, Laparoscopy 5th edition, Jan. 2004.

* cited by examiner

Primary Examiner—Ian Simmons
Assistant Examiner—Christopher Lee

(74) *Attorney, Agent, or Firm*—St. Onge Steward Johnston & Reens LLC

(57) **CLAIM**

The ornamental design for a medical probe, as shown and described.

DESCRIPTION

FIG. 1 is a perspective view of a medical probe in accordance with the new design;

FIG. 2 is a side view thereof;

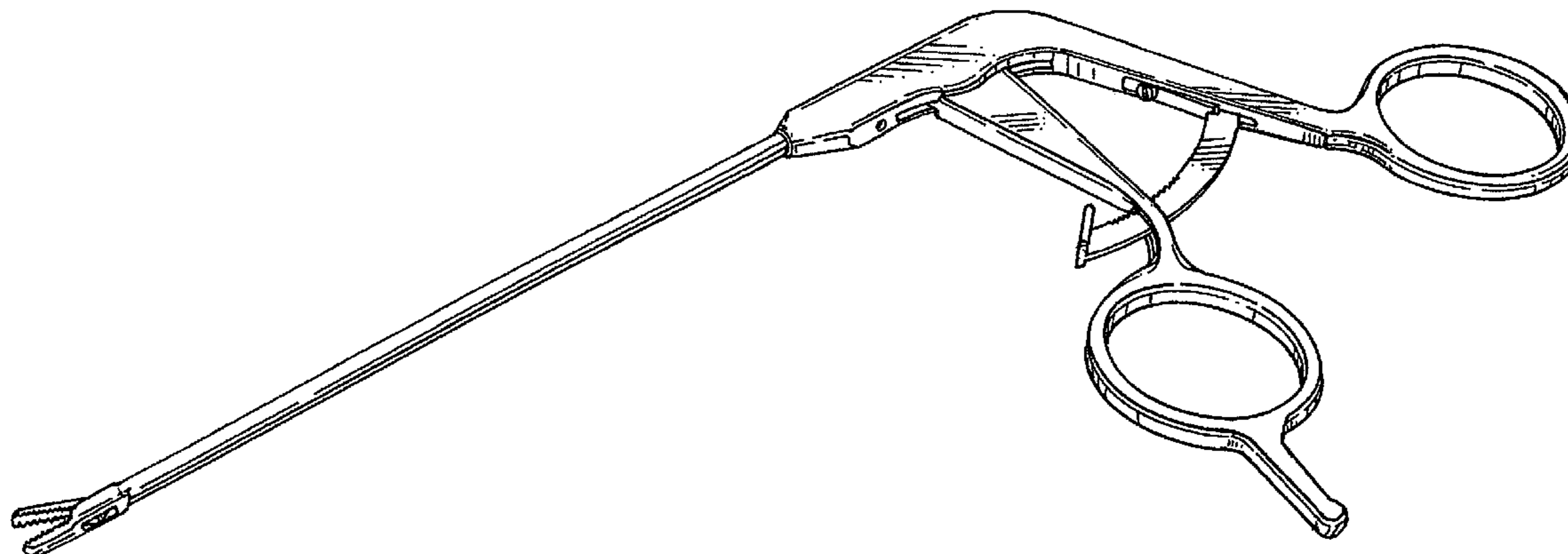
FIG. 3 is a top perspective view thereof;

FIG. 4 is a bottom perspective view thereof;

FIG. 5 is a front perspective view thereof; and,

FIG. 6 is a rear perspective view.

1 Claim, 5 Drawing Sheets



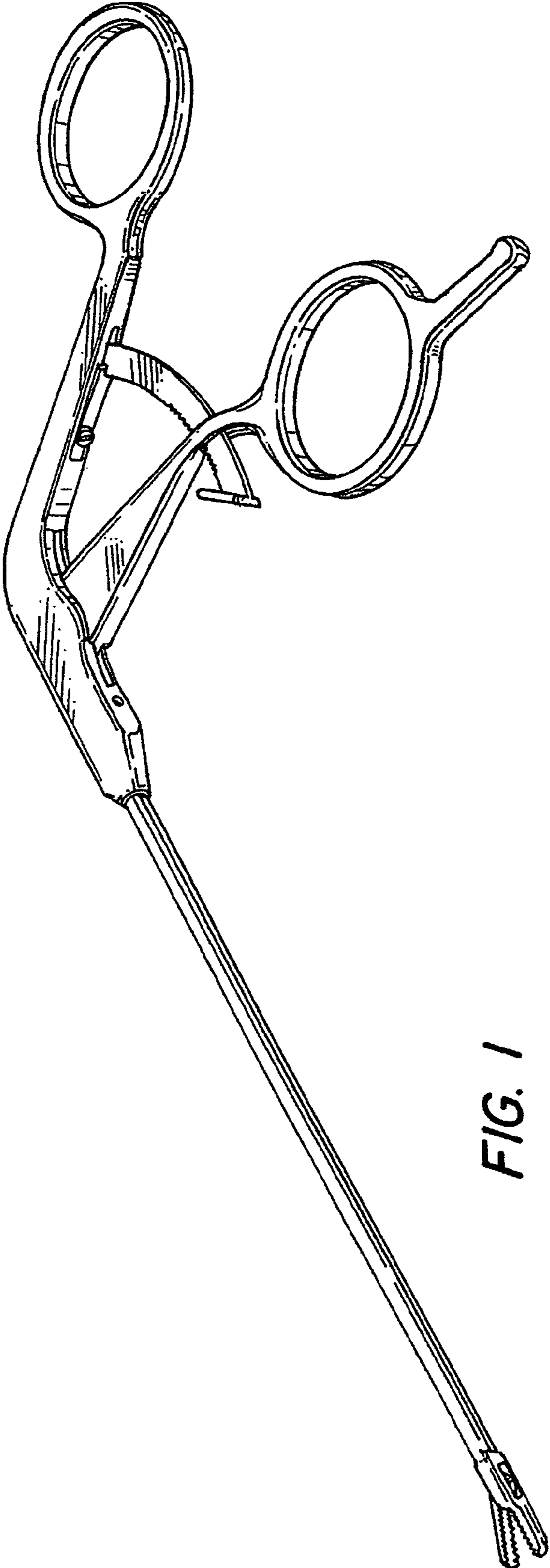


FIG. 1

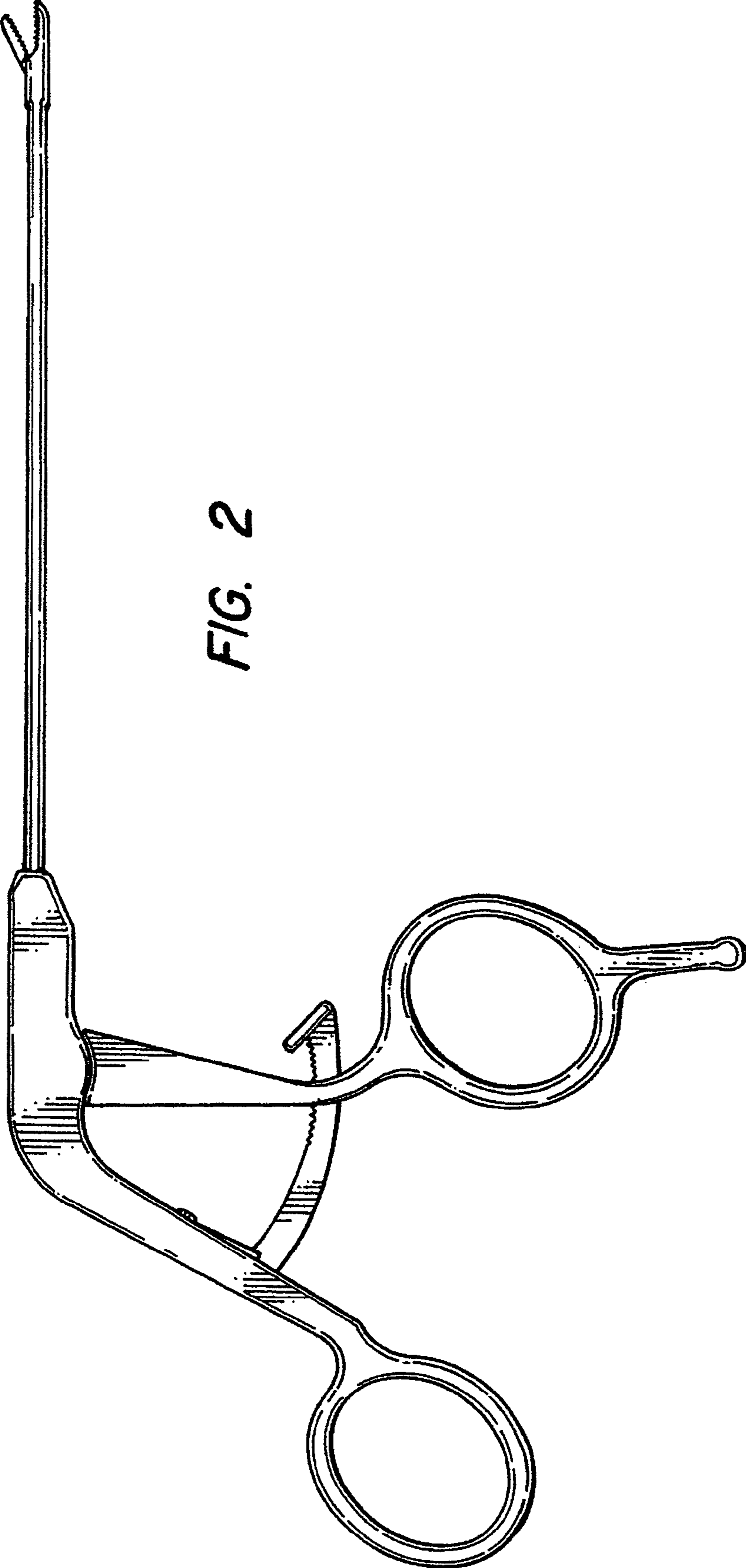


FIG. 2

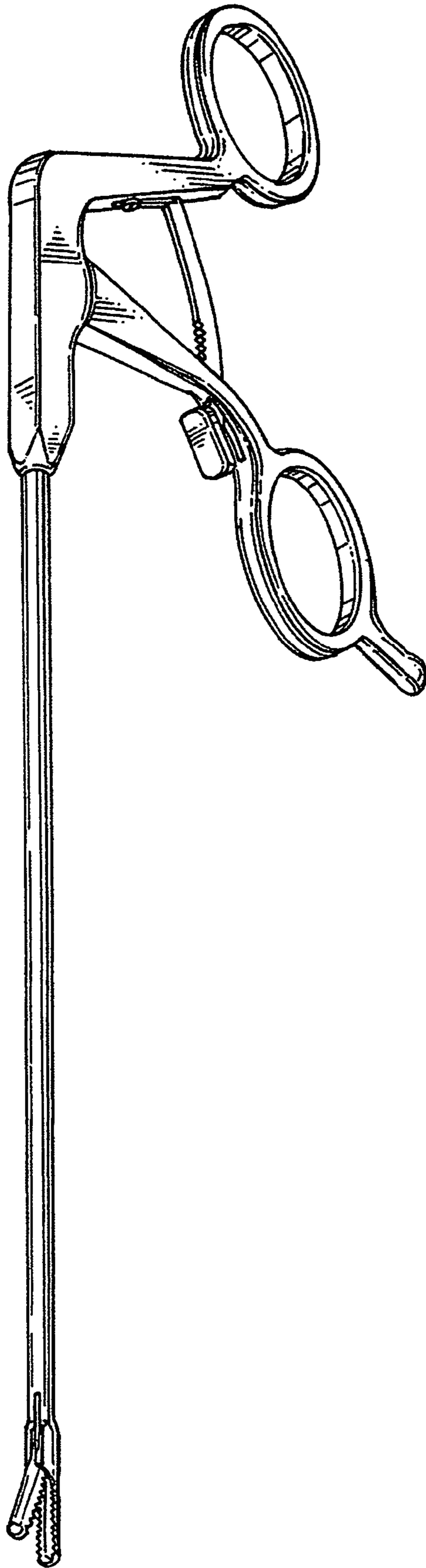


FIG. 3

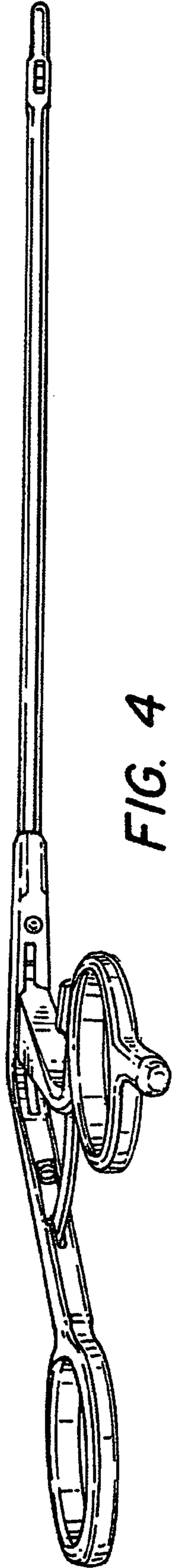


FIG. 4

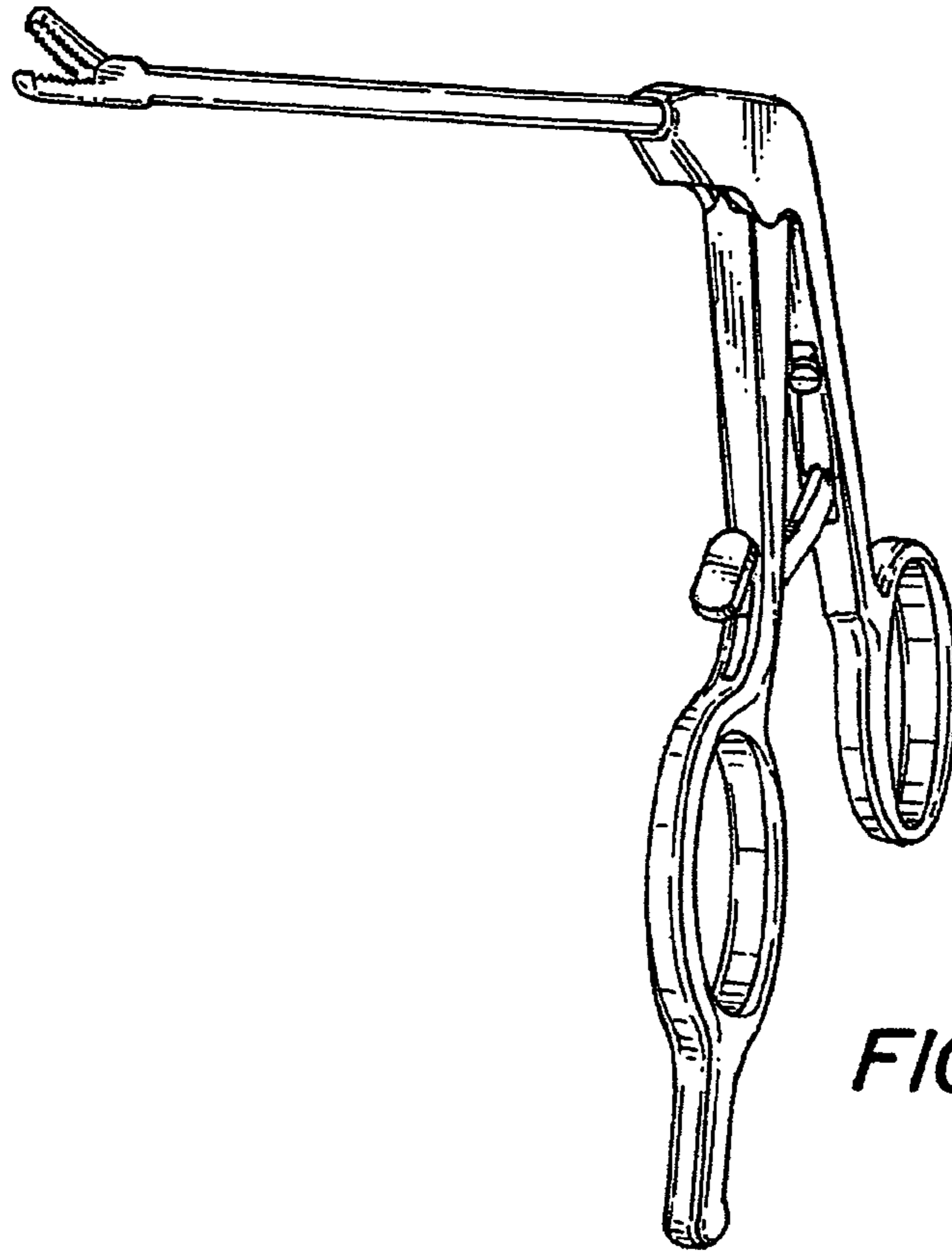


FIG. 5

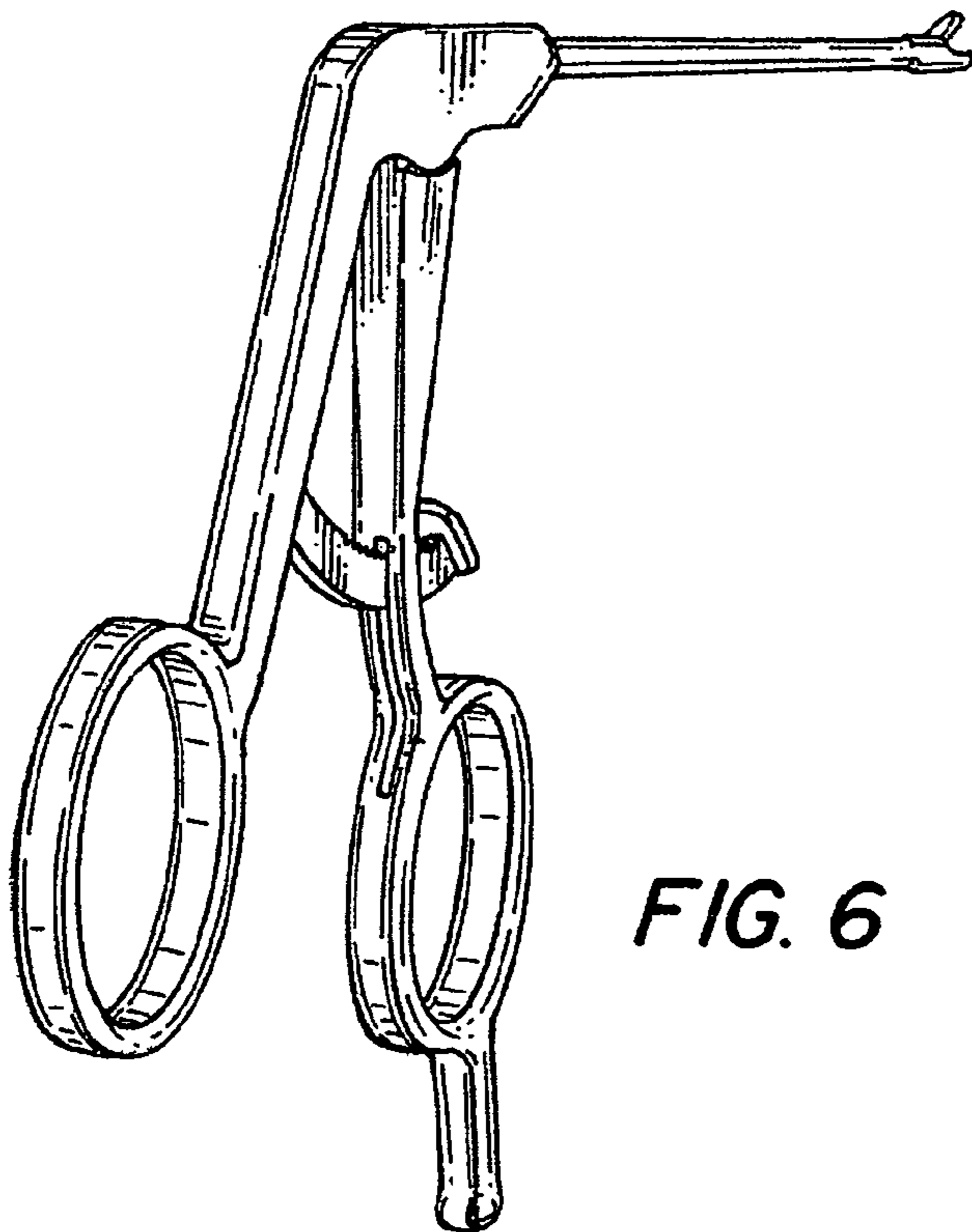


FIG. 6