

US00D548832S

(12) **United States Design Patent**  
**Kallay et al.**

(10) **Patent No.:** **US D548,832 S**

(45) **Date of Patent:** **\*\* Aug. 14, 2007**

(54) **MEDICAL PROBE**

D478,164 S \* 8/2003 Wang ..... D24/108  
D494,672 S \* 8/2004 Wang ..... D24/108

(76) Inventors: **Sandor Kallay**, H-7625 Pecs, Suranyi  
u. 43/A (HU); **Zsolt Roncs**, H-8900  
Zalagerszeg, Valicka u. 19 (HU);  
**Sandor Nagy**, H-7624 Pecs, Buday  
Dezso u. 48 (HU)

\* cited by examiner

*Primary Examiner*—Ian Simmons  
*Assistant Examiner*—Christopher Lee  
(74) *Attorney, Agent, or Firm*—Hershkovitz & Associates;  
Abe Hershkovitz

(\*\*) **Term:** **14 Years**

(21) **Appl. No.:** **29/264,899**

(57) **CLAIM**

(22) **Filed:** **Aug. 22, 2006**

We claim the ornamental design for a medical probe, as shown and described.

**Related U.S. Application Data**

**DESCRIPTION**

(62) Division of application No. 29/222,894, filed on Feb. 7, 2005.

FIG. 1 is a front perspective view of the cap, front, middle and rear portion of a medical probe, showing our new design in a dissembled state for ease of illustration;

(51) **LOC (8) Cl.** ..... **24-01**

(52) **U.S. Cl.** ..... **D24/108**

FIG. 2 is a top view thereof;

(58) **Field of Classification Search** ..... D24/133,  
D24/107, 108, 111–115, 121, 129, 130; D9/683;  
604/68, 256, 411, 38, 514, 73, 35, 315  
See application file for complete search history.

FIG. 3 is a front view of the cap, front, middle and rear portion of a medical probe in consecutive positions of the portions as shown in FIG. 2 for ease of illustration;

FIG. 4 is a rear view thereof; and,

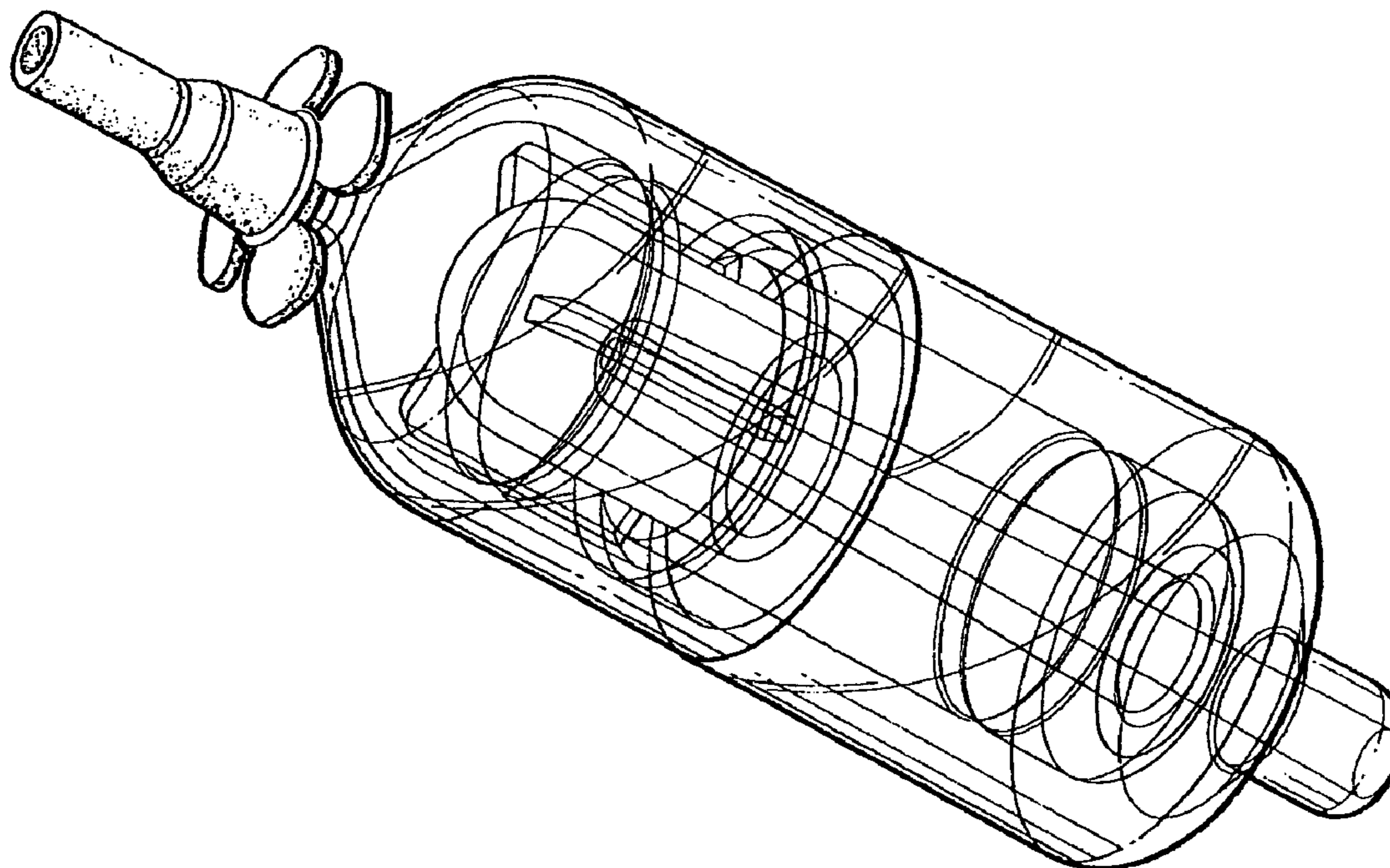
(56) **References Cited**

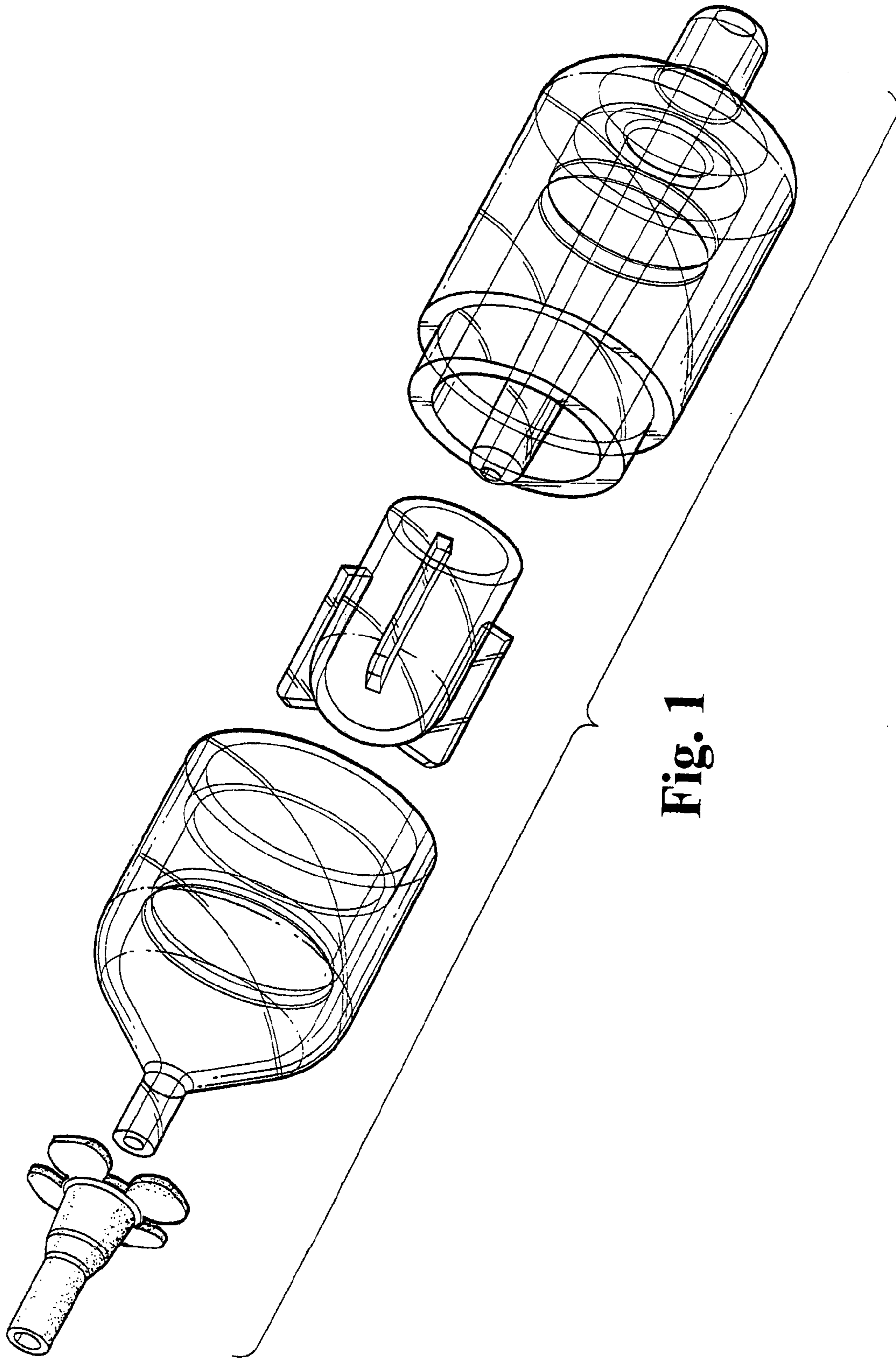
FIG. 5 is a front perspective view of the cap, middle and rear portion of a medical probe in an assembled state for ease of illustration.

**U.S. PATENT DOCUMENTS**

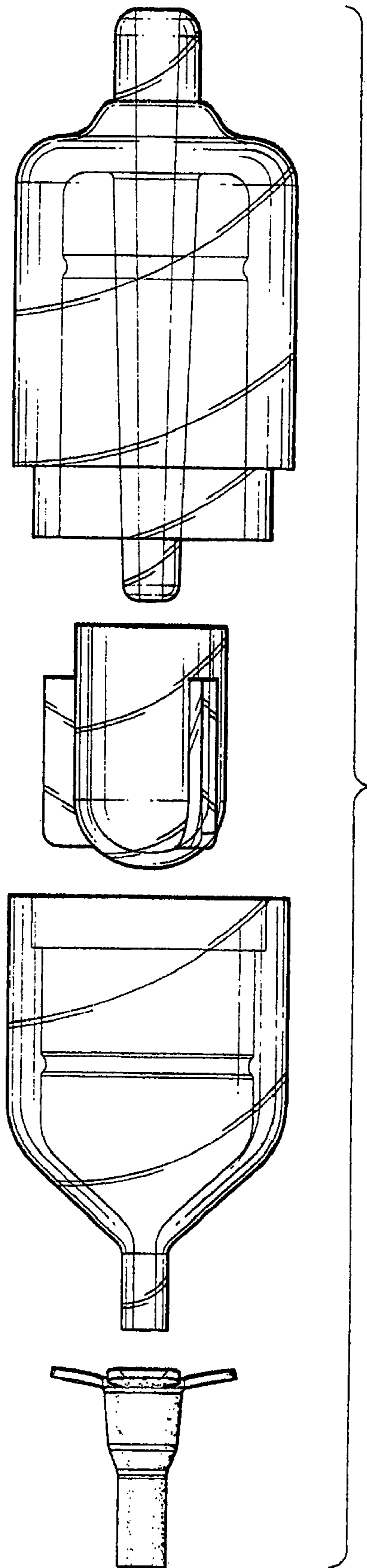
4,341,211 A \* 7/1982 Kline ..... 604/514  
D451,597 S \* 12/2001 Suh ..... D24/108

**1 Claim, 5 Drawing Sheets**





**Fig. 1**



**Fig. 2**

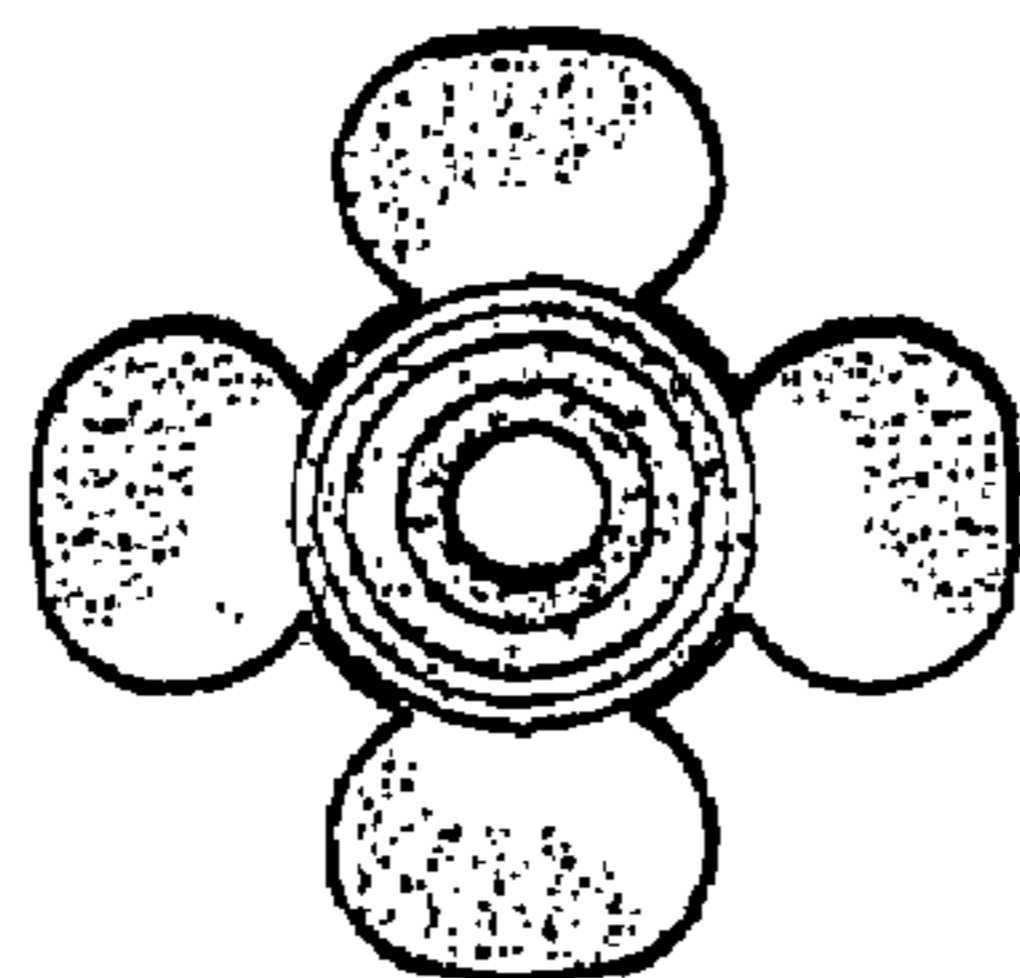
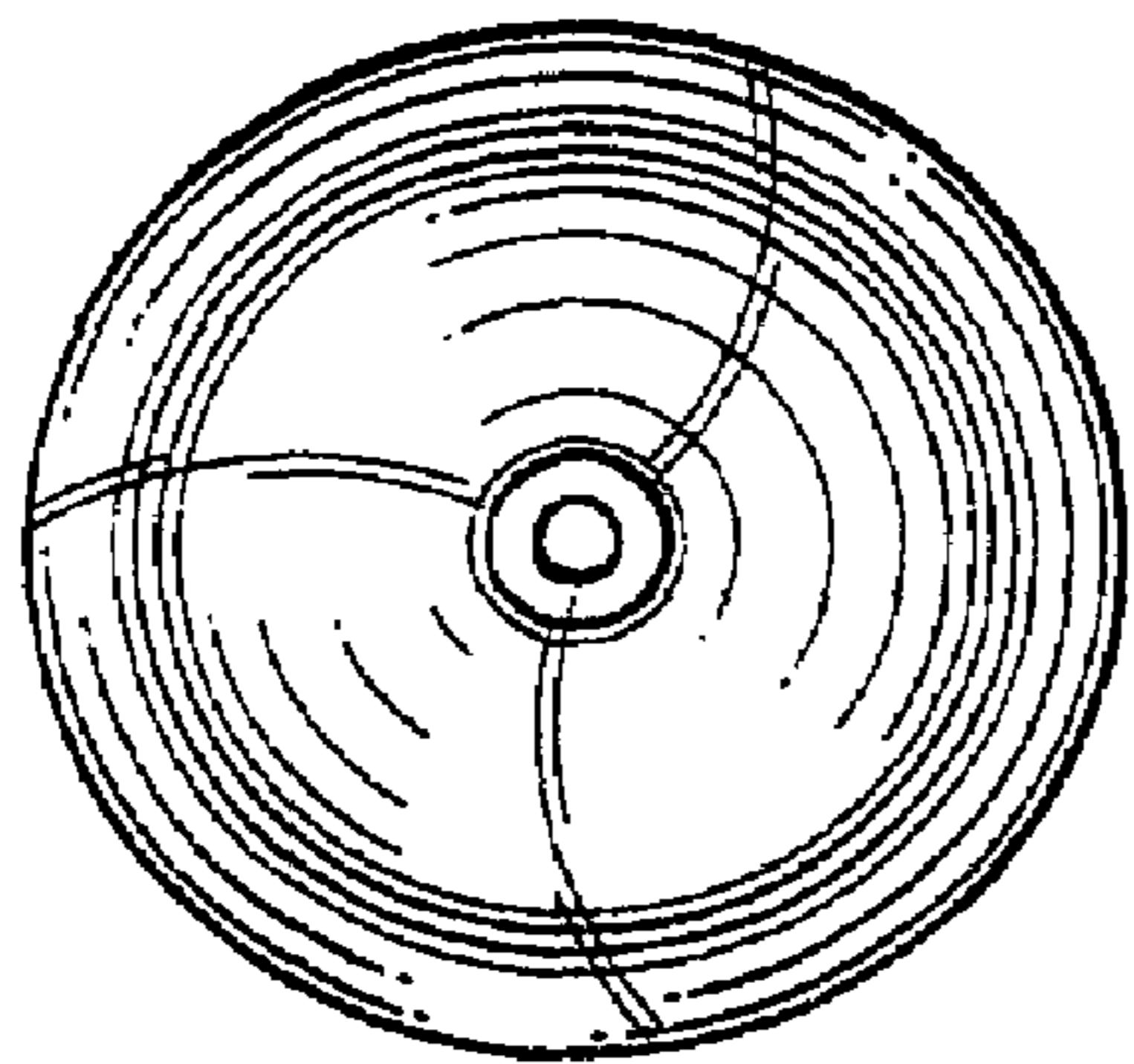
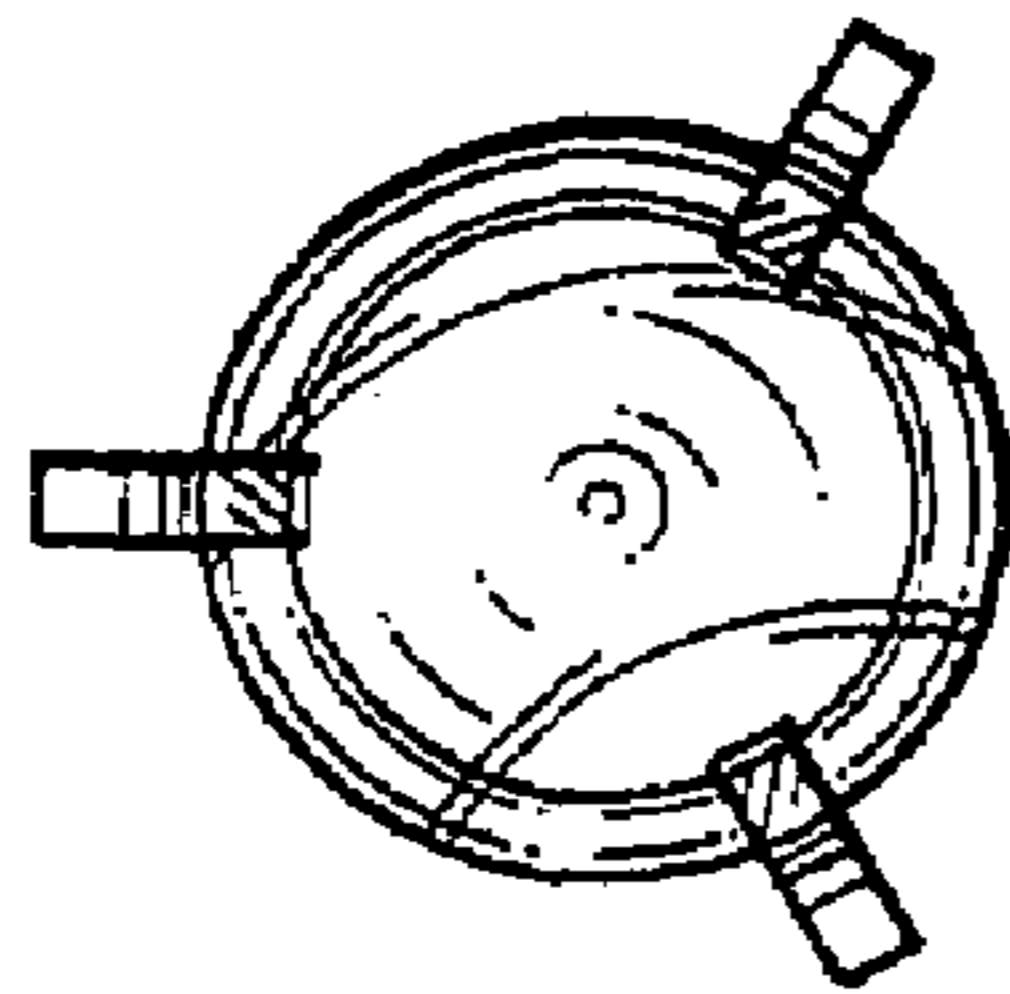
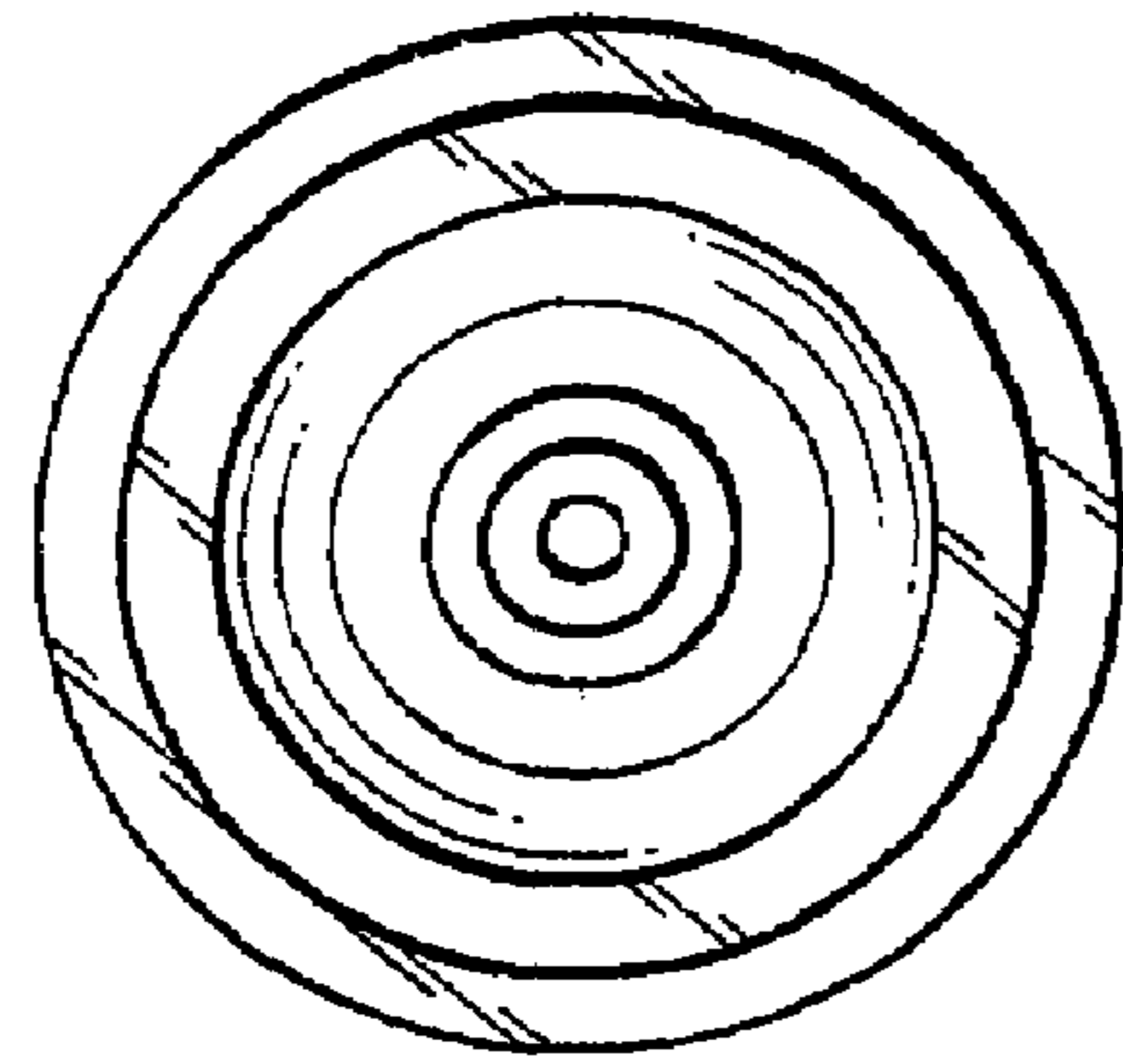
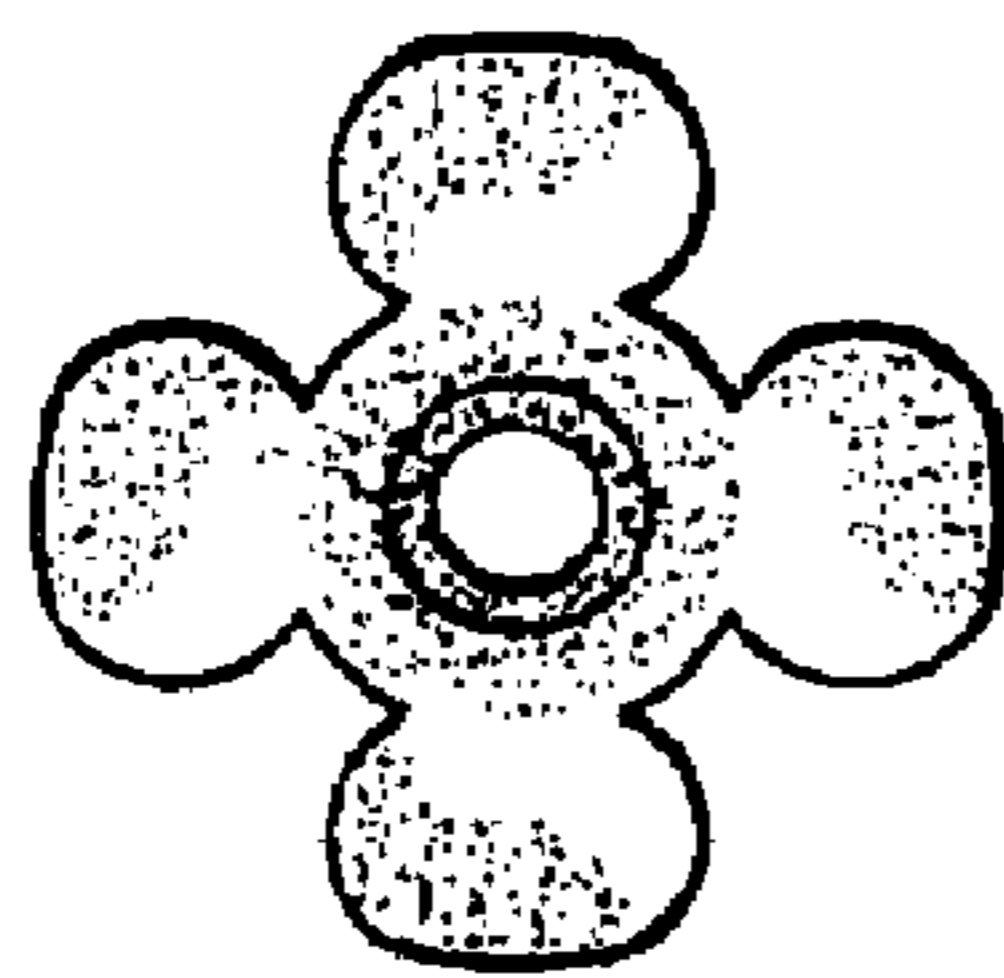
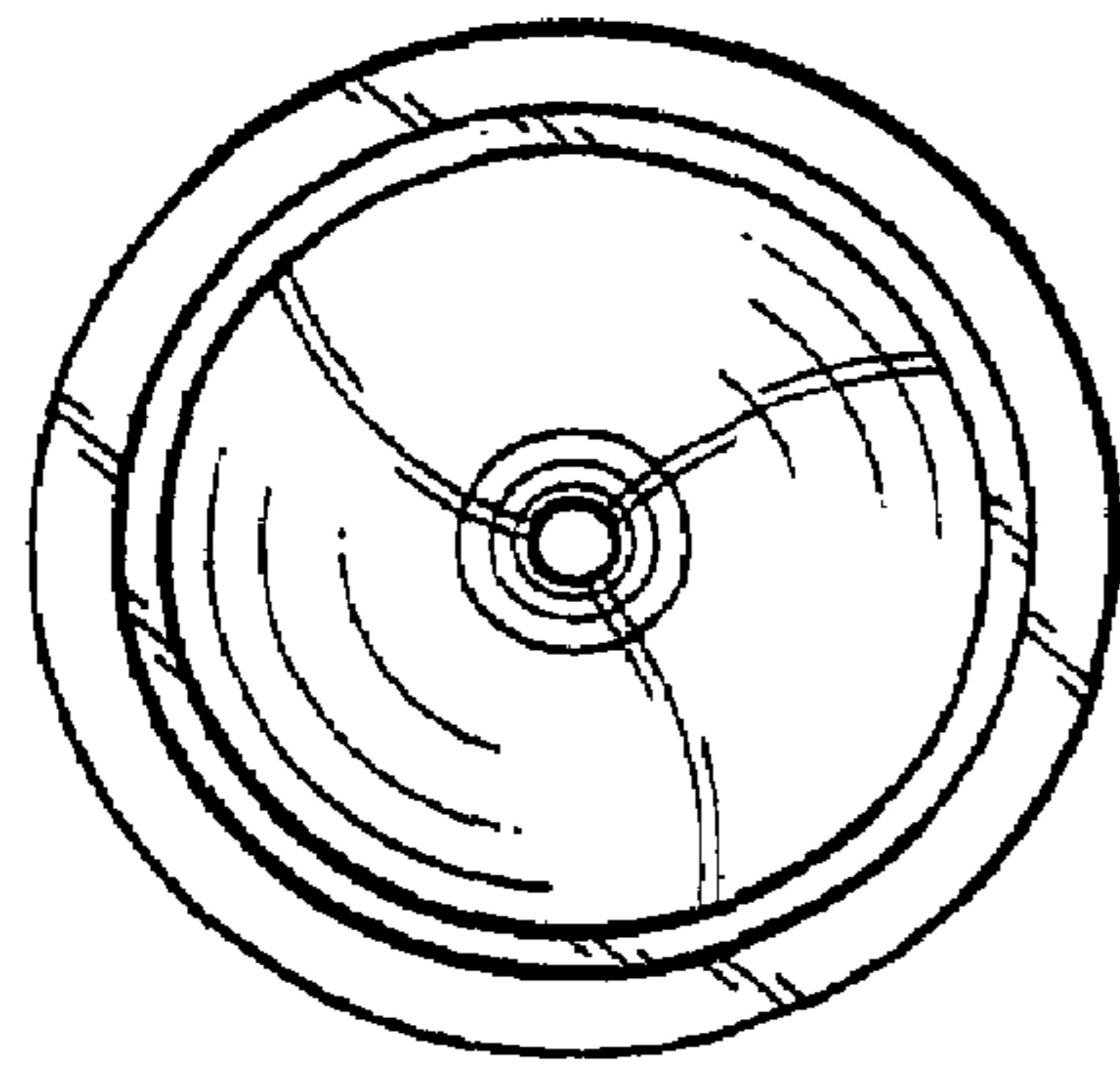
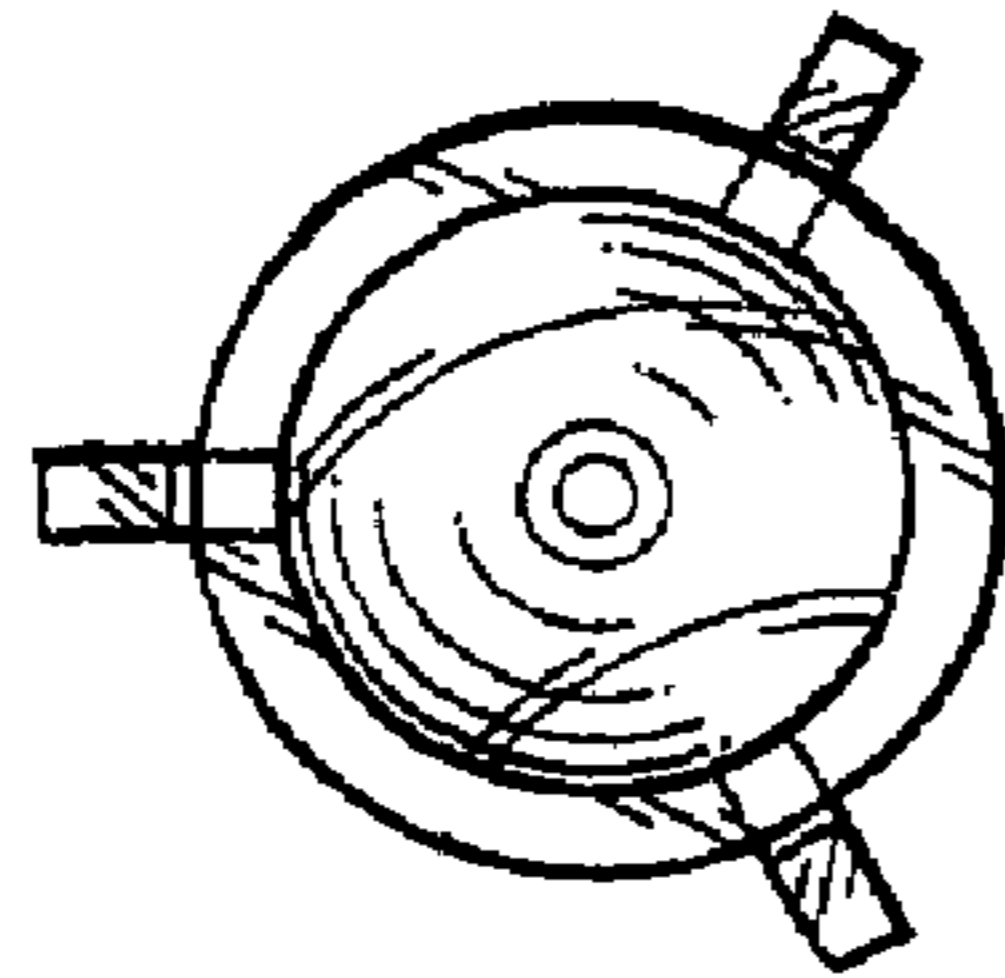
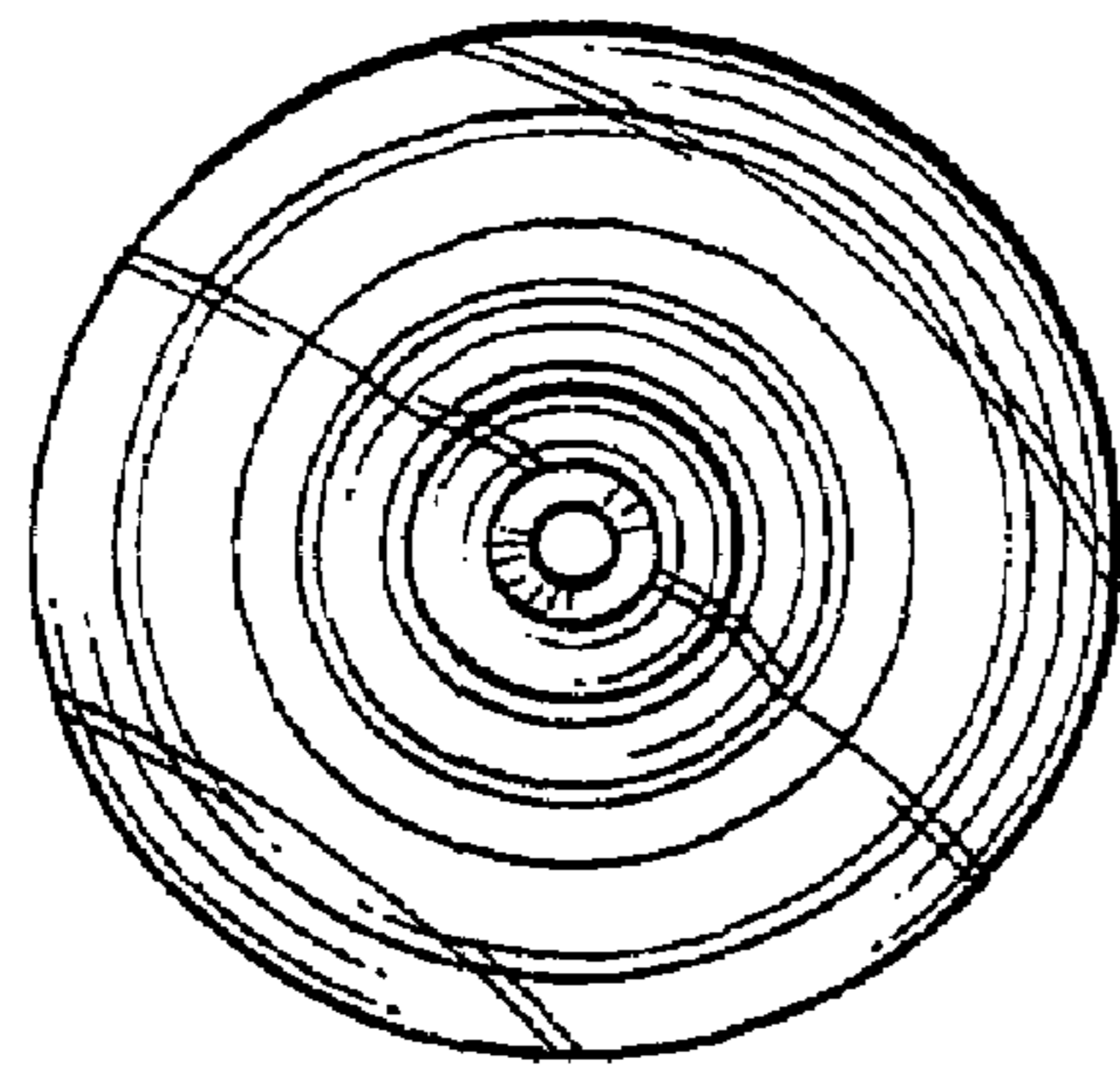
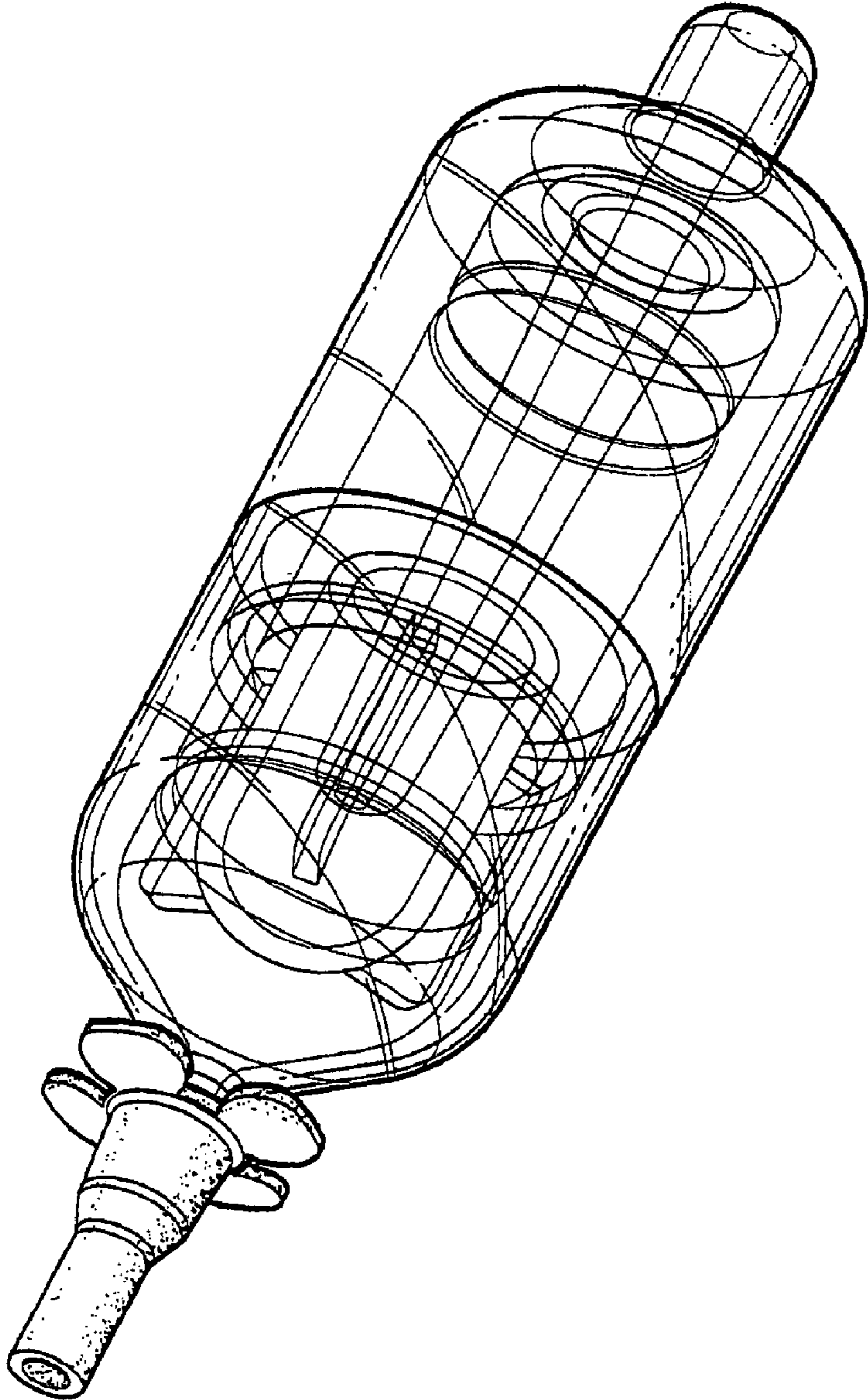


Fig. 3





**Fig. 4**



**Fig. 5**