



US00D548828S

(12) **United States Design Patent**
Wang

(10) **Patent No.:** **US D548,828 S**
(45) **Date of Patent:** **** Aug. 14, 2007**

(54) **FAN WITH TWO OPERATIONAL CONFIGURATIONS**

(76) Inventor: **Chi-Hsiang Wang**, 12F-6, No. 16 Jian Ba Rd., Chung Ho (TW), 235

(**) Term: **14 Years**

(21) Appl. No.: **29/202,748**

(22) Filed: **Apr. 5, 2004**

(51) **LOC (8) Cl.** **23-04**

(52) **U.S. Cl.** **D23/378**

(58) **Field of Classification Search** D23/370,
D23/378, 382; 416/247 R, 244 R
See application file for complete search history.

(56) **References Cited**

U.S. PATENT DOCUMENTS

D323,885 S	*	2/1992	Wortham	D23/378
D452,733 S	*	1/2002	Thakur	D23/378
D514,686 S	*	2/2006	Wang	D23/378
D521,629 S	*	5/2006	Shapiro	D23/378

* cited by examiner

Primary Examiner—Lisa Lichtenstein

(74) *Attorney, Agent, or Firm*—Karry W. Wang, Esq.; Law Offices of K.W. Wang

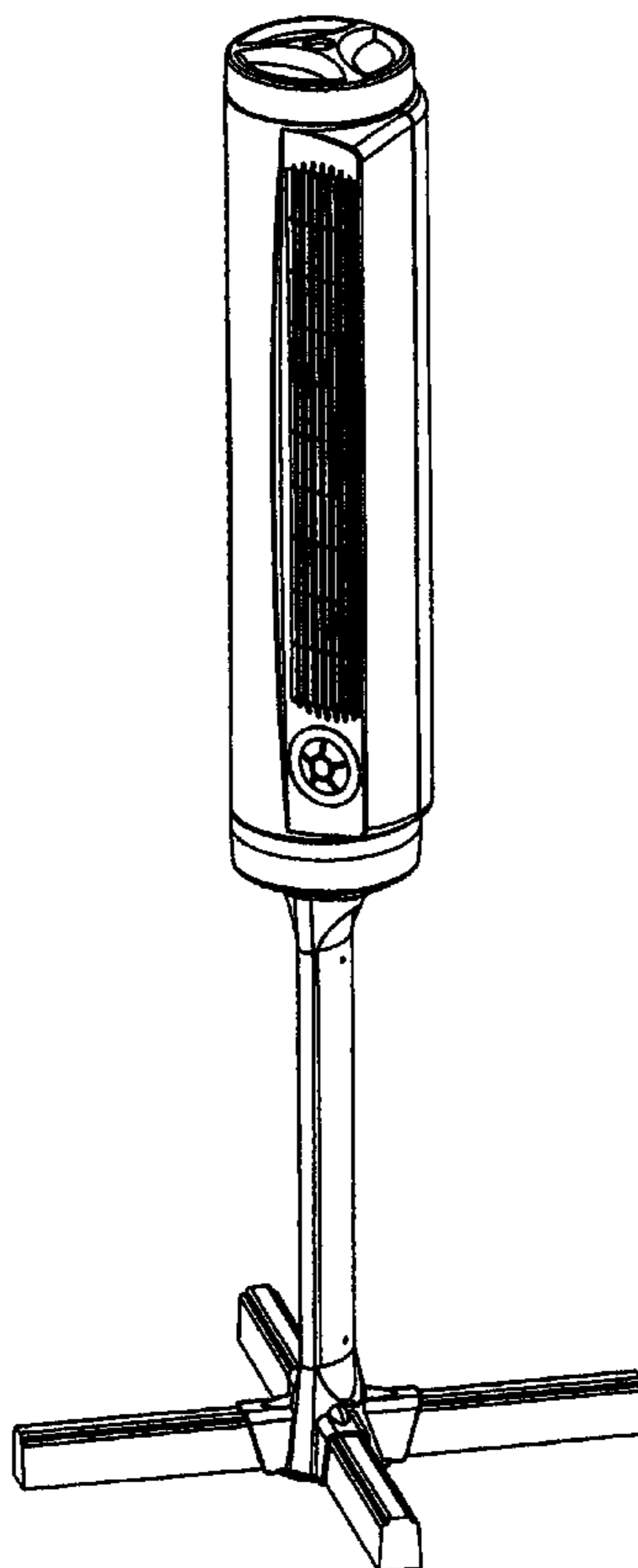
(57) **CLAIM**

The ornamental design for a fan with two operational configurations, as shown and described.

DESCRIPTION

FIG. 1 is a top, front perspective view of a fan with two operational configurations showing my new design, the fan being in its vertical operational configuration;
 FIG. 2 is a front elevational view thereof;
 FIG. 3 is a rear elevational view thereof;
 FIG. 4 is a top plan view thereof;
 FIG. 5 is a bottom plan view thereof;
 FIG. 6 is a right side elevational view thereof;
 FIG. 7 is a left side elevational view thereof;
 FIG. 8 is a left, front perspective view of the design of FIG. 1, the fan being in its horizontal operational configuration;
 FIG. 9 is a front elevational view of the design of FIG. 8;
 FIG. 10 is a rear elevational view of FIG. 8;
 FIG. 11 is a top plan view of FIG. 8;
 FIG. 12 is a bottom plan view of FIG. 8;
 FIG. 13 is a right side elevational view of FIG. 8;
 FIG. 14 is a left side elevational view of FIG. 8;
 FIG. 15 is an exploded view of the design of FIG. 1; and,
 FIG. 16 is an exploded view of the design of FIG. 8.

1 Claim, 12 Drawing Sheets



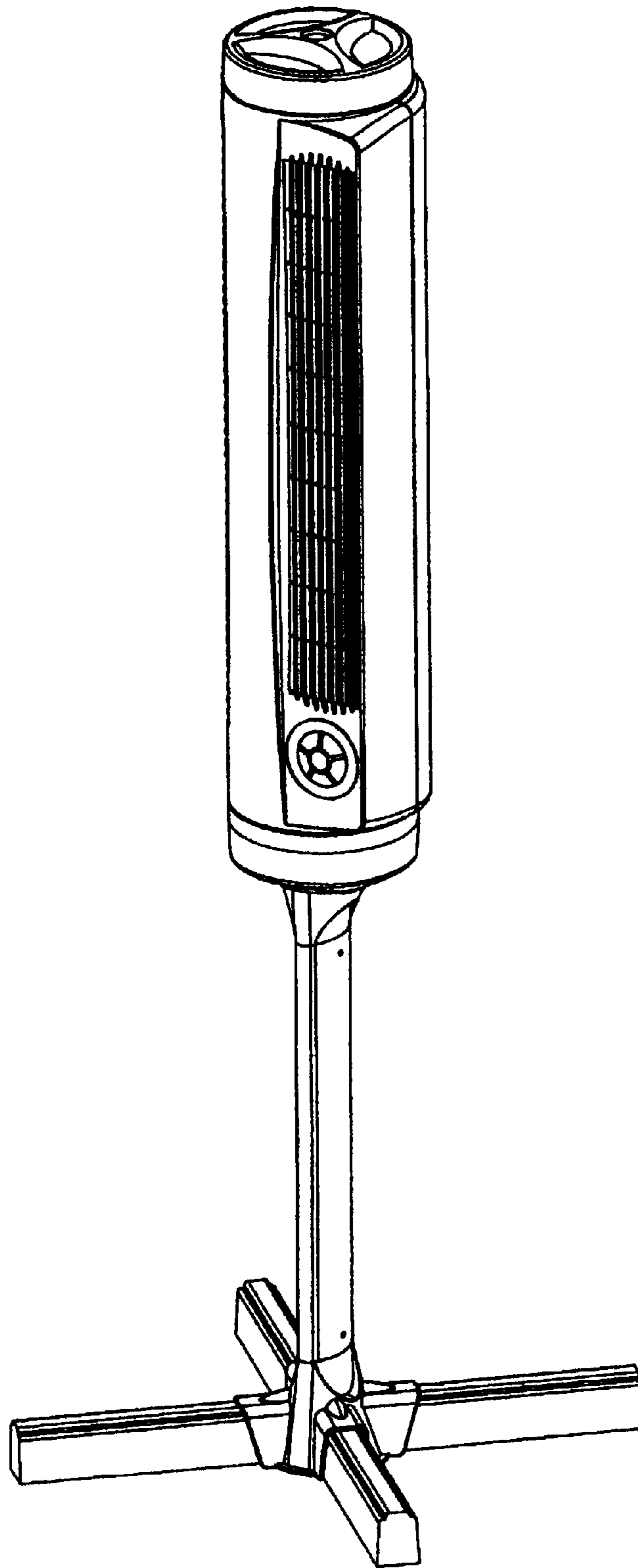


FIG. 1

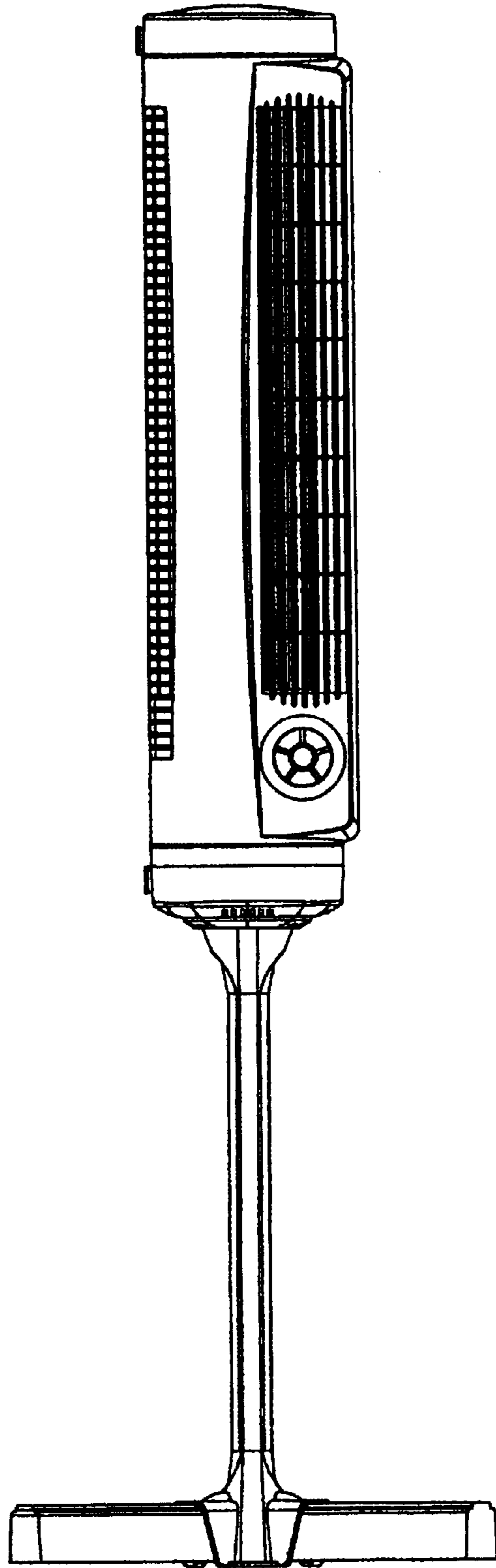


FIG. 2

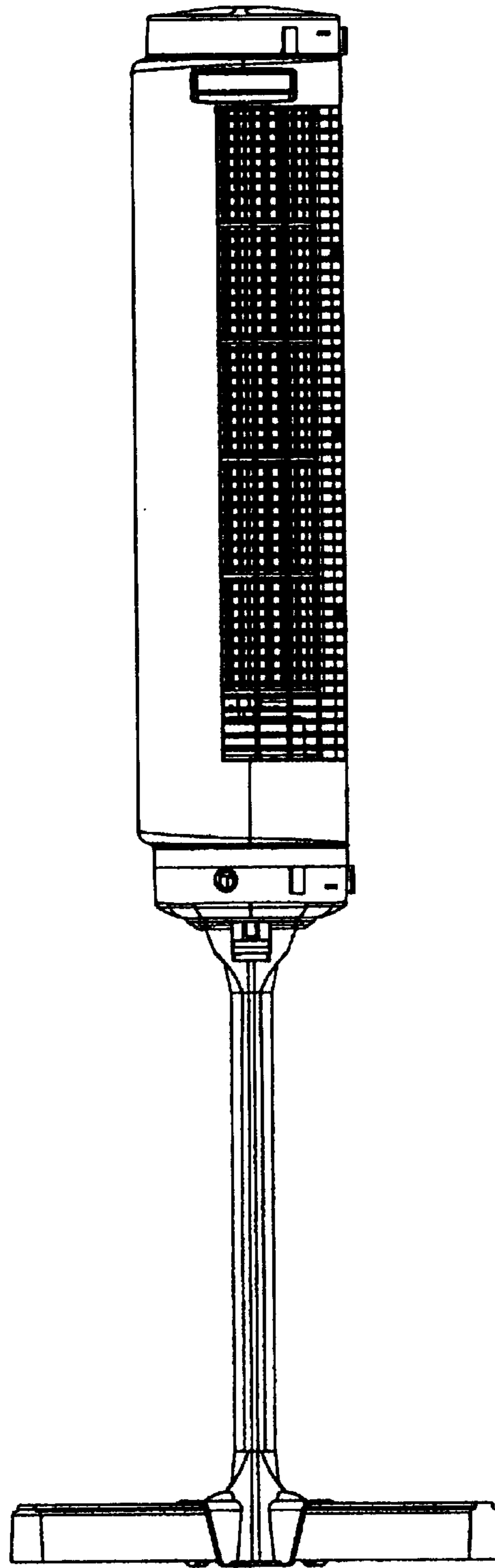


FIG. 3

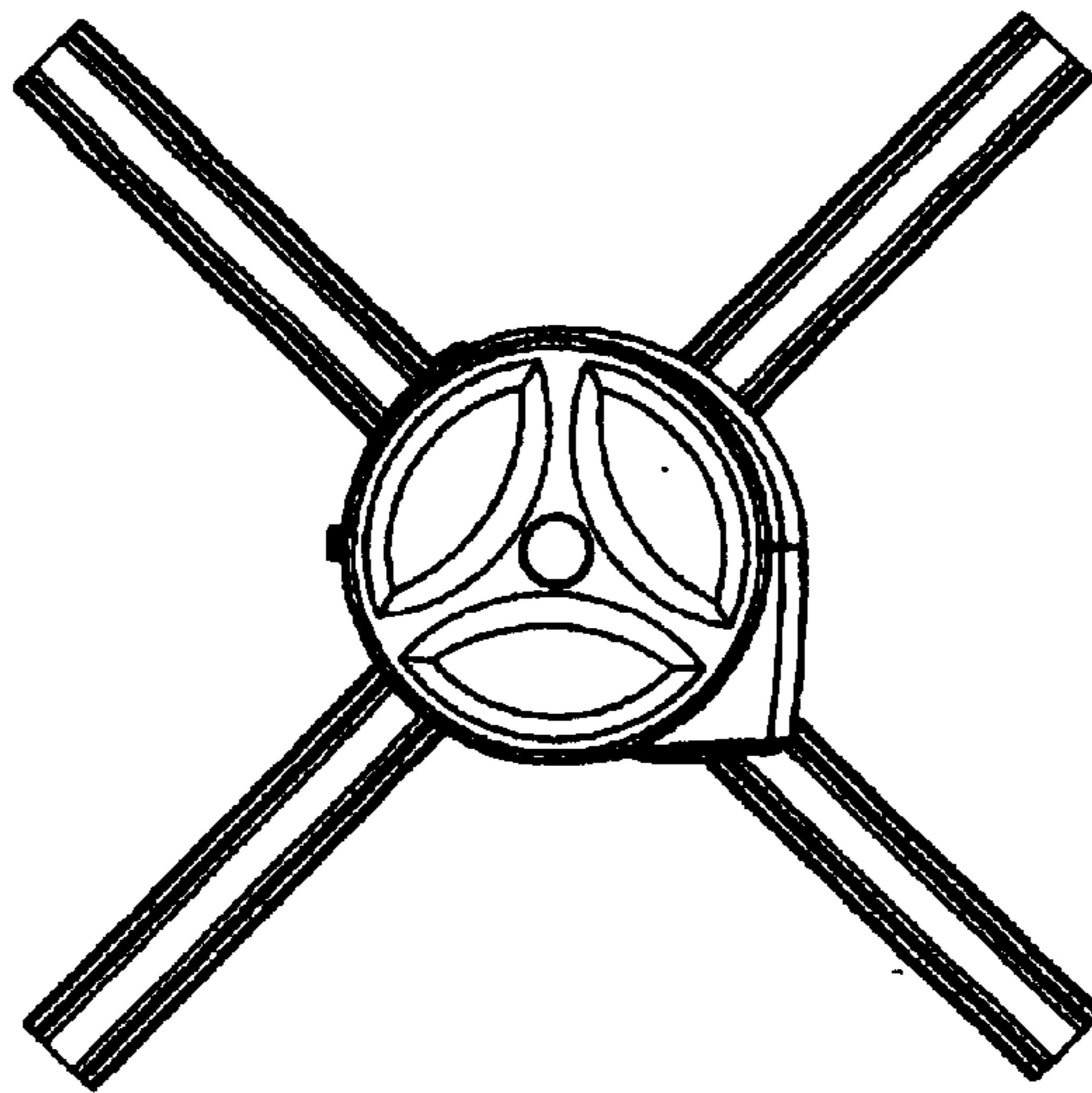


FIG. 4

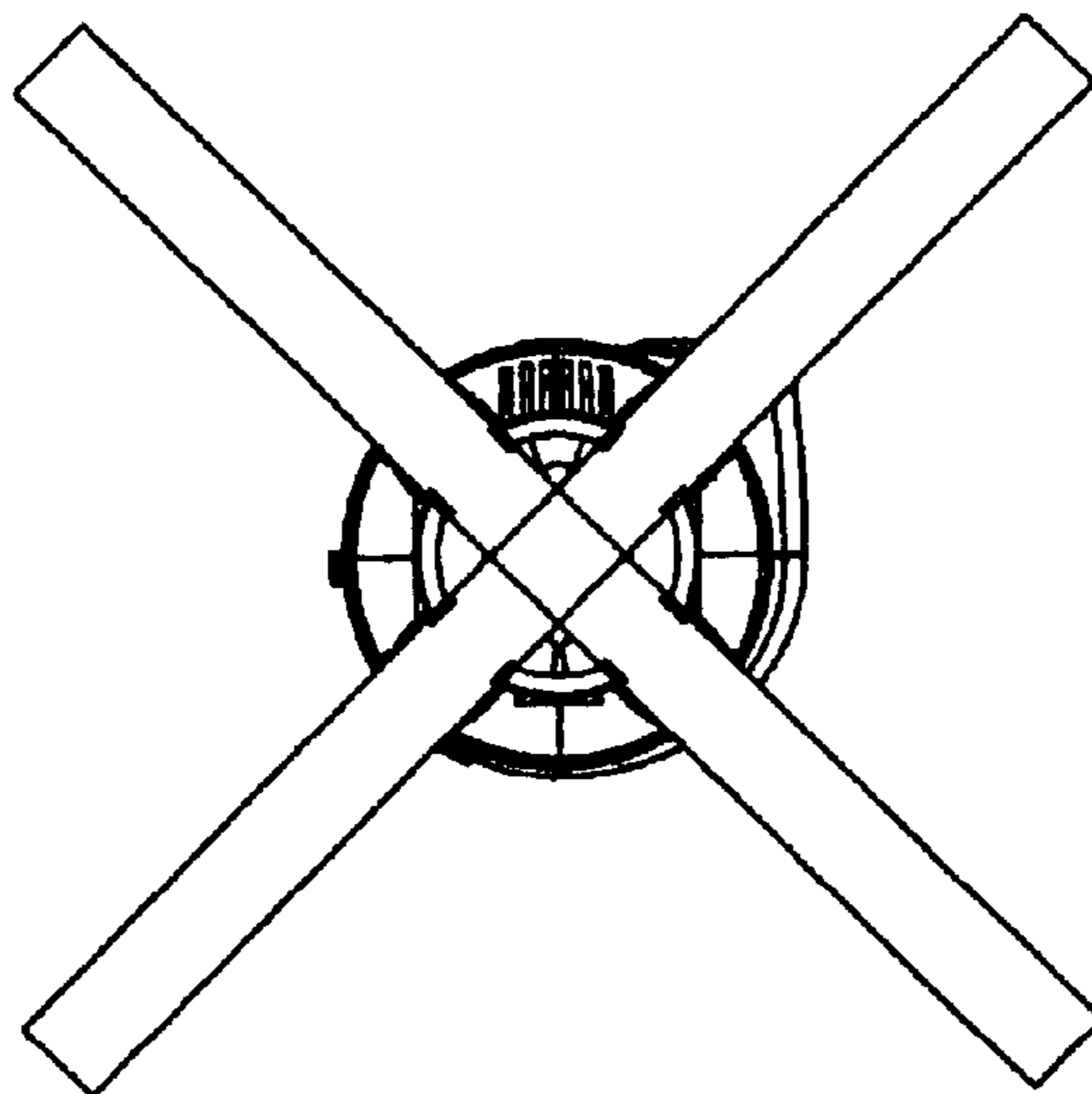


FIG. 5

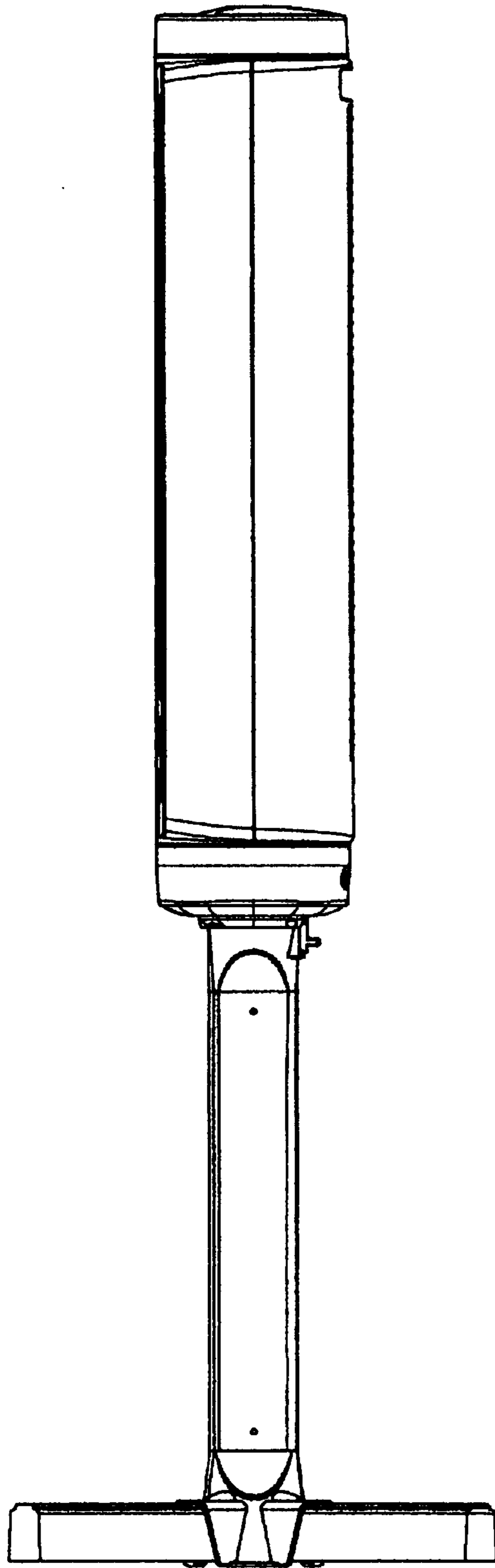


FIG. 6

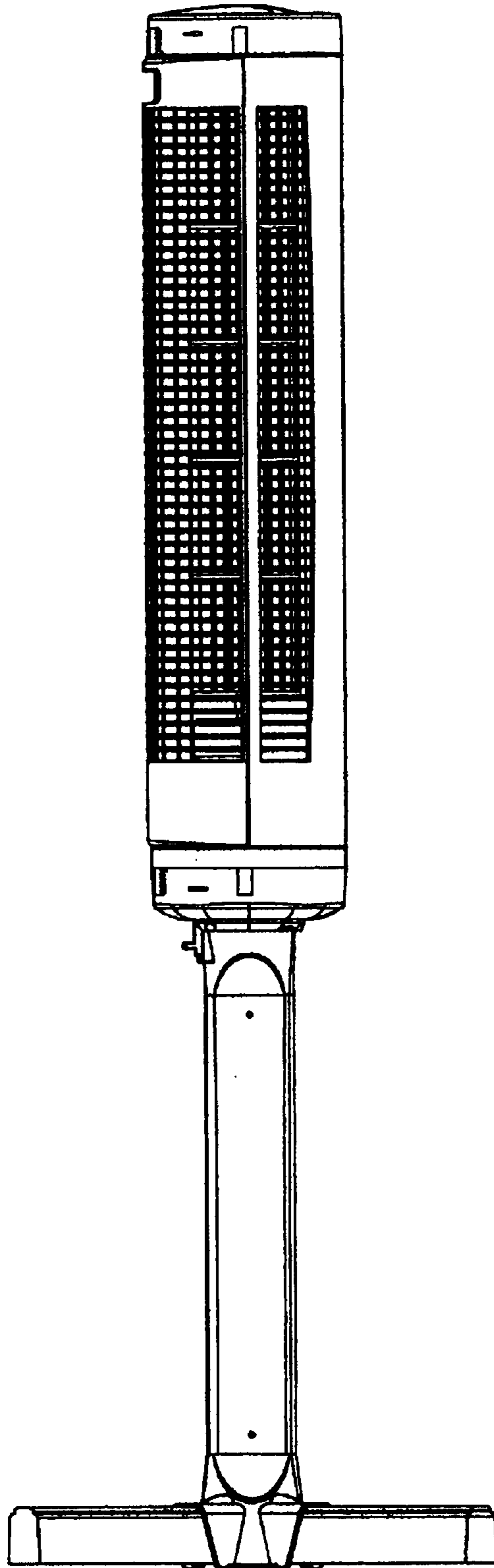


FIG. 7

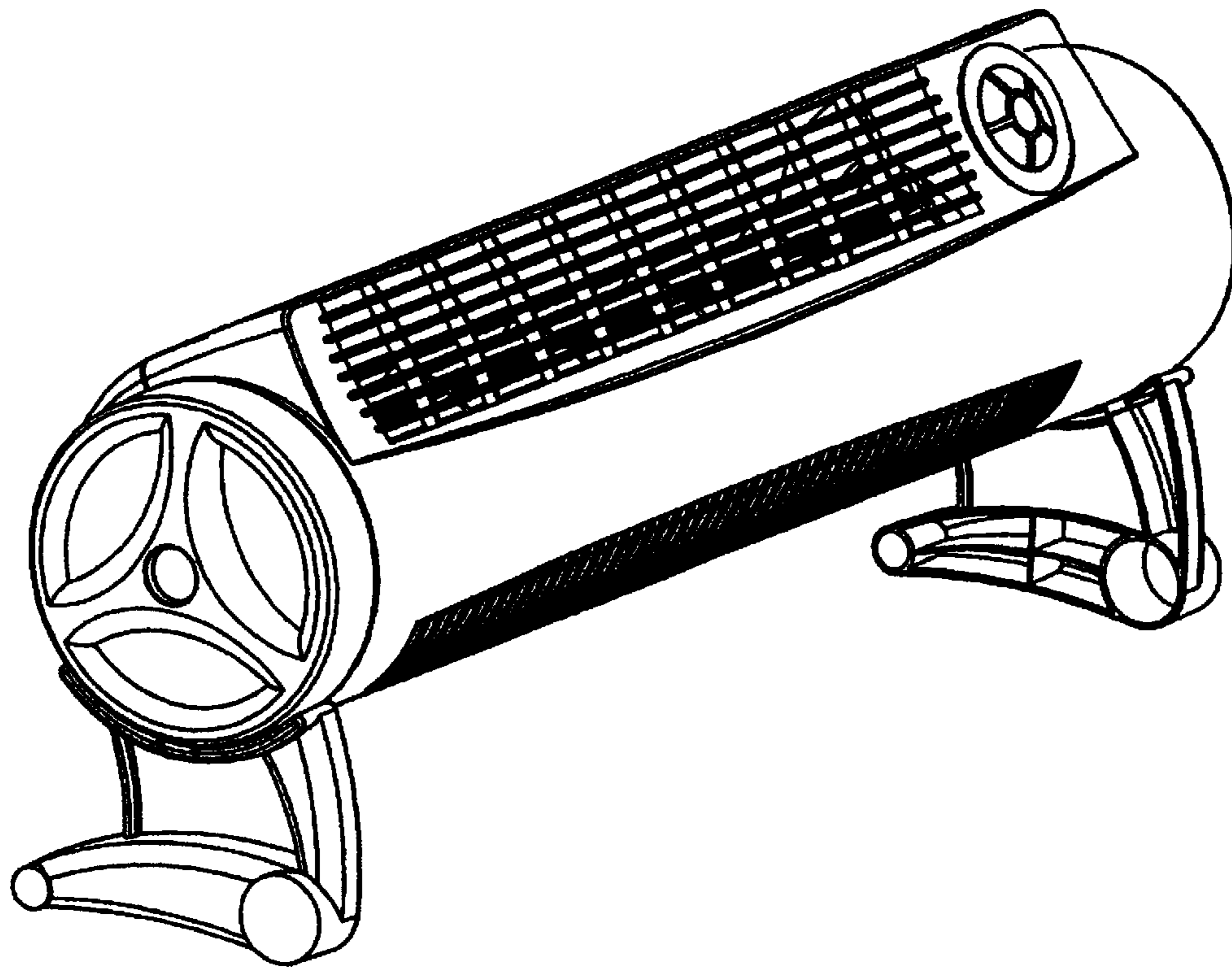


FIG. 8

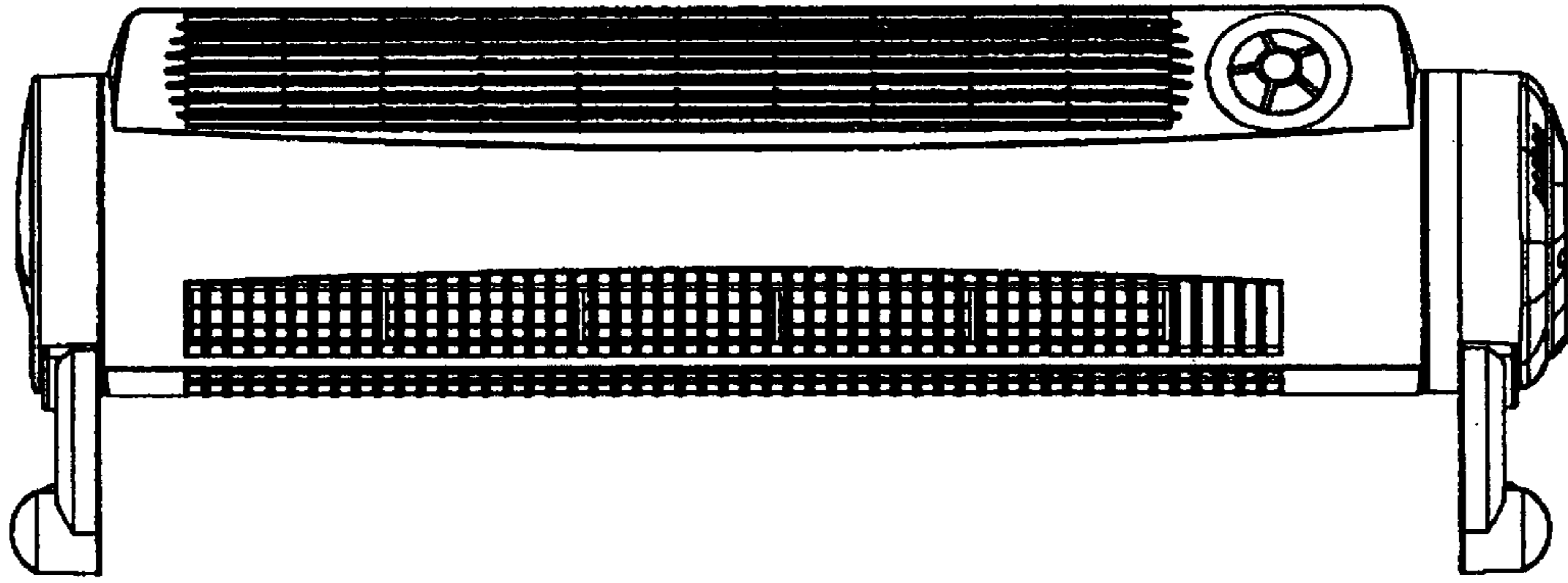


FIG. 9

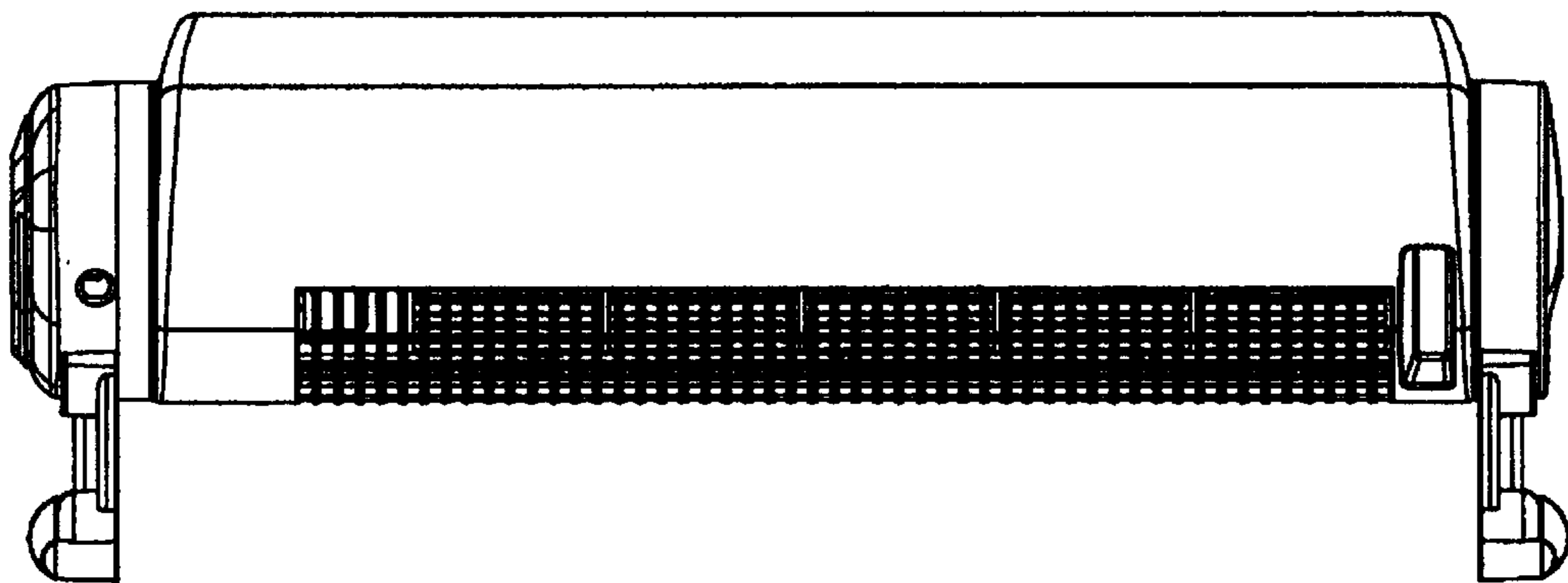


FIG. 10

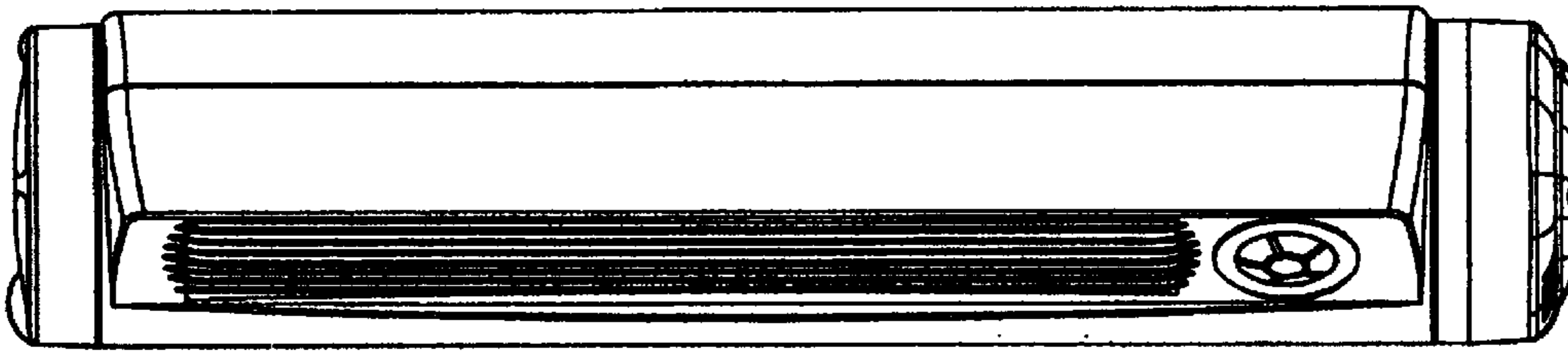


FIG. 11

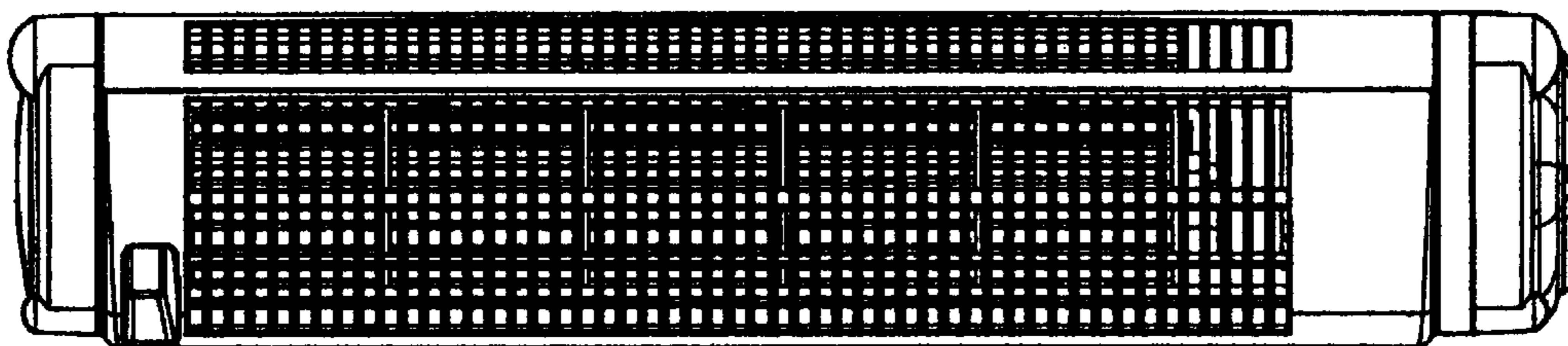


FIG. 12

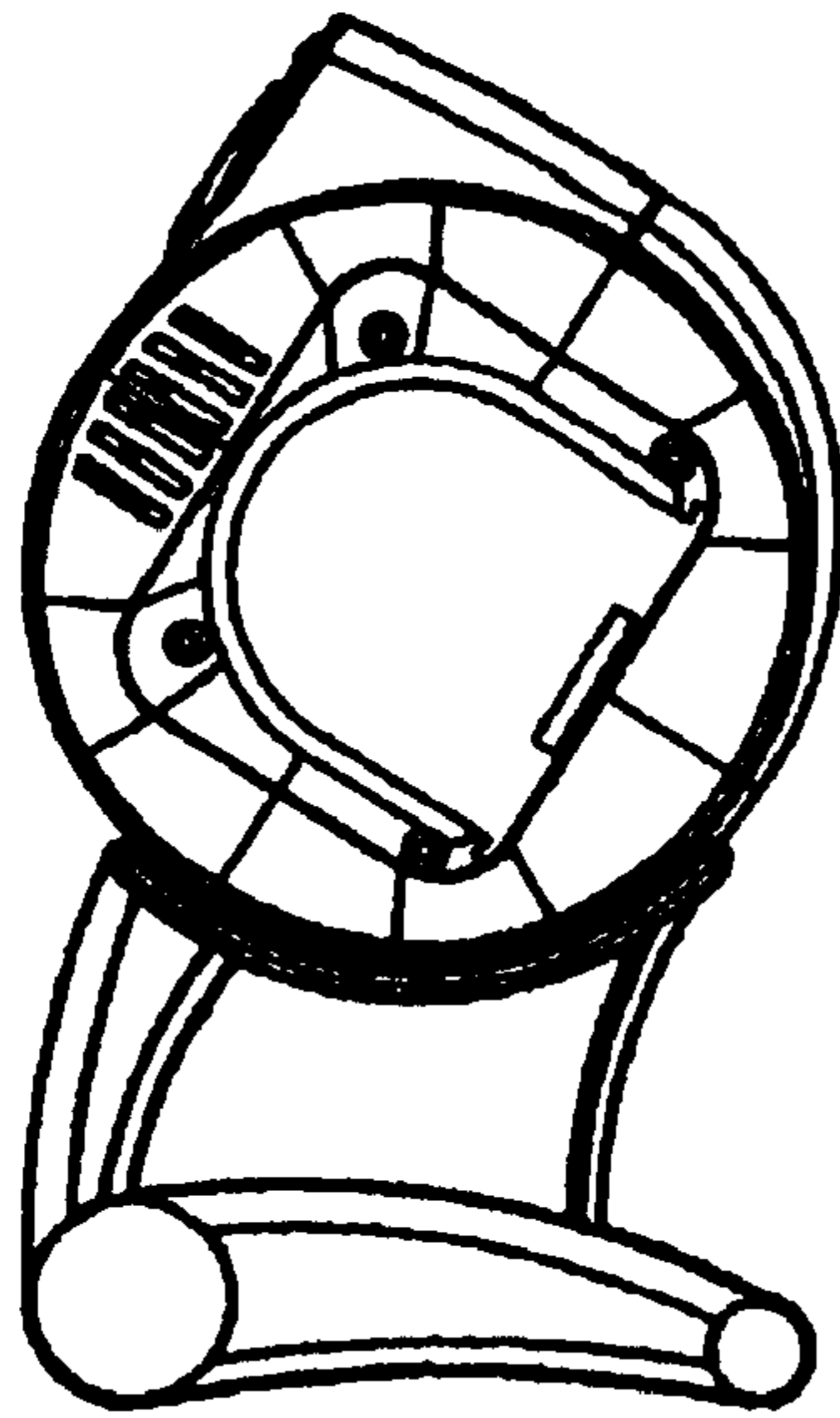


FIG. 13

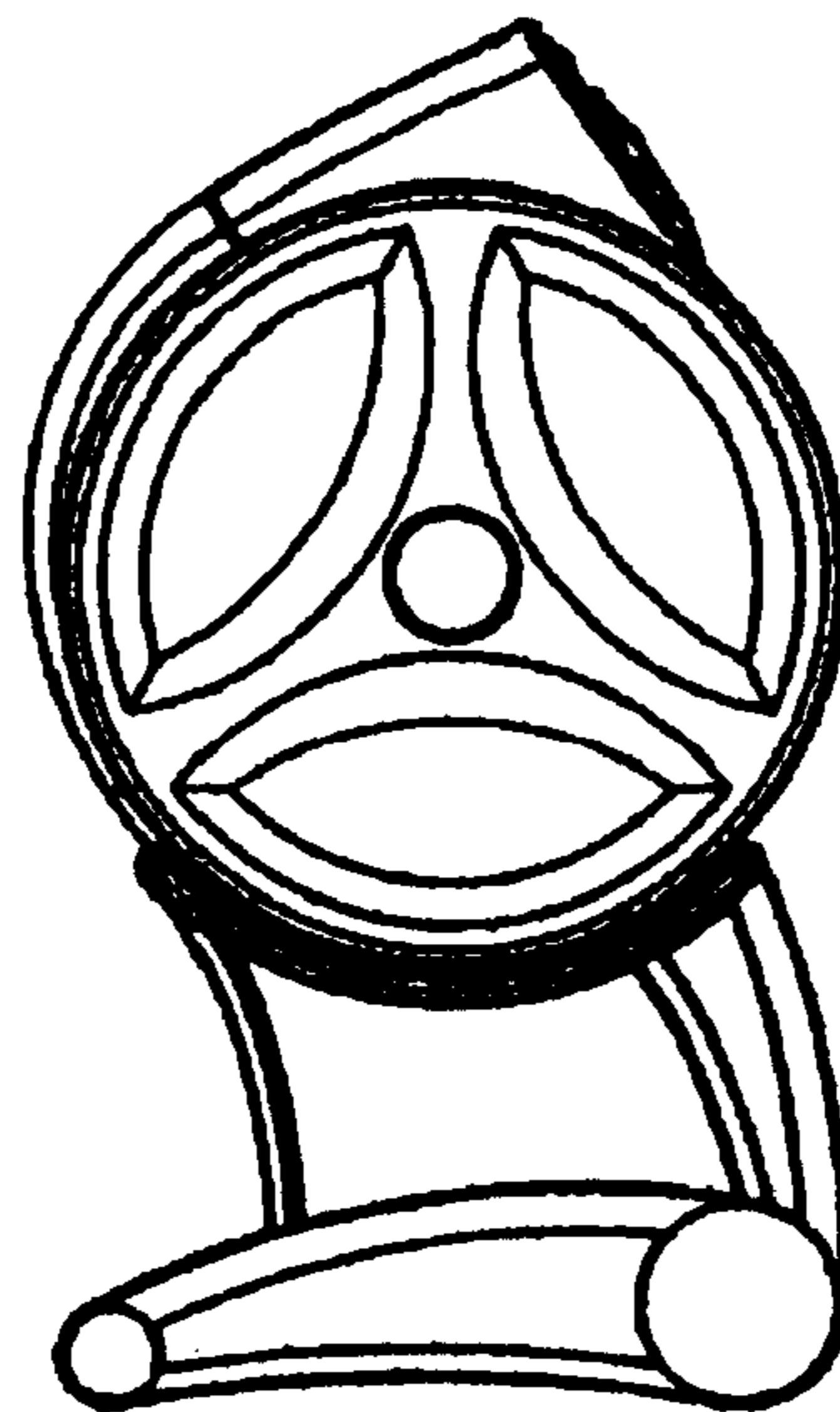


FIG. 14

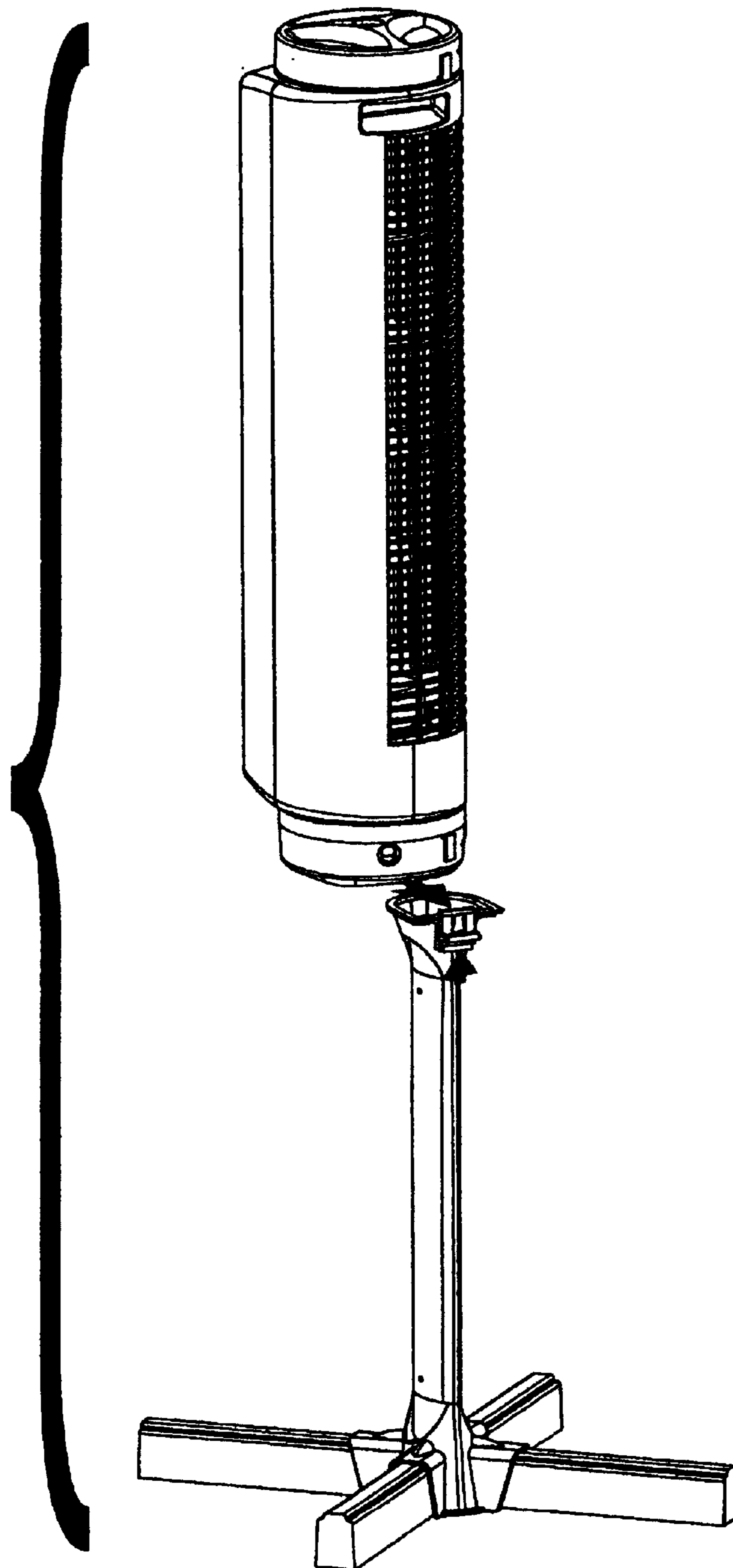


FIG. 15

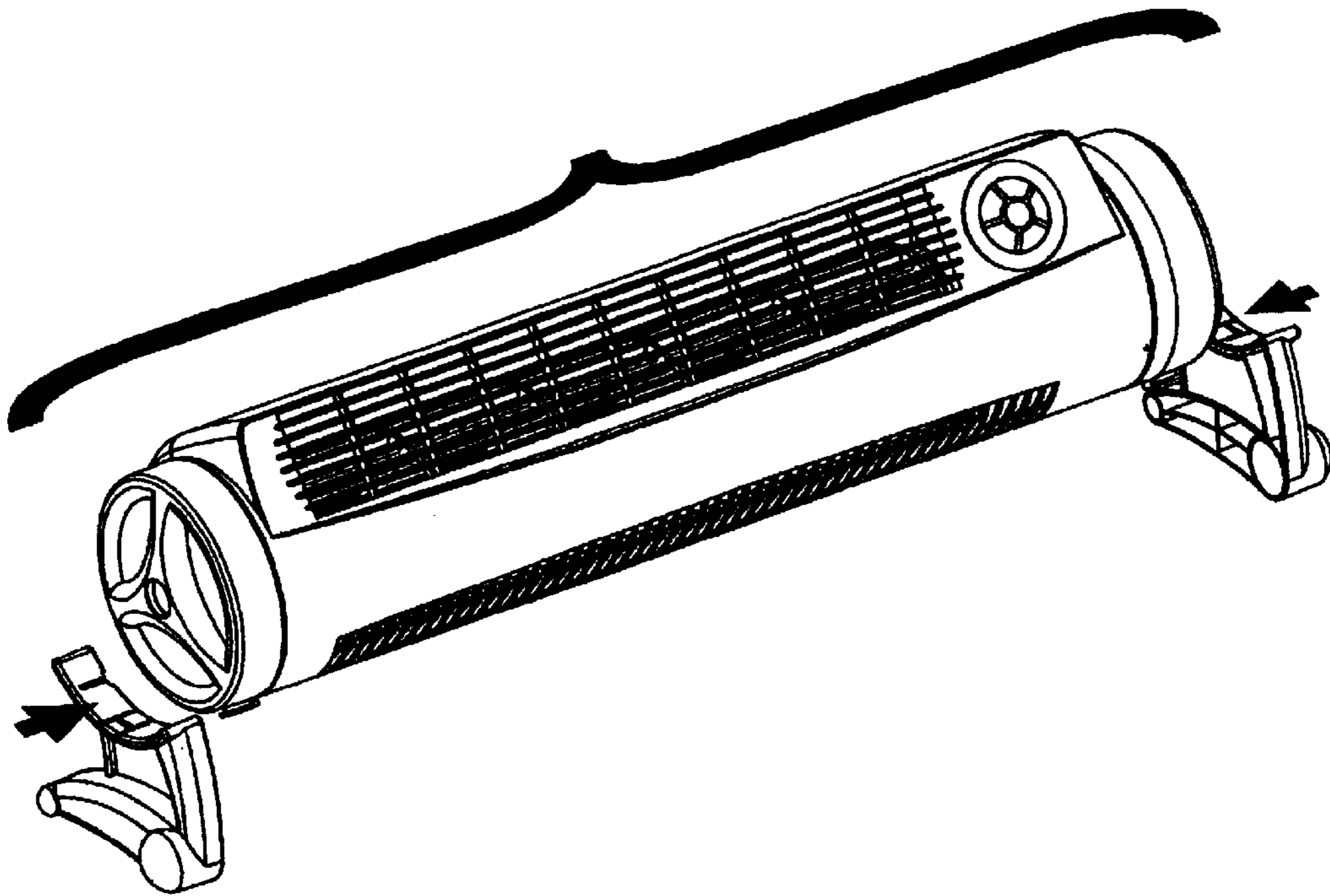


FIG. 16