

US00D548823S

(12) **United States Design Patent**
Matsumoto et al.

(10) **Patent No.:** **US D548,823 S**

(45) **Date of Patent:** **** Aug. 14, 2007**

(54) **DEHUMIDIFIER SEAL CARTRIDGE**

(75) Inventors: **Shin-ichiro Matsumoto**, Koga (JP);
Yuji Fujioka, Koga (JP); **Shin-ich**
Aramaki, Koga (JP)

(73) Assignee: **Seibu Giken Co. Ltd.**, Koga, Fukuoka
(JP)

(**) Term: **14 Years**

(21) Appl. No.: **29/194,207**

(22) Filed: **Nov. 20, 2003**

(30) **Foreign Application Priority Data**

Mar. 25, 2003 (JP) 2003-007939

(51) **LOC (8) Cl.** **23-04**

(52) **U.S. Cl.** **D23/363**

(58) **Field of Classification Search** D23/363,
D23/365, 366, 269, 358, 386, 354, 341, 356,
D23/359, 360, 364; 55/502, 506, 508, 501,
55/385.3, 523; 277/910, 569, 566, 543, 382,
277/371, 376, 641; 261/92; 96/384, 132;
123/41.15; 210/420; 417/423.14; 431/20
See application file for complete search history.

(56) **References Cited**

U.S. PATENT DOCUMENTS

3,895,083 A * 7/1975 Yeagle 261/92
3,898,063 A * 8/1975 Gazan 96/384
3,966,442 A * 6/1976 Waters 96/132
4,306,521 A * 12/1981 Giles 123/41.15

D274,462 S * 6/1984 Rakocy et al. D23/365
D292,308 S * 10/1987 Beltran D23/269
5,280,926 A * 1/1994 Sogge et al. 277/641
5,620,599 A * 4/1997 Hopkins et al. 210/420
5,833,441 A * 11/1998 Danish et al. 417/423.14
6,439,877 B1 * 8/2002 Weiss 431/20
6,863,706 B2 * 3/2005 Rothig 55/523
D517,673 S * 3/2006 Yamamoto et al. D23/366
2003/0182909 A1 * 10/2003 Gieseke et al. 55/385.3

* cited by examiner

Primary Examiner—Louis Zarfaz

Assistant Examiner—David G. Muller

(74) *Attorney, Agent, or Firm*—John V. Stewart

(57) **CLAIM**

We claim the ornamental design for a dehumidifier seal cartridge, as shown.

DESCRIPTION

FIG. 1 is a front upper perspective view of a dehumidifier seal cartridge according to the invention;

FIG. 2 is a front lower perspective view;

FIG. 3 is a back upper perspective view;

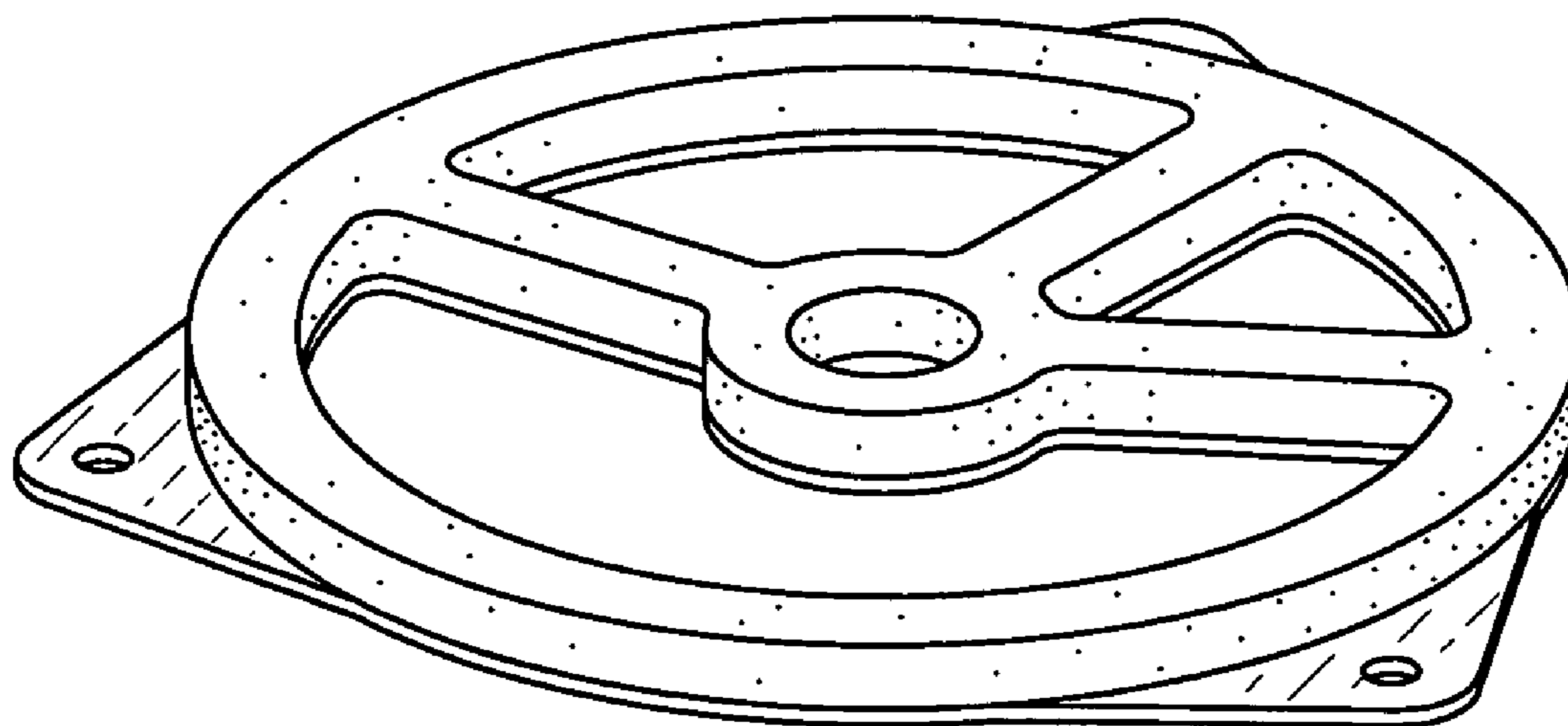
FIG. 4 is a back lower perspective view;

FIG. 5 is a top view;

FIG. 6 is a bottom view; and,

FIG. 7 is a left side view. The right side view is a laterally mirrored image.

1 Claim, 2 Drawing Sheets



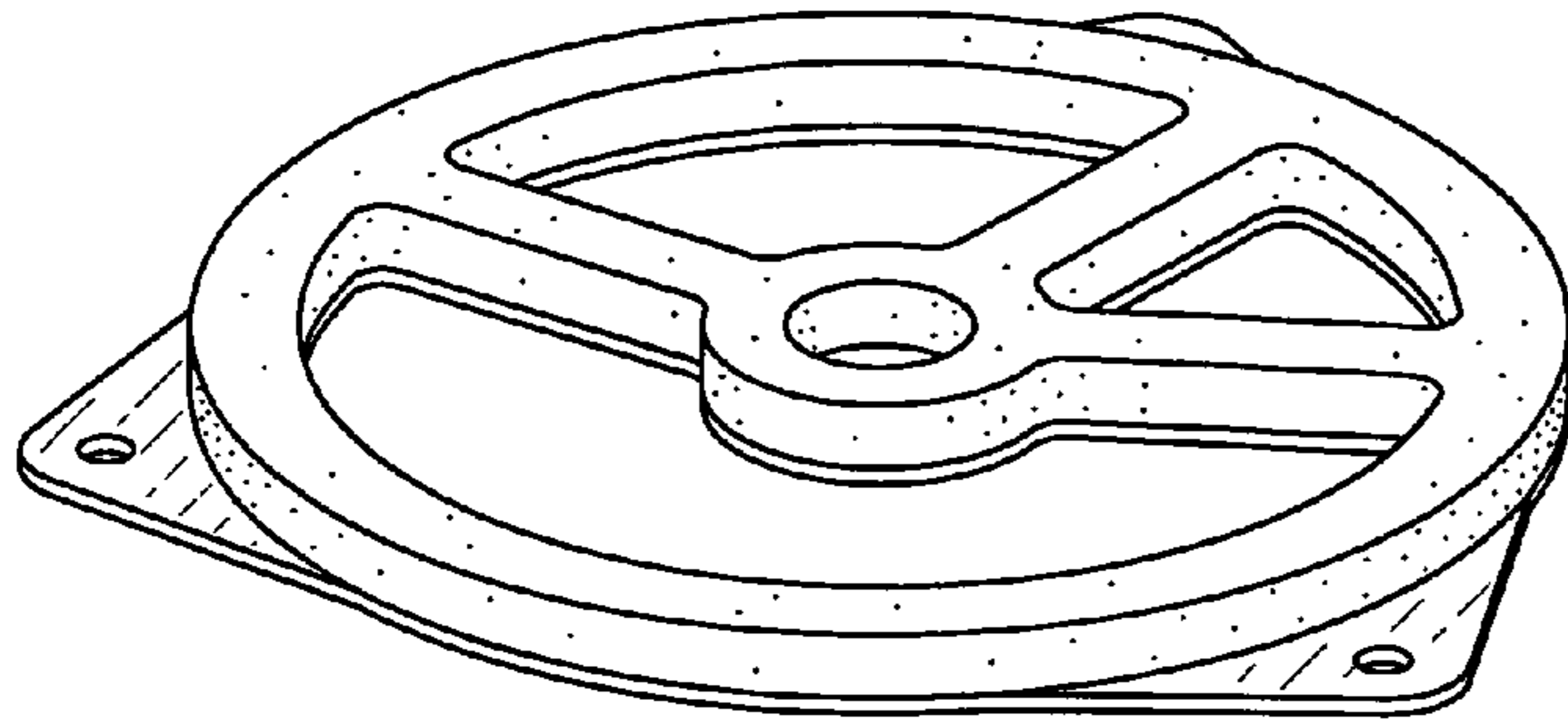


FIG 1

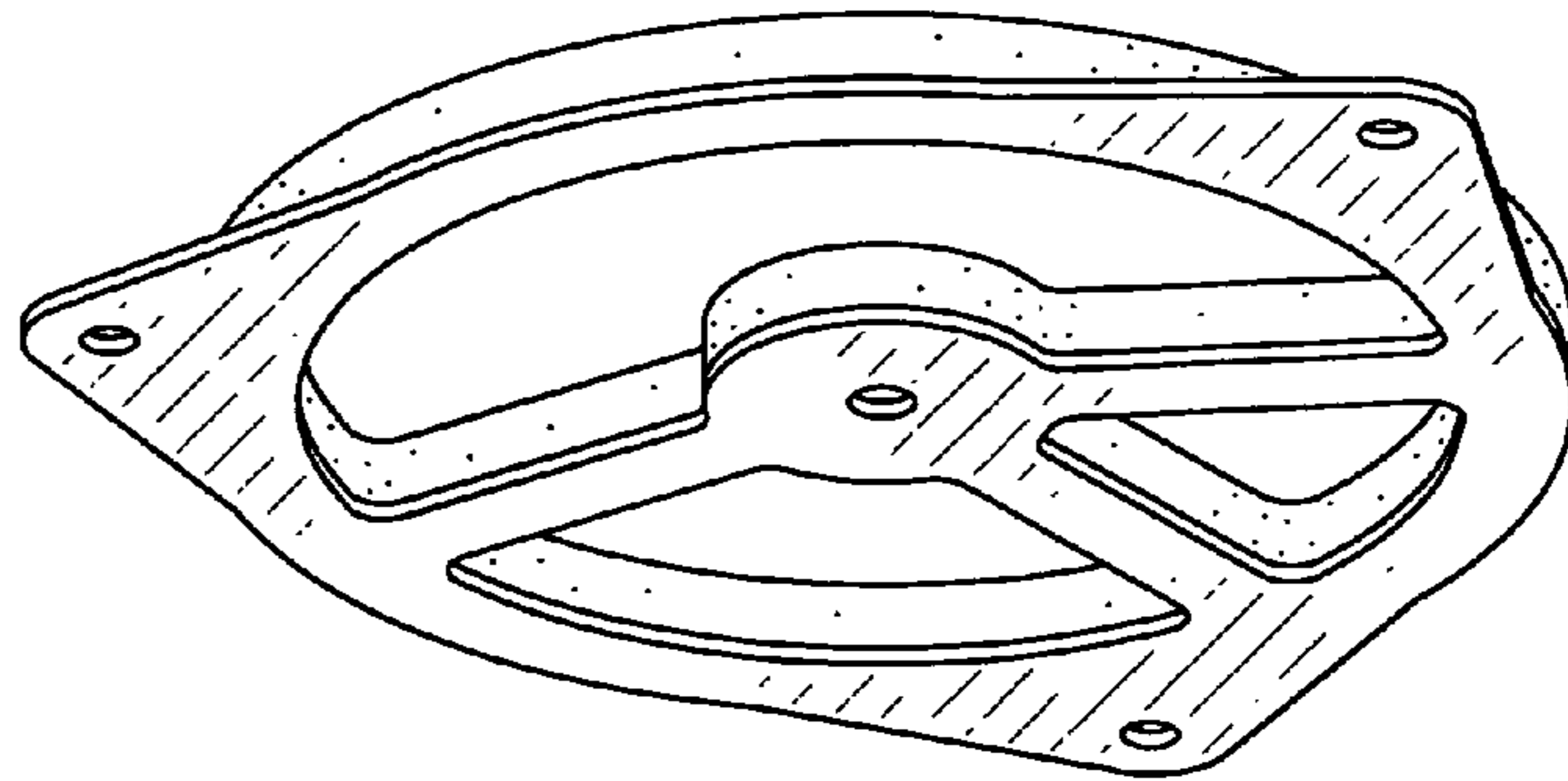


FIG 2

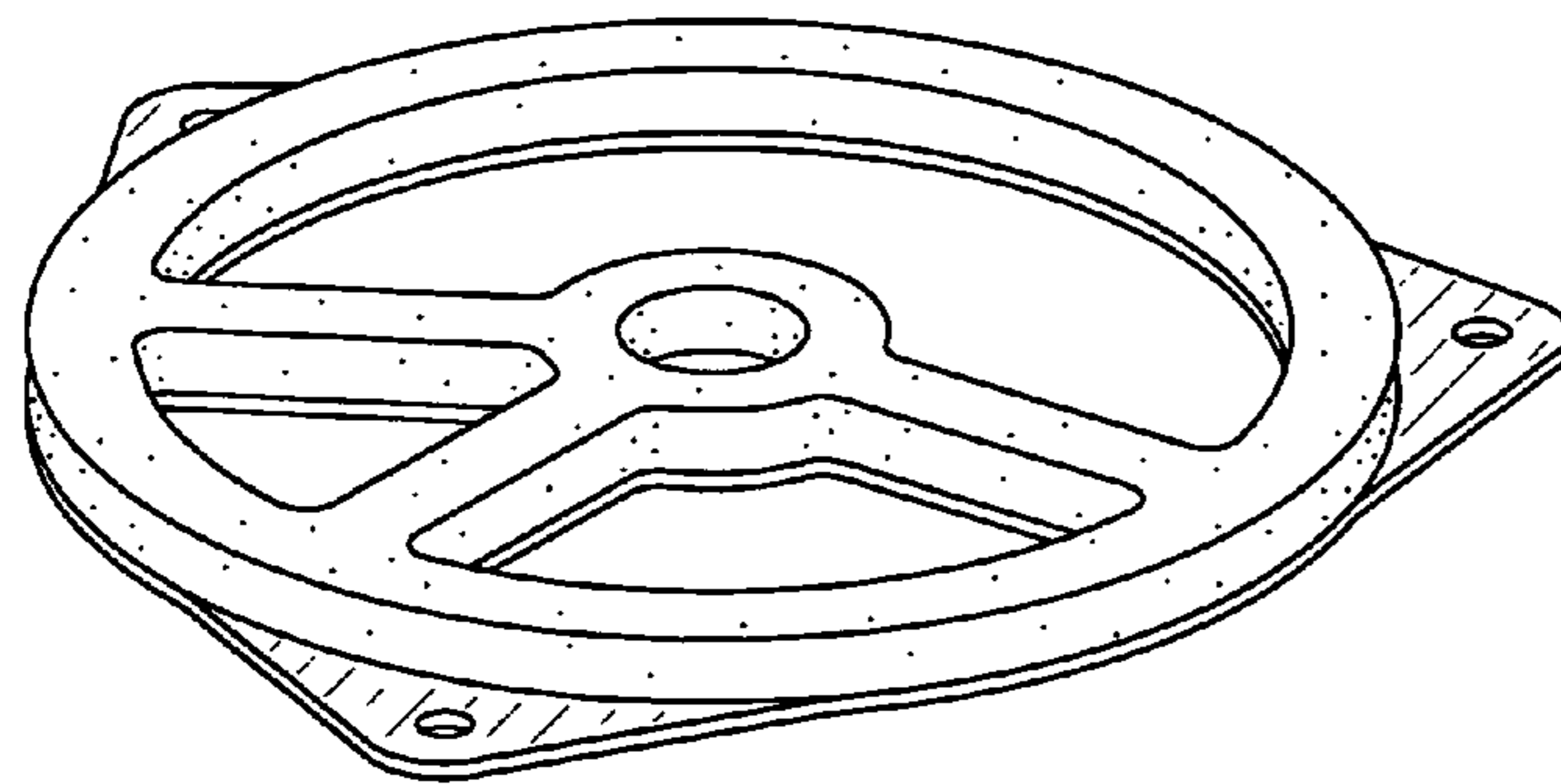


FIG 3

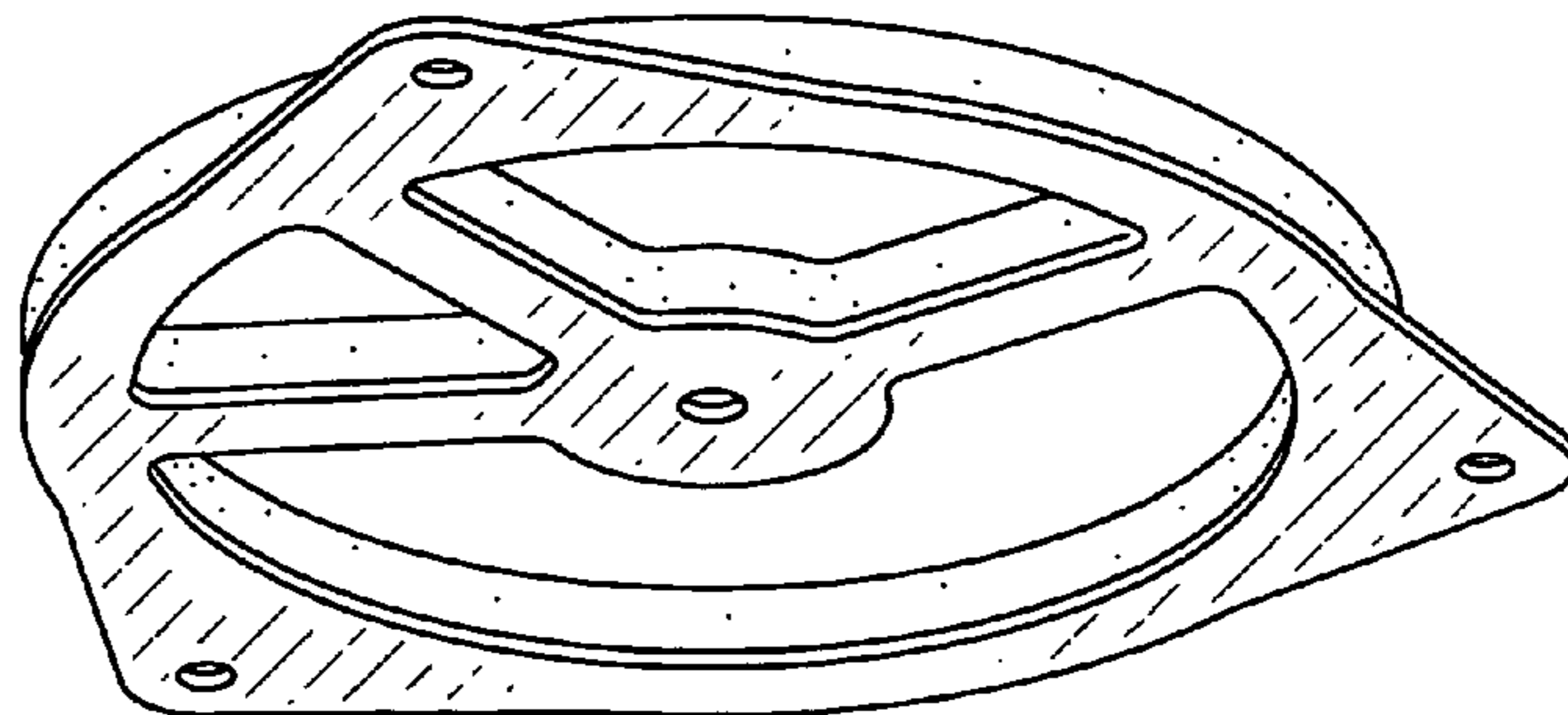


FIG 4

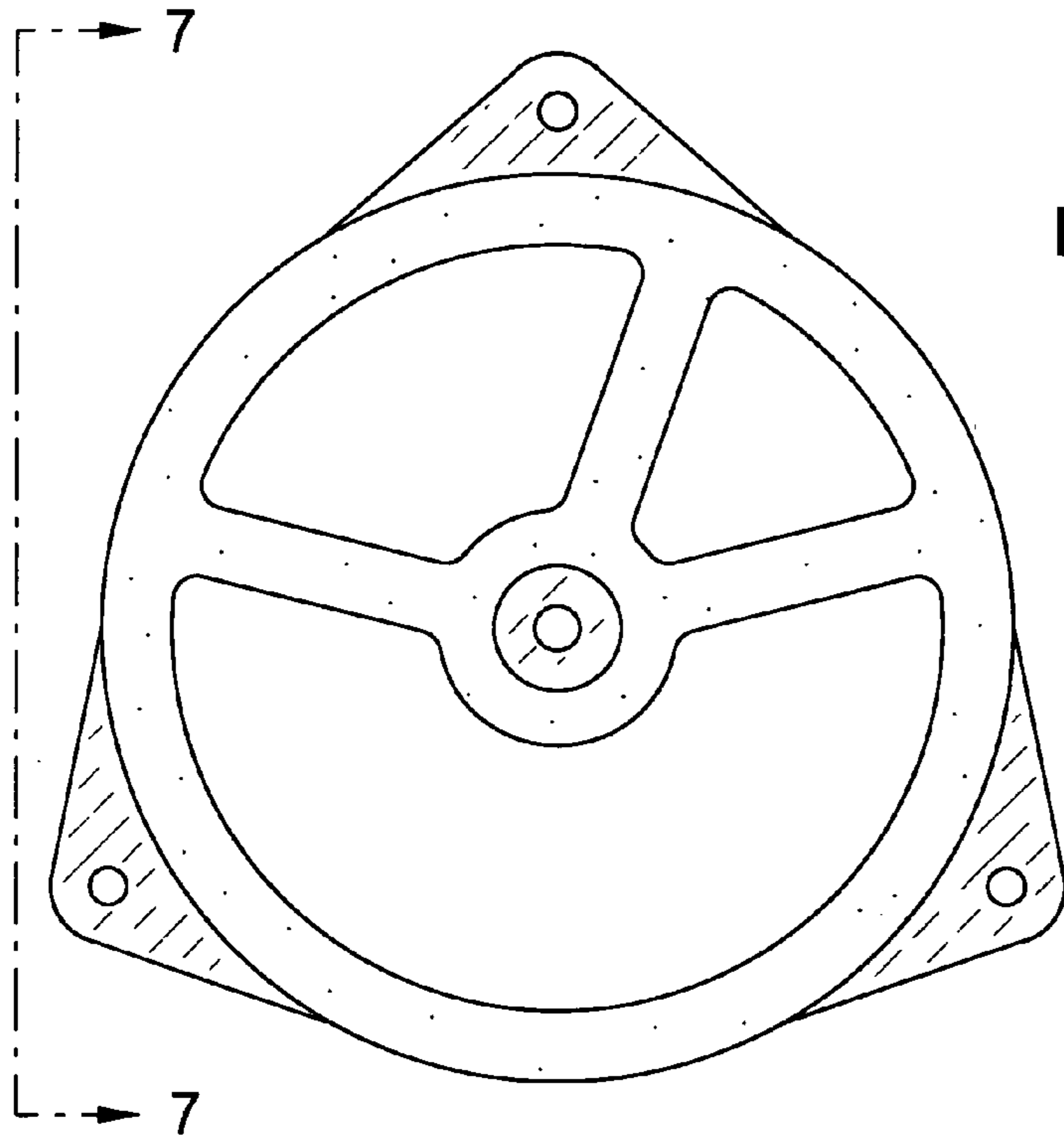


FIG 5

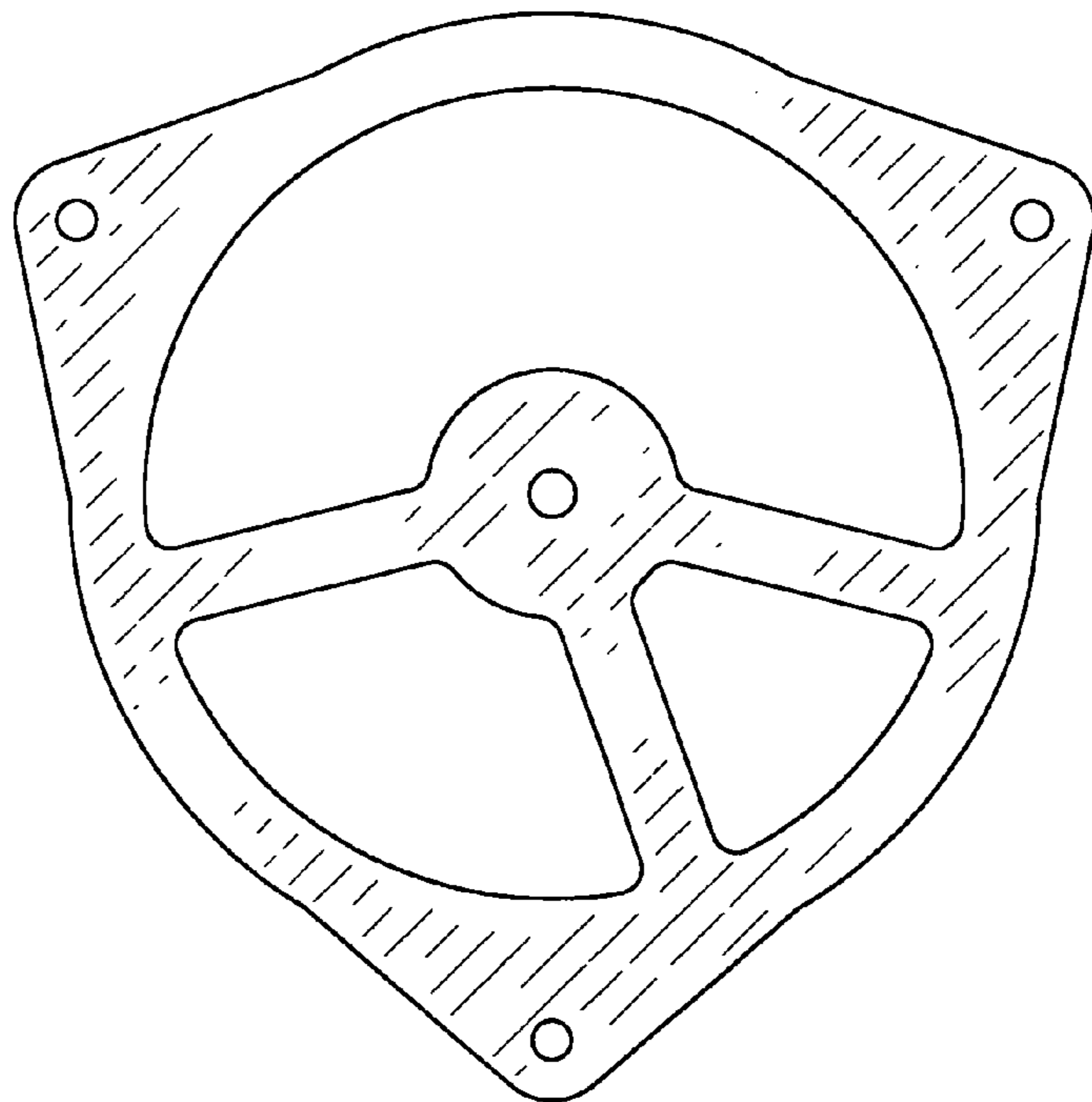


FIG 6

FIG 7

