



US00D548820S

(12) **United States Design Patent**  
**Cummings**

(10) **Patent No.:** **US D548,820 S**

(45) **Date of Patent:** **\*\* Aug. 14, 2007**

(54) **WATERLESS URINAL**

D396,095 S \* 7/1998 Tilton et al. .... D23/302  
5,920,920 A \* 7/1999 Chi ..... 4/437

(75) Inventor: **Stephen John Cummings**, Newport (AU)

(73) Assignee: **Caroma Industries Limited**, Brisbane, Queensland (AU)

\* cited by examiner

(\*\*) Term: **14 Years**

*Primary Examiner*—Robert A. Delehanty  
(74) *Attorney, Agent, or Firm*—Merchant & Gould P.C.

(21) Appl. No.: **29/229,954**

(57) **CLAIM**

(22) Filed: **May 13, 2005**

The ornamental design for a waterless urinal, as shown and described.

(30) **Foreign Application Priority Data**

Nov. 15, 2004 (AU) ..... 15286/2004

**DESCRIPTION**

(51) **LOC (8) Cl.** ..... **23-02**

(52) **U.S. Cl.** ..... **D23/302**

(58) **Field of Classification Search** ..... D23/274,  
D23/302, 303, 309; 4/664, 301-310, 454,  
4/462, 144.1-144.4; D24/122

See application file for complete search history.

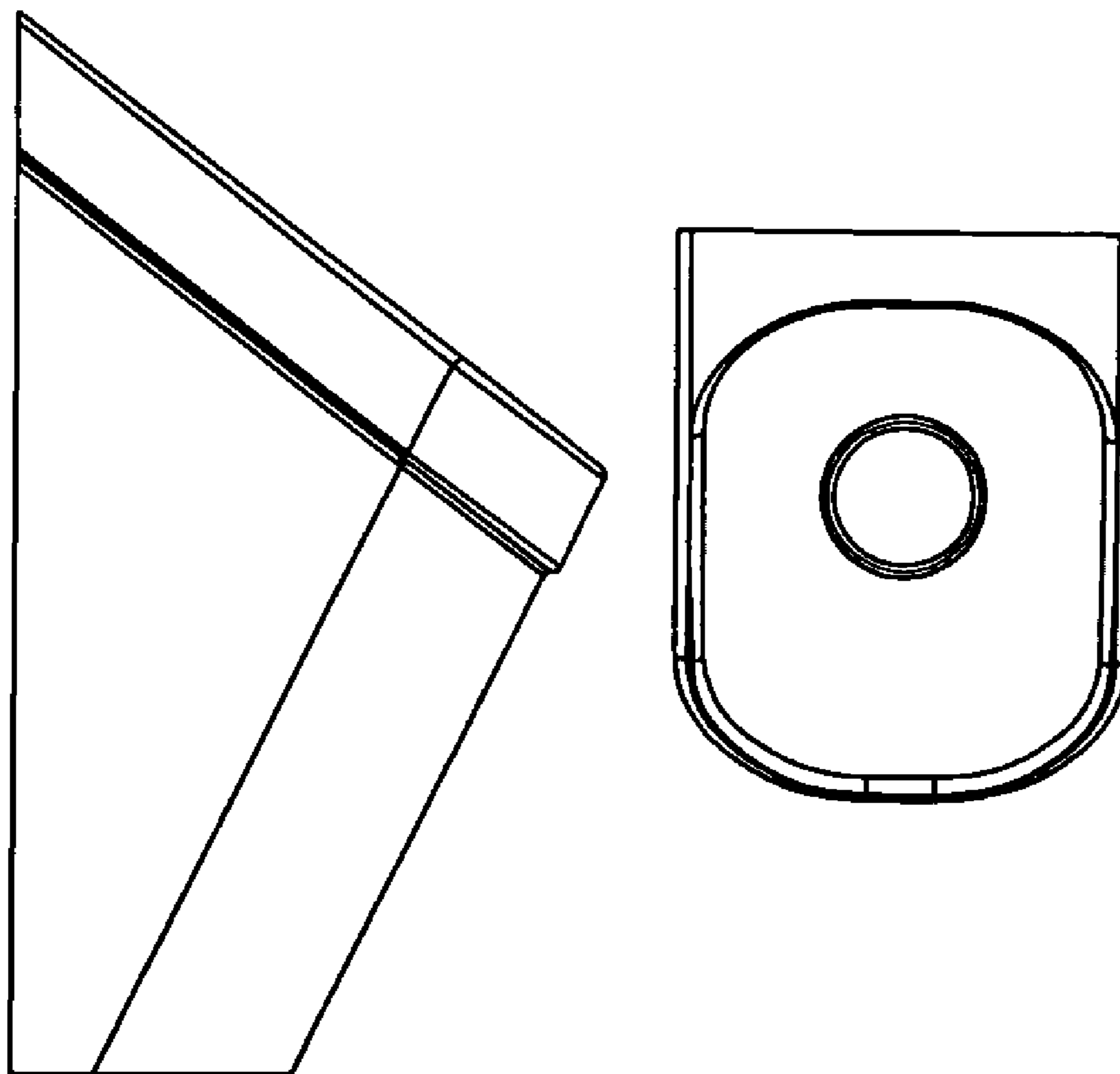
FIG. 1. is a Left Hand Side View showing my new design;  
FIG. 2. is a Top View thereof;  
FIG. 3. is a Front View thereof;  
FIG. 4. is a Bottom View thereof;  
FIG. 5. is Right Hand Side view; and,  
FIG. 6. is a Rear View.

(56) **References Cited**

**U.S. PATENT DOCUMENTS**

D352,349 S \* 11/1994 Kergoet et al. .... D23/302

**1 Claim, 1 Drawing Sheet**



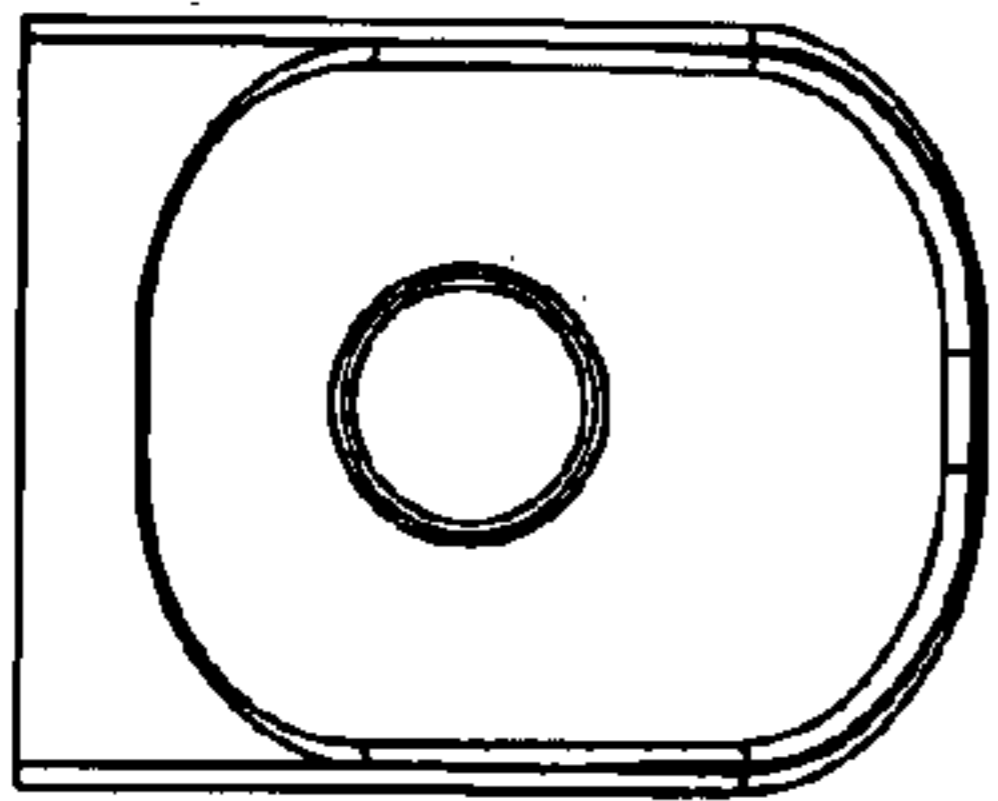


FIG. 2

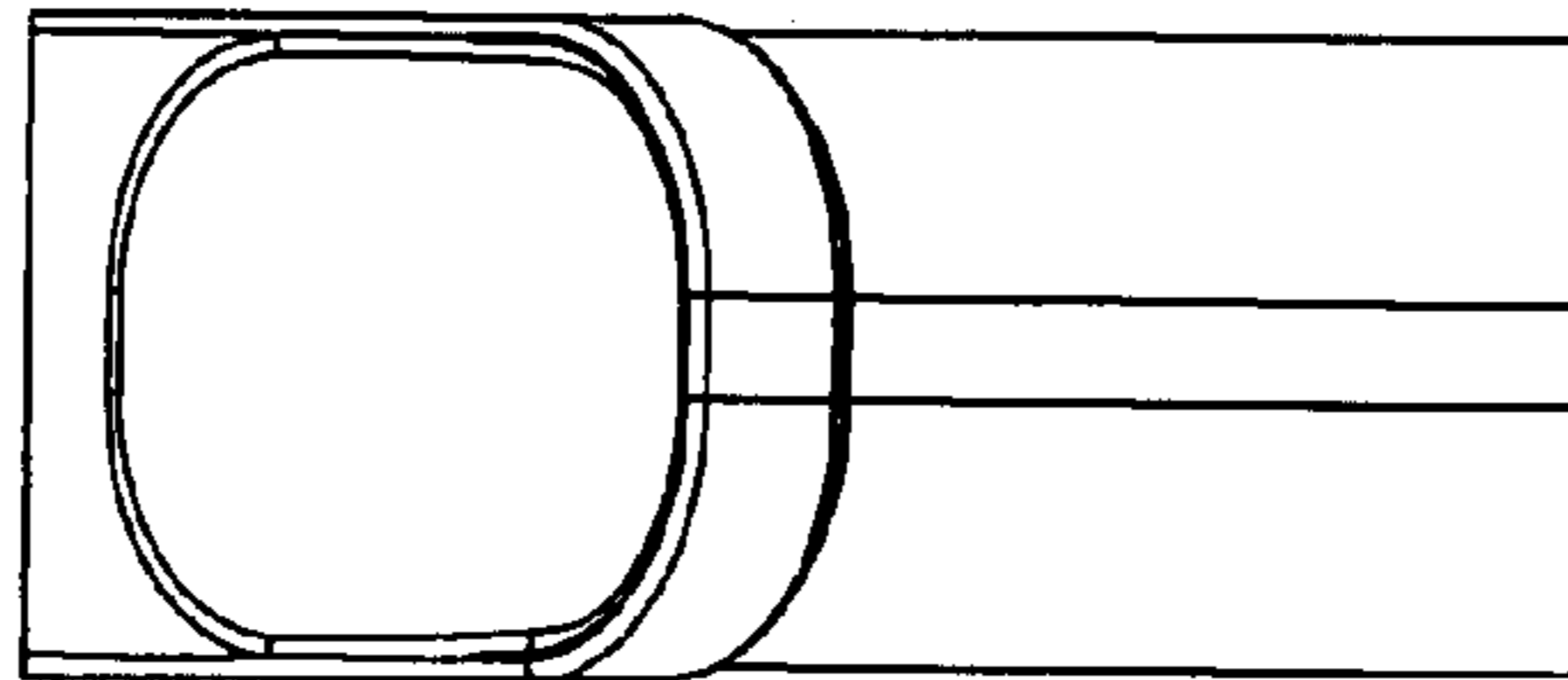


FIG. 3

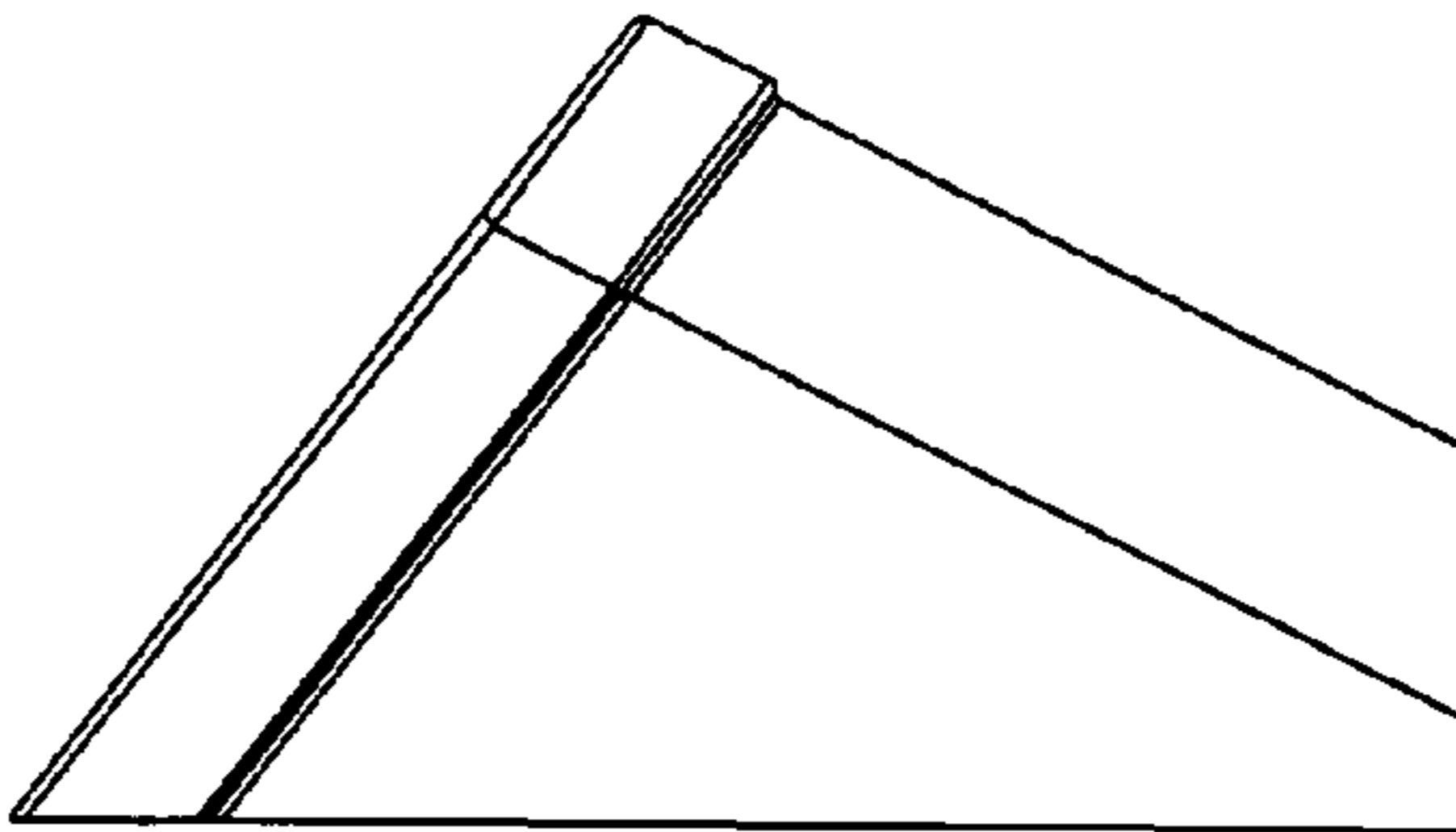


FIG. 1

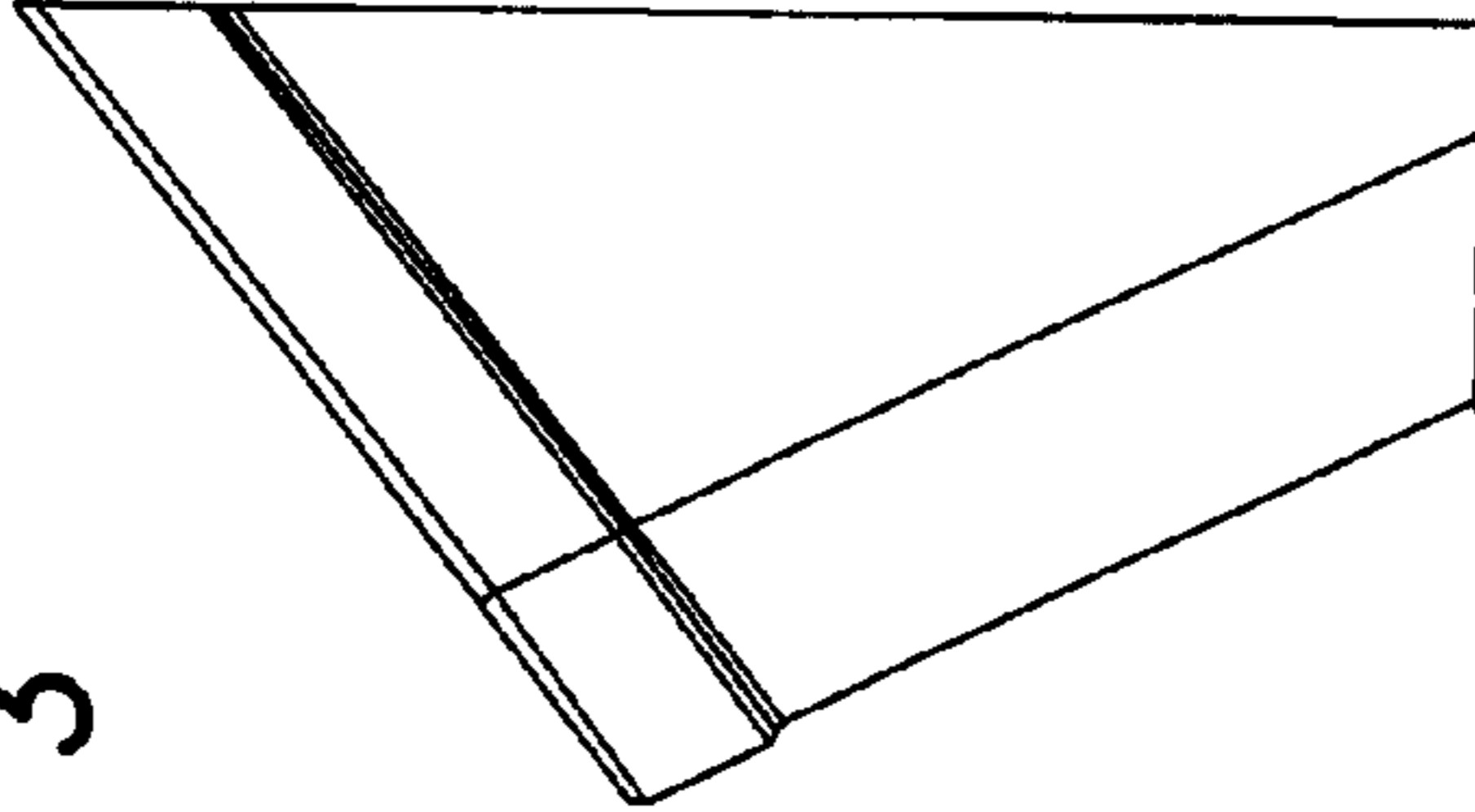


FIG. 5

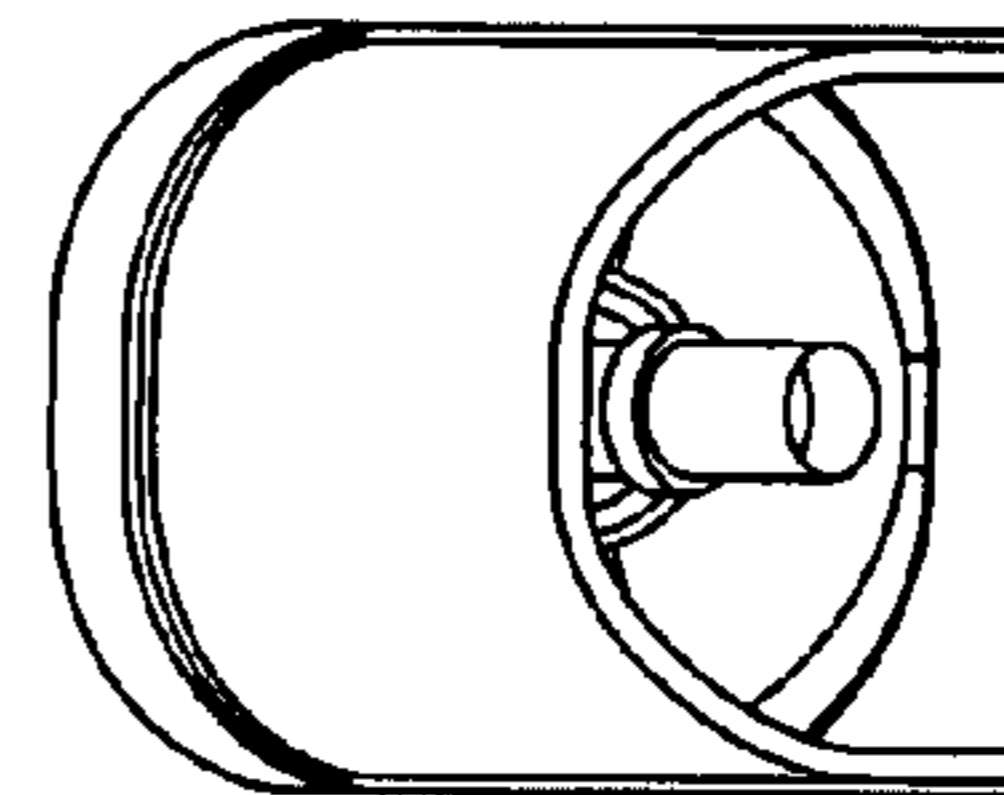


FIG. 4

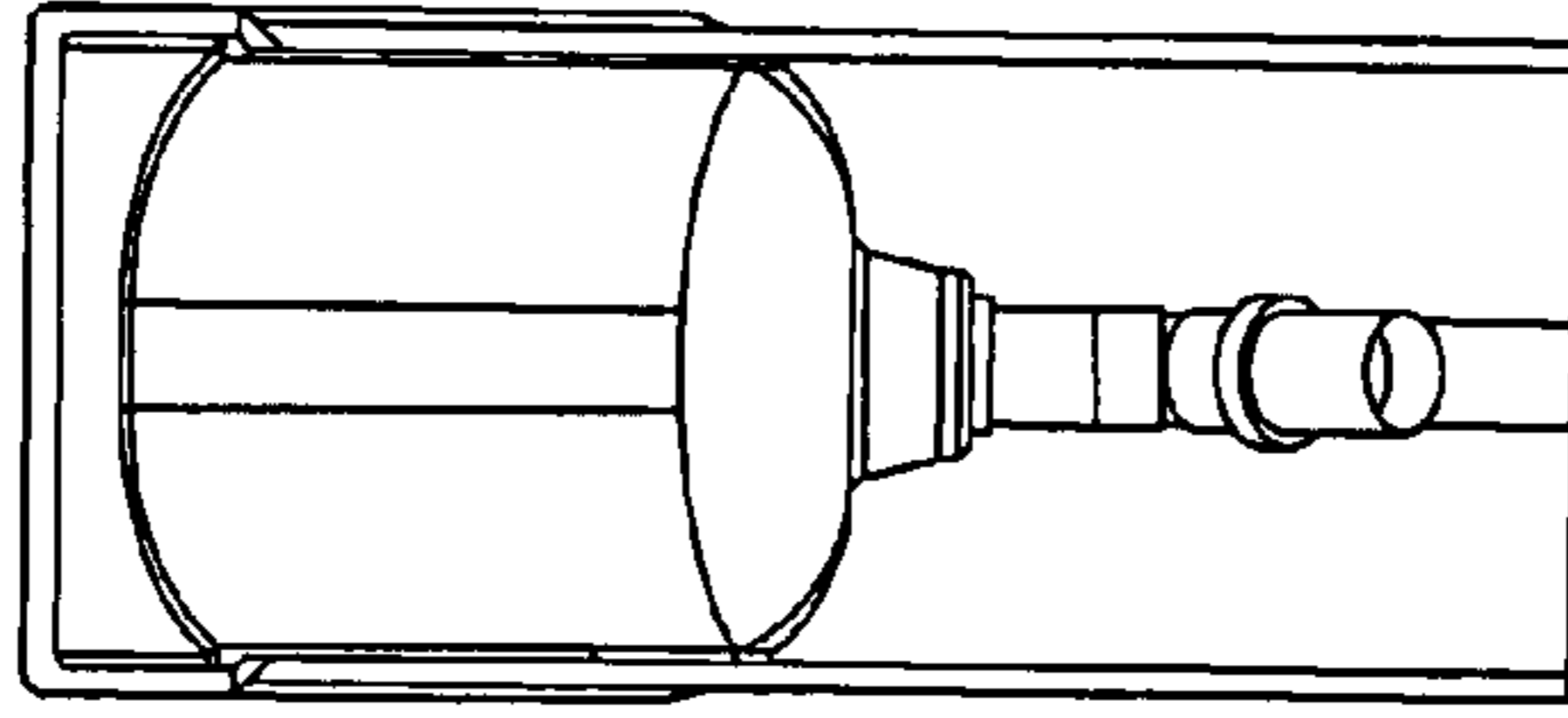


FIG. 6