

US00D548818S

(12) **United States Design Patent**
Feng et al.

(10) **Patent No.:** **US D548,818 S**

(45) **Date of Patent:** **** Aug. 14, 2007**

(54) **CUT-OFF VALVE**

(75) Inventors: **Zhongbo Feng**, Zhuji (CN); **Xuguang Huang**, Zhuji (CN); **Peiyu Cai**, Zhuji (CN)

(73) Assignees: **Zhejiang Dunan Precision Industries Group Co., Ltd**, Zhuji, Zhejiang (CN); **Zhejiang Dunan Hetian Metal Co., Ltd**, Zhuji, Zhejiang (CN)

(**) Term: **14 Years**

(21) Appl. No.: **29/251,862**

(22) Filed: **Jan. 13, 2006**

(30) **Foreign Application Priority Data**

Jul. 28, 2005 (CN) 2005 3 0113661

(51) **LOC (8) Cl.** **23-01**

(52) **U.S. Cl.** **D23/233**

(58) **Field of Classification Search** D23/233-237, D23/244-245; 251/14, 309-310, 315.14, 251/335.3, 332, 305; 137/172-174, 219, 137/625.22

See application file for complete search history.

(56) **References Cited**

U.S. PATENT DOCUMENTS

D259,584 S * 6/1981 Riley et al. D23/245

D301,915 S * 6/1989 Fisher et al. D23/233
D328,945 S * 8/1992 Aarthun et al. D23/233
D335,918 S * 5/1993 Glansk D23/245
D347,882 S * 6/1994 Greenwood et al. D23/245
D421,092 S * 2/2000 Martin D23/233
D473,931 S * 4/2003 Lai D23/245

* cited by examiner

Primary Examiner—Ian Simmons

Assistant Examiner—Maurice Atevens

(74) *Attorney, Agent, or Firm*—Global IP Services

(57) **CLAIM**

The ornamental design for a cut-off valve, as shown and described.

DESCRIPTION

FIG. 1 is a bottom perspective view of a cut-off valve, showing our new design;

FIG. 2 is a top perspective view thereof;

FIG. 3 is a front view thereof;

FIG. 4 is a rear view thereof;

FIG. 5 is a left side view thereof;

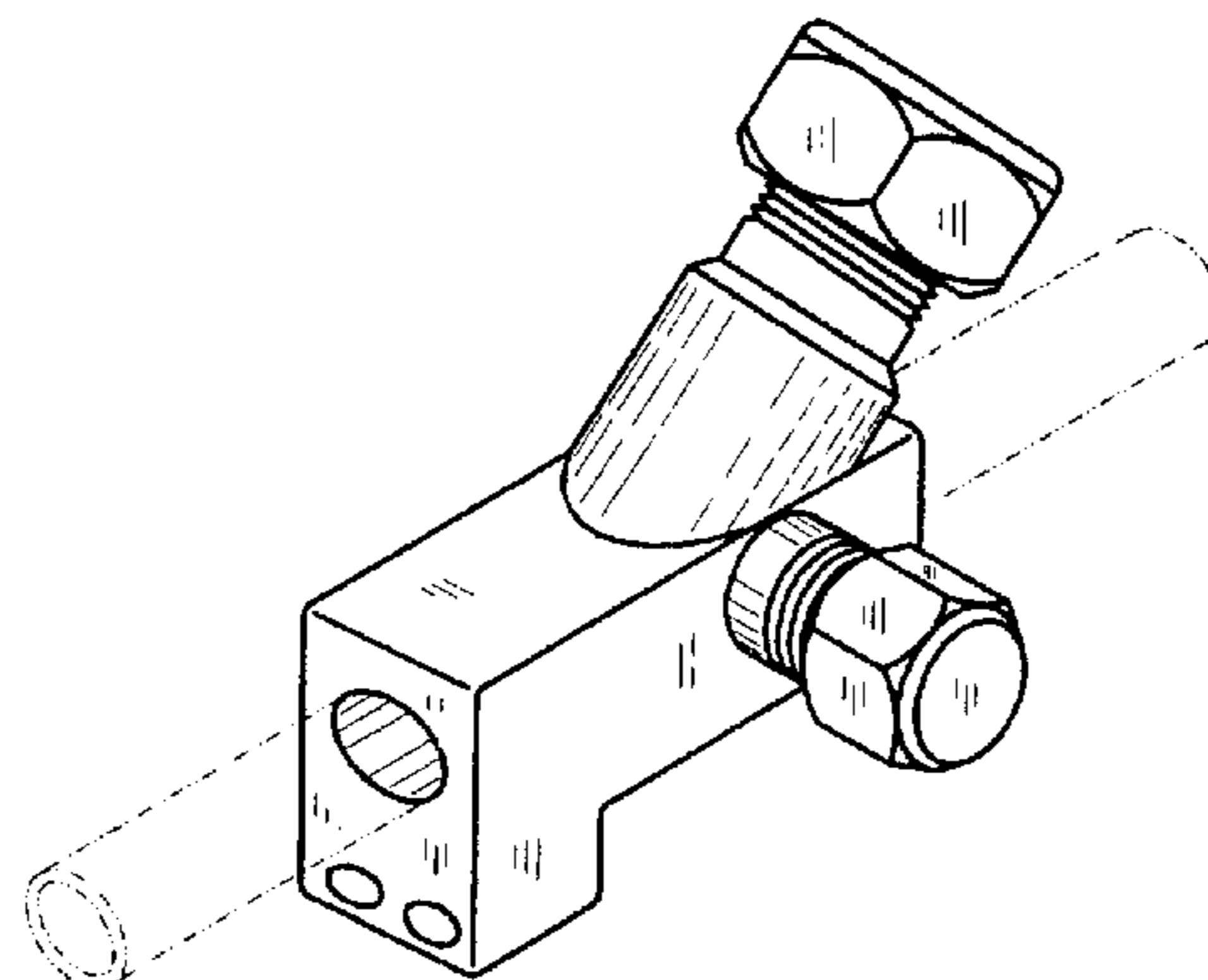
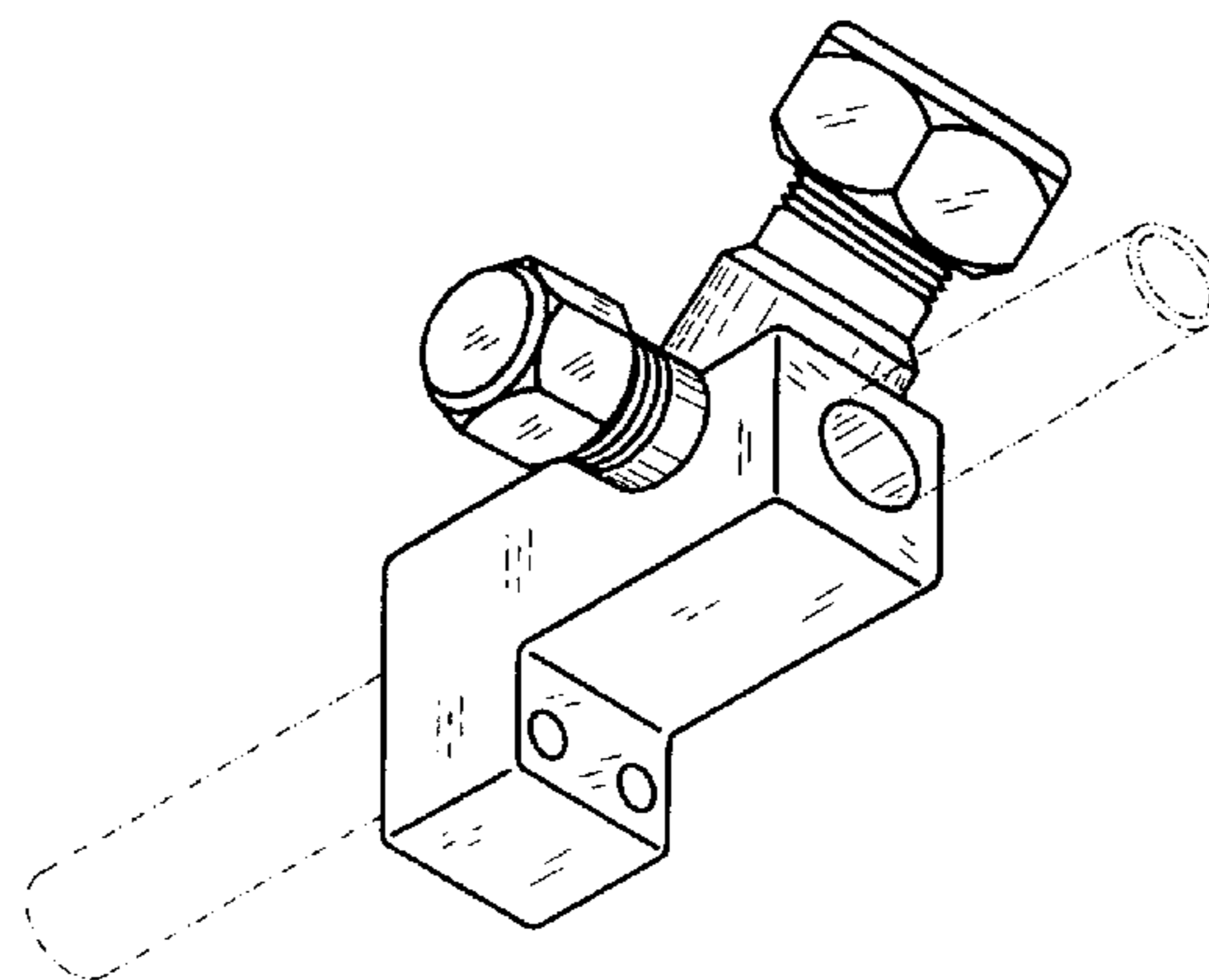
FIG. 6 is a right side view thereof;

FIG. 7 is a bottom view thereof; and,

FIG. 8 is a top view thereof.

The broken lines shown in FIGS. 1-8 are included for the purpose of illustrating environment and forms no part of the claimed design.

1 Claim, 4 Drawing Sheets



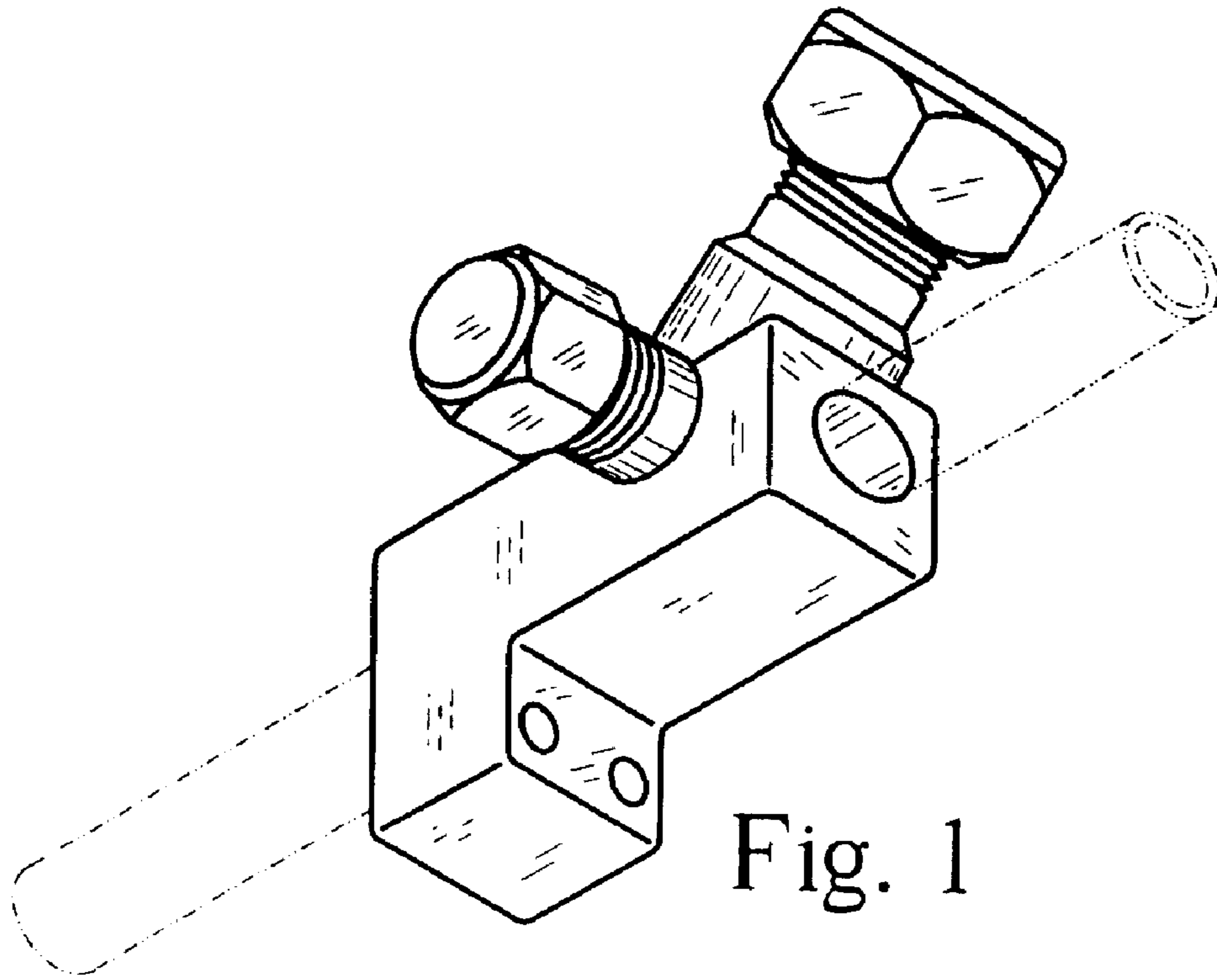


Fig. 1

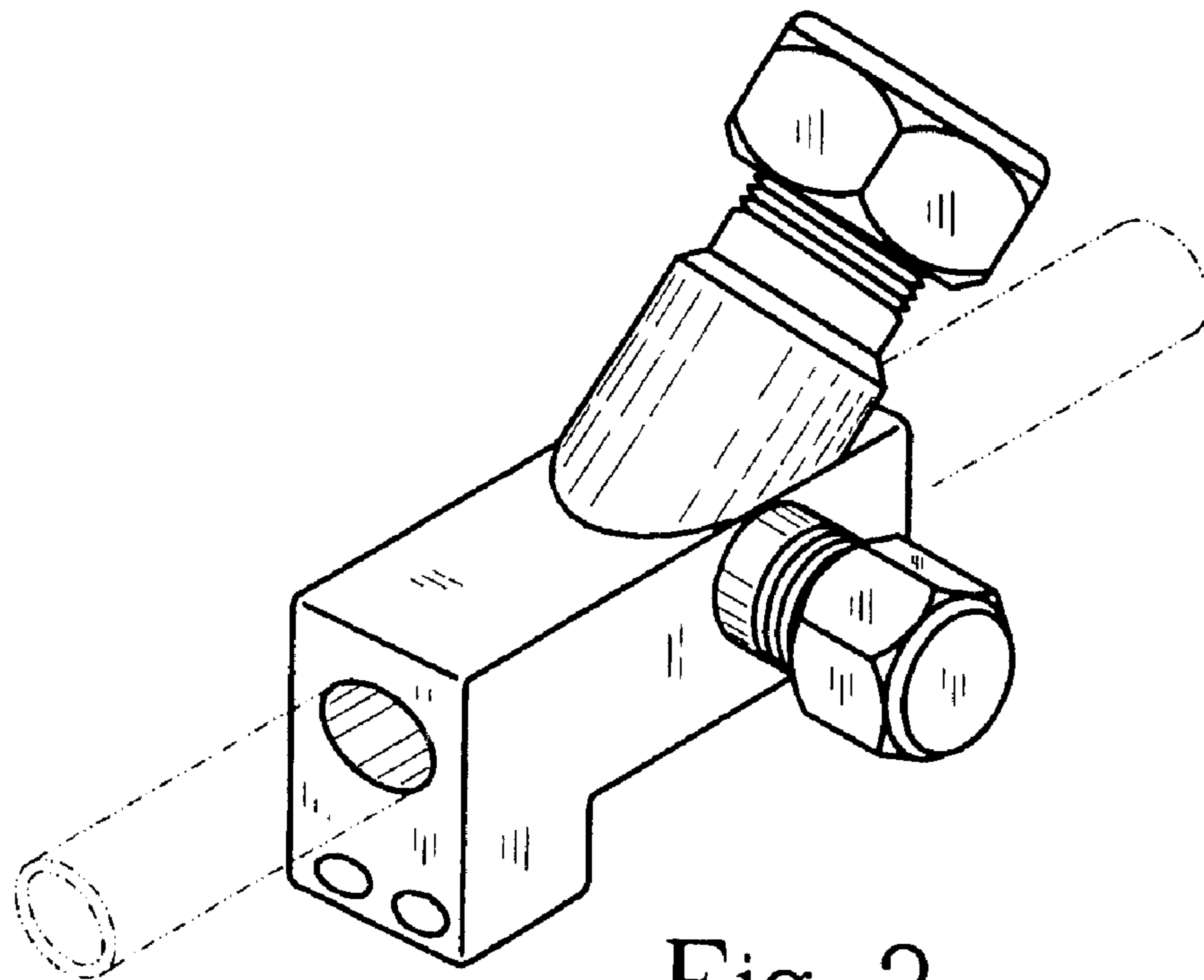


Fig. 2

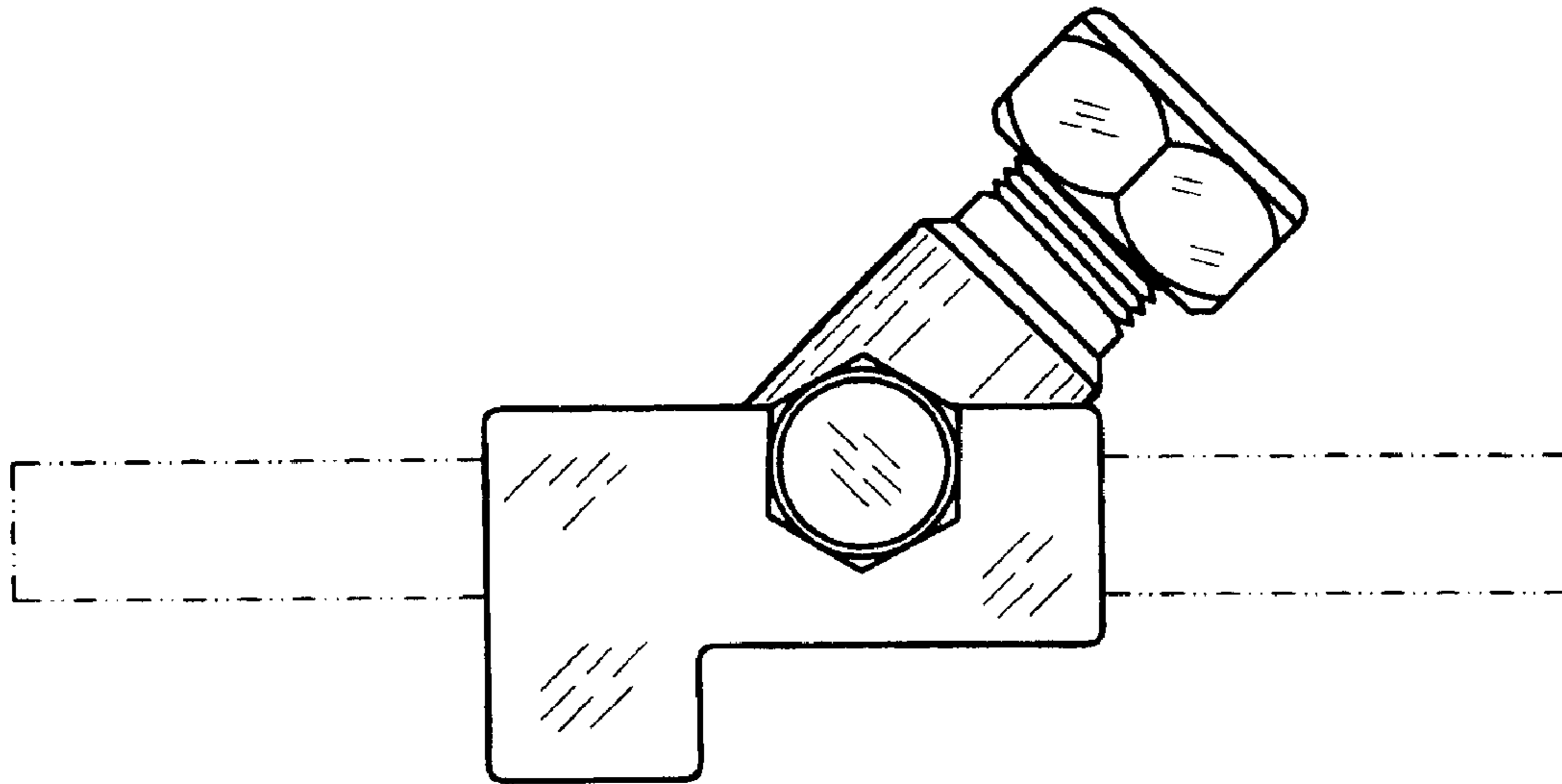


Fig. 3

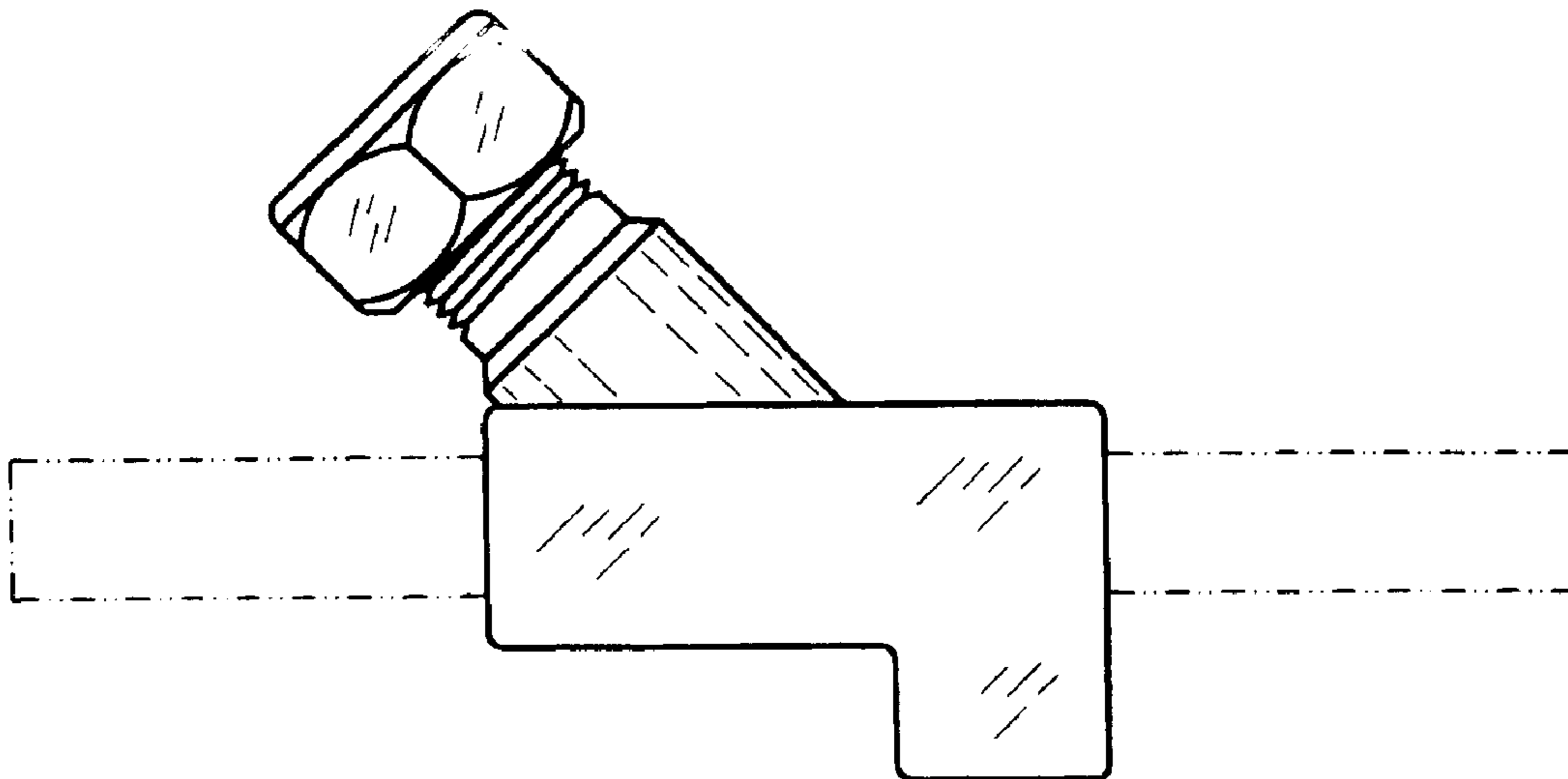


Fig. 4

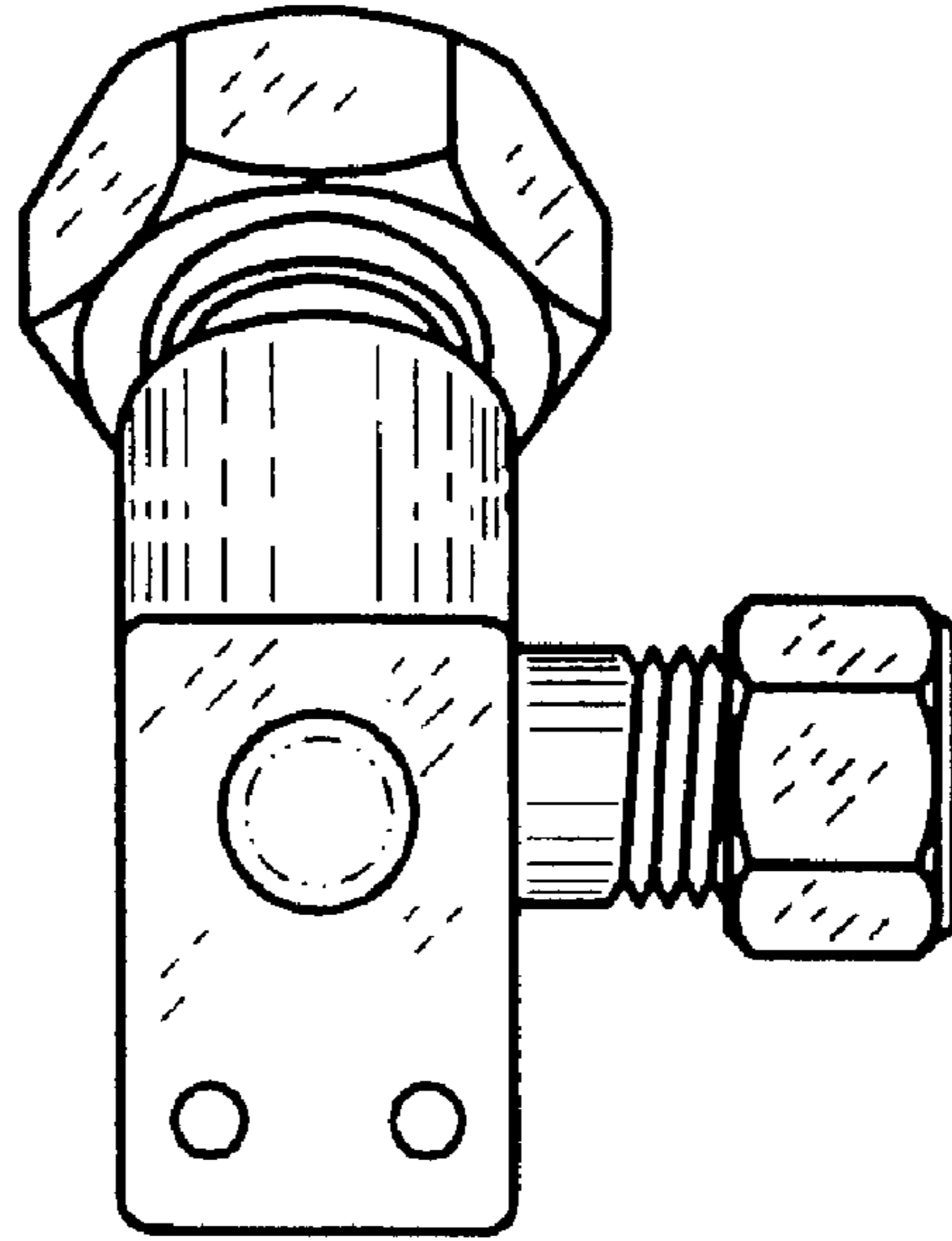


Fig. 5

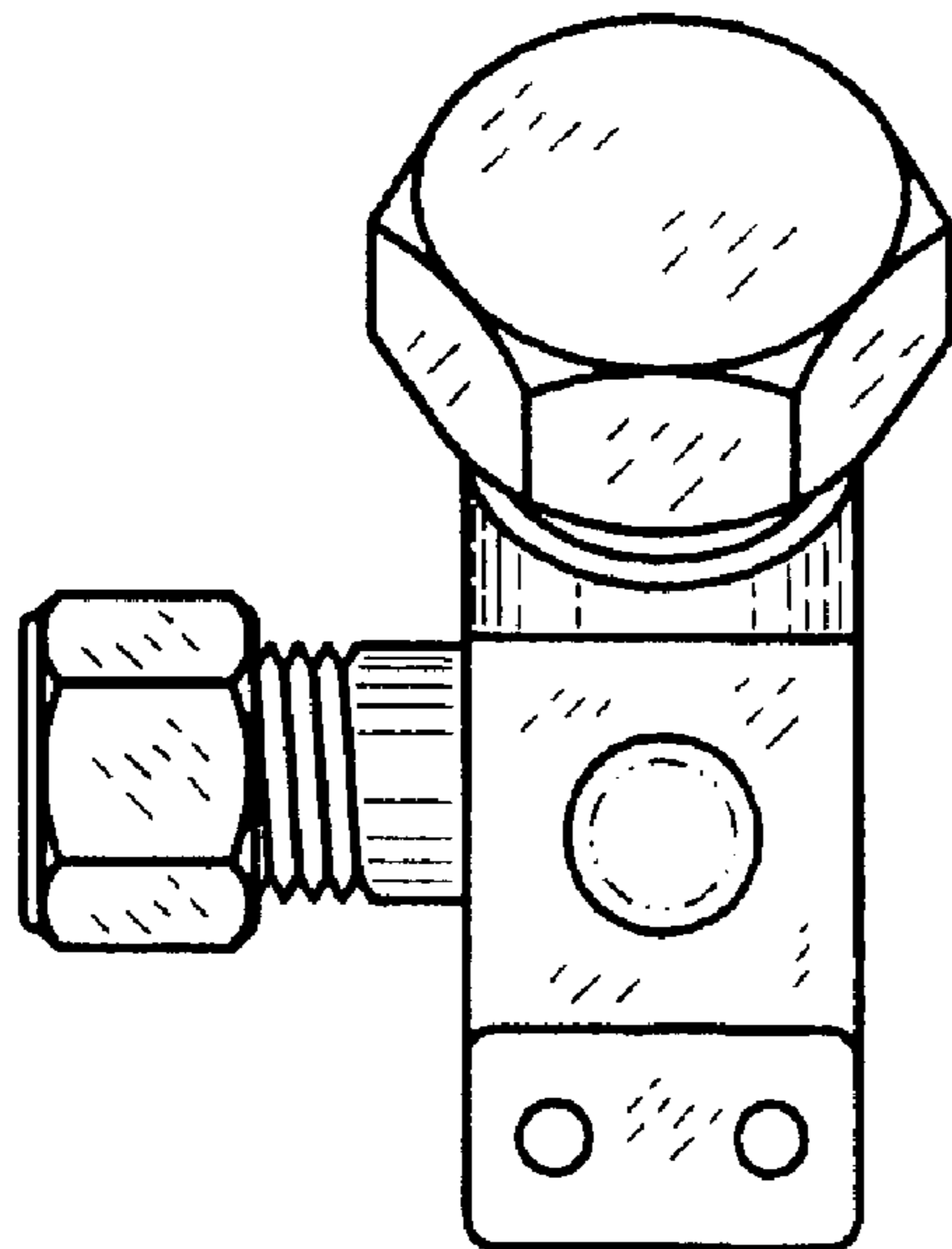


Fig. 6

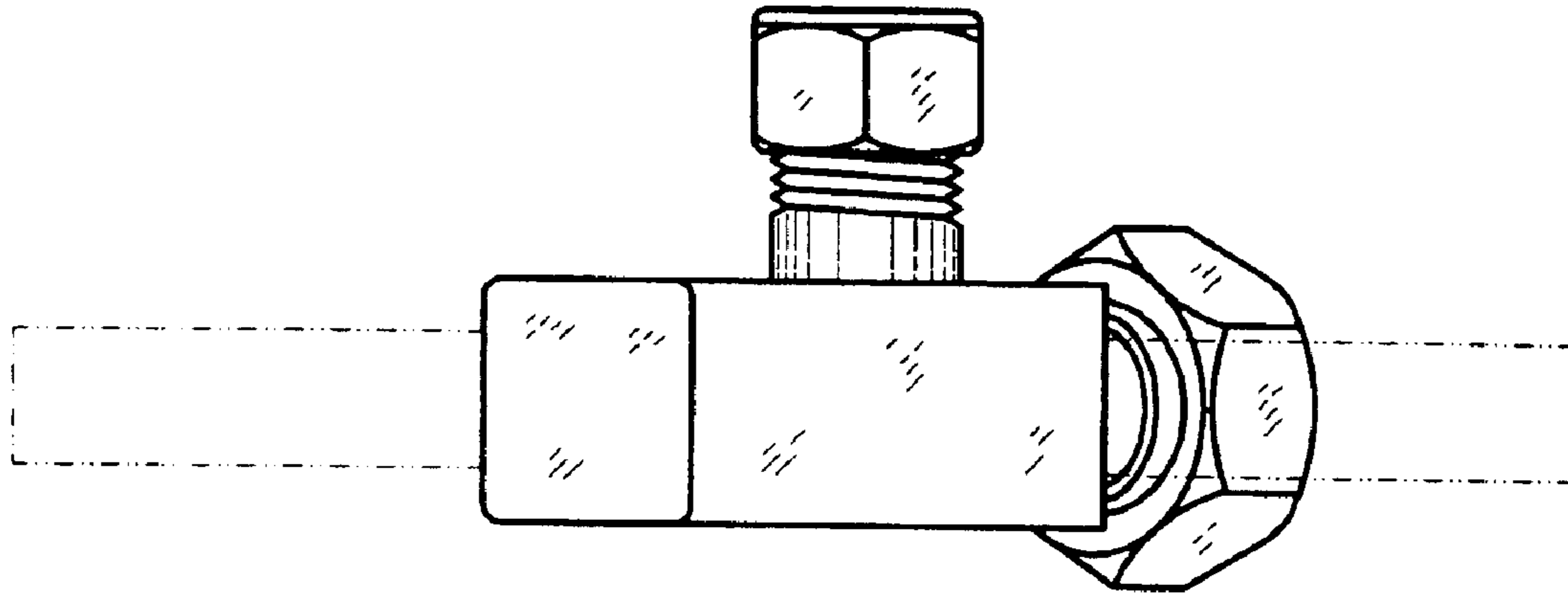


Fig. 7

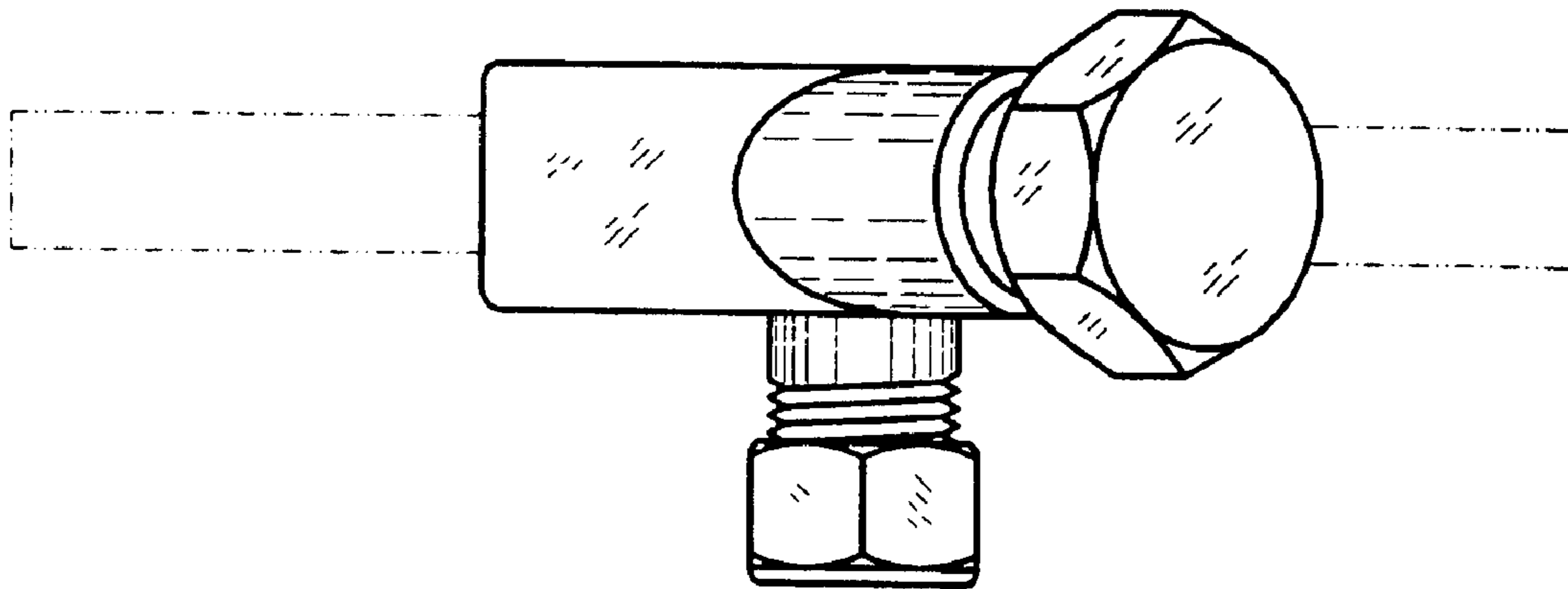


Fig. 8