

US00D548817S

(12) **United States Design Patent**
Dingler et al.

(10) **Patent No.:** **US D548,817 S**

(45) **Date of Patent:** **** Aug. 14, 2007**

(54) **SHOWERHEAD**

D411,608 S * 6/1999 Fan D23/229

(75) Inventors: **Noah Dingler**, Waterford, MI (US);
Dominic Daunter, Howell, MI (US);
Kristen Swope, Homer, MI (US);
Michael Miller, Portage, MI (US);
Julian Giggs, Hillsdale, MI (US)

* cited by examiner

Primary Examiner—Robin Webster
(74) *Attorney, Agent, or Firm*—Edgar A. Zarins; Lloyd D. Doigan

(73) Assignee: **Alsons Corporation**, Hillsdale, MI (US)

(57) **CLAIM**

The ornamental design for a showerhead, as shown and described.

(**) Term: **14 Years**

(21) Appl. No.: **29/258,153**

DESCRIPTION

(22) Filed: **Apr. 18, 2006**

FIG. 1 is a front perspective view of a showerhead showing our new design;

(51) **LOC (8) Cl.** **23-01**

FIG. 2 is a rear perspective view thereof;

(52) **U.S. Cl.** **D23/229**

FIG. 3 is a front face view thereof;

(58) **Field of Classification Search** D23/213,

FIG. 4 is a rear view thereof;

D23/229–230; 239/282–3, 462

FIG. 5 is a top plan view thereof; and,

See application file for complete search history.

FIG. 6 is a right side view thereof, the opposite side being a mirror image of the side shown.

(56) **References Cited**

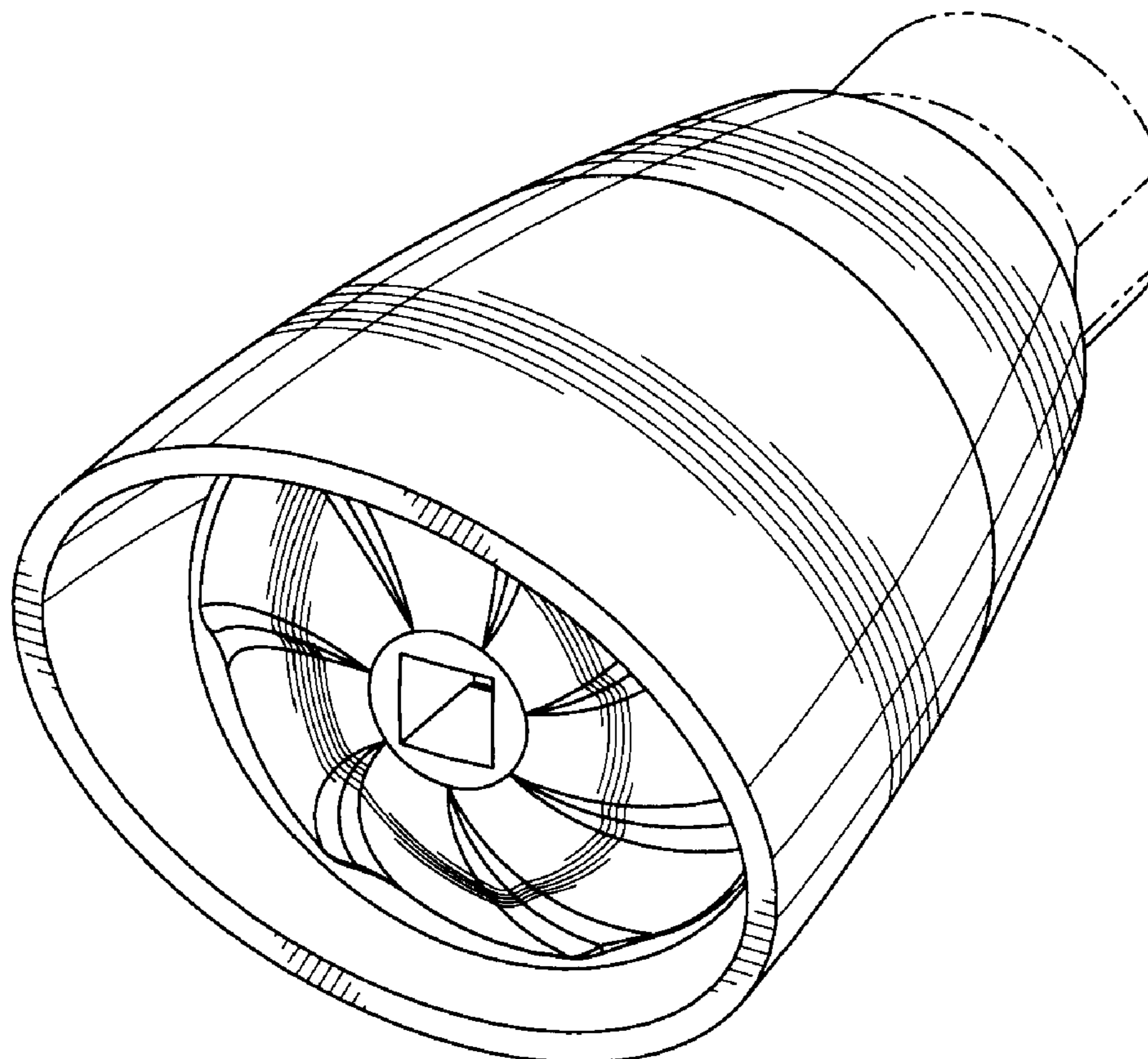
The broken line showing is included for the purpose of illustrating and forms no part of the claimed design.

U.S. PATENT DOCUMENTS

D206,043 S * 10/1966 Fiorentino 23/229

D231,829 S * 6/1974 Frasier D23/230

1 Claim, 3 Drawing Sheets



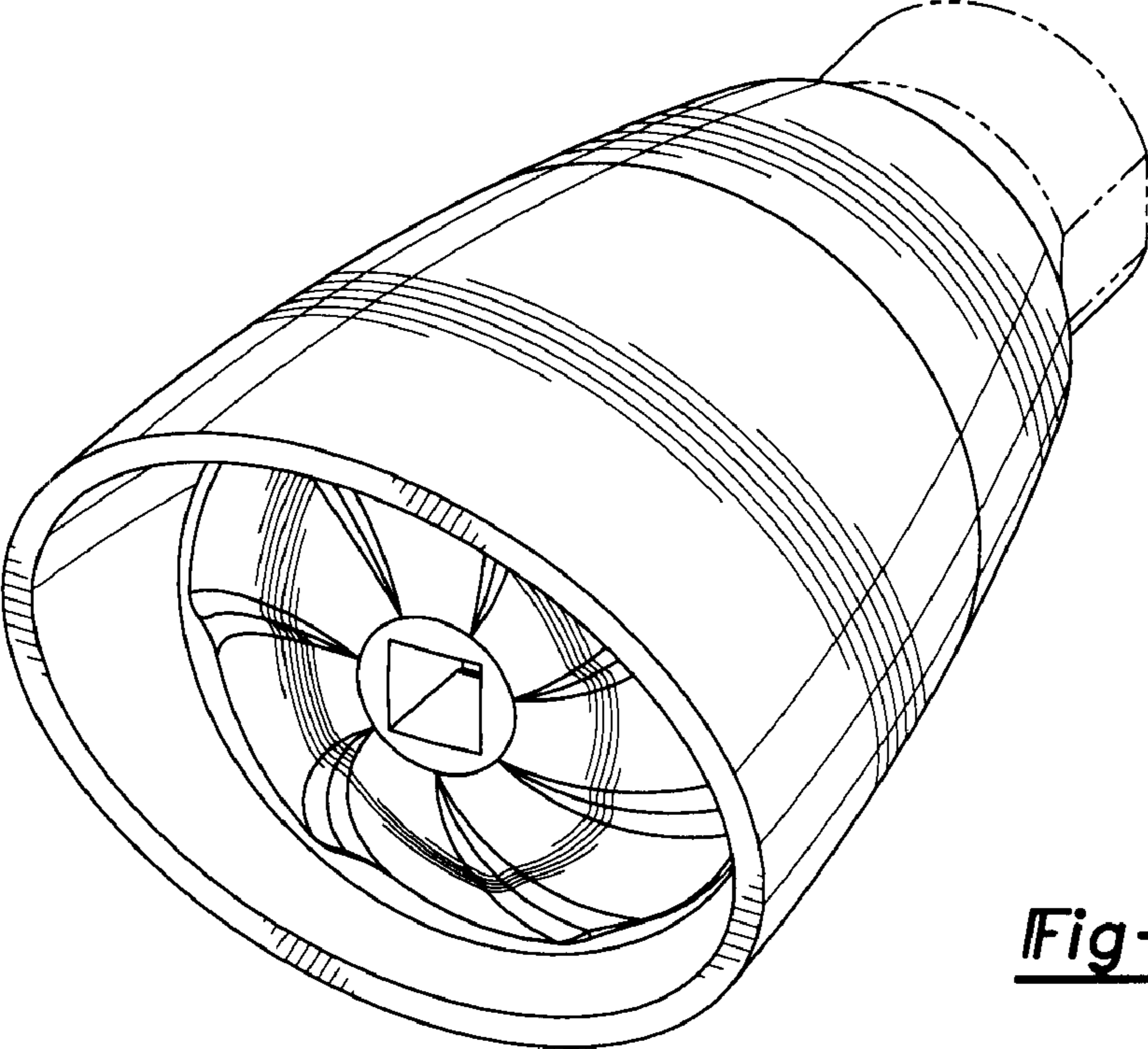


Fig-1

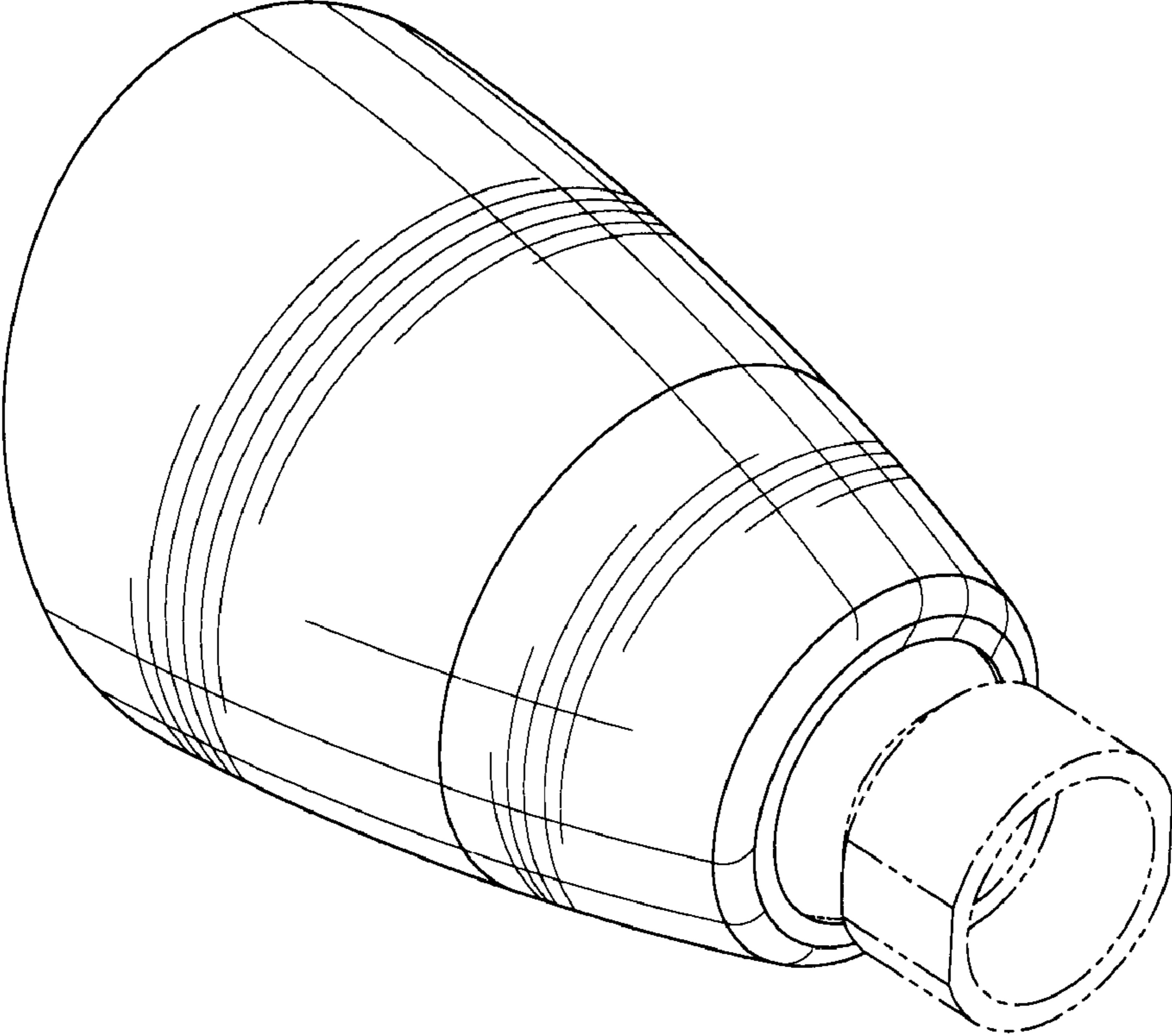


Fig-2

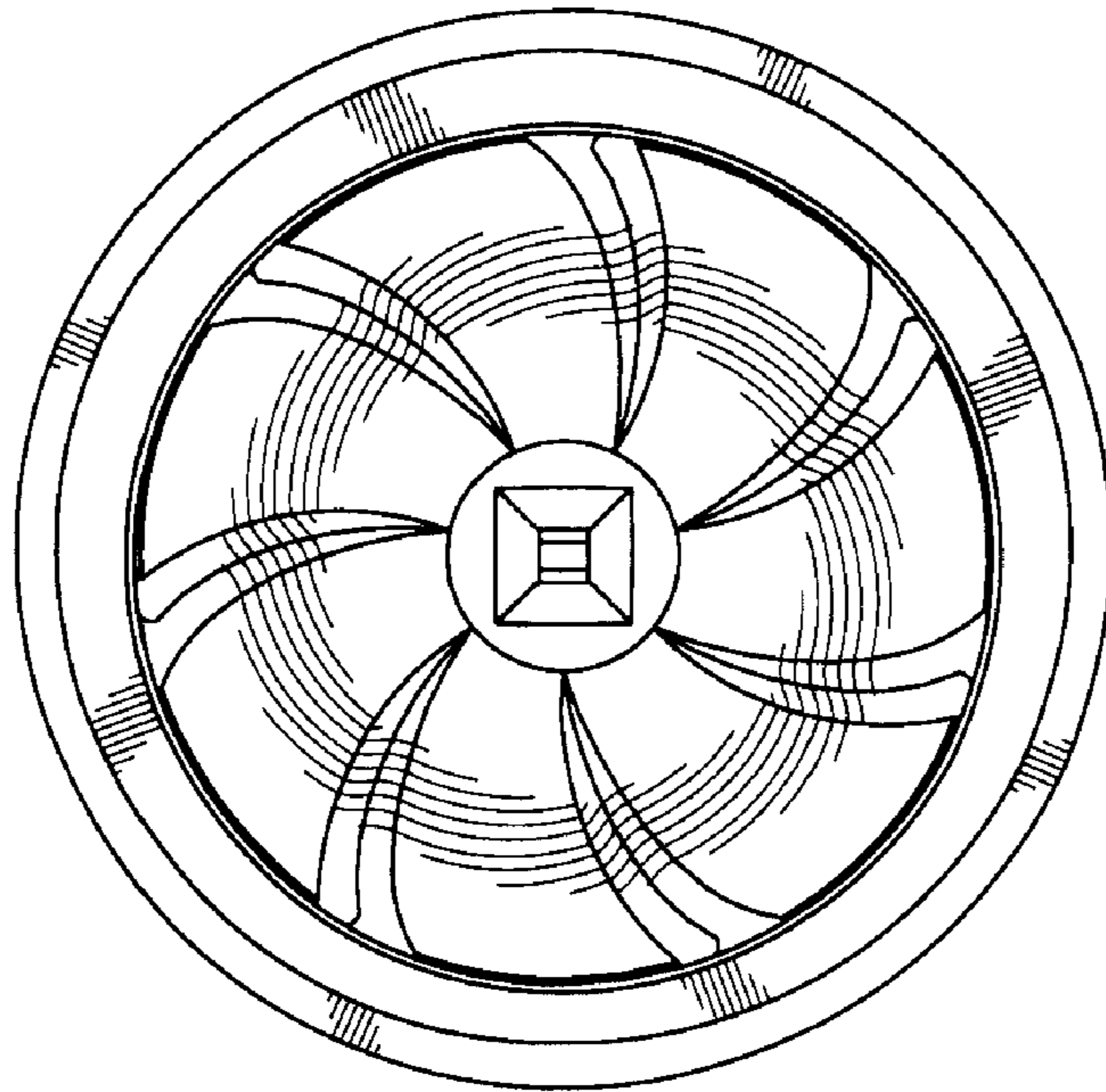


Fig-3

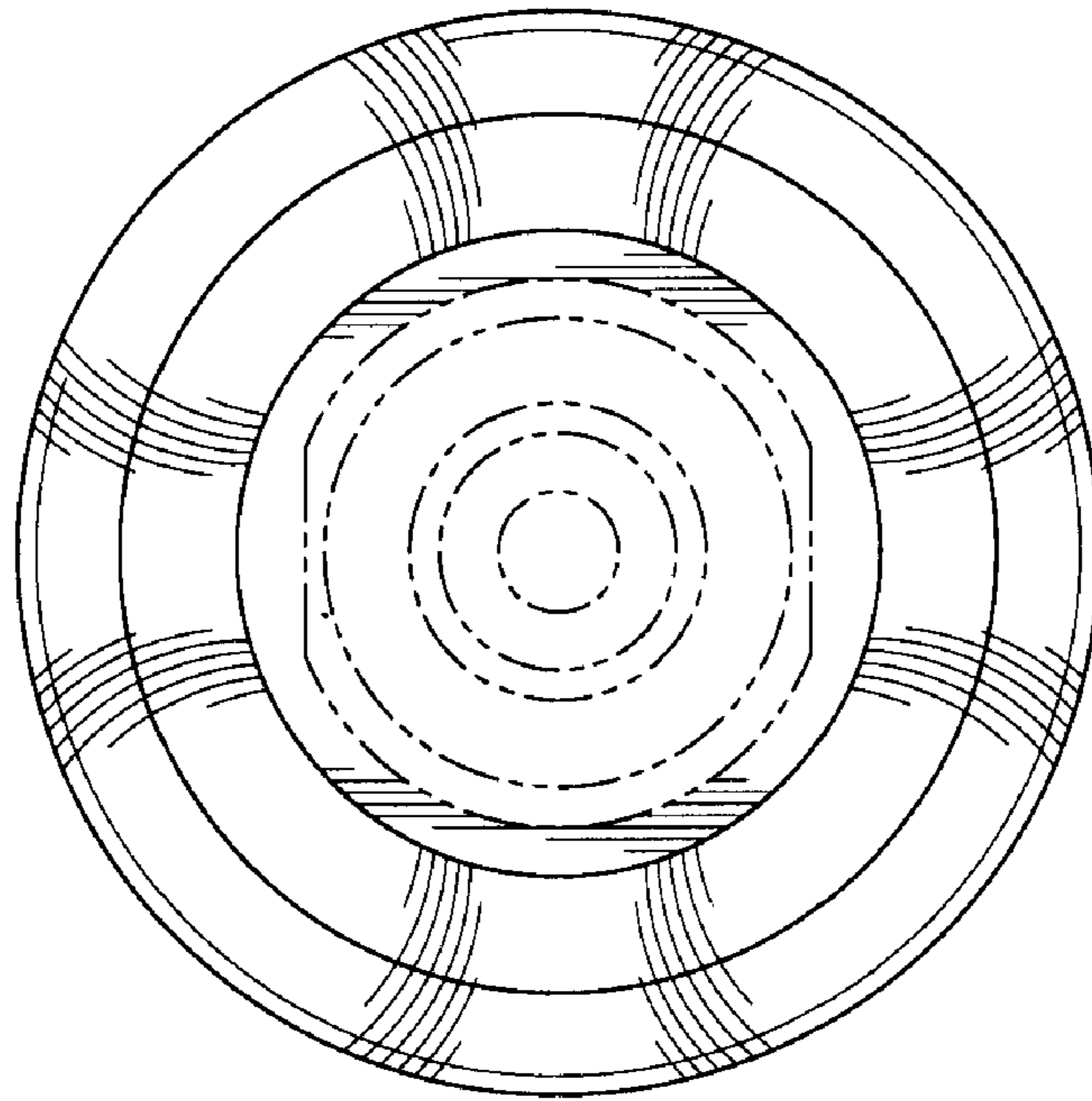


Fig-4

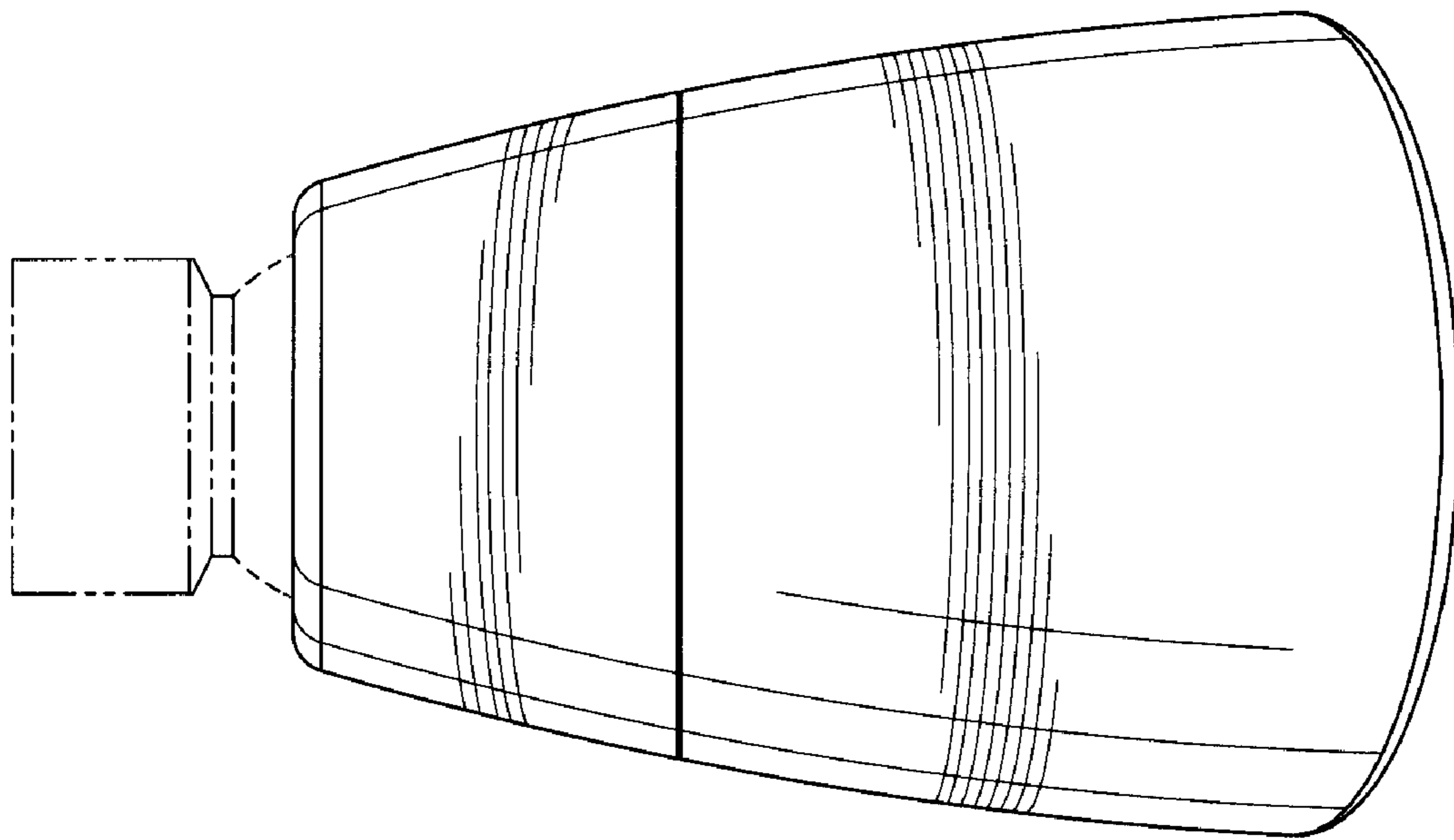


Fig-5

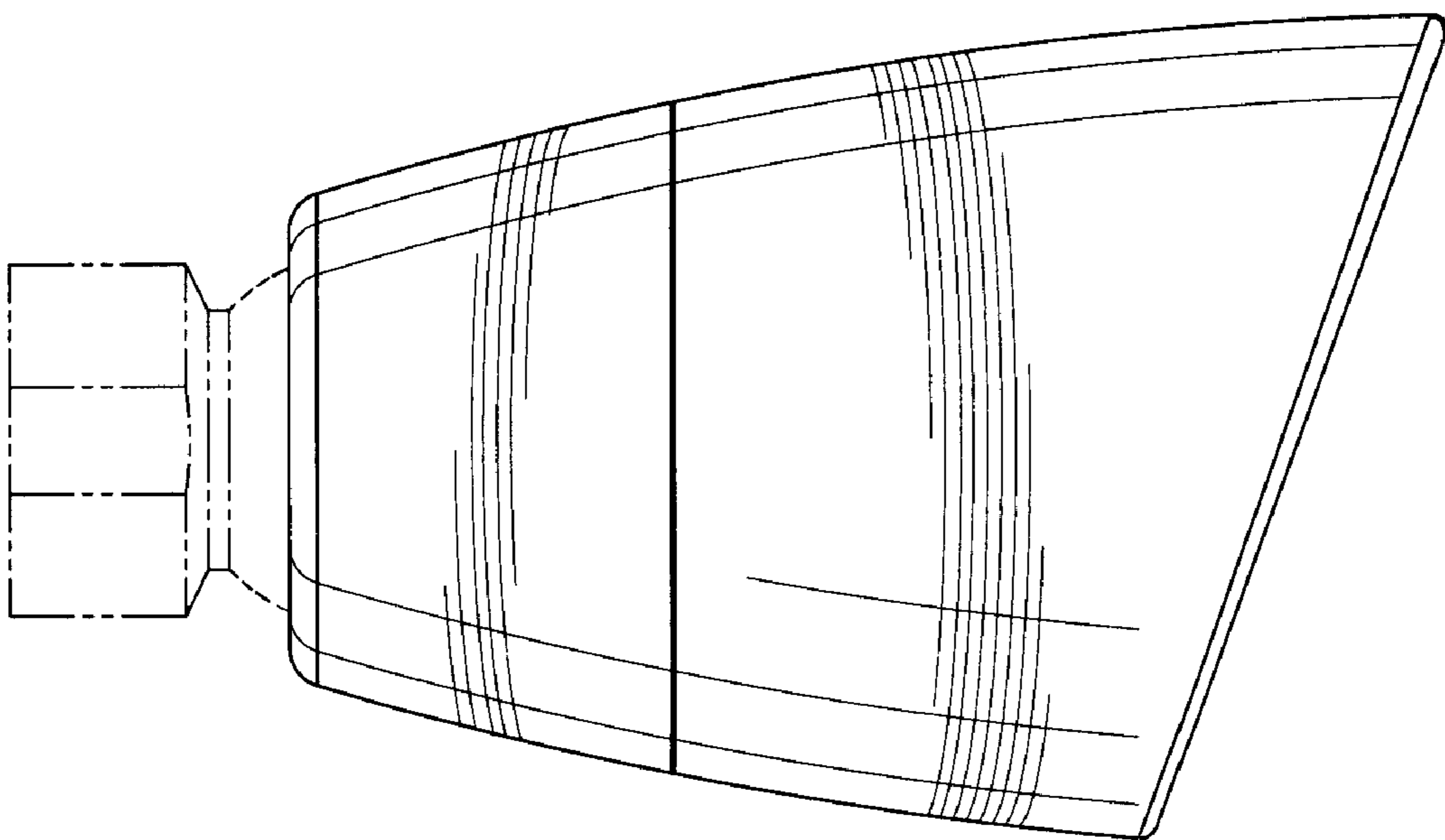


Fig-6