



US00D548814S

(12) **United States Design Patent**
Fuller

(10) **Patent No.:** **US D548,814 S**

(45) **Date of Patent:** **** Aug. 14, 2007**

(54) **KNIFE HANDLE**

D502,526 S * 3/2005 Rae D22/118
D527,436 S * 8/2006 Carter, III D22/118

(76) Inventor: **Michael Fuller**, P.O. Box 2544, Idaho Falls, ID (US) 83403-2544

* cited by examiner

(**) Term: **14 Years**

Primary Examiner—Catherine R. Oliver
(74) *Attorney, Agent, or Firm*—Eric M. Barzee

(21) Appl. No.: **29/246,387**

(57) **CLAIM**

(22) Filed: **Apr. 6, 2006**

An ornamental design for a knife handle, as shown.

(51) **LOC (8) Cl.** **22-02**

(52) **U.S. Cl.** **D22/118**

(58) **Field of Classification Search** D22/118;
D8/95–99, 107, 303; D7/652, 649, 401.2;
30/155–161, 340, 342–345, 151, 294–295
See application file for complete search history.

DESCRIPTION

FIG. 1 is a perspective view of the knife handle according to the present invention; and,

FIG. 2 is an additional perspective view of the knife handle according to the present invention.

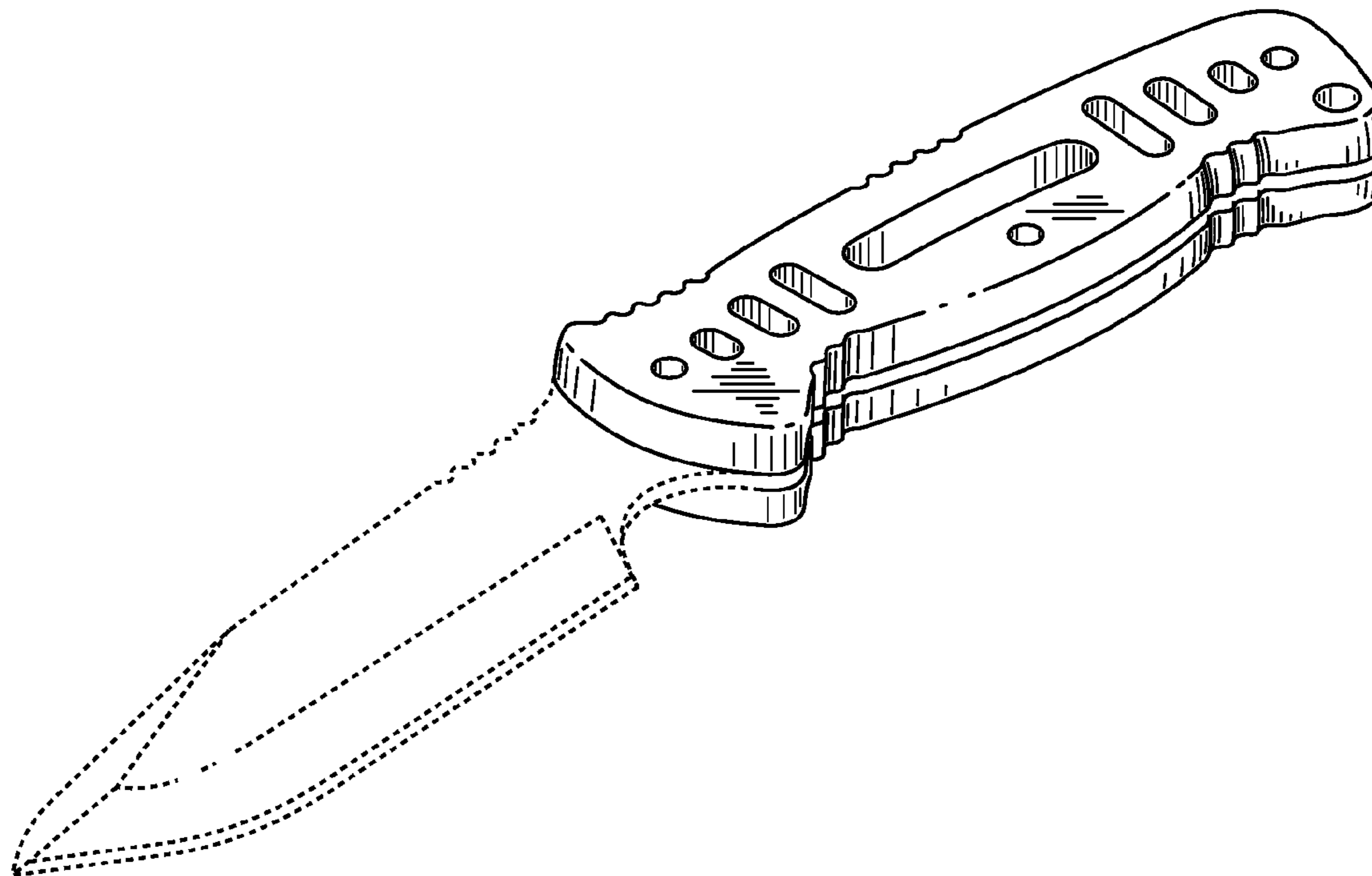
The broken lines showing the blade of a knife are for illustrative purposes only and form no part of the claimed design.

(56) **References Cited**

U.S. PATENT DOCUMENTS

D496,424 S * 9/2004 Carter, III D22/118
D496,425 S * 9/2004 Carter, III D22/118

1 Claim, 1 Drawing Sheet



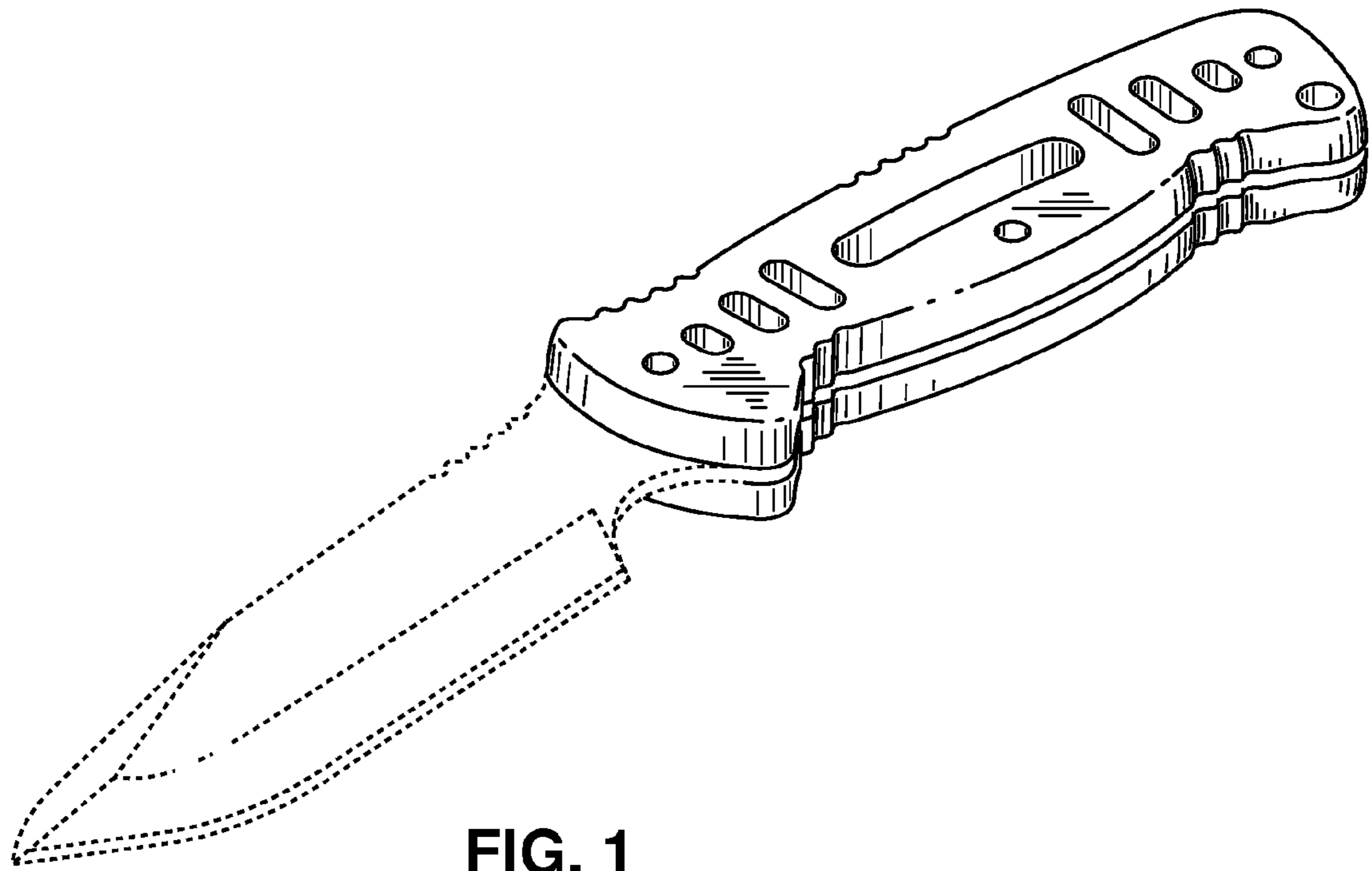


FIG. 1

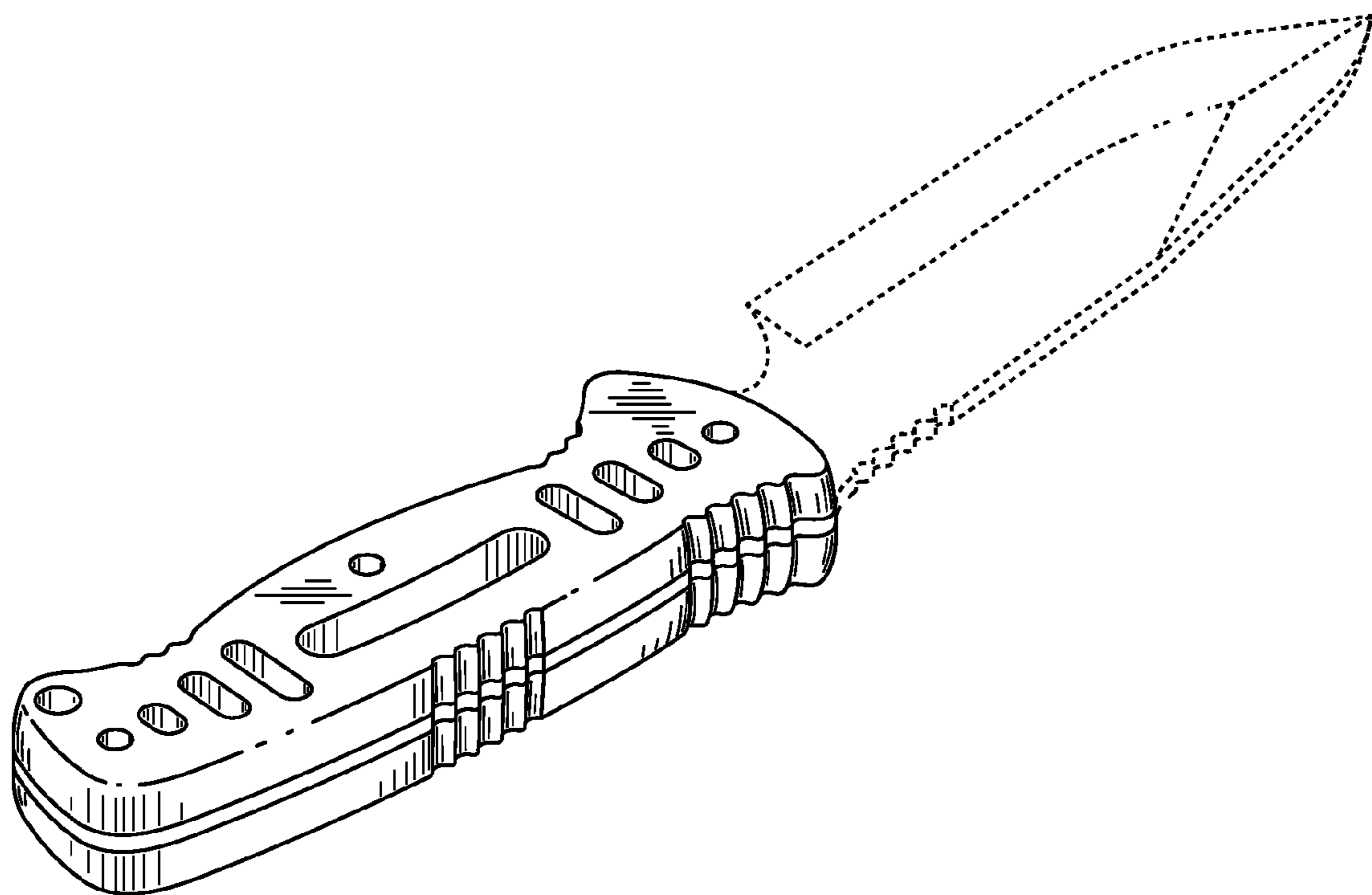


FIG. 2