

US00D548812S

(12) **United States Design Patent**  
**Tippmann, Jr. et al.**

(10) **Patent No.:** **US D548,812 S**

(45) **Date of Patent:** **\*\* Aug. 14, 2007**

(54) **PROJECTILE LAUNCHER**

(75) Inventors: **Dennis J. Tippmann, Jr.**, Fort Wayne, IN (US); **Bryce A. Carrico**, Fort Wayne, IN (US)

(73) Assignee: **Tippman Sports, LLC**, Fort Wayne, IN (US)

(\*\*) Term: **14 Years**

(21) Appl. No.: **29/253,463**

(22) Filed: **Feb. 7, 2006**

(51) **LOC (8) Cl.** ..... **22-01**

(52) **U.S. Cl.** ..... **D22/113**

(58) **Field of Classification Search** ..... D22/112-115;  
102/343, 361, 502, 144; 124/57; 86/20.1,  
86/20.11, 21; 89/1.802, 1.805, 1.815; D21/454  
See application file for complete search history.

(56) **References Cited**

U.S. PATENT DOCUMENTS

1,922,081	A	*	8/1933	Driggs, Jr.	102/351
2,103,936	A	*	12/1937	Decker	102/357
2,625,764	A		1/1953	O'Brien et al.	
3,280,744	A	*	10/1966	Brown	102/358
D290,731	S	*	7/1987	Canady	D22/113
5,965,839	A		10/1999	Vasel et al.	
5,979,329	A	*	11/1999	Collar	102/361
6,286,429	B1	*	9/2001	Marietta et al.	102/342
6,393,992	B1		5/2002	Vasel et al.	
6,457,415	B1	*	10/2002	Peter Sung Yan	102/361
6,543,365	B1		4/2003	Vasel et al.	

6,546,874	B2		4/2003	Vasel et al.	
6,851,371	B1	*	2/2005	Wah	102/343
2003/0047105	A1		3/2003	Vasel et al.	
2005/0066841	A1		3/2005	Vasel et al.	
2005/0188886	A1		9/2005	Vasel et al.	
2006/0027223	A1		2/2006	Vasel et al.	

\* cited by examiner

*Primary Examiner*—Ian Simmons

*Assistant Examiner*—Melanie Levy

(74) *Attorney, Agent, or Firm*—Barnes & Thornburg LLP

(57) **CLAIM**

We claim the ornamental design for a projectile launcher, as shown and described.

**DESCRIPTION**

FIG. 1 shows a right side view of the projectile launcher of FIG. 1.

FIG. 2 shows a left side view of the projectile launcher of FIG. 1.

FIG. 3 shows a front view of the projectile launcher of FIG. 1.

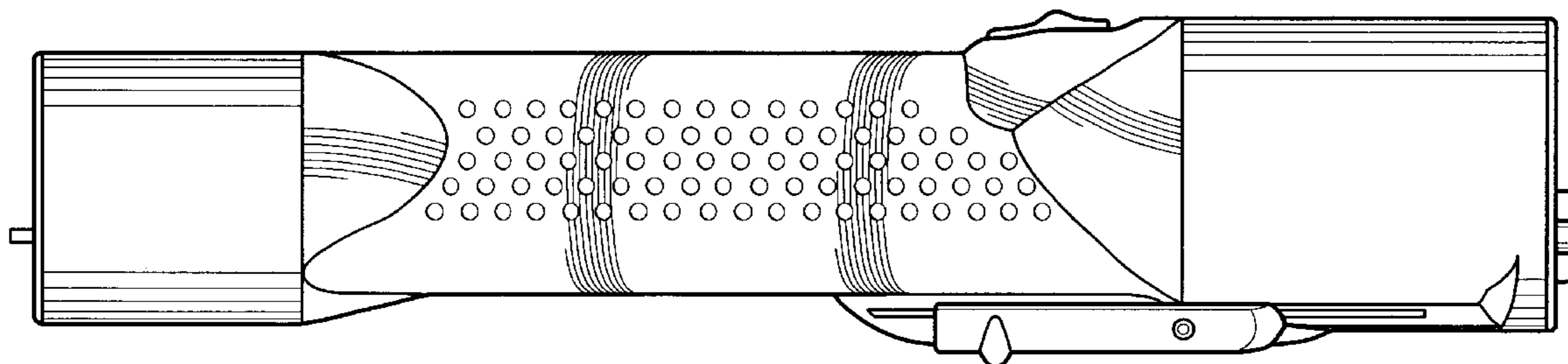
FIG. 4 shows a rear view of the projectile launcher of FIG. 1.

FIG. 5 shows a top view of the projectile launcher of FIG. 1; and,

FIG. 6 shows a bottom view of the projectile launcher of FIG. 1.

The broken lines are for illustrative purposes only and form no part of the claimed design.

**1 Claim, 3 Drawing Sheets**



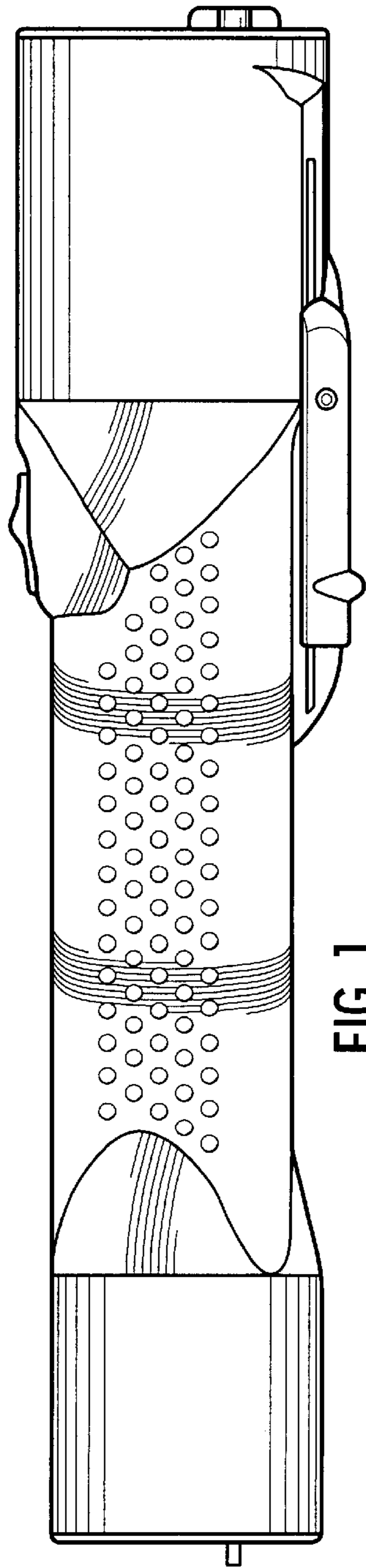


FIG. 1

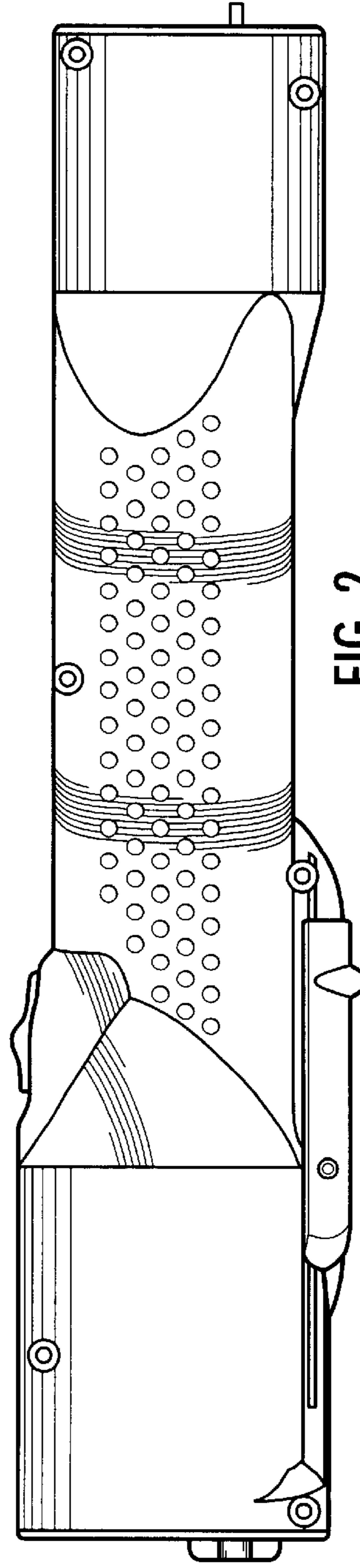


FIG. 2

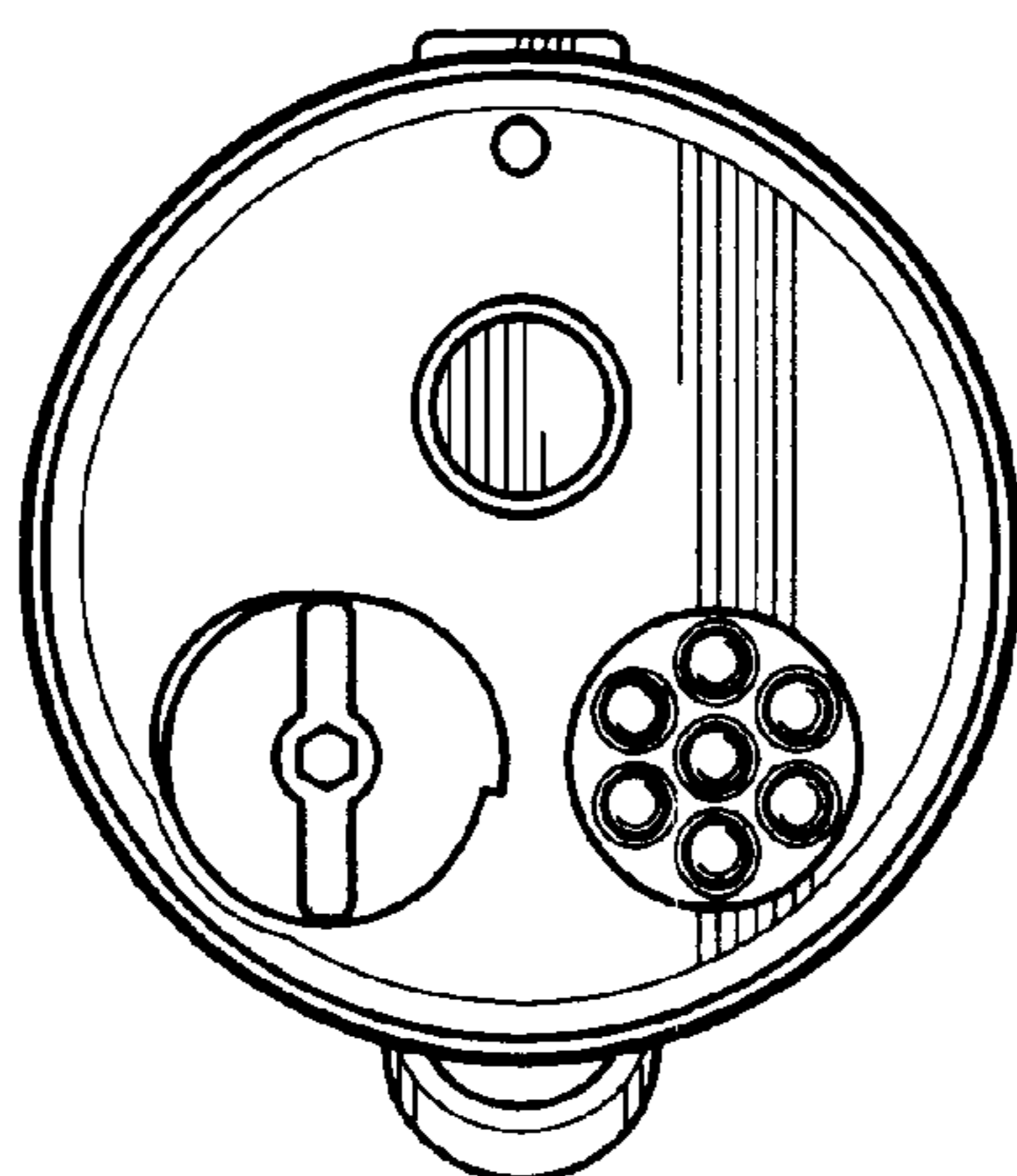


FIG. 3

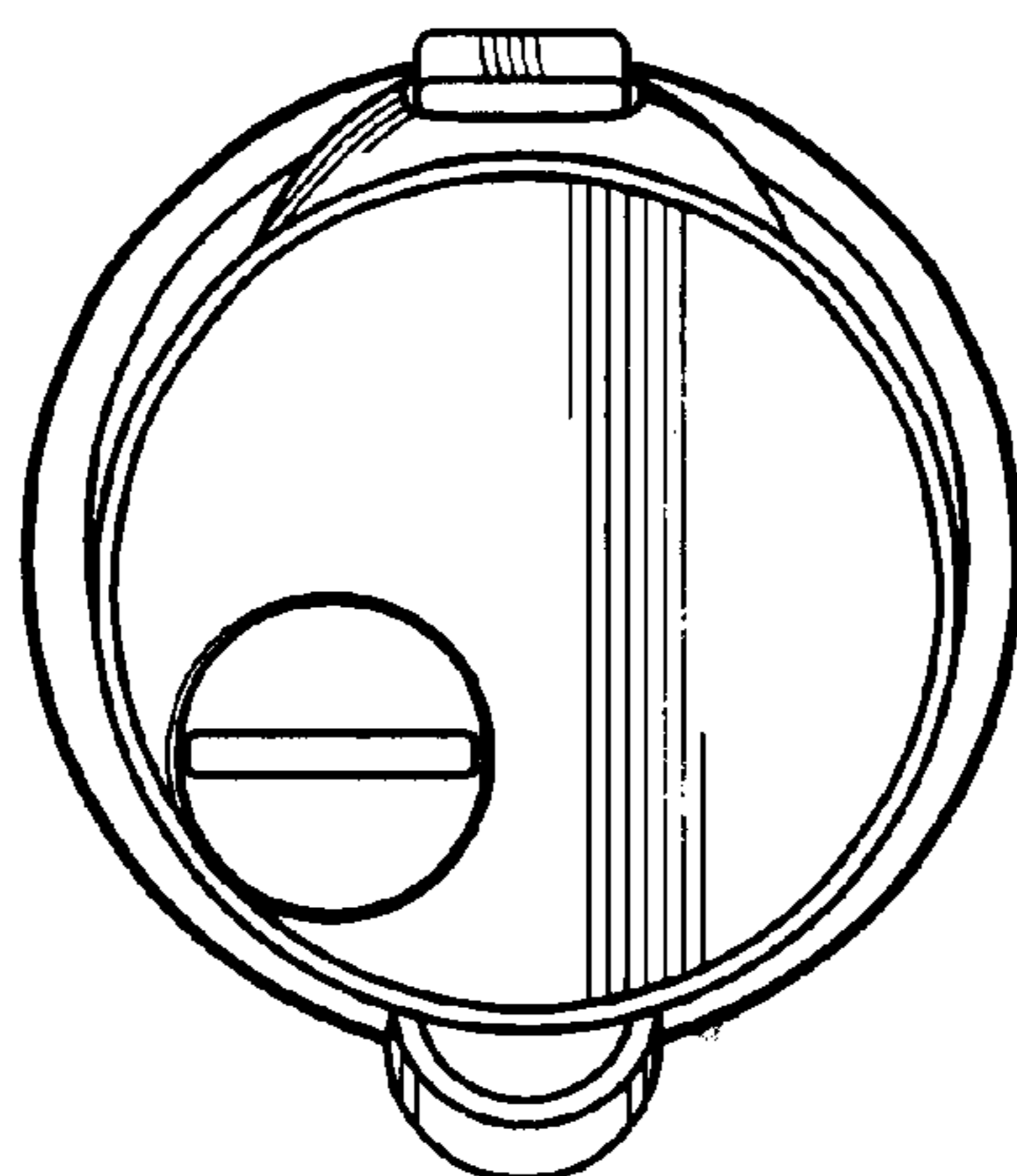


FIG. 4

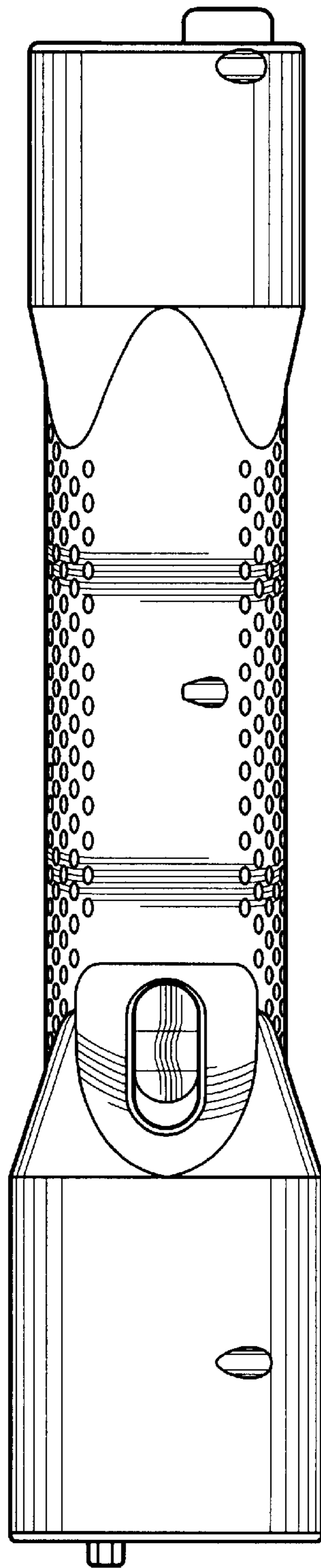


FIG. 5

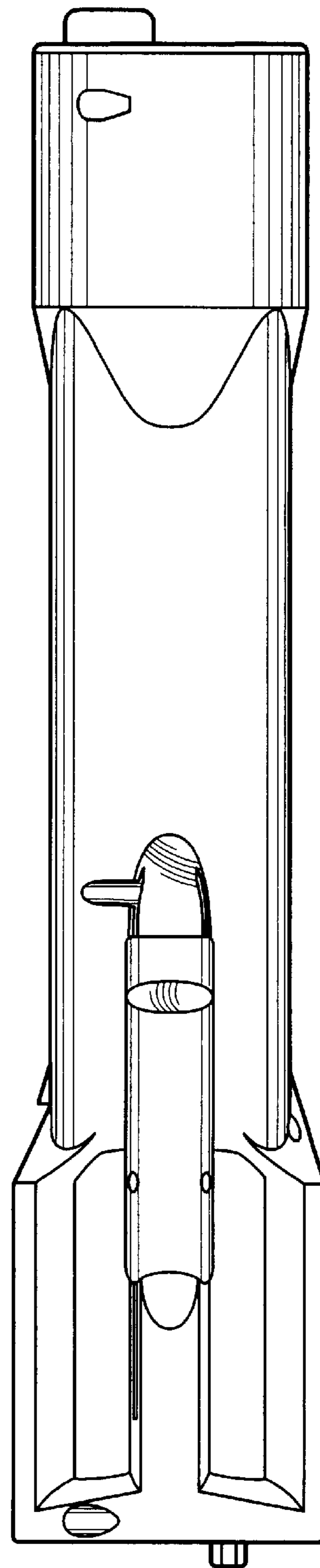


FIG. 6