



US00D548809S

(12) **United States Design Patent**
Walsh

(10) **Patent No.:** **US D548,809 S**

(45) **Date of Patent:** **** Aug. 14, 2007**

(54) **PRACTICE ATTACHMENT FOR A GOLF PUTTER**

(74) *Attorney, Agent, or Firm*—Verrill Dana, LLP; Chris A. Caseiro

(76) Inventor: **Stephen W. Walsh**, 443 N. Bridgton Rd., Bridgton, ME (US) 04009

(57) **CLAIM**

(**) Term: **14 Years**

The ornamental design for a practice attachment for a golf putter, as shown and described.

(21) Appl. No.: **29/261,743**

DESCRIPTION

(22) Filed: **Jun. 20, 2006**

(51) **LOC (8) Cl.** **21-02**

(52) **U.S. Cl.** **D21/791**

(58) **Field of Classification Search** D21/759,
D21/789, 791; 473/251–256, 244, 340, 341,
473/238

FIG. 1 is a perspective view of a practice attachment for a golf putter according to my new design;

FIG. 2 is a side elevational view thereof;

FIG. 3 is a top plan view thereof;

FIG. 4 is a bottom plan view thereof;

FIG. 5 is a front elevational view thereof; and

FIG. 6 is a rear elevational view thereof.

See application file for complete search history.

FIG. 7 is a perspective view of an alternative embodiment of a practice attachment for a golf putter according to my new design;

(56) **References Cited**

U.S. PATENT DOCUMENTS

4,002,343	A *	1/1977	Eckert	473/251
4,647,045	A *	3/1987	Bilyeu	473/238
D360,446	S *	7/1995	Juliano	D21/759
D502,519	S *	3/2005	Kang	D21/759
D519,593	S *	4/2006	Solari	D21/791

FIG. 8 is a top plan view thereof; and,

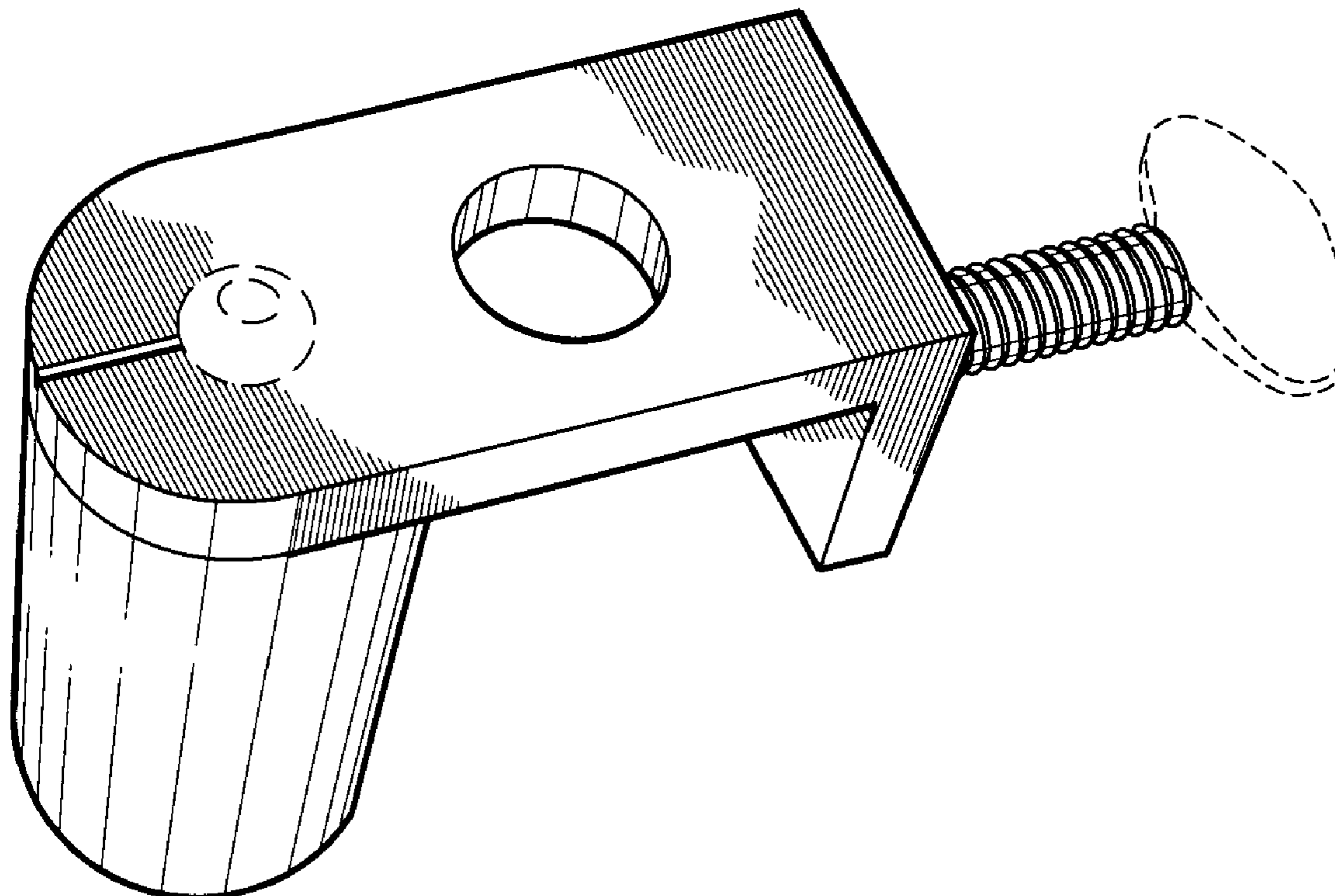
FIG. 9 is a bottom plan view thereof.

* cited by examiner

The broken lines showing a) the wing of a thumbscrew and b) the head of a button-head cap screw, are for illustrative purposes only and form no part of the claimed design.

Primary Examiner—Mitchell Siegel

1 Claim, 5 Drawing Sheets



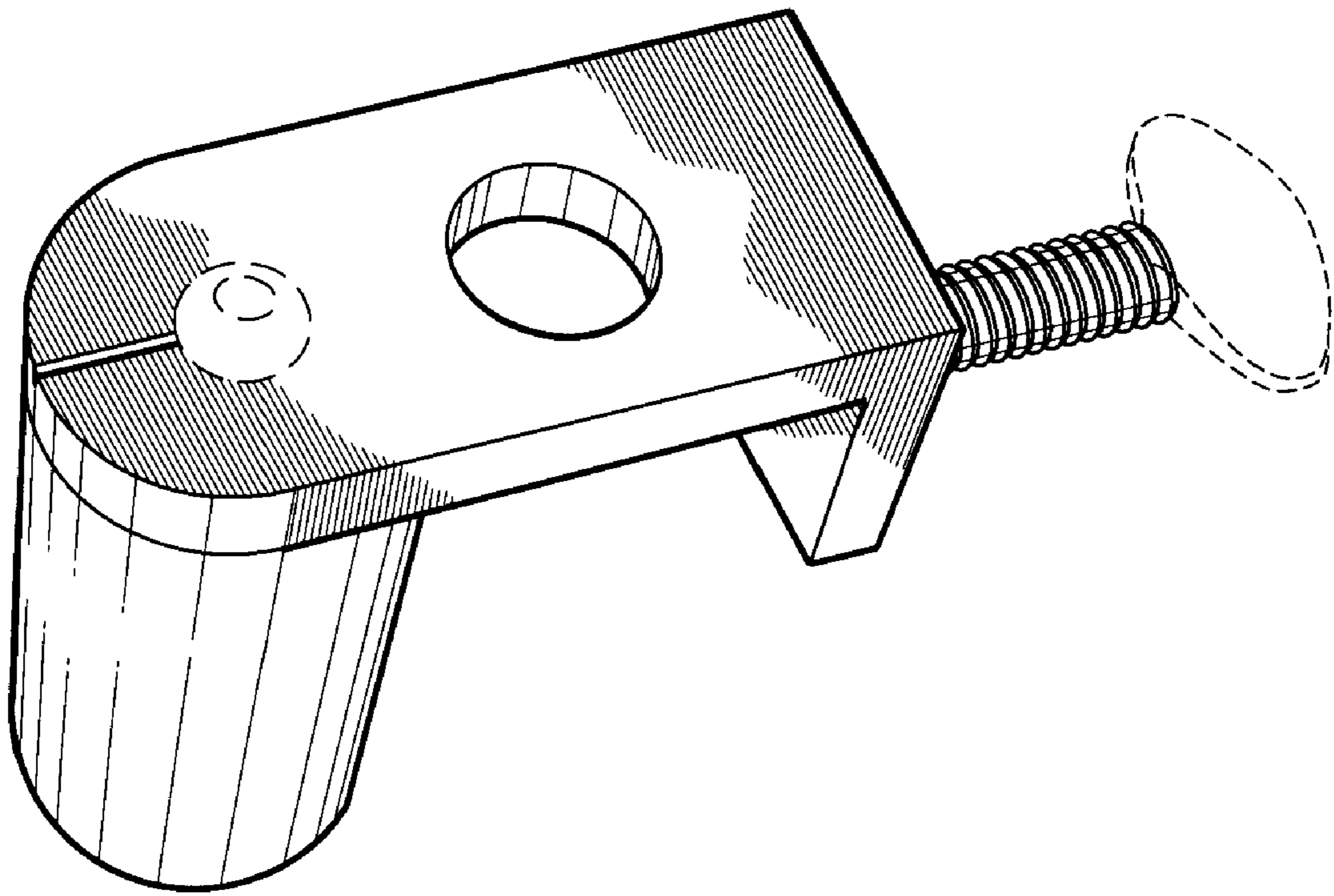


FIG. 1

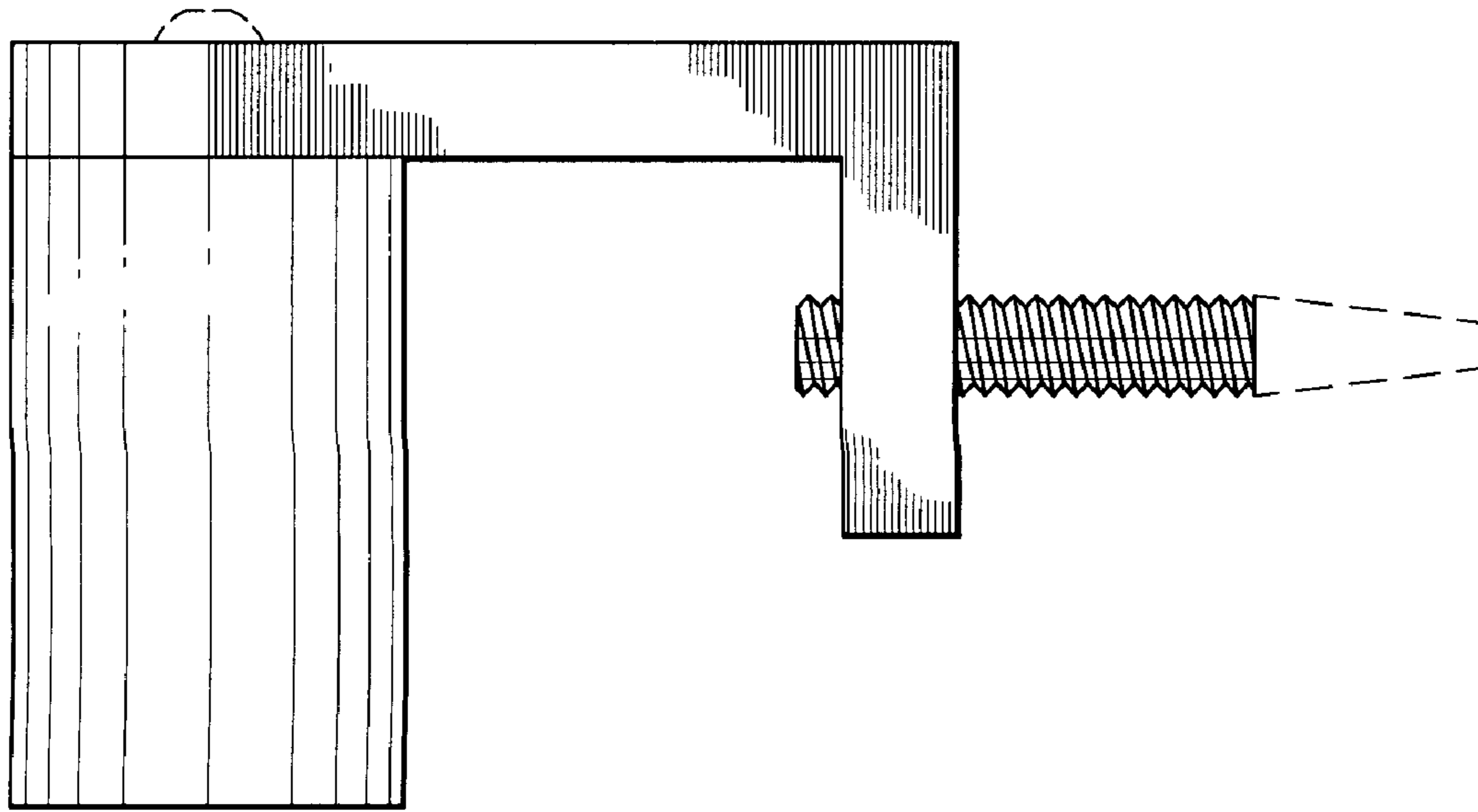


FIG. 2

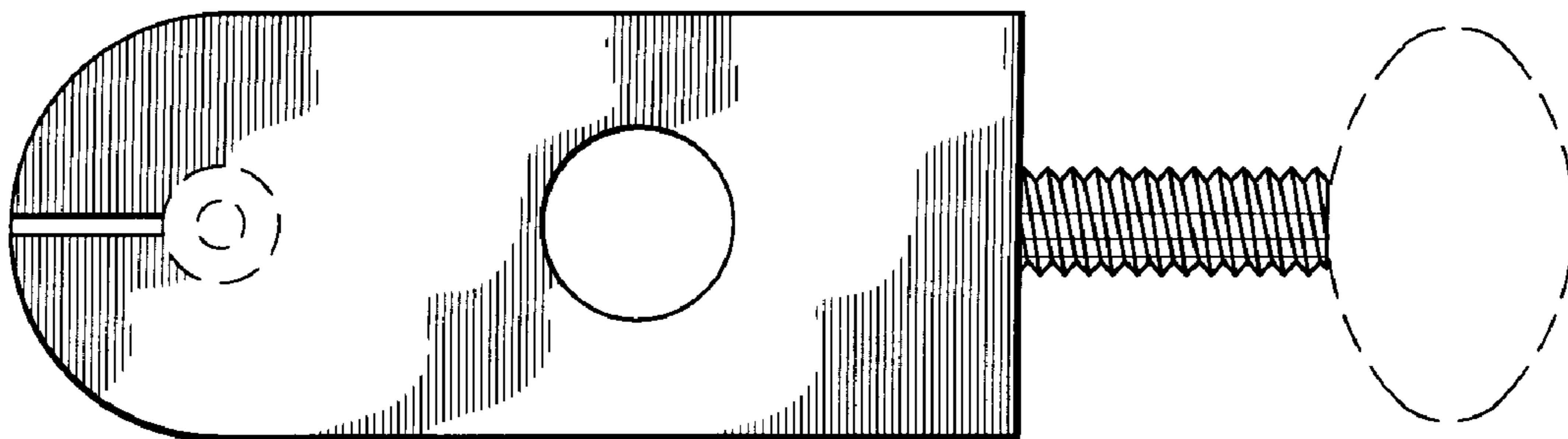


FIG. 3

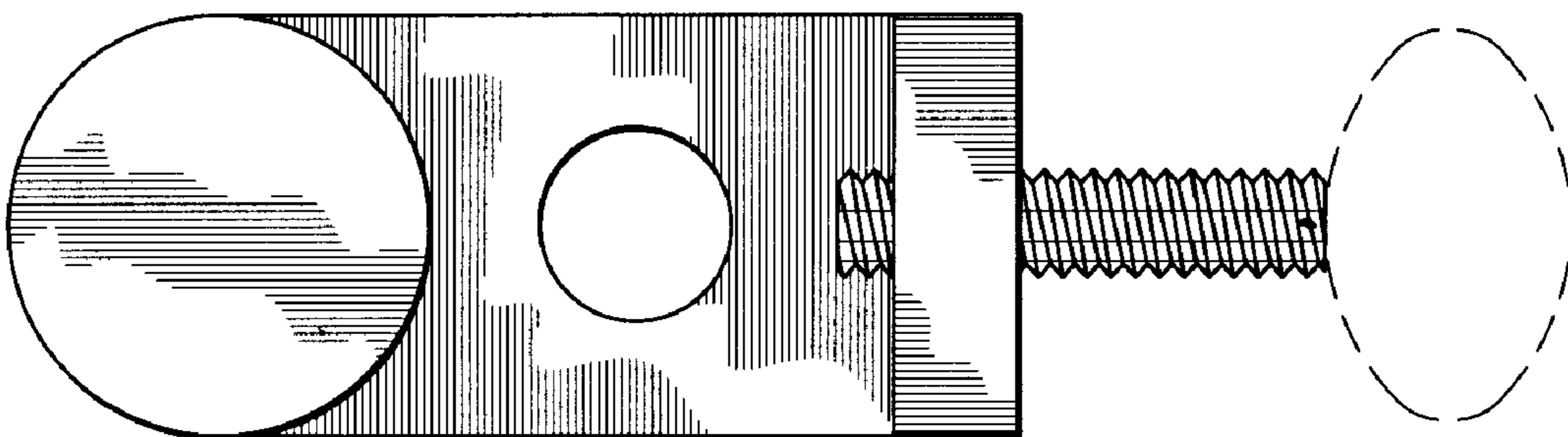


FIG. 4

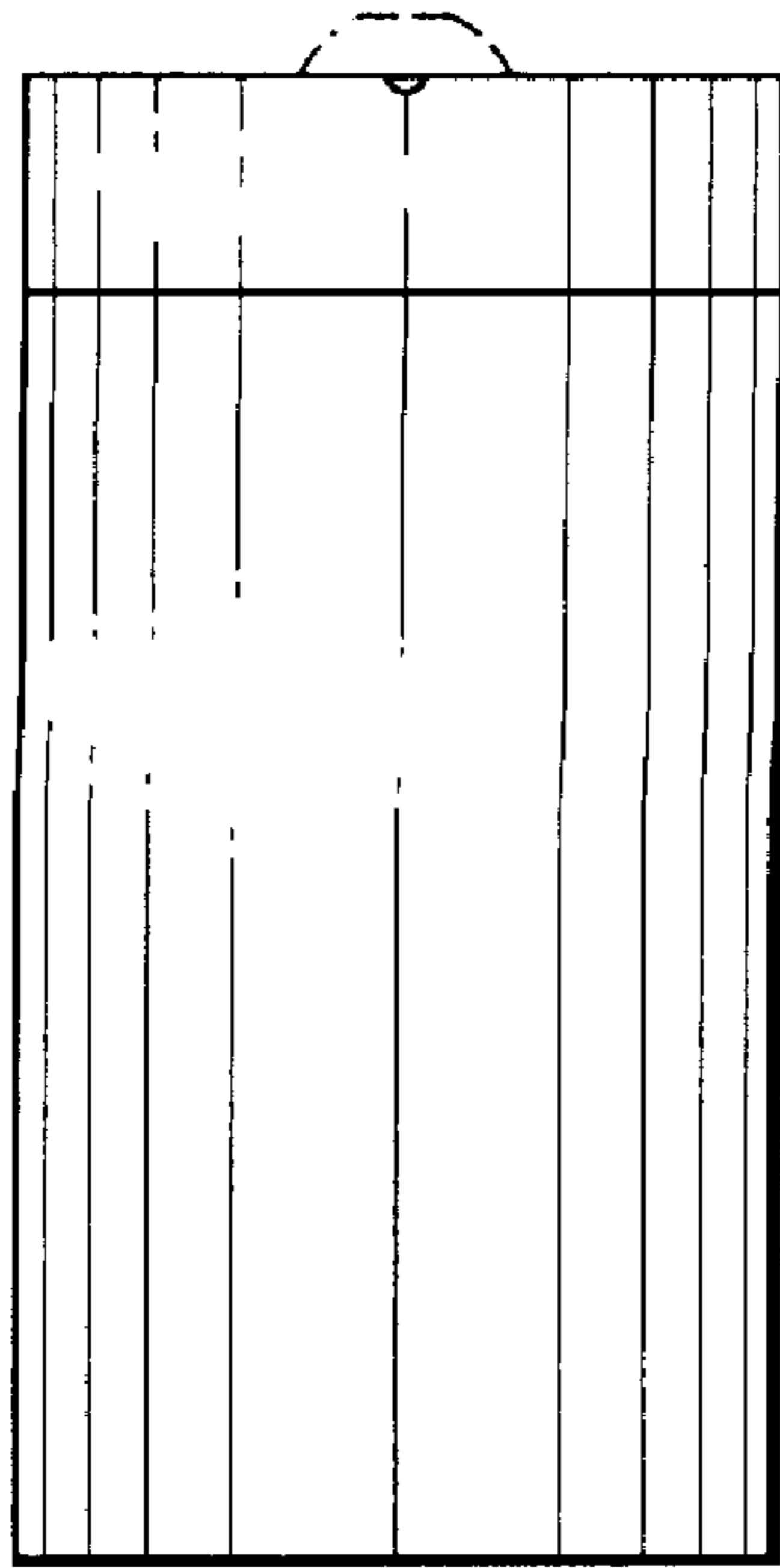


FIG. 5

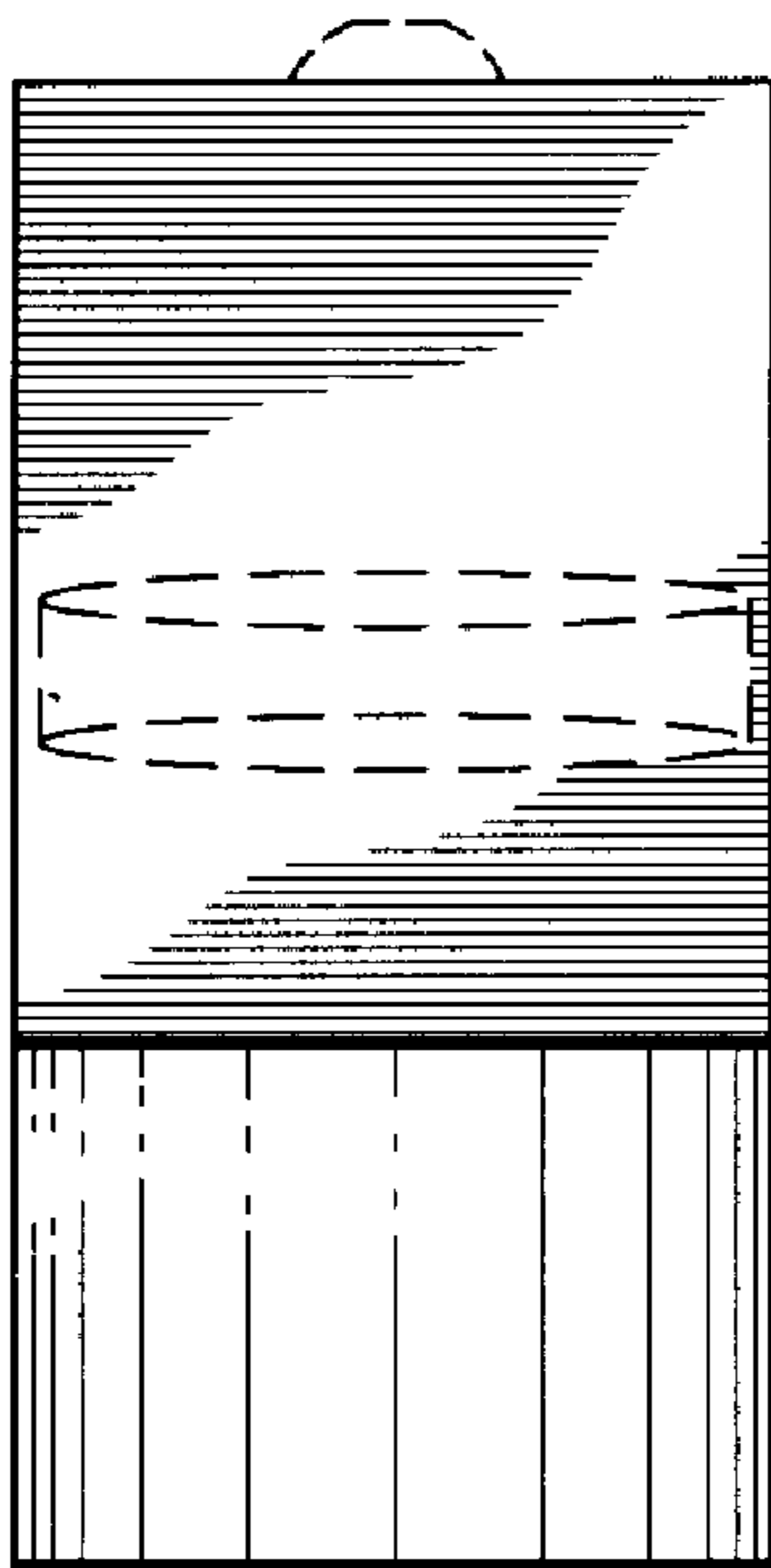


FIG. 6

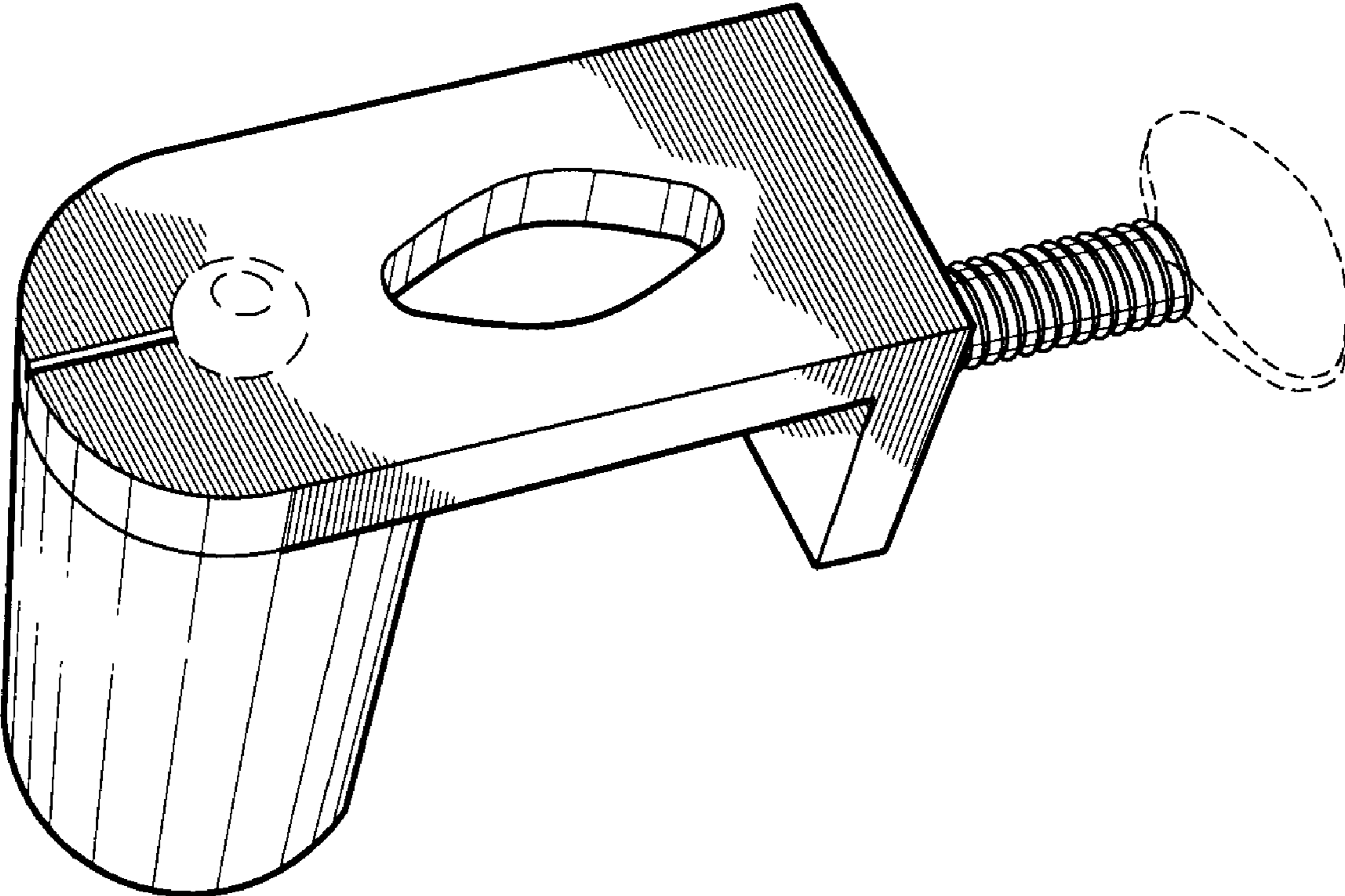


FIG. 7

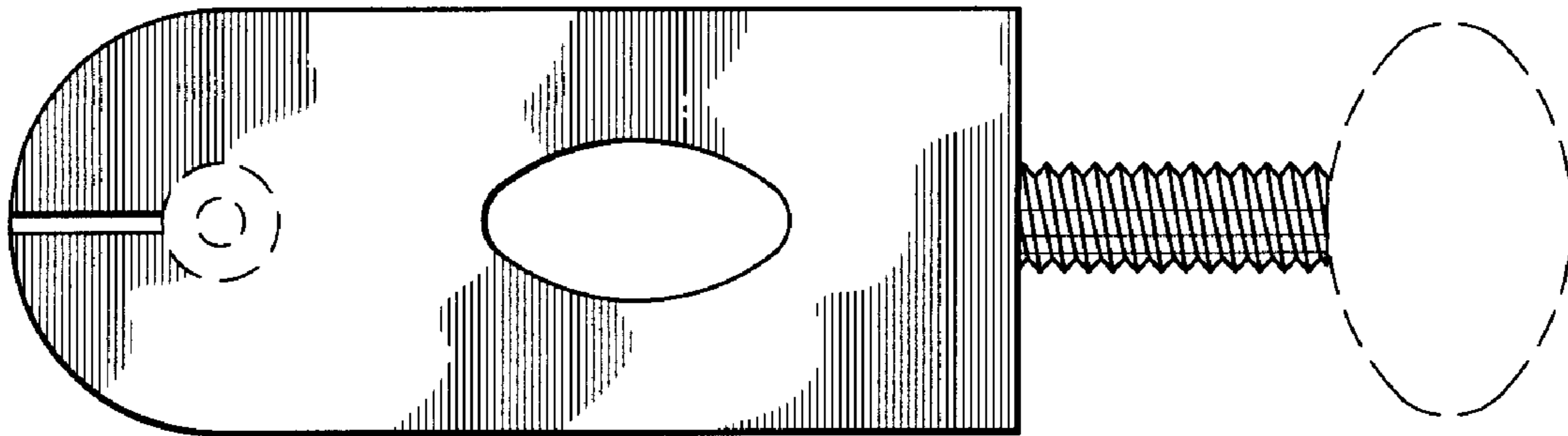


FIG. 8

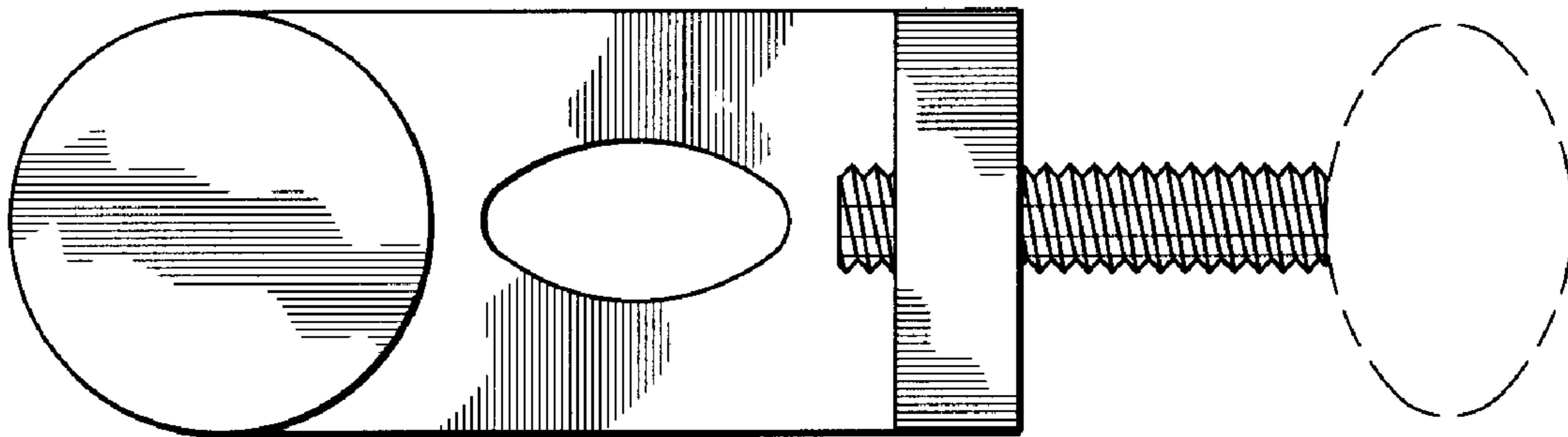


FIG. 9