



US00D548802S

(12) **United States Design Patent**
Damjan et al.

(10) **Patent No.:** **US D548,802 S**

(45) **Date of Patent:** **** Aug. 14, 2007**

(54) **ROULETTE GAME**

Primary Examiner—Sandra L. Morris

(75) Inventors: **Ursic Damjan**, Kamnik (SI); **Kolman Mitja**, Kranj (SI)

(74) *Attorney, Agent, or Firm*—Ziolkowski Patent Solutions Group, SC

(73) Assignee: **Icit d.o.o.**, Sempeter pri Gorici (SI)

(57) **CLAIM**

(**) Term: **14 Years**

The ornamental design for a roulette game, as shown and described.

(21) Appl. No.: **29/246,130**

(22) Filed: **Feb. 24, 2006**

DESCRIPTION

(30) **Foreign Application Priority Data**

Aug. 26, 2005 (SI) M-200550044

FIG. 1 is a perspective view of a roulette game in accordance with the present invention.

(51) **LOC (8) Cl.** **21-03**

FIG. 2 is a side elevational view of the roulette game of FIG. 1.

(52) **U.S. Cl.** **D21/375**

(58) **Field of Classification Search** D21/369,
D21/374–375, 385; 273/138.1, 139, 142 R,
273/309

FIG. 3 is a perspective view of a roulette game in accordance with another embodiment of the present invention.

See application file for complete search history.

FIG. 4 is a side elevational view of the roulette game of FIG. 3.

(56) **References Cited**

FIG. 5 is a side view of a roulette game, in accordance with a further embodiment of the present invention; and,

U.S. PATENT DOCUMENTS

FIG. 6 is a perspective view of the roulette game of FIG. 5.

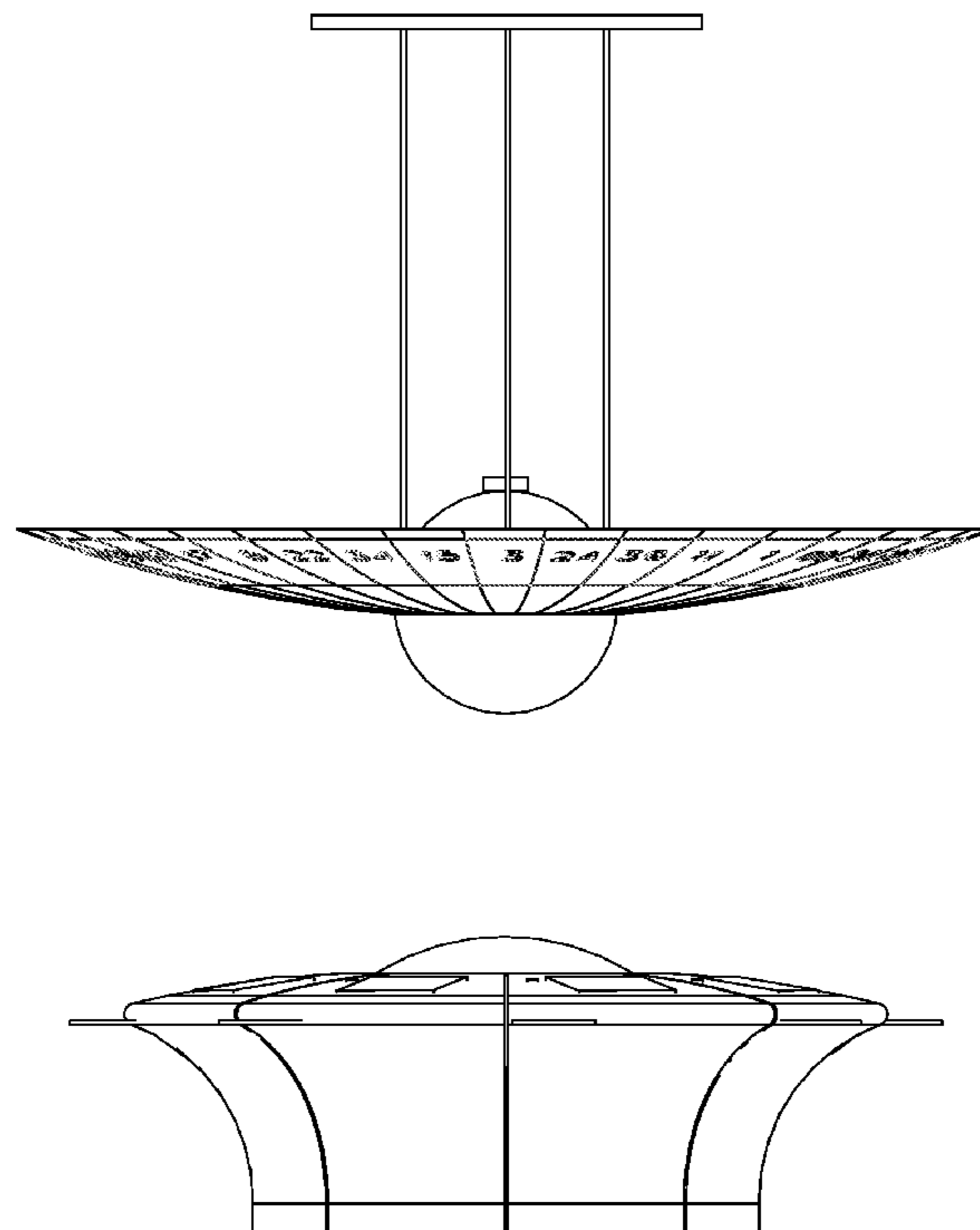
- D171,401 S * 2/1954 Kaminsky D21/375
- D378,930 S * 4/1997 Nobata et al. D21/369
- 5,879,235 A * 3/1999 Kaneko et al. 273/142 R
- 6,164,646 A * 12/2000 Uehara et al. 273/142 R
- D458,310 S * 6/2002 Lynch D21/369
- D523,093 S * 6/2006 Kaminkow et al. D21/369
- D532,831 S * 11/2006 Baerlocher et al. D21/385

The broken line showing of the indicia in FIGS. 2, 4 and 5 is for illustrative purposes only, and forms no part of the claimed design.

The bottoms of the roulette games shown in the figures are unornamented and form no part of the claimed invention.

* cited by examiner

1 Claim, 6 Drawing Sheets



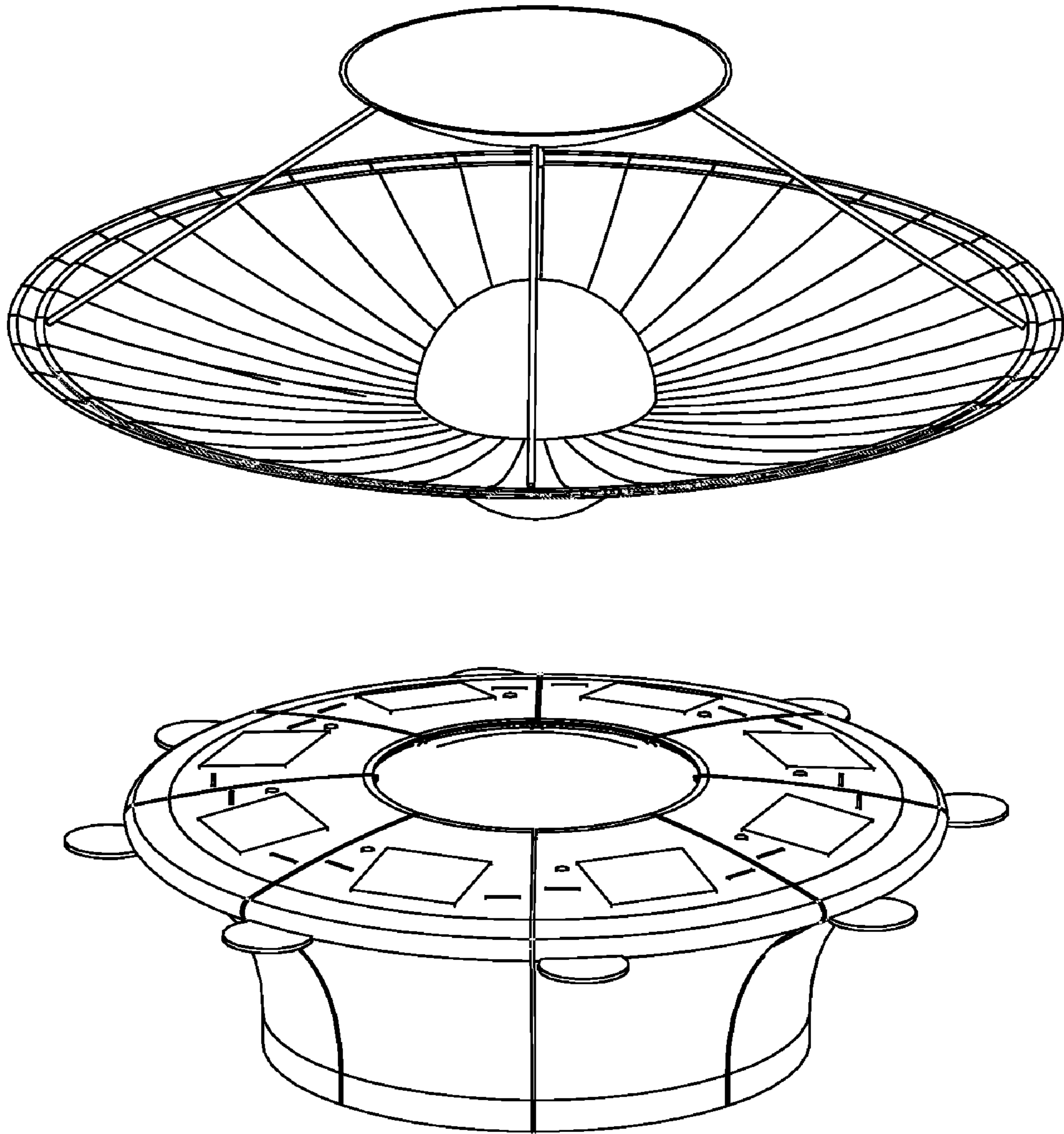


FIG. 1

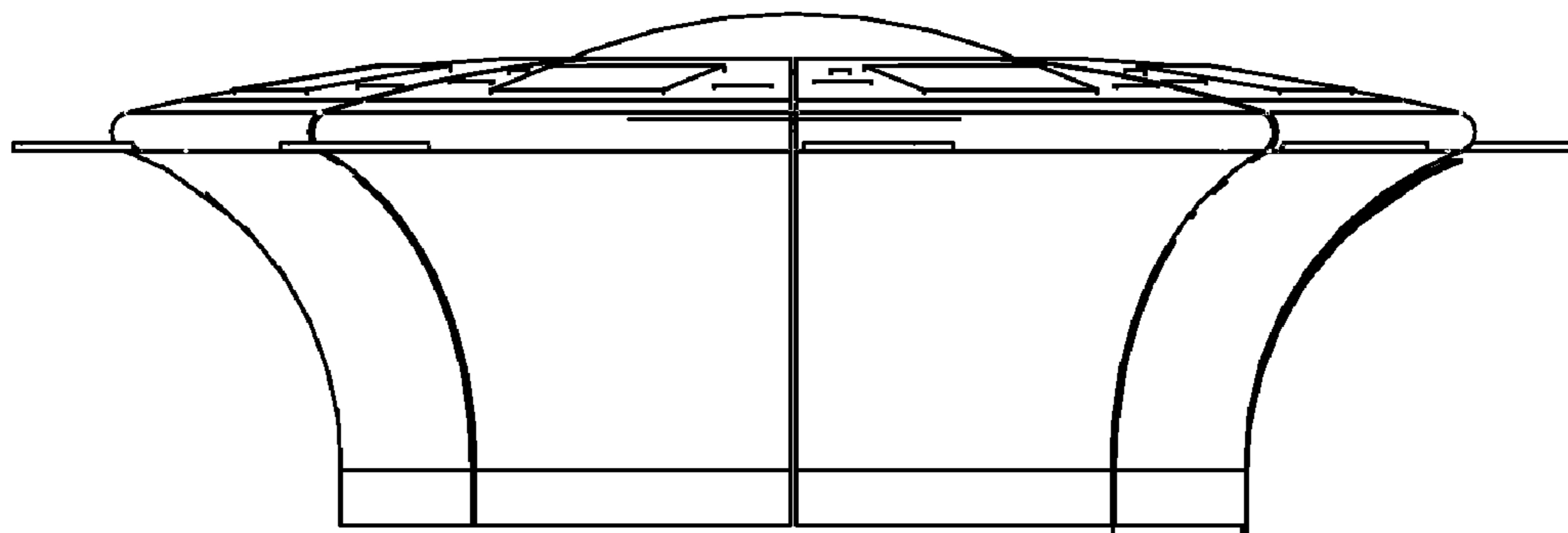
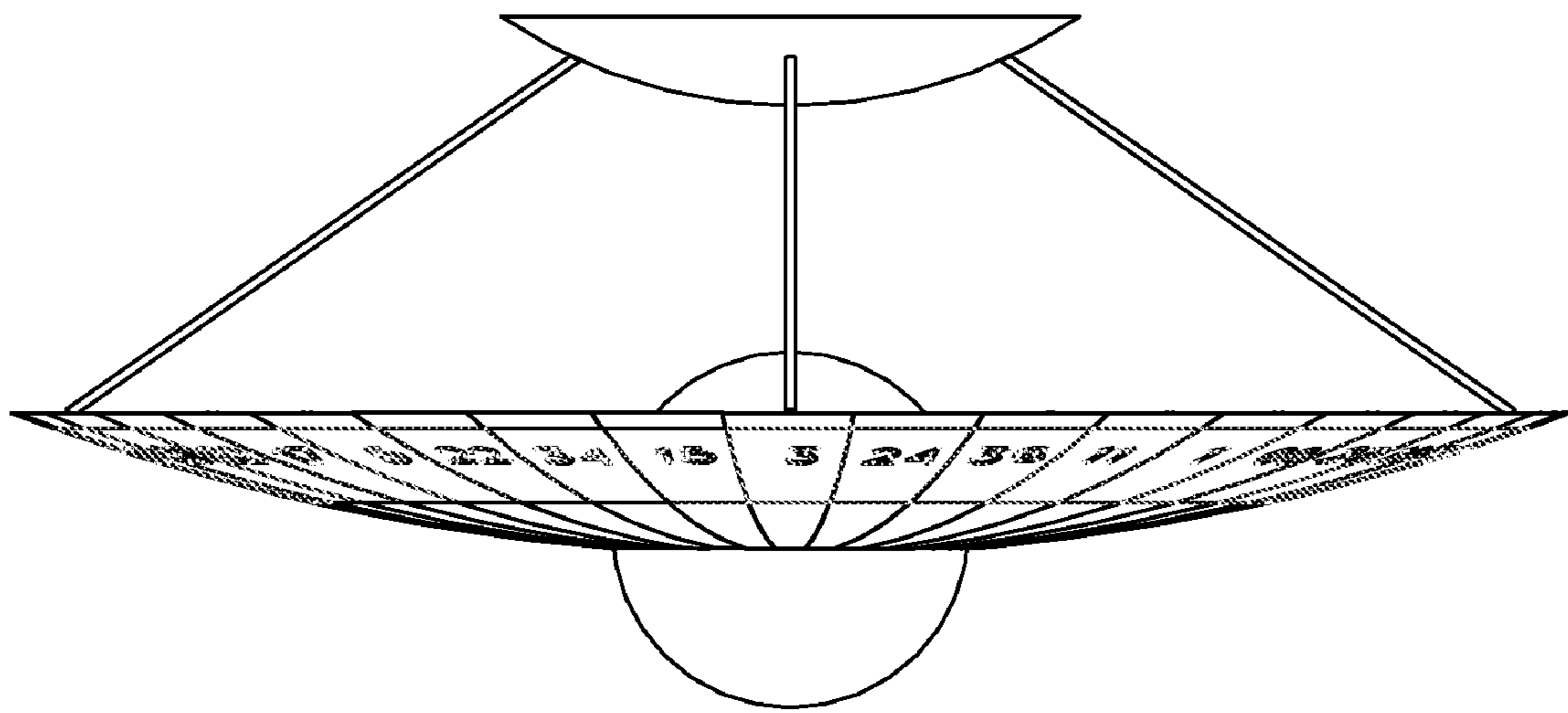


FIG. 2

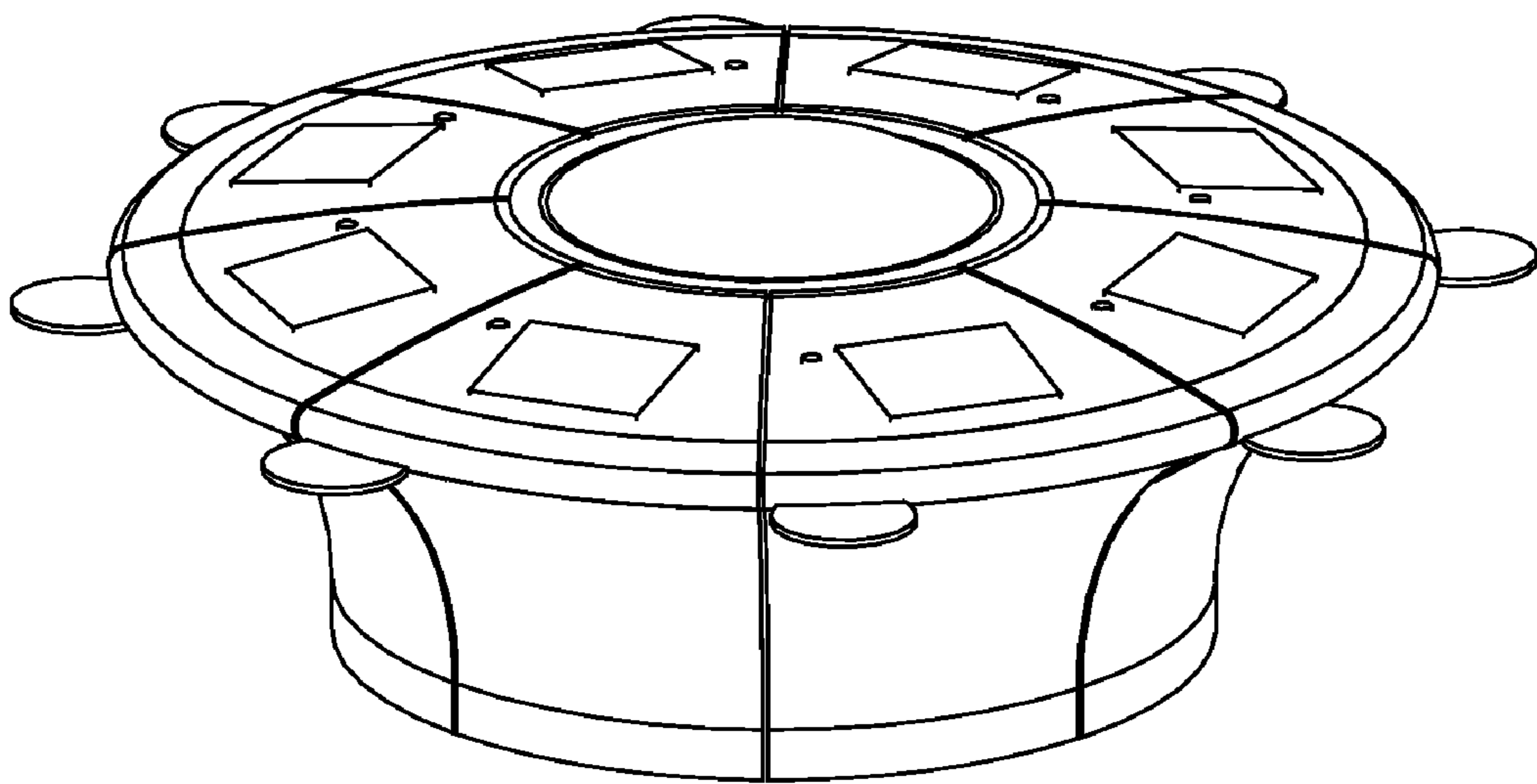
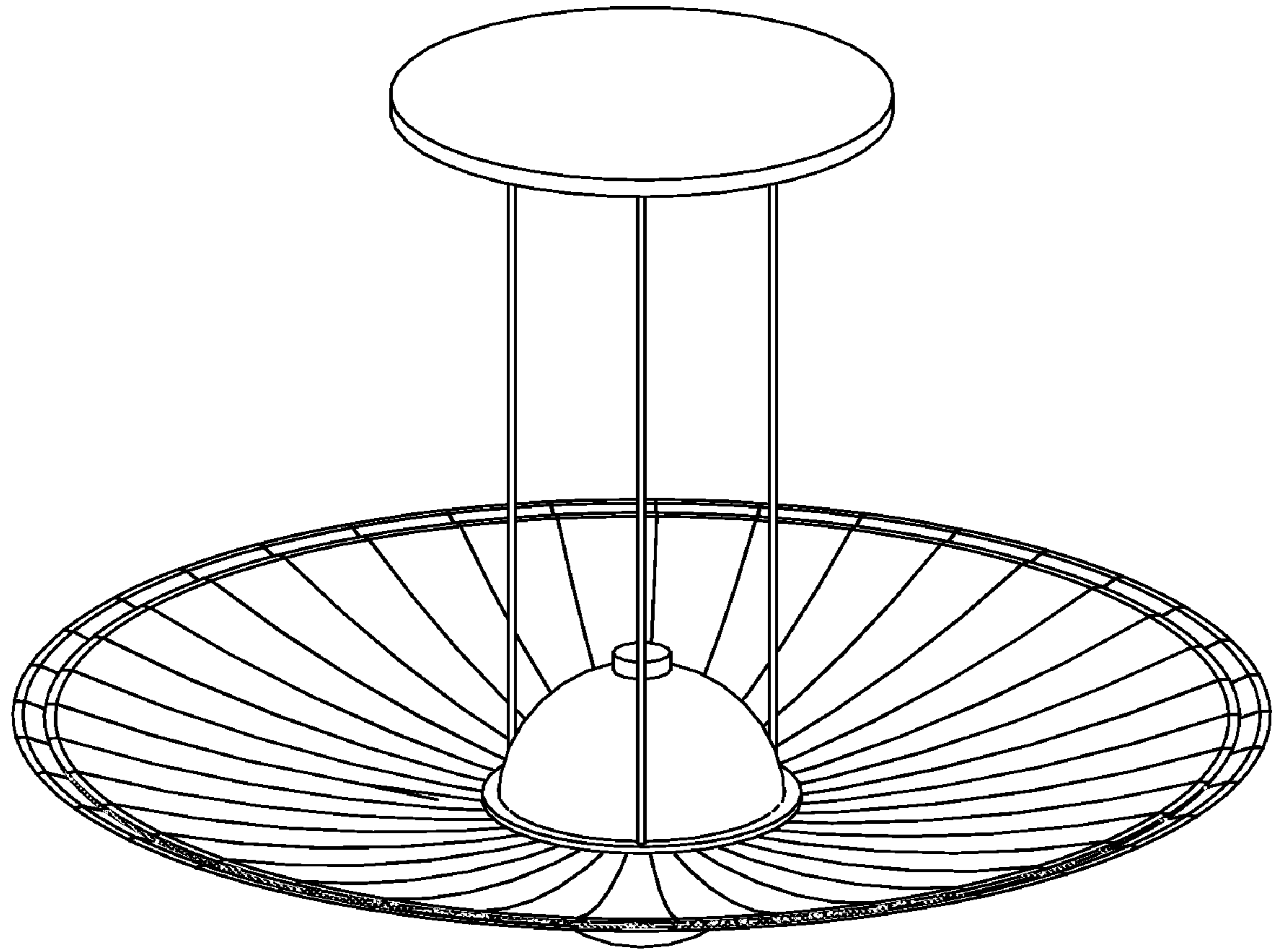


FIG. 3

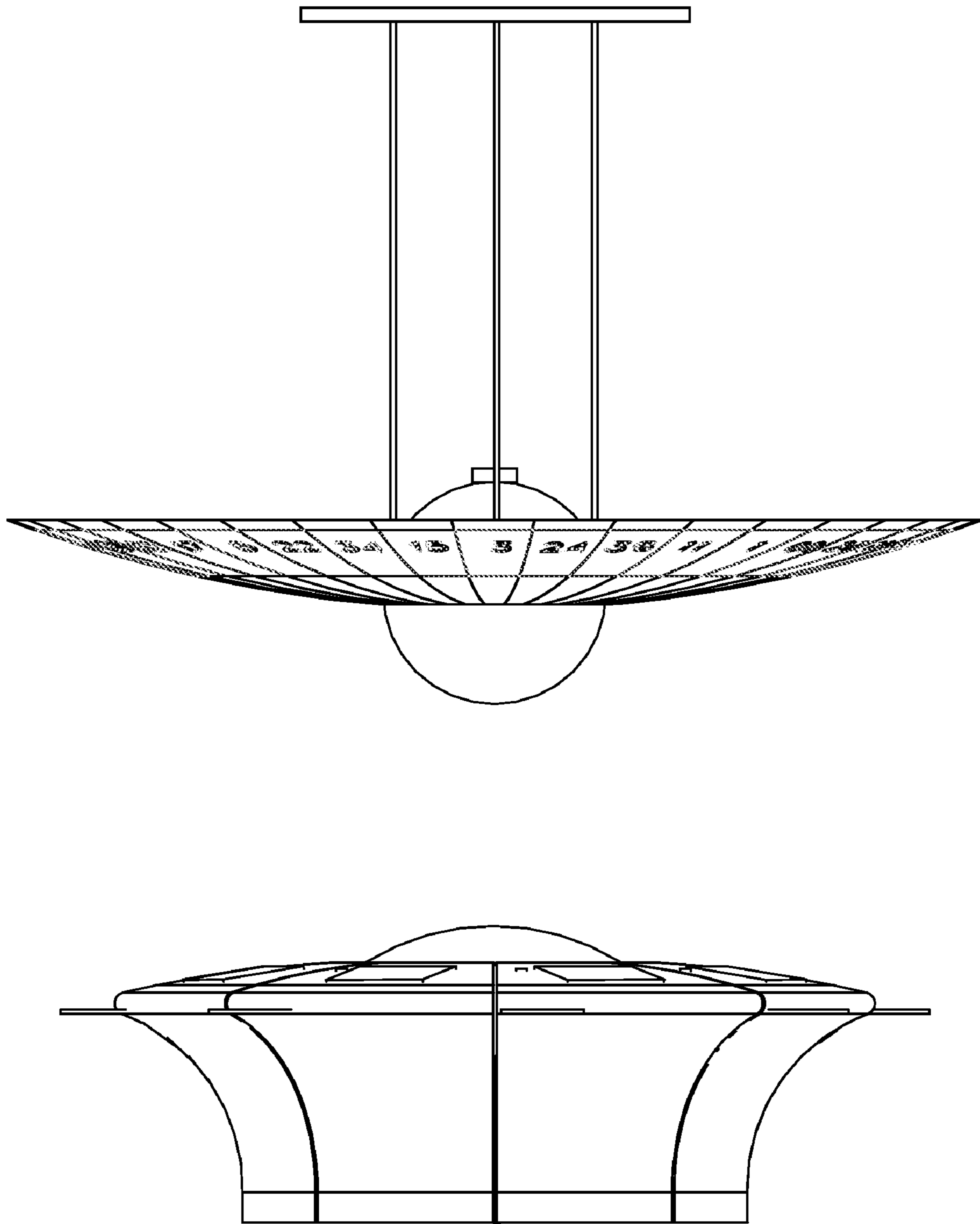


FIG. 4

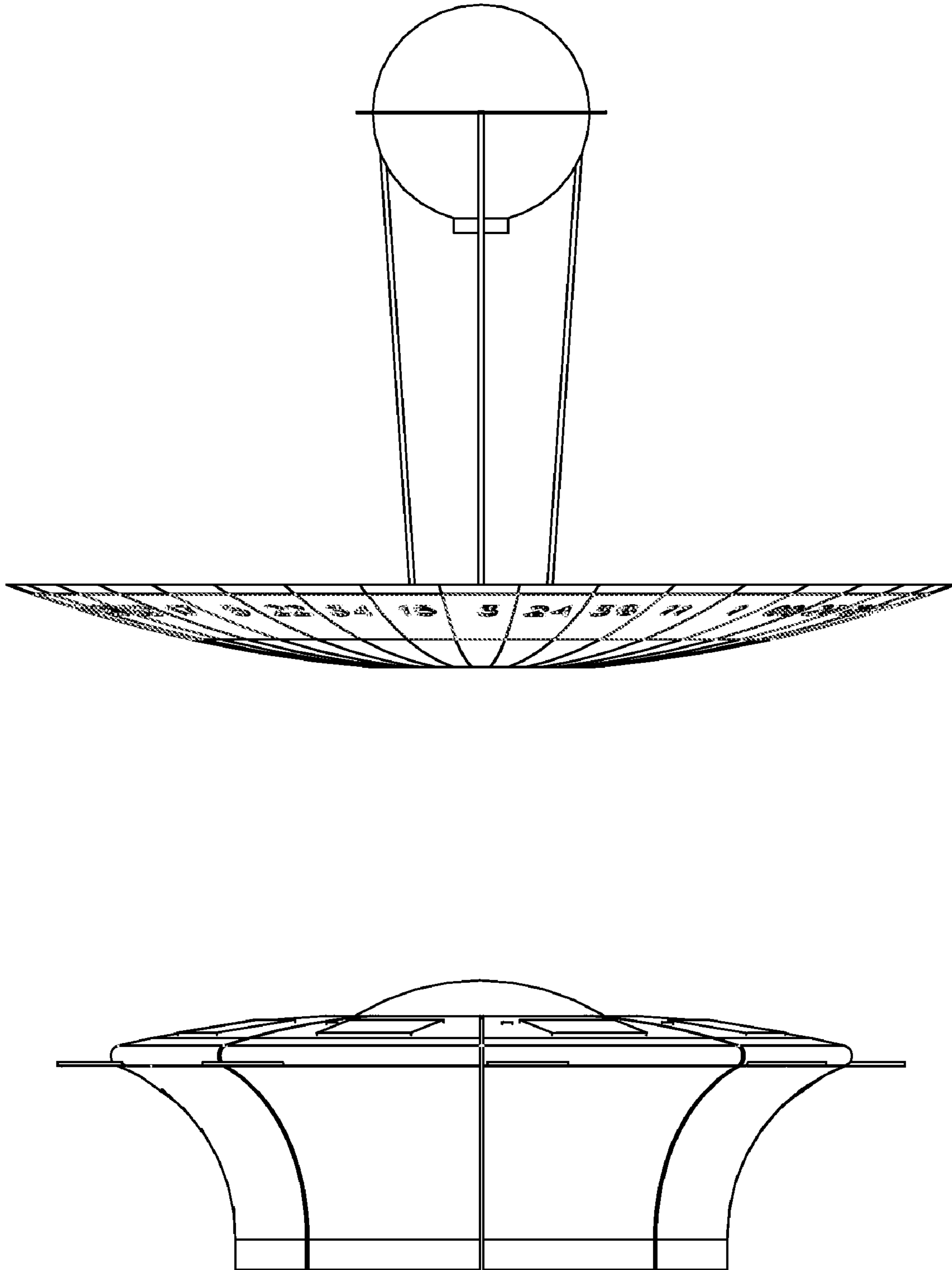


FIG. 5

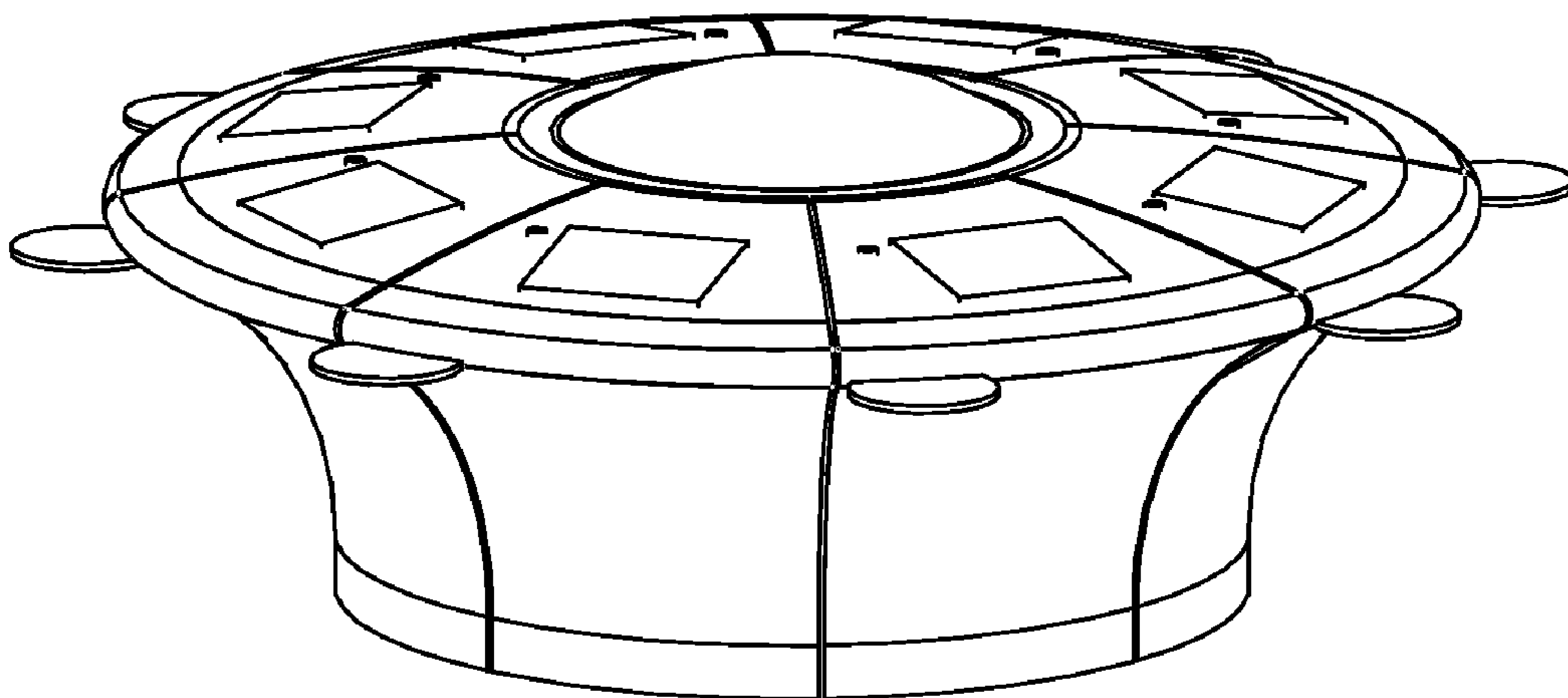
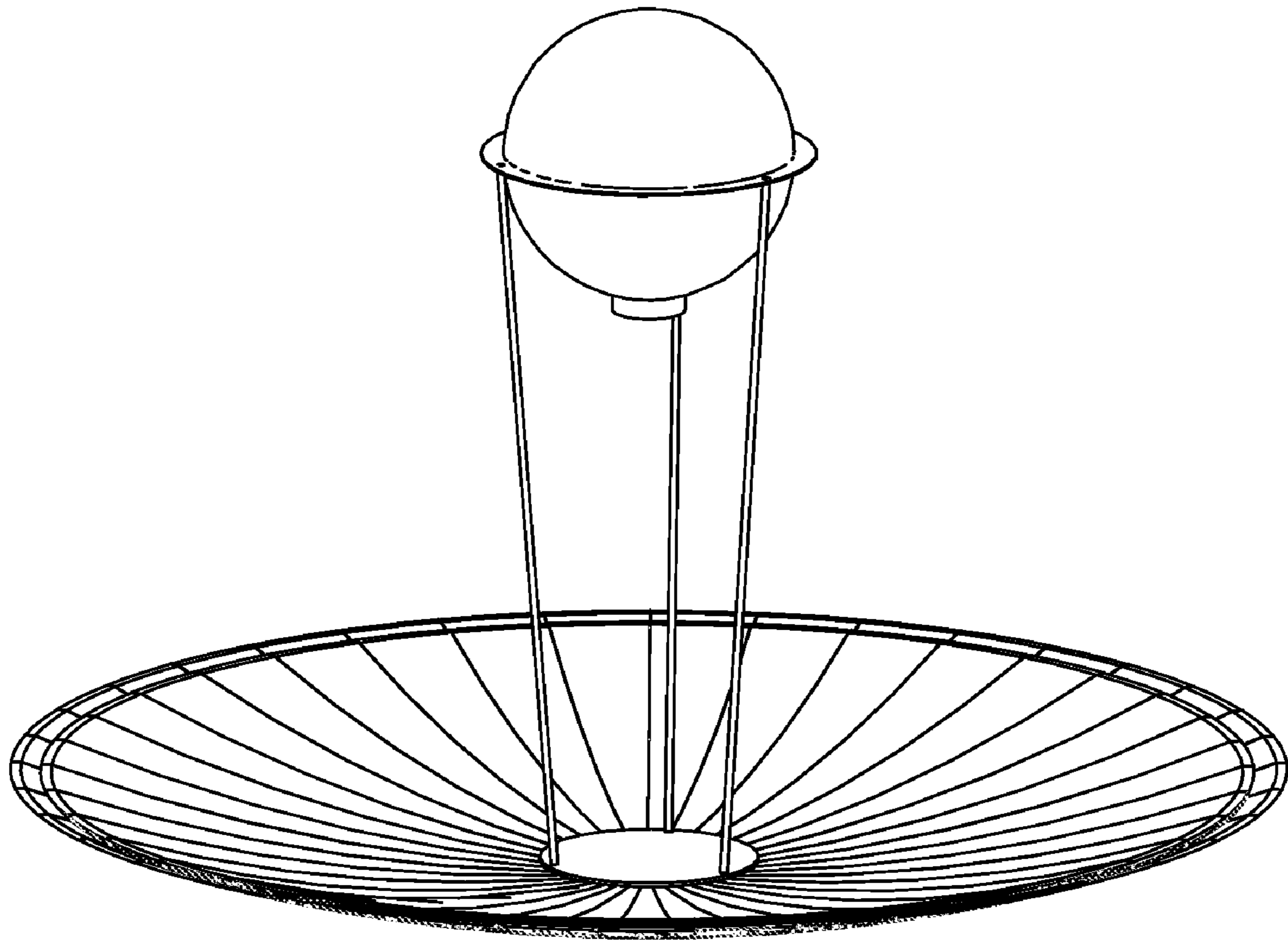


FIG. 6