

US00D548782S

(12) **United States Design Patent**
Nash

(10) **Patent No.:** **US D548,782 S**

(45) **Date of Patent:** **** Aug. 14, 2007**

(54) **COLOR SAMPLE BOOK**

(75) Inventor: **Jackie Nash**, London (GB)

(73) Assignee: **Silfox Holding GmbH**, Emsdetten (DE)

(**) Term: **14 Years**

(21) Appl. No.: **29/223,031**

(22) Filed: **Feb. 9, 2005**

(51) **LOC (8) Cl.** **19-04**

(52) **U.S. Cl.** **D19/26**

(58) **Field of Classification Search** D19/26-33;
281/15.1, 19.1, 21.1, 22, 29, 38, 47, 51; 283/63.1,
283/64, 114; 434/98, 84, 97, 103; 40/124.06,
40/124.09, 124.13, 124.16; 206/223, 575,
206/577; 356/421

See application file for complete search history.

(56) **References Cited**

U.S. PATENT DOCUMENTS

1,618,664	A *	2/1927	Kern	206/81
1,957,816	A *	5/1934	Braeg	434/98
2,732,874	A *	1/1956	Carstensen	150/147
3,059,362	A *	10/1962	Scherotto	40/610
3,363,349	A *	1/1968	Nelson	40/391
3,434,227	A *	3/1969	Brown, Jr.	434/98
D276,243	S *	11/1984	Brucoli	D19/26
D334,587	S *	4/1993	Steinert	D19/26
D376,176	S *	12/1996	Buraczynski	D19/26
D427,632	S *	7/2000	McNeil	D19/33
6,270,123	B1 *	8/2001	Spangler	283/114
D482,207	S *	11/2003	Richardson et al.	D6/396

D485,466	S *	1/2004	Haruhiro	D6/629
6,717,674	B2 *	4/2004	Ohkubo	356/421
2005/0140691	A1 *	6/2005	Rice	345/593
2006/0070895	A1 *	4/2006	Khawaja	206/223

FOREIGN PATENT DOCUMENTS

DE	1876851	8/1963
DE	1782645	10/1971
DE	29510090	11/1995
DE	29618252	4/1997
DE	29920339	3/2000
DE	20019409	4/2001

OTHER PUBLICATIONS

U.S. Appl. No. 11/052,953 (P26670) in the name of Nash, filed on Feb. 9, 2005.

* cited by examiner

Primary Examiner—Elizabeth A. Albert

(74) *Attorney, Agent, or Firm*—Greenblum & Bernstein, P.L.C.

(57) **CLAIM**

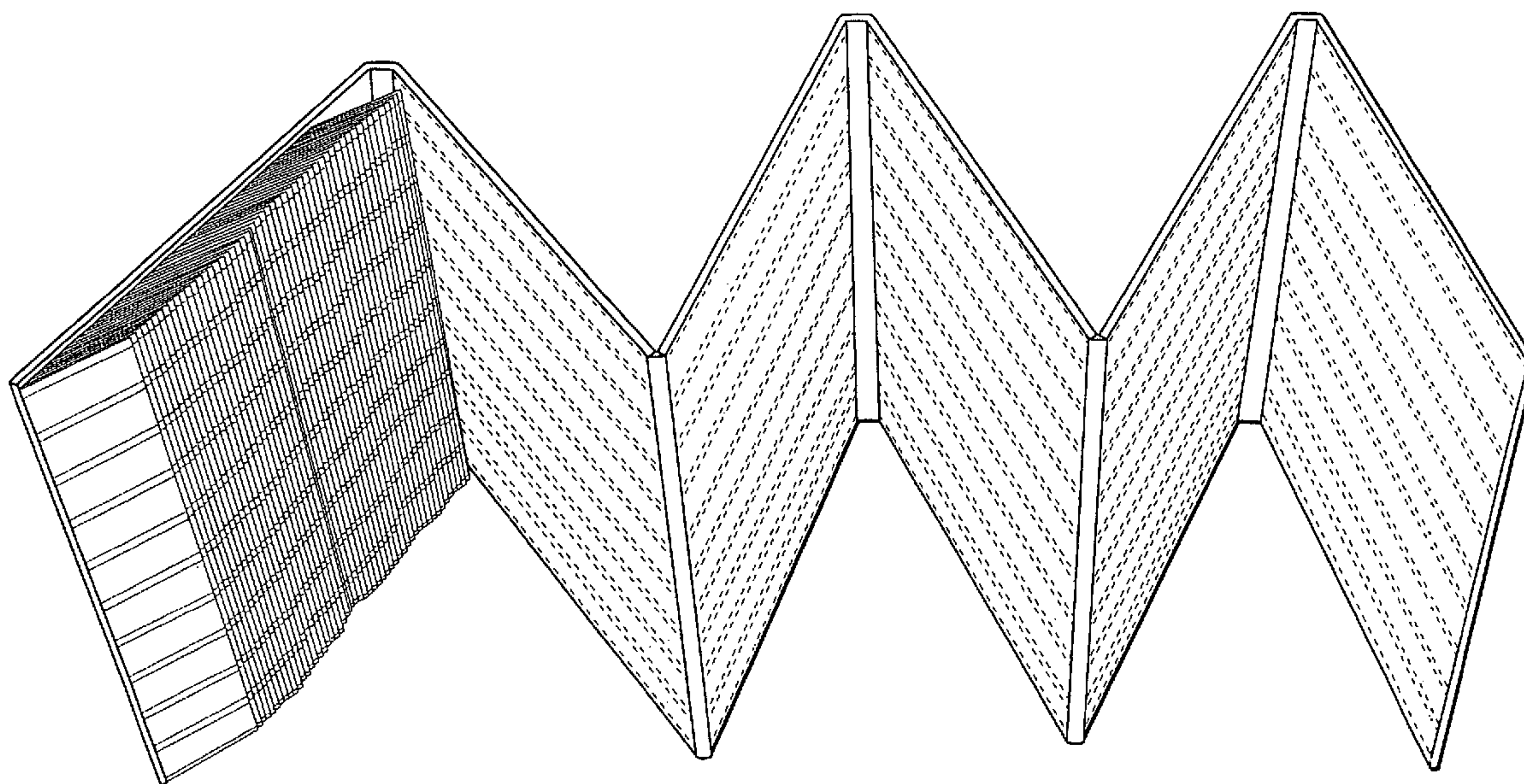
I claim the ornamental design for a color sample book, as shown and described.

DESCRIPTION

FIG. 1 is a top/front side perspective view of the color sample book in a partially unfolded state; and,

FIG. 2 is another top/front side perspective view of FIG. 1 in a partially folded state.

1 Claim, 2 Drawing Sheets



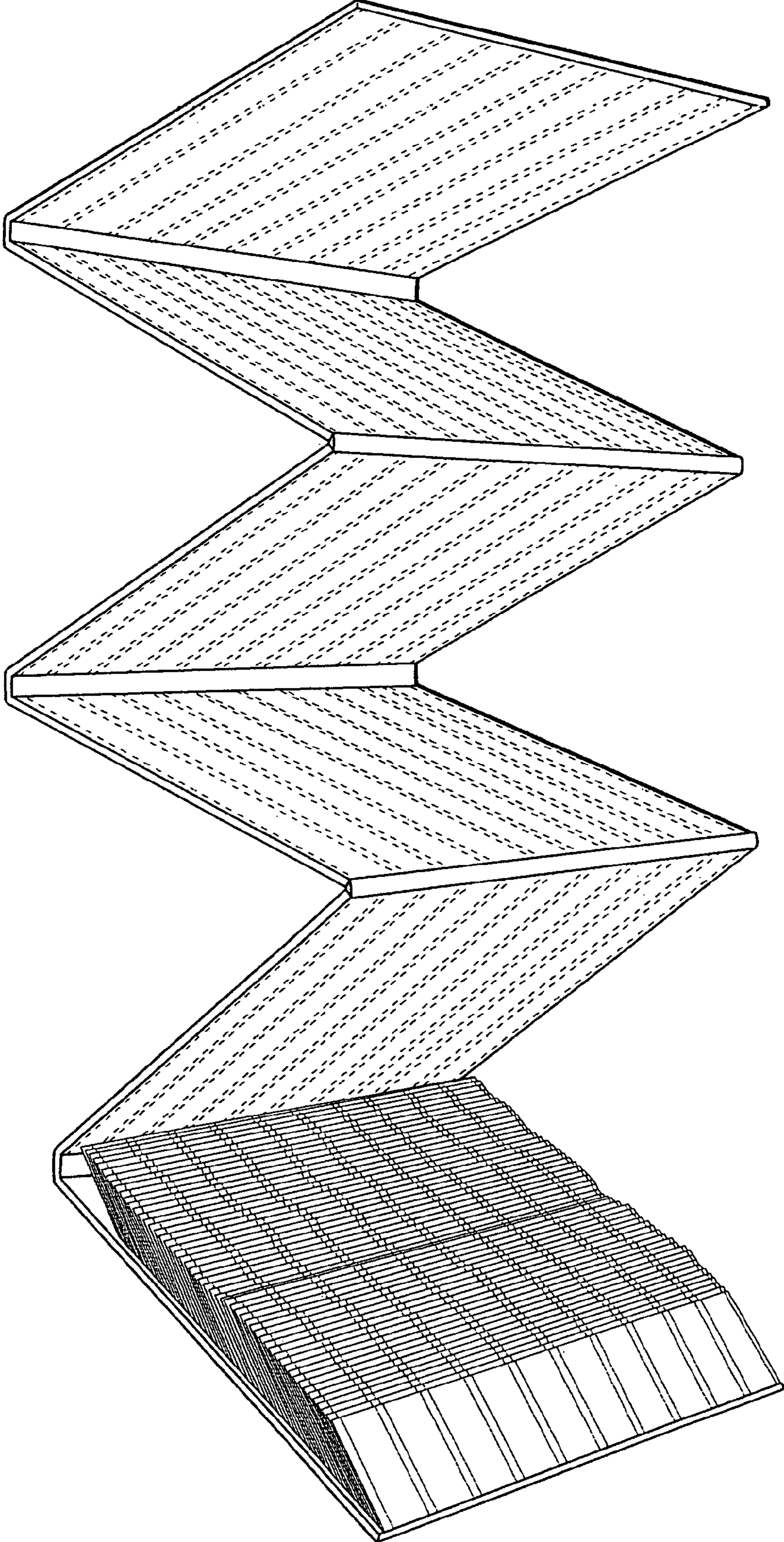


FIG. 1

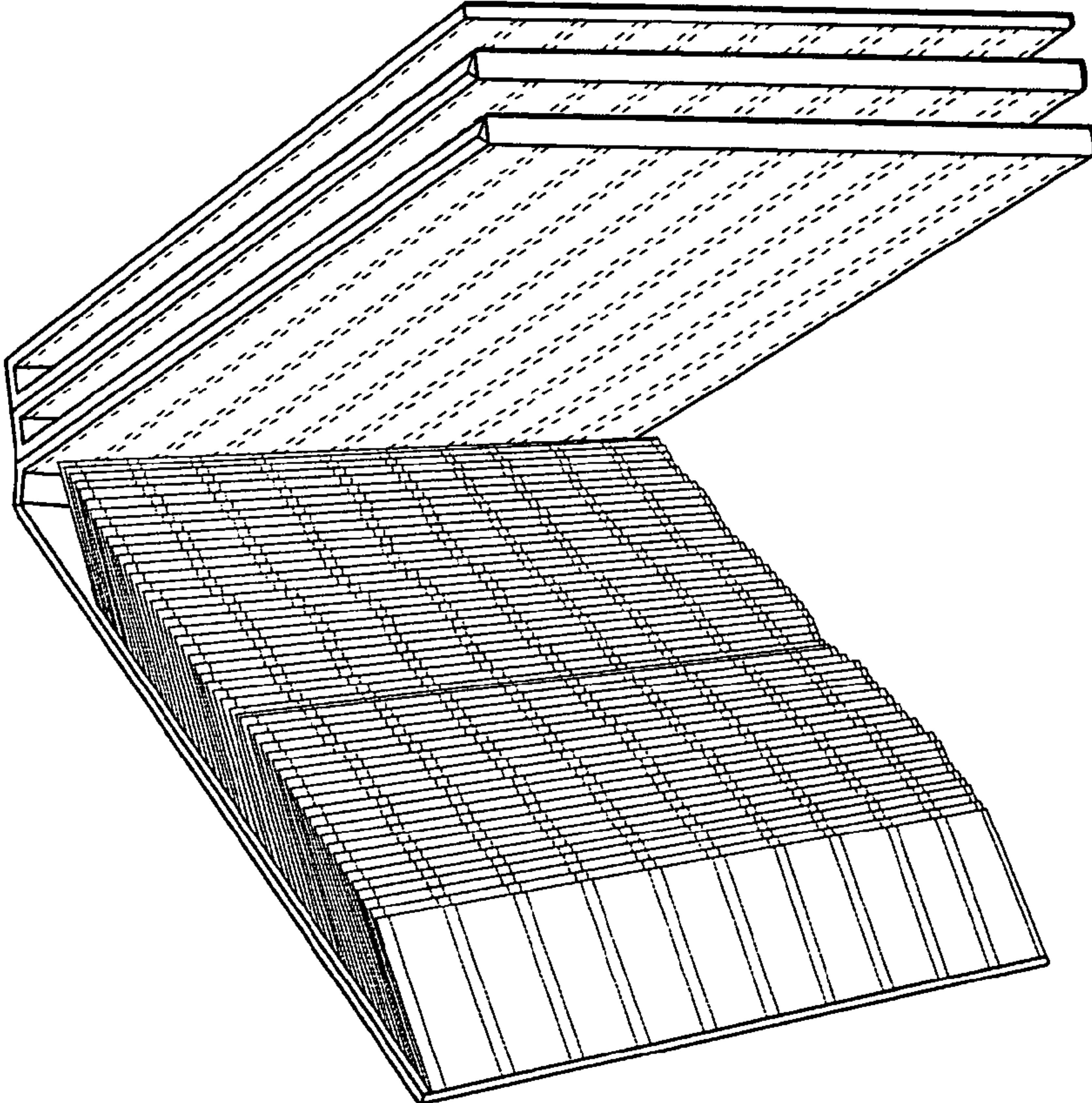


FIG. 2