

US00D548780S

(12) **United States Design Patent**  
**Hayashi et al.**

(10) **Patent No.:** **US D548,780 S**

(45) **Date of Patent:** **\*\* Aug. 14, 2007**

(54) **INK TANK FOR PRINTER**

(75) Inventors: **Hiroki Hayashi**, Yokohama (JP); **Kenji Kitabatake**, Kawasaki (JP); **Hiroyuki Fukushima**, Tokyo (JP); **Yutaka Koizumi**, Yokohama (JP)

(73) Assignee: **Canon Kabushiki Kaisha**, Tokyo (JP)

(\*\*) Term: **14 Years**

(21) Appl. No.: **29/262,661**

(22) Filed: **Jul. 10, 2006**

(30) **Foreign Application Priority Data**

Jan. 26, 2006 (JP) ..... 2006-001643

(51) **LOC (8) Cl.** ..... **18-02**

(52) **U.S. Cl.** ..... **D18/56; 347/86**

(58) **Field of Classification Search** ..... D18/40,  
D18/43, 56; D14/481; 347/20, 29, 33, 49-50,  
347/86-87

See application file for complete search history.

(56) **References Cited**

**U.S. PATENT DOCUMENTS**

5,534,899 A \* 7/1996 Uchikata et al. .... 347/49

D493,821 S \* 8/2004 Matsuo et al. .... D18/56  
D529,084 S \* 9/2006 Myers et al. .... D18/56  
2005/0270347 A1\* 12/2005 Yamamoto ..... 347/86

\* cited by examiner

*Primary Examiner*—Cathy Anne MacCormac

(74) *Attorney, Agent, or Firm*—Fitzpatrick, Cella, Harper & Scinto

(57) **CLAIM**

The ornamental design for an ink tank for printer, as shown and described.

**DESCRIPTION**

FIG. 1 is a front view of an ink tank for printer showing our new design;

FIG. 2 is a rear view thereof;

FIG. 3 is a top plan view thereof;

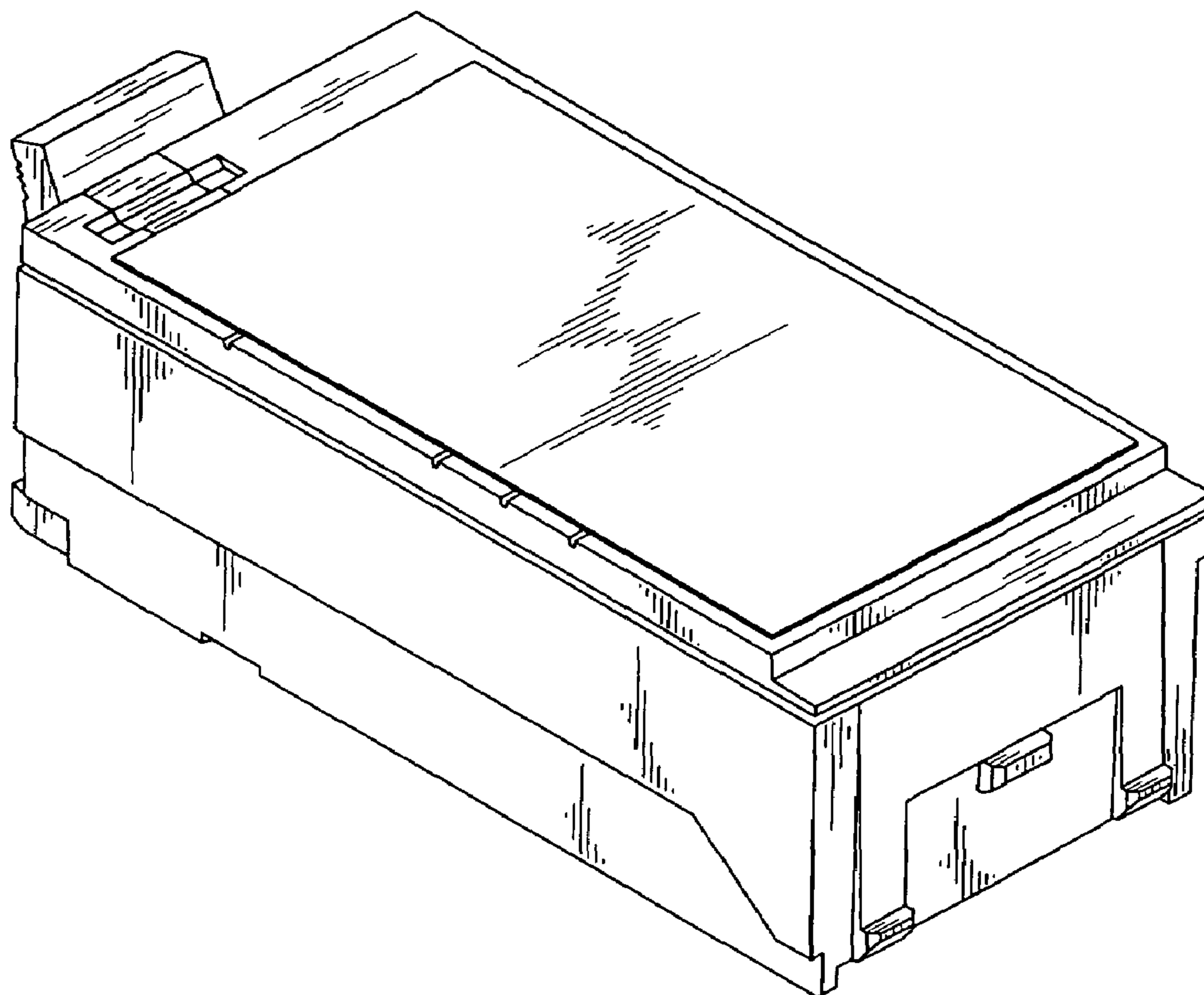
FIG. 4 is a bottom plan view thereof;

FIG. 5 is a left side view thereof;

FIG. 6 is a right side view thereof; and,

FIG. 7 is a perspective view thereof.

**1 Claim, 4 Drawing Sheets**



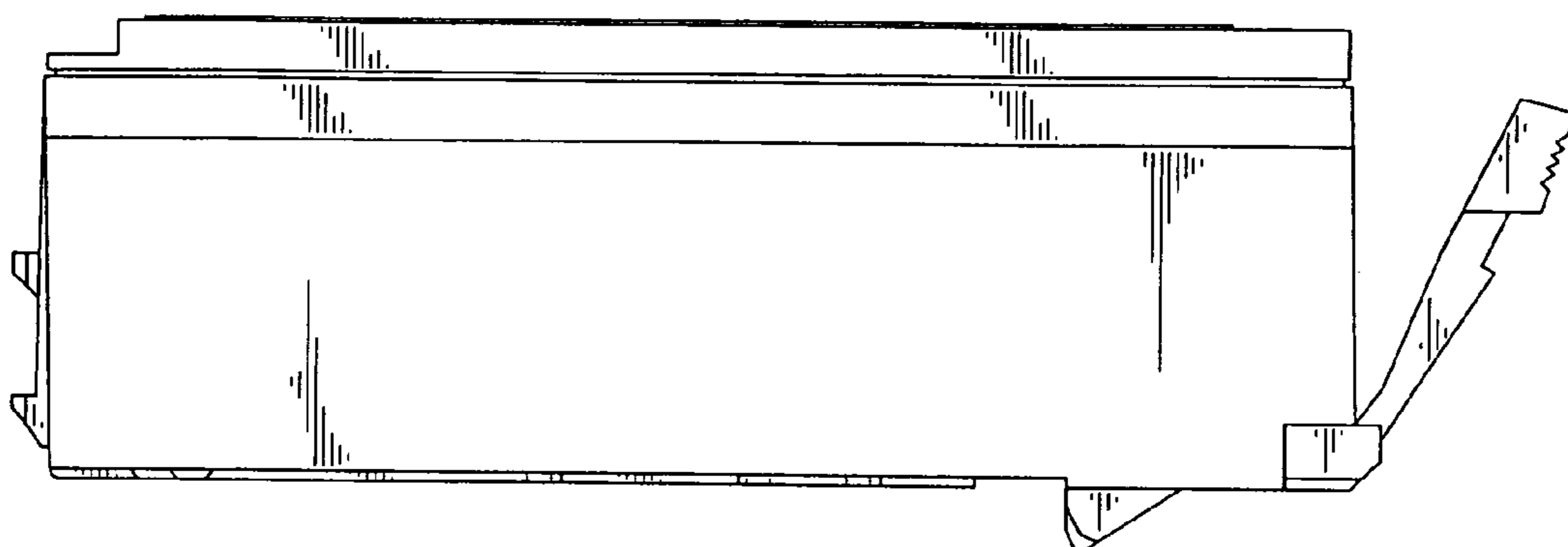


FIG. 1

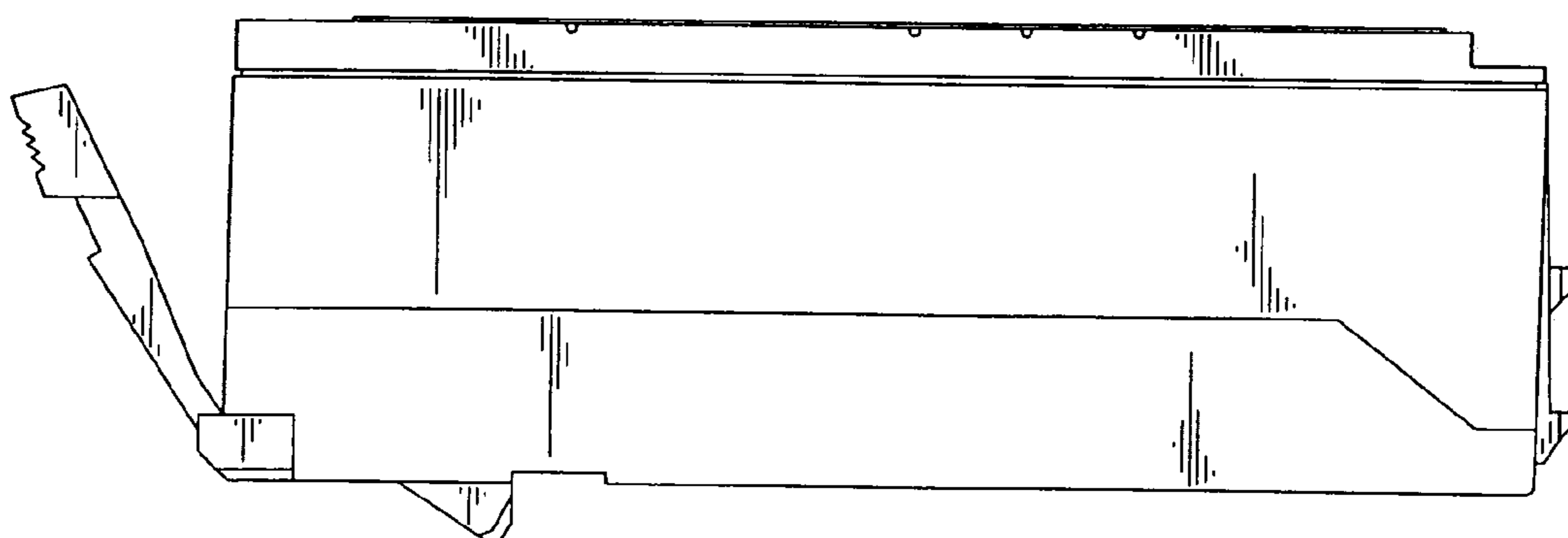


FIG. 2

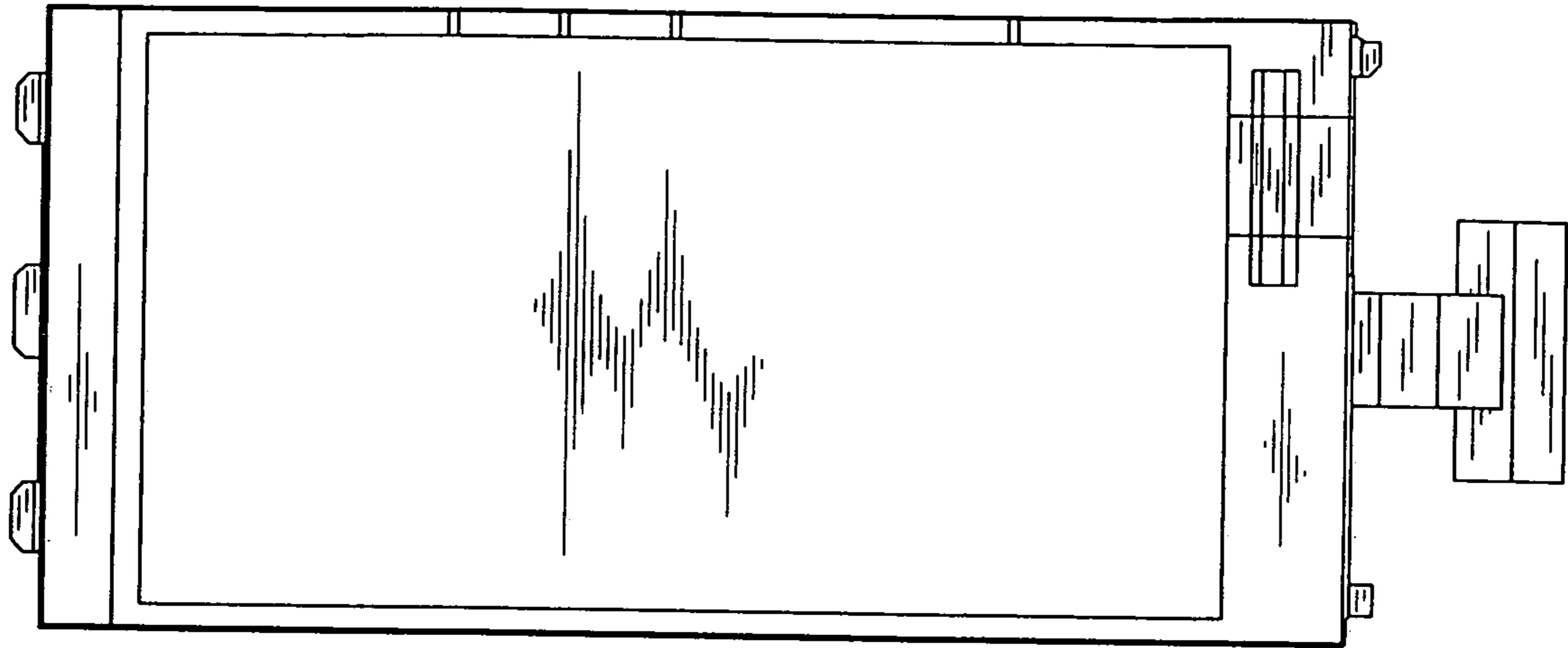


FIG. 3

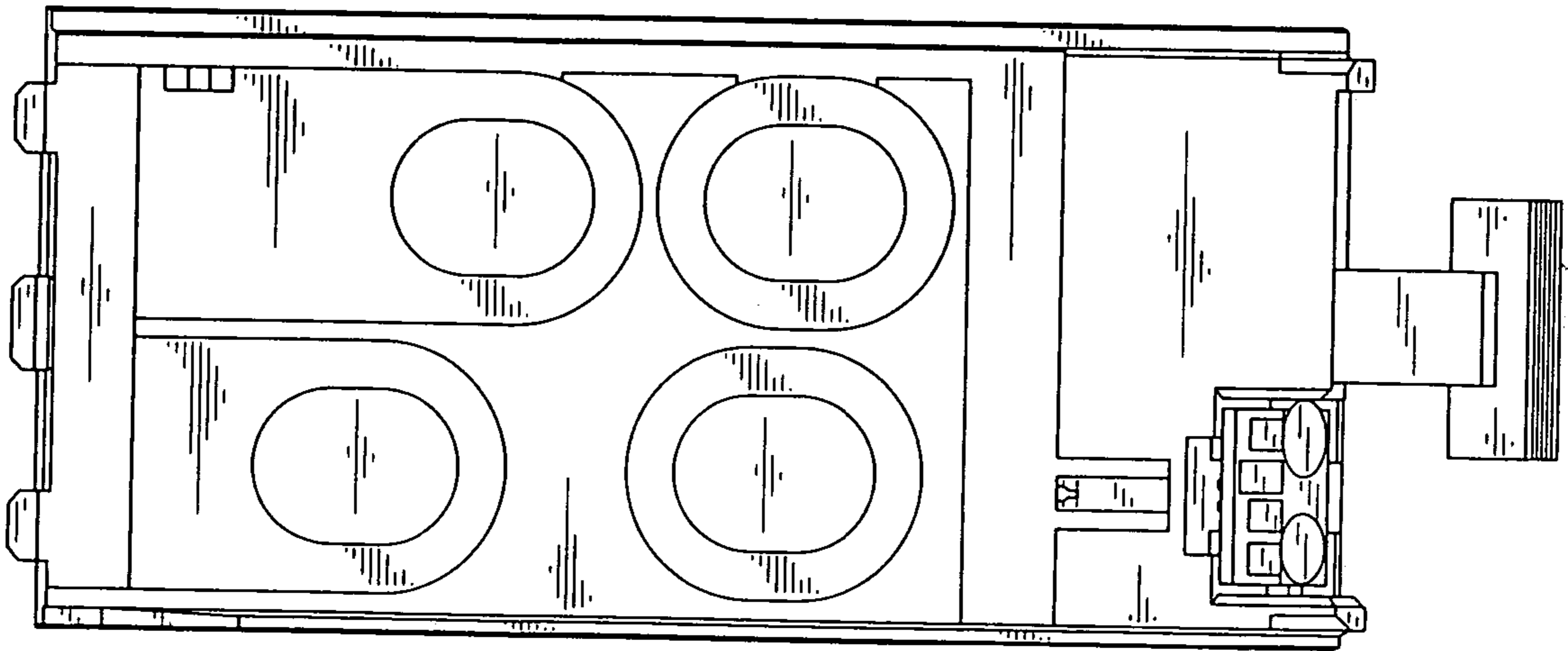
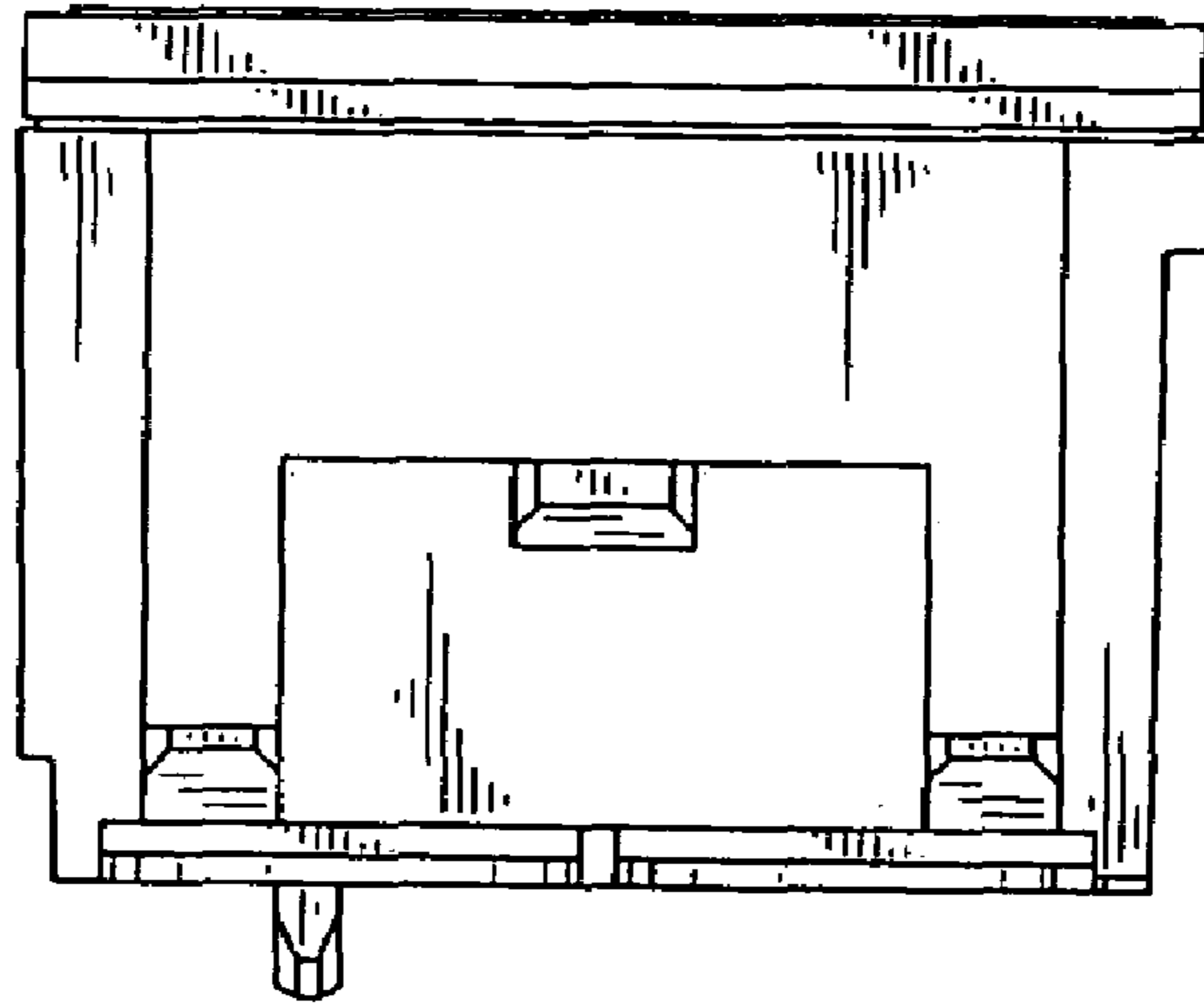
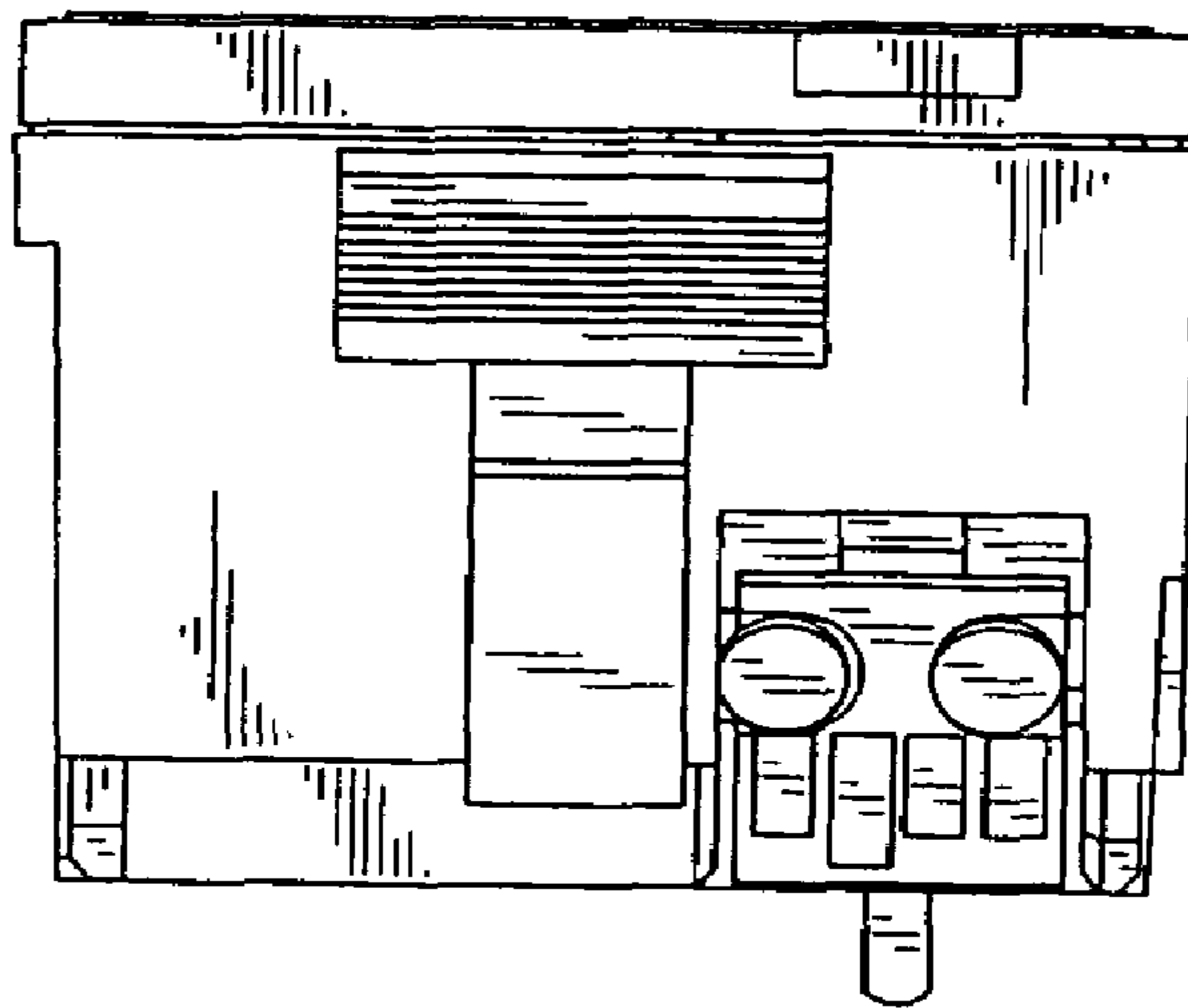


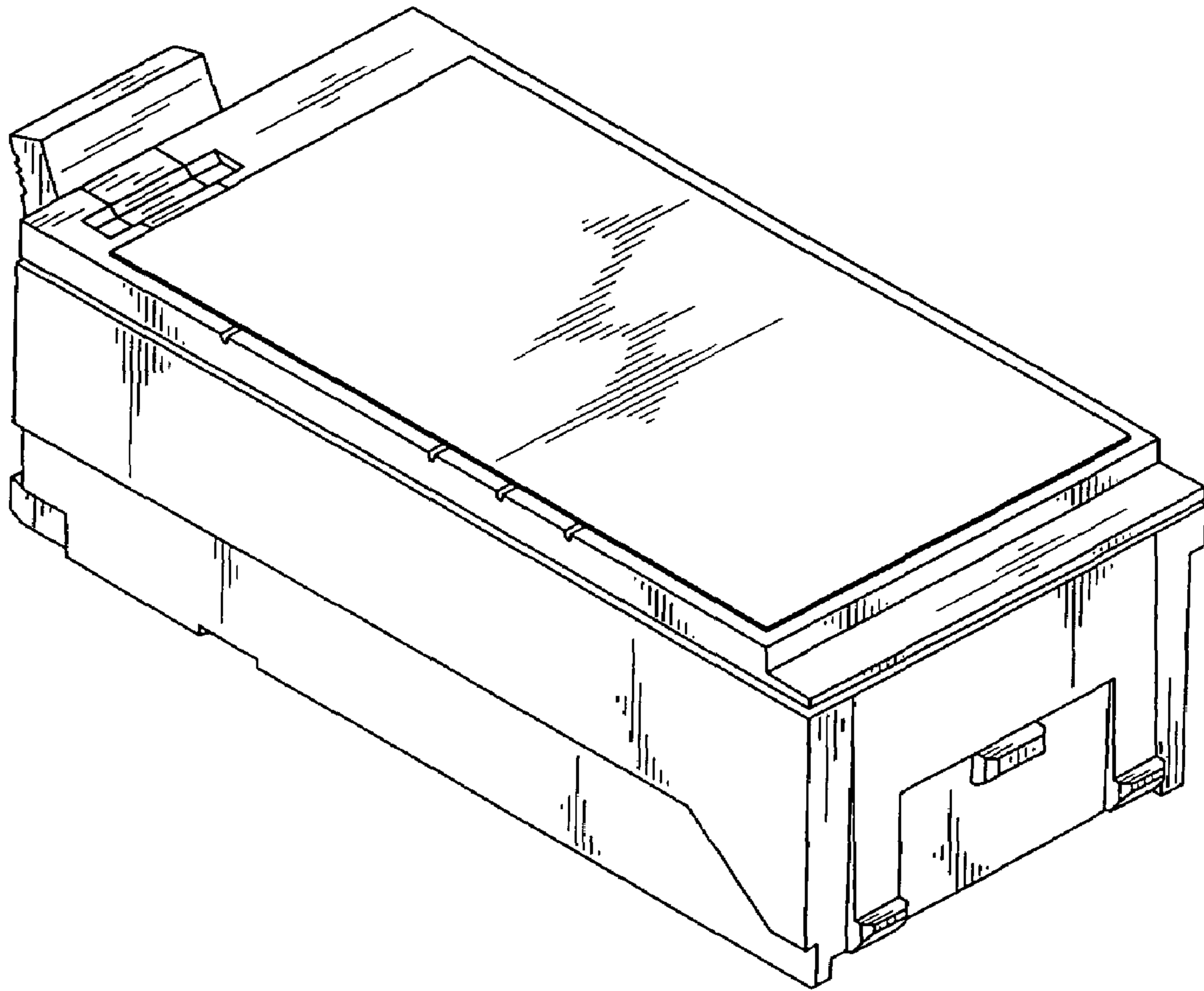
FIG. 4



*FIG. 5*



*FIG. 6*



*FIG. 7*

UNITED STATES PATENT AND TRADEMARK OFFICE  
**CERTIFICATE OF CORRECTION**

PATENT NO. : Des. 548,780 S  
APPLICATION NO. : 29/262661  
DATED : August 14, 2007  
INVENTOR(S) : Hiroki Hayashi et al.

Page 1 of 1

It is certified that error appears in the above-identified patent and that said Letters Patent is hereby corrected as shown below:

NOTICE

Insert: --(\*) Notice: This patent is subject to a terminal disclaimer--.

Signed and Sealed this

Fourth Day of December, 2007

A handwritten signature in black ink on a light gray dotted background. The signature reads "Jon W. Dudas" in a cursive style.

JON W. DUDAS

*Director of the United States Patent and Trademark Office*