

US00D548778S

(12) **United States Design Patent**
Nakata et al.

(10) **Patent No.:** **US D548,778 S**

(45) **Date of Patent:** **** Aug. 14, 2007**

(54) **TAPE PRINTING MACHINE**

(75) Inventors: **Yusuke Nakata**, Nagoya (JP);
Mitsuharu Hattori, Nagoya (JP)

(73) Assignee: **Brother Industries, Ltd.**, Nagoya (JP)

(**) Term: **14 Years**

(21) Appl. No.: **29/261,948**

(22) Filed: **Jun. 23, 2006**

(30) **Foreign Application Priority Data**

Dec. 27, 2005 (JP) 2005-038465

(51) **LOC (8) Cl.** **18-02**

(52) **U.S. Cl.** **D18/56**

(58) **Field of Classification Search** D18/50,
D18/52, 53, 54, 56, 14, 18, 19; D14/399;
D13/164, 168; 400/613, 613.1-613.4, 691-694;
101/93.4, 269; 355/78; 358/302

See application file for complete search history.

(56) **References Cited**

U.S. PATENT DOCUMENTS

D220,188 S * 3/1971 Kalvtis D18/54

D293,246 S * 12/1987 Moore D18/54
D322,804 S * 12/1991 Sugimoto D18/54
D532,447 S * 11/2006 Kawai D18/50
D534,577 S * 1/2007 Kawai D18/50
2002/0075517 A1* 6/2002 Haining 358/302
2004/0042048 A1* 3/2004 Fujinawa et al. 358/302

* cited by examiner

Primary Examiner—Charles A. Rademaker

(74) *Attorney, Agent, or Firm*—Oliff & Berridge, PLC

(57) **CLAIM**

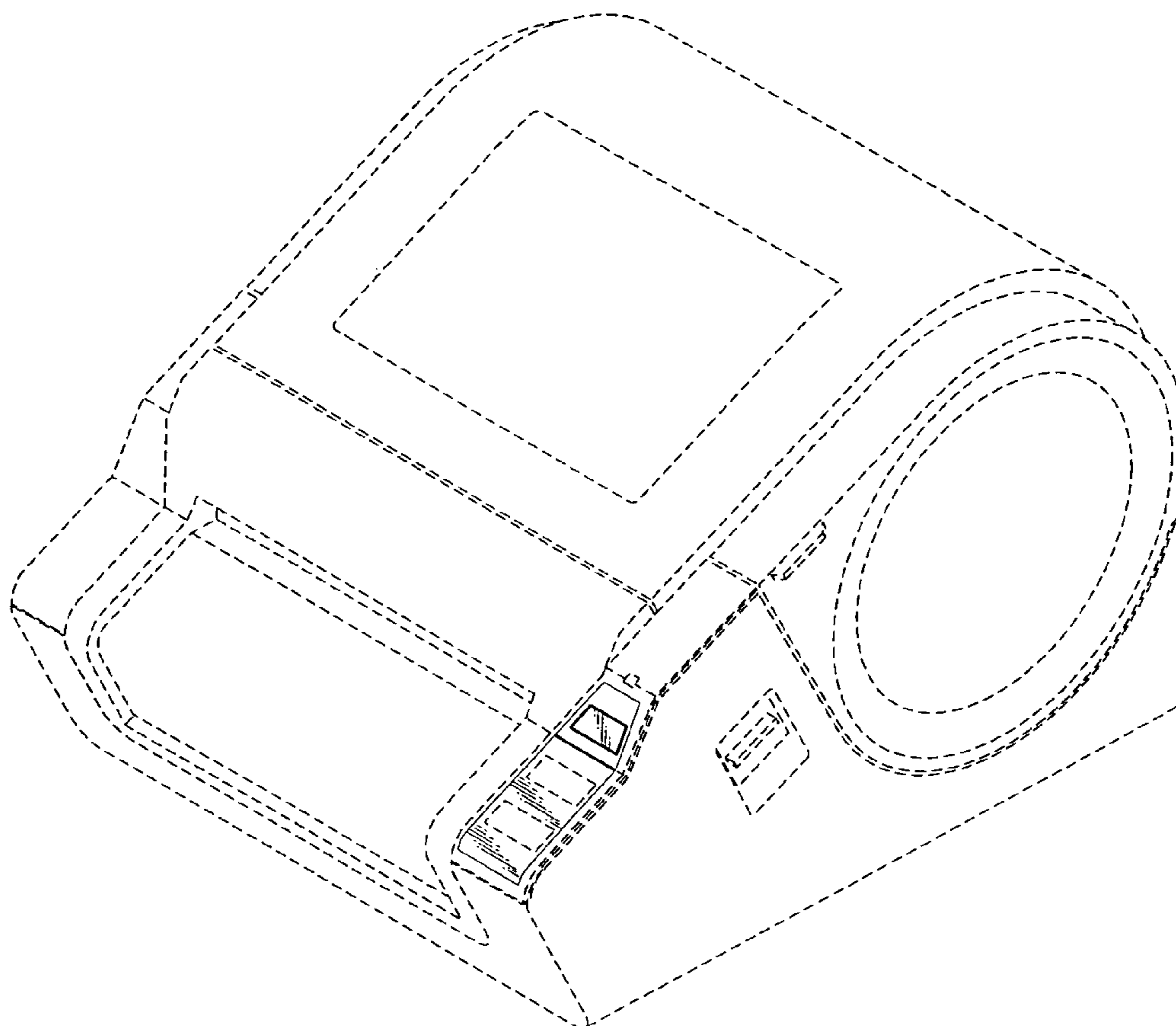
The ornamental design for a tape printing machine, as shown and described.

DESCRIPTION

FIG. 1 is a perspective view of a tape printing machine;
FIG. 2 is a front view thereof;
FIG. 3 is a top view thereof; and,
FIG. 4 is a right-side view thereof.

The broken lines are for illustrative purposes only and form no part of the claimed design.

1 Claim, 4 Drawing Sheets



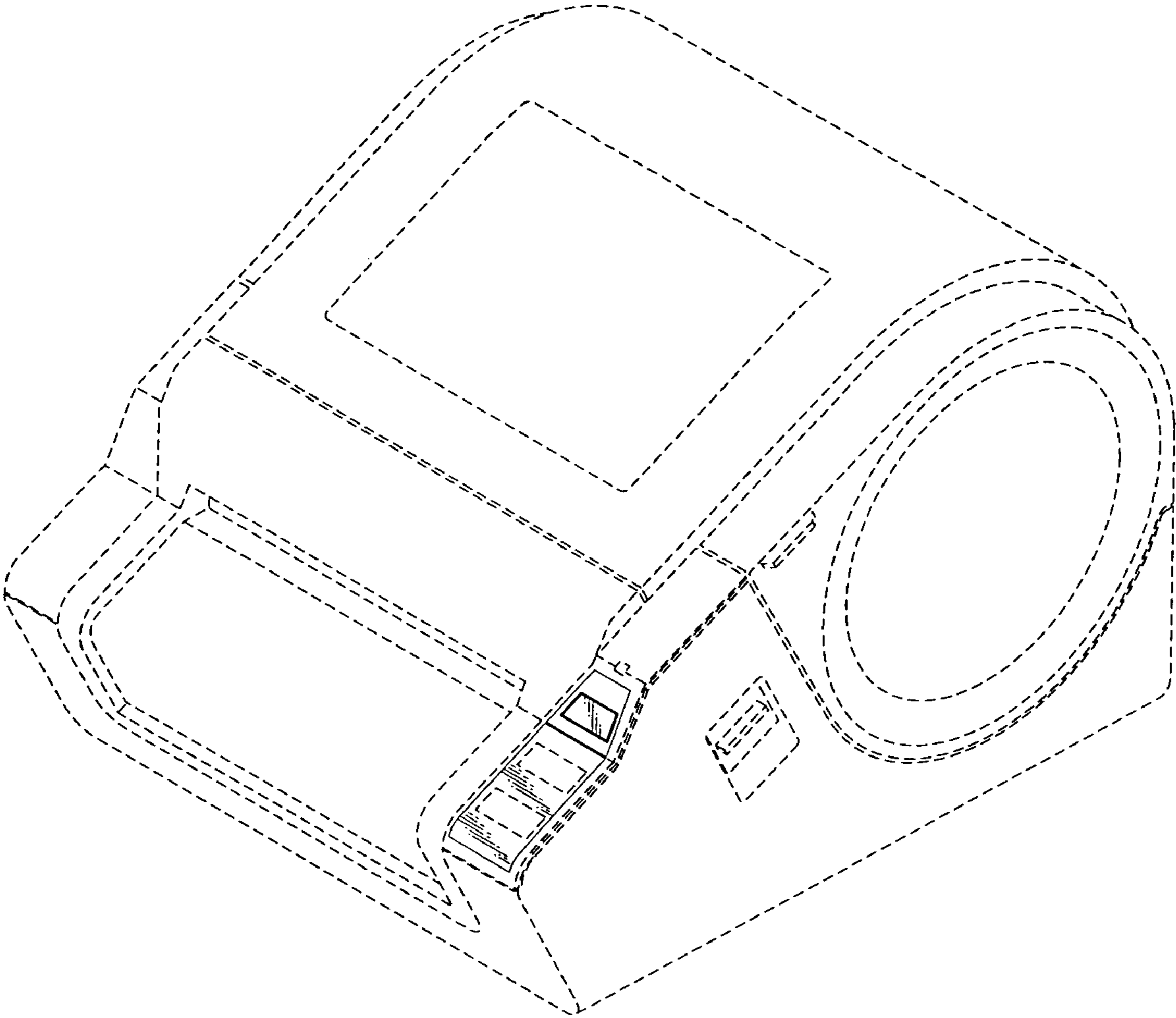


FIG. 1

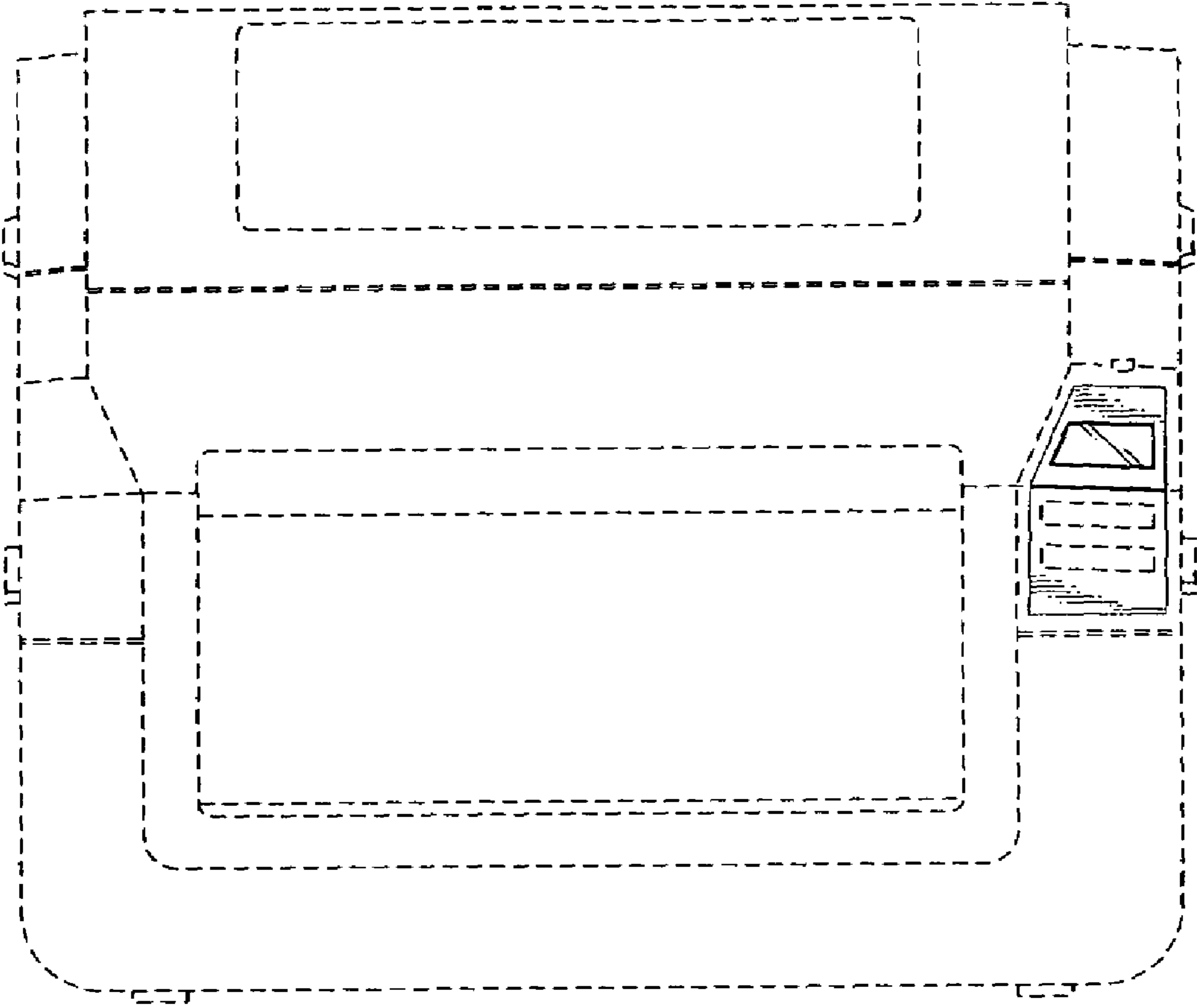


FIG. 2

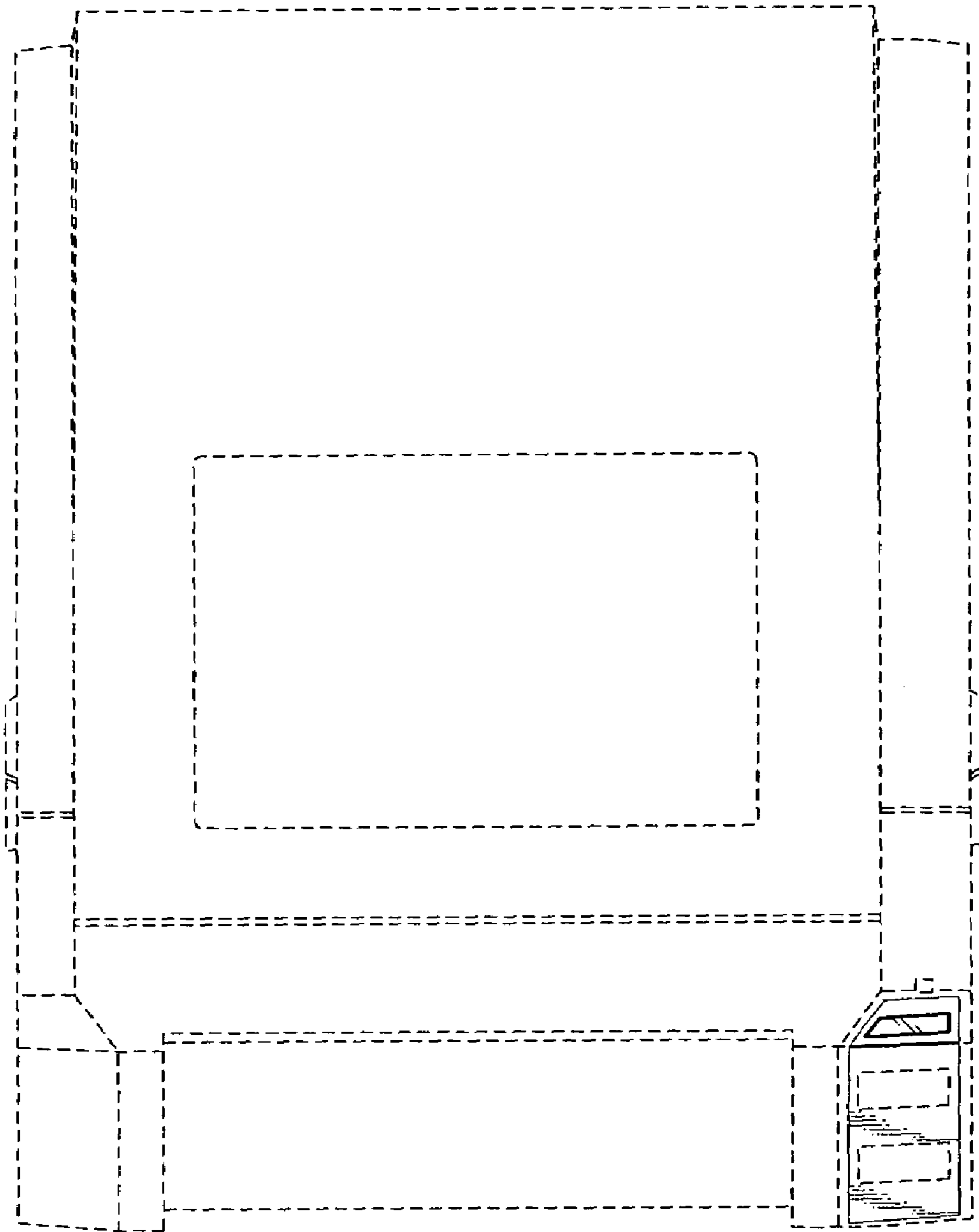


FIG. 3

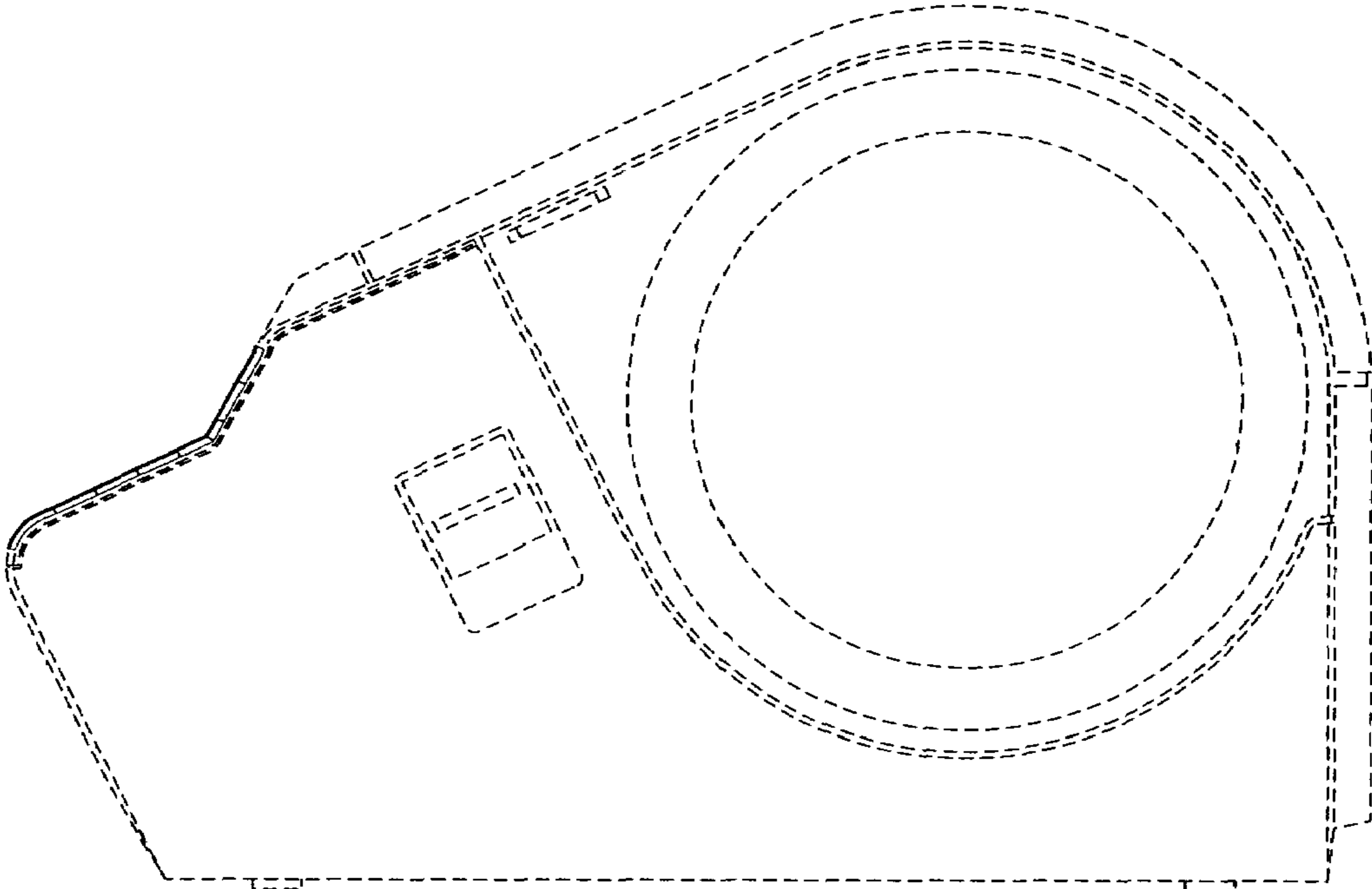


FIG. 4