



US00D548777S

(12) **United States Design Patent**
Matsumoto et al.

(10) **Patent No.:** **US D548,777 S**

(45) **Date of Patent:** **** Aug. 14, 2007**

(54) **PRINTER**

(75) Inventors: **Yasushi Matsumoto**, Tokyo (JP);
Nobuhiro Takeuchi, Tokyo (JP)

(73) Assignee: **Canon Kabushiki Kaisha**, Tokyo (JP)

(**) Term: **14 Years**

(21) Appl. No.: **29/257,575**

(22) Filed: **Apr. 7, 2006**

(30) **Foreign Application Priority Data**

Dec. 21, 2005 (JP) 2005-037498

(51) **LOC (8) Cl.** **14-02**

(52) **U.S. Cl.** **D18/55**

(58) **Field of Classification Search** D18/36-39,
D18/50-54, 54.1, 55; D14/420-425, 462-470;
D16/237, 246-248; 399/107; 400/613,
400/613.1-613.4, 690.1-690.4, 691-694

See application file for complete search history.

(56) **References Cited**

U.S. PATENT DOCUMENTS

D220,923 S * 6/1971 Blomgren D18/36
D295,530 S * 5/1988 Masaki et al. D18/37
D329,428 S * 9/1992 Yoshida et al. D14/465
D405,107 S * 2/1999 Yokokawa D18/50

D431,047 S * 9/2000 Yokakowa D18/50
D436,617 S * 1/2001 Feitel et al. D18/55
D456,412 S * 4/2002 Khovaylo et al. D14/420
D456,443 S * 4/2002 Igarashi D18/50
D466,551 S * 12/2002 Nagai D18/50
D519,151 S * 4/2006 Tashiro D18/54
D520,558 S 5/2006 Matsumoto et al.
D526,348 S * 8/2006 Tanaka D18/50
D532,038 S * 11/2006 Hutchinson D18/50

* cited by examiner

Primary Examiner—Cathy Anne MacCormac

(74) *Attorney, Agent, or Firm*—Fitzpatrick, Cella, Harper & Scinto

(57) **CLAIM**

The ornamental design for a printer, as shown and described.

DESCRIPTION

FIG. 1 is a front view of a printer showing our new design;

FIG. 2 is a rear view thereof;

FIG. 3 is a top plan view thereof;

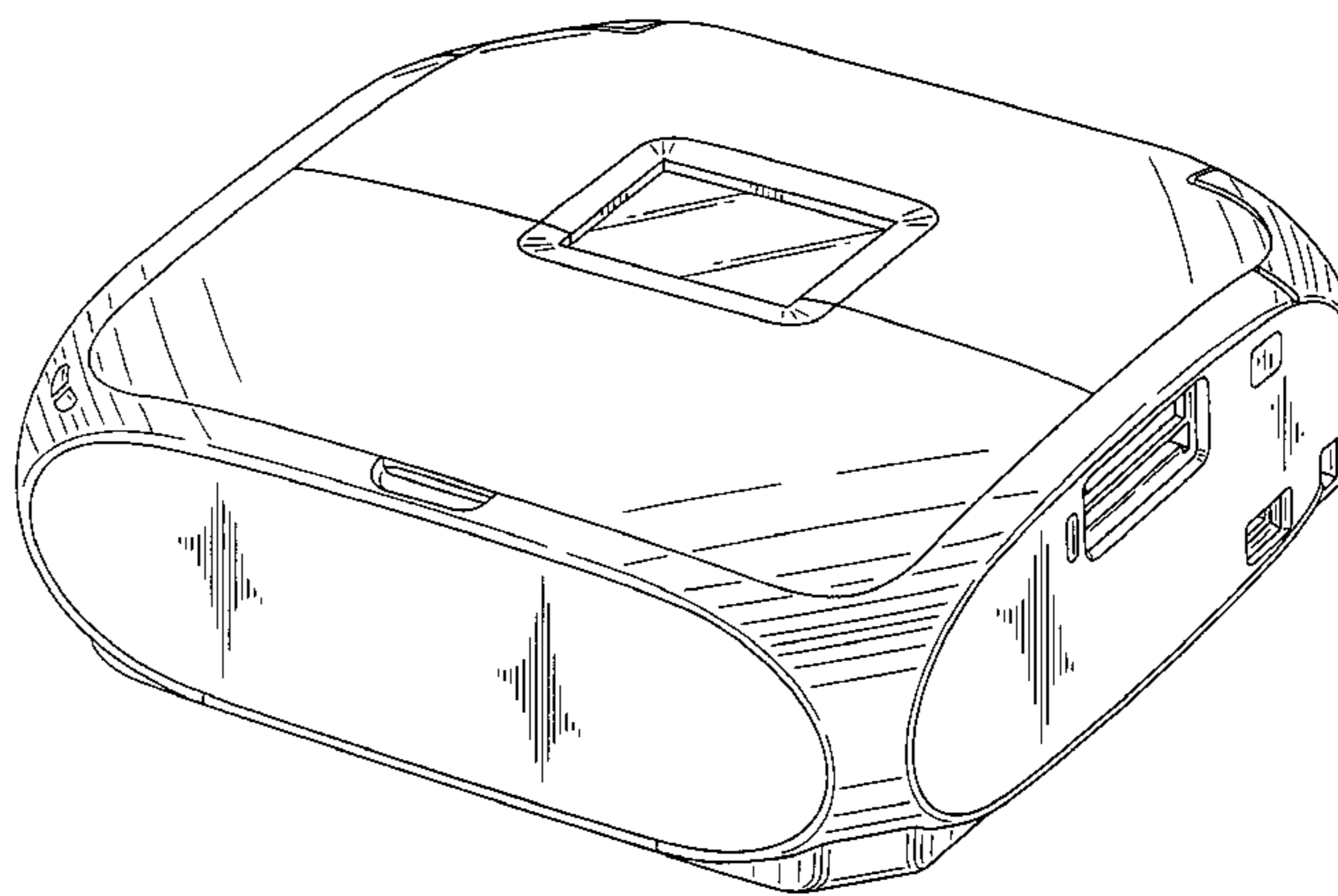
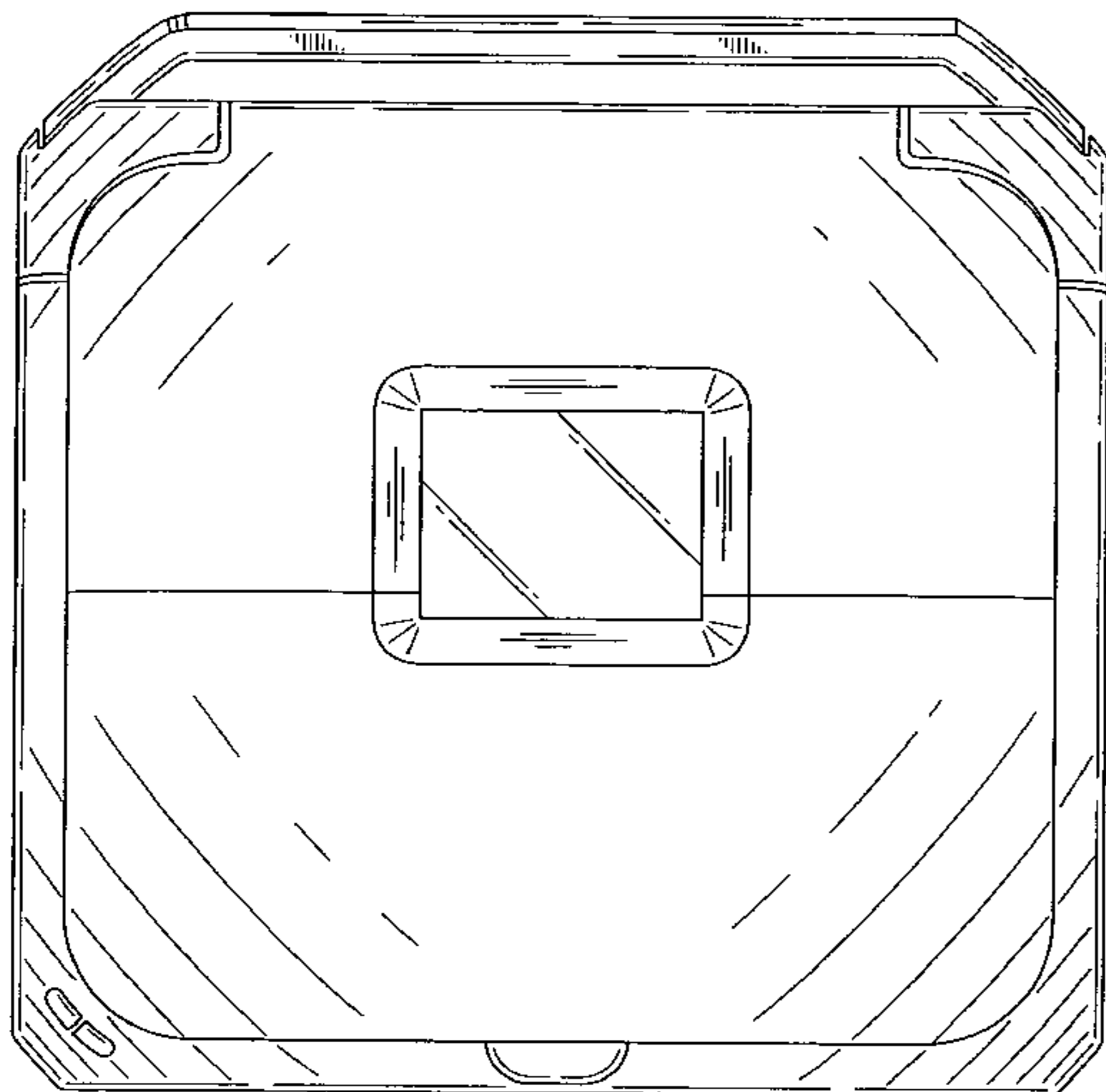
FIG. 4 is a bottom plan view thereof;

FIG. 5 is a left side view thereof;

FIG. 6 is a right side view thereof; and,

FIG. 7 is a perspective view thereof.

1 Claim, 5 Drawing Sheets



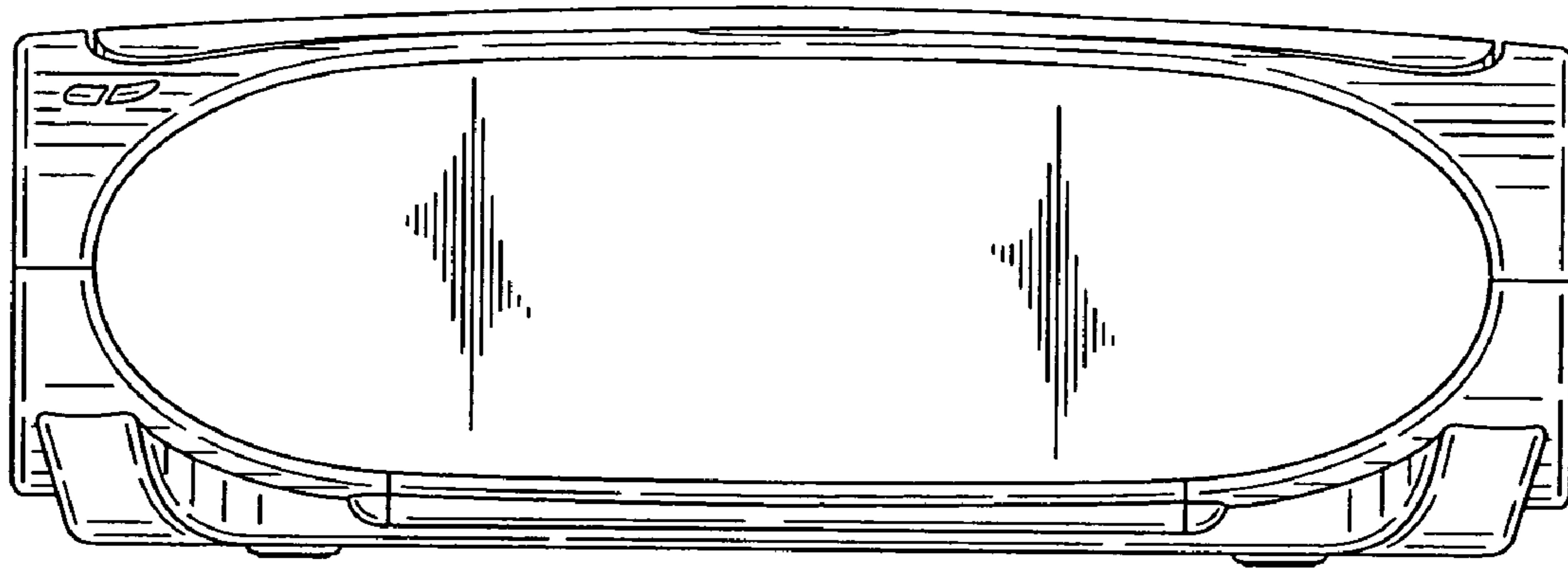


FIG. 1

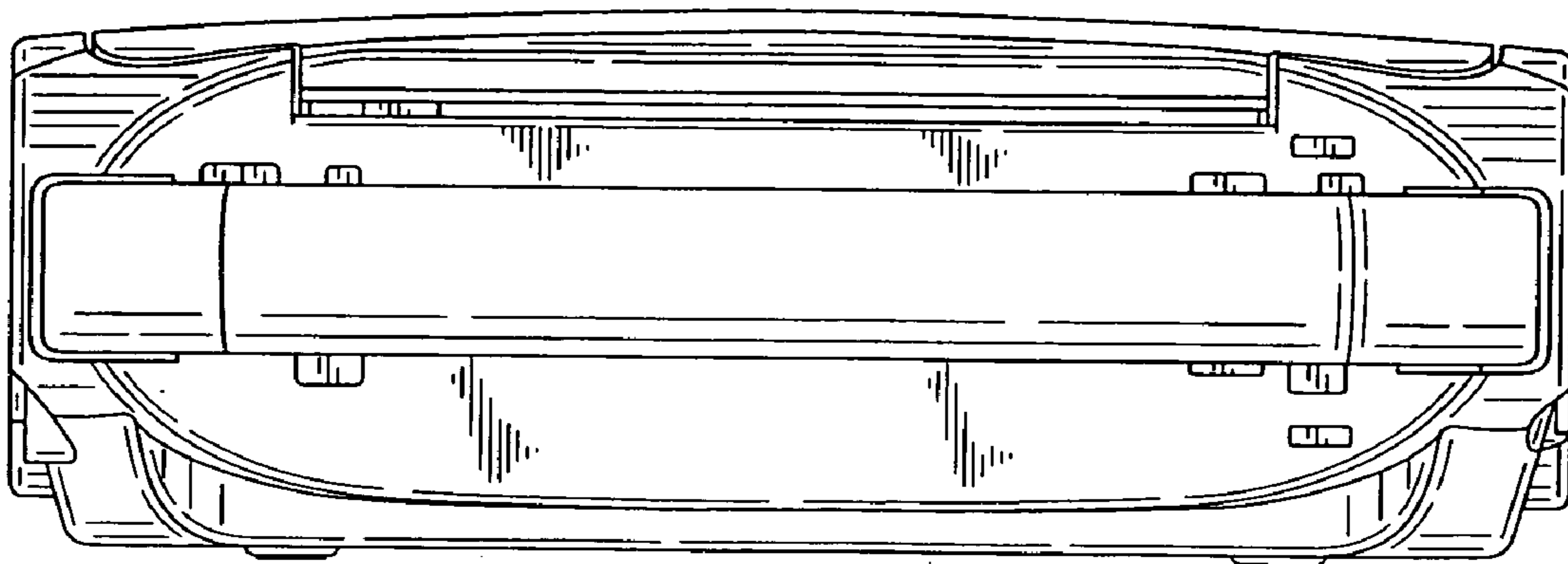


FIG. 2

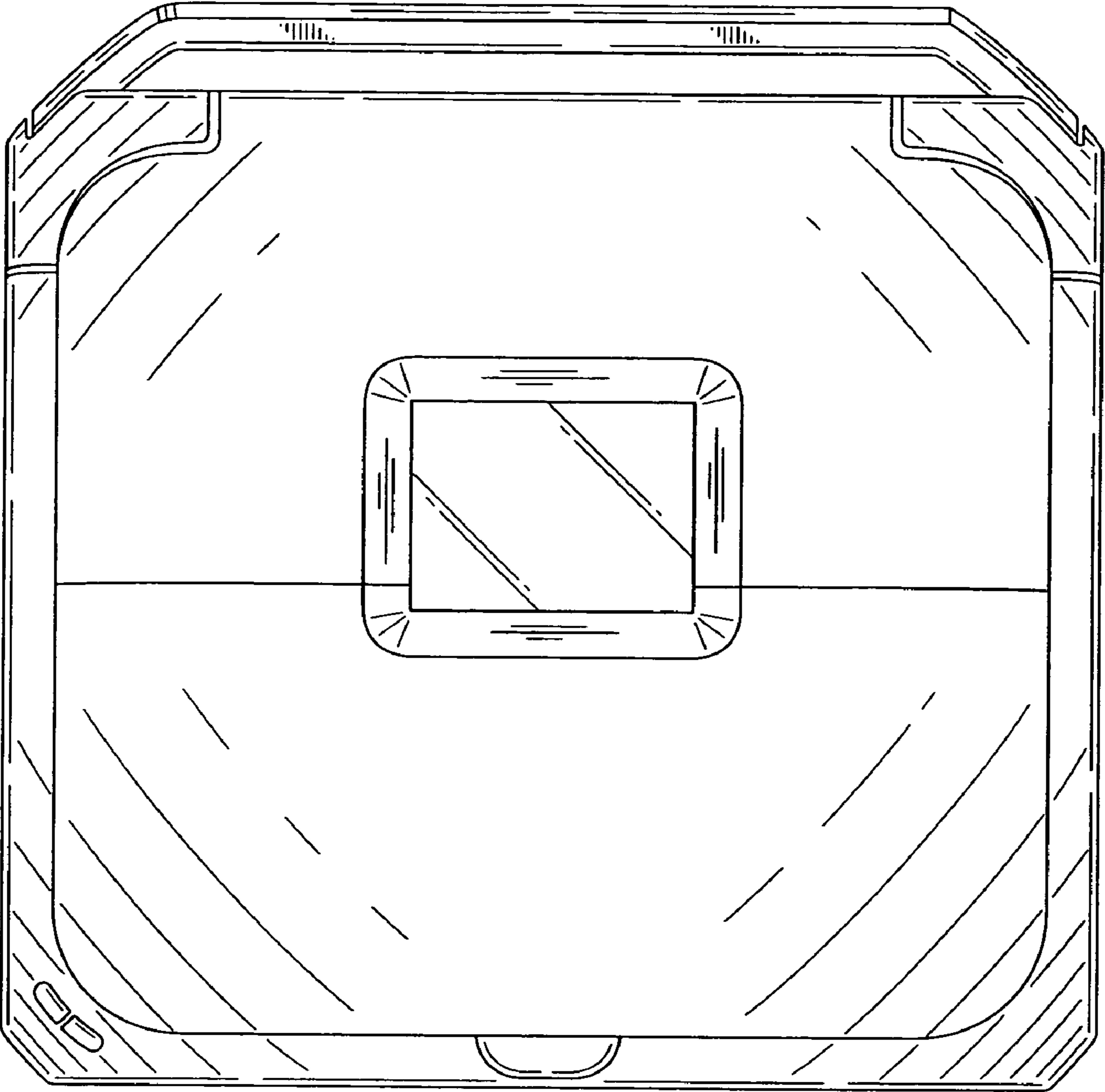


FIG. 3

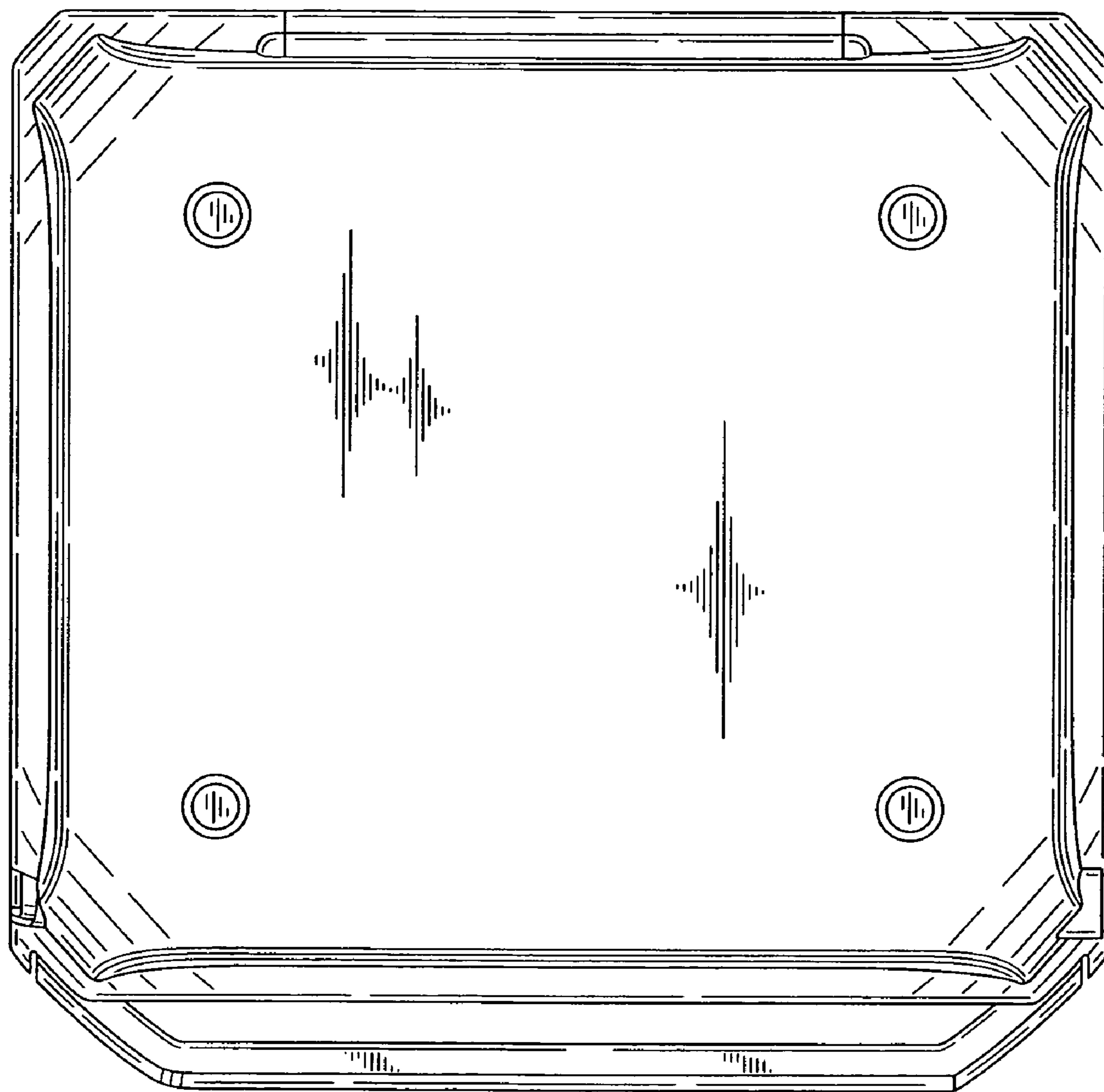


FIG. 4

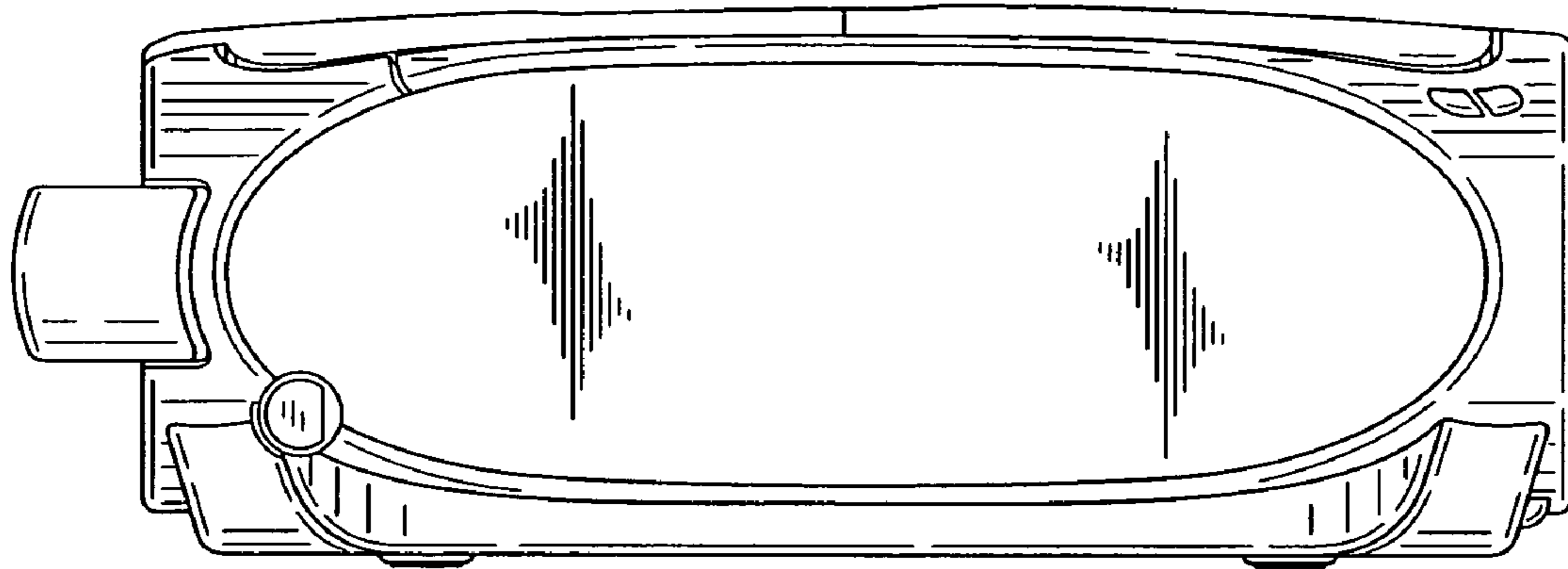


FIG. 5

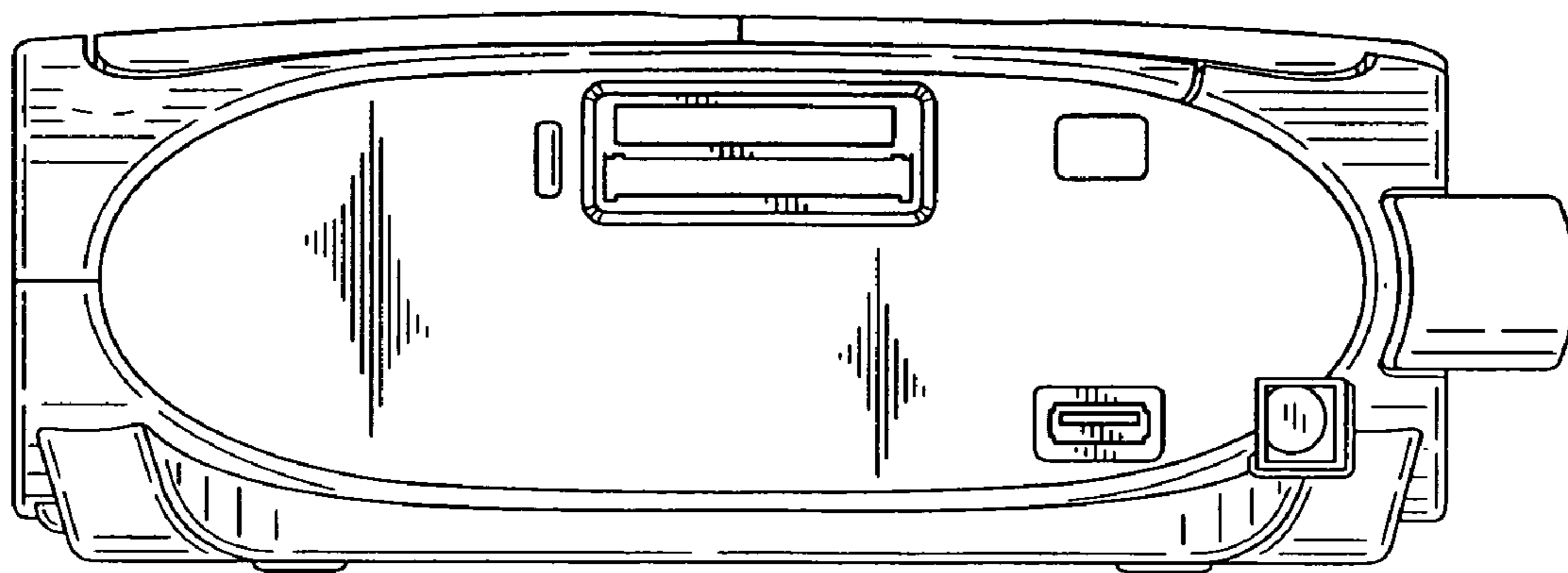


FIG. 6

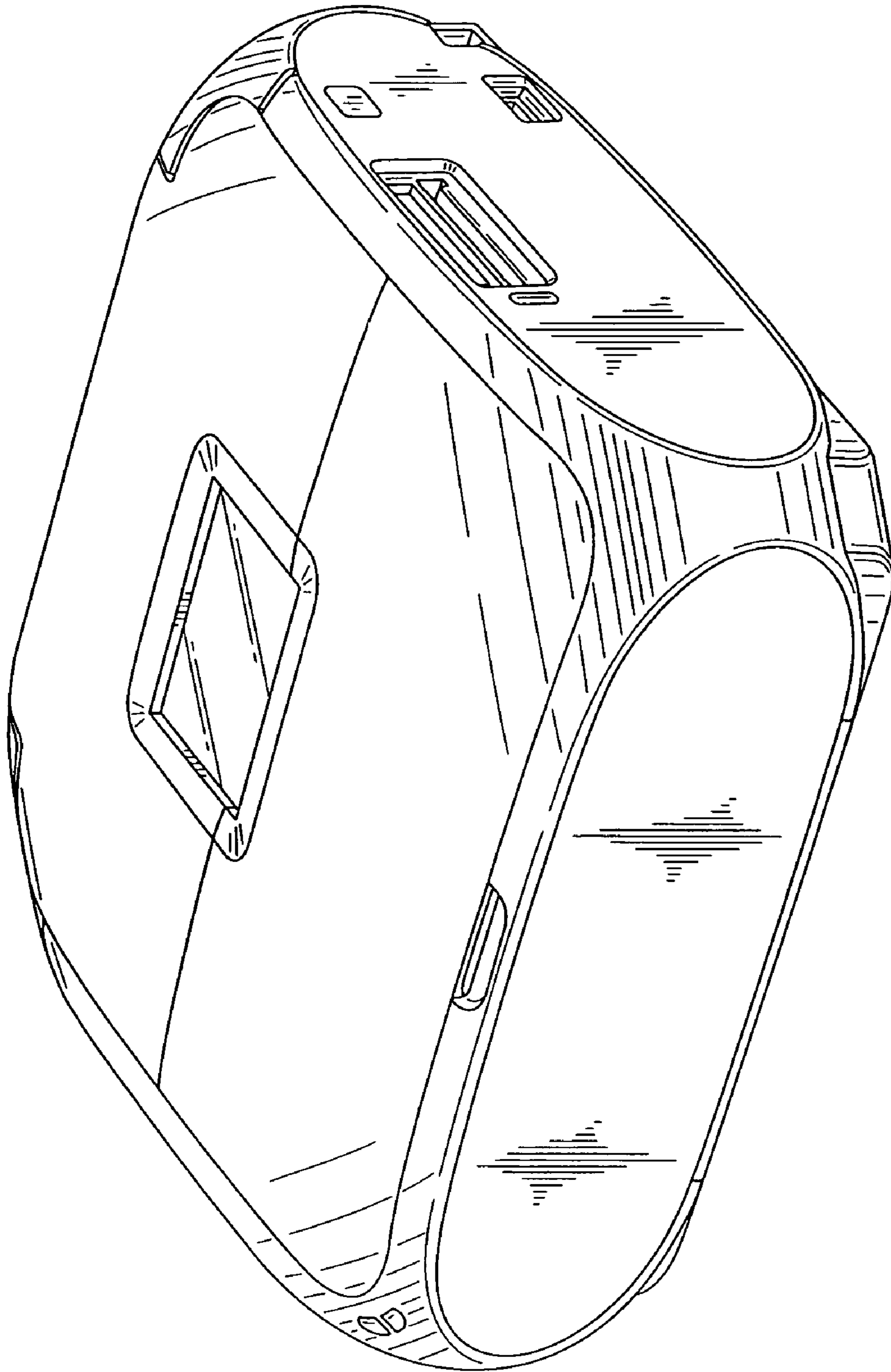


FIG. 7