

US00D548775S

(12) **United States Design Patent**  
**Hattori**

(10) **Patent No.:** **US D548,775 S**

(45) **Date of Patent:** **\*\* Aug. 14, 2007**

(54) **PRINTER**

(75) Inventor: **Mitsuharu Hattori**, Nagoya (JP)

(73) Assignee: **Brother Industries, Ltd.**, Nagoya (JP)

(\*\*) Term: **14 Years**

(21) Appl. No.: **29/261,328**

(22) Filed: **Jun. 13, 2006**

(30) **Foreign Application Priority Data**

Dec. 13, 2005 (JP) ..... 2005-036711

(51) **LOC (8) Cl.** ..... **18-02**

(52) **U.S. Cl.** ..... **D18/50**

(58) **Field of Classification Search** ..... D18/56,  
D18/55, 50, 4.3, 12.3, 36-41, 43, 44, 46-49,  
D18/14, 18, 21, 51, 54, 54.1, 58, 34.1, 34.9,  
D18/35, 35.1, 99, 59, 53; D16/246-248;  
D14/420-425, 462-470; 399/107

See application file for complete search history.

(56) **References Cited**

**U.S. PATENT DOCUMENTS**

D517,110 S \* 3/2006 Tanaka ..... D16/237

D532,041 S \* 11/2006 Ishigami et al. .... D18/50  
D534,579 S \* 1/2007 Yamaguchi ..... D18/55  
D537,113 S \* 2/2007 Gant et al. .... D18/50  
D537,114 S \* 2/2007 Gant et al. .... D18/54

\* cited by examiner

*Primary Examiner*—Louis S. Zarfes

*Assistant Examiner*—Anna Dworzecka

(74) *Attorney, Agent, or Firm*—Oliff & Berridge, PLC

(57) **CLAIM**

The ornamental design for a printer, as shown and described.

**DESCRIPTION**

FIG. 1 is a perspective view of a printer;

FIG. 2 is a front view thereof;

FIG. 3 is a top view thereof;

FIG. 4 is a right-side view thereof;

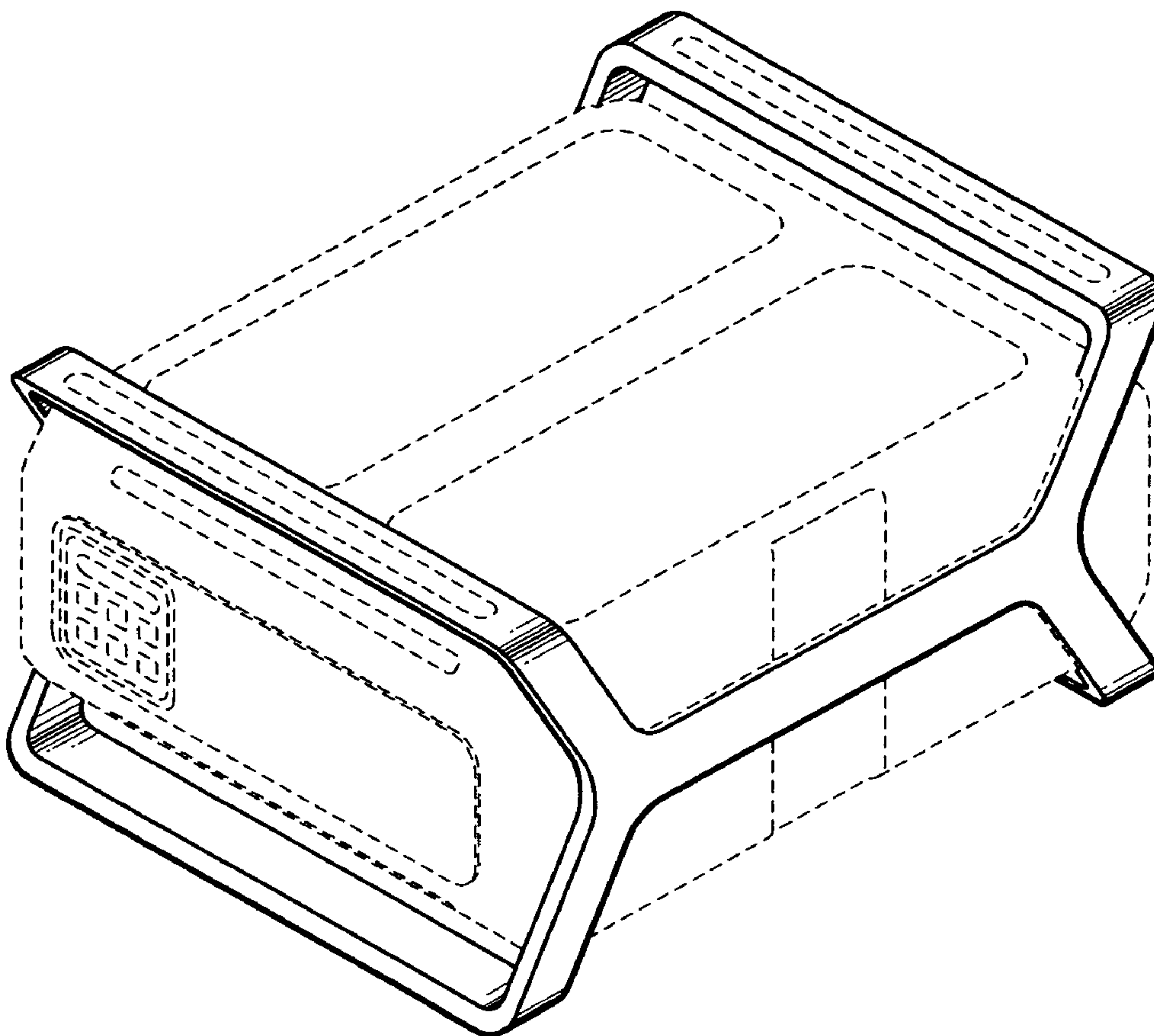
FIG. 5 is a left-side view thereof;

FIG. 6 is a rear view thereof; and,

FIG. 7 is a bottom view thereof.

The broken lines are for illustrative purposes only and form no part of the claimed design.

**1 Claim, 4 Drawing Sheets**



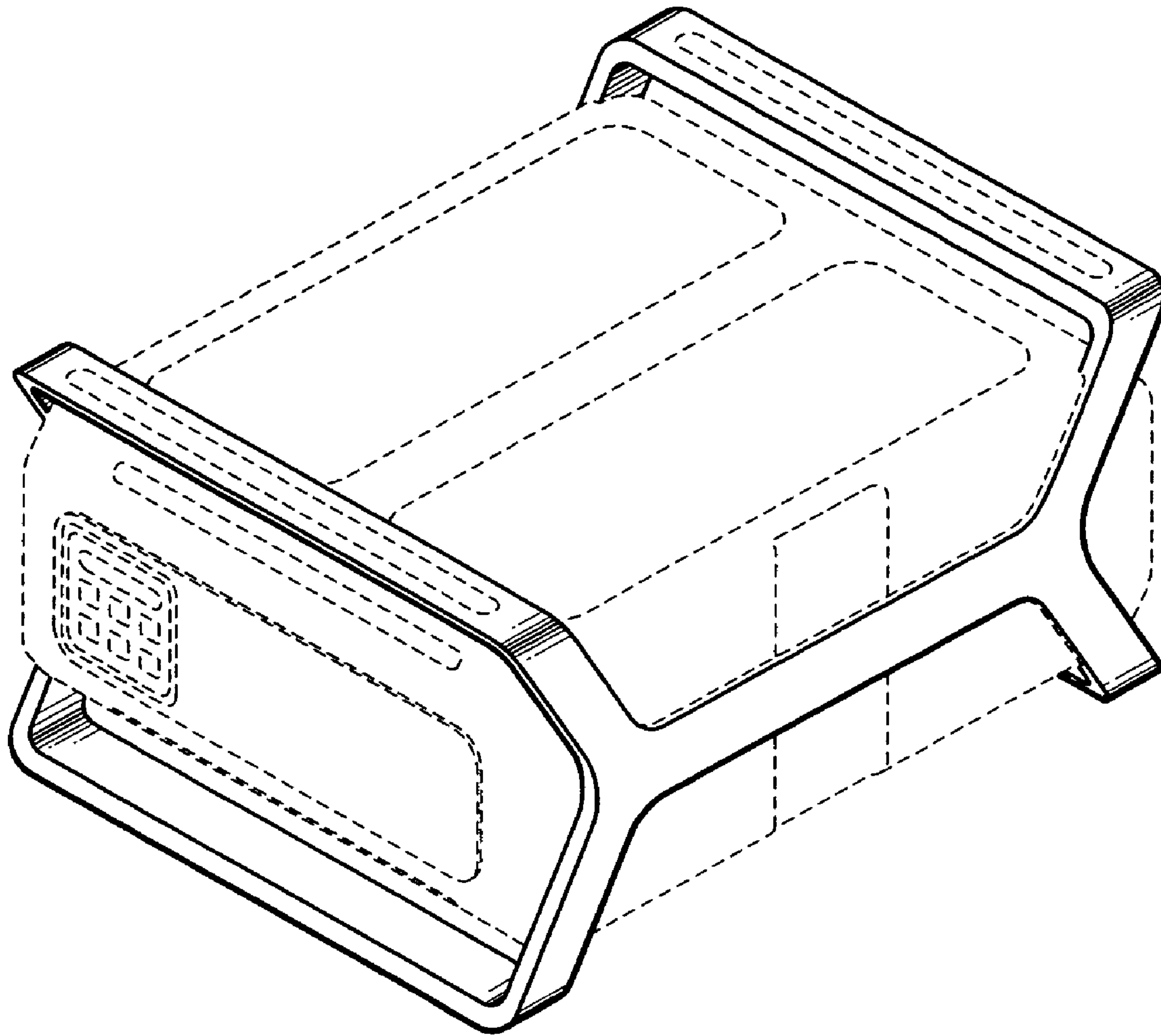


FIG. 1

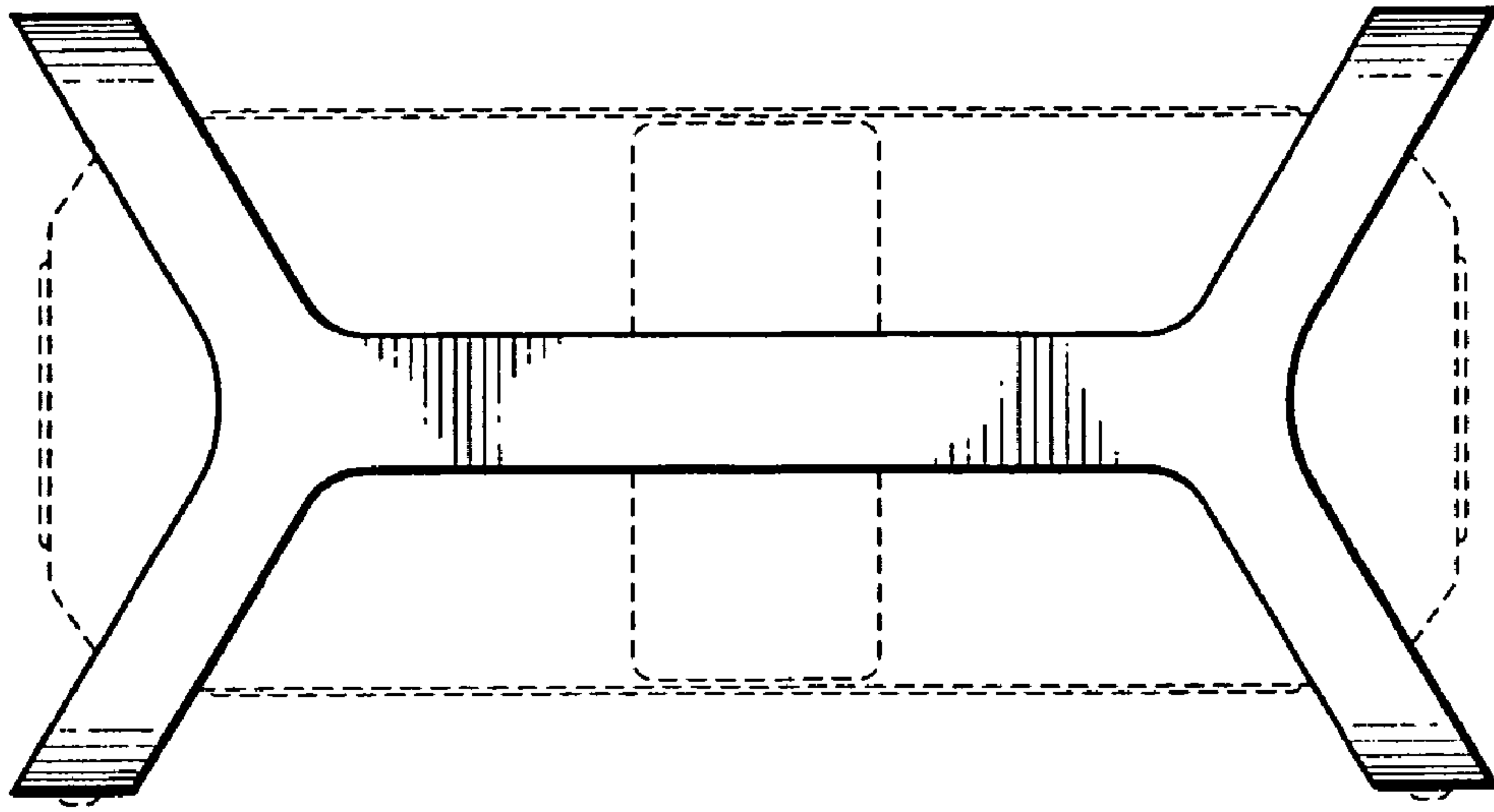


FIG. 2

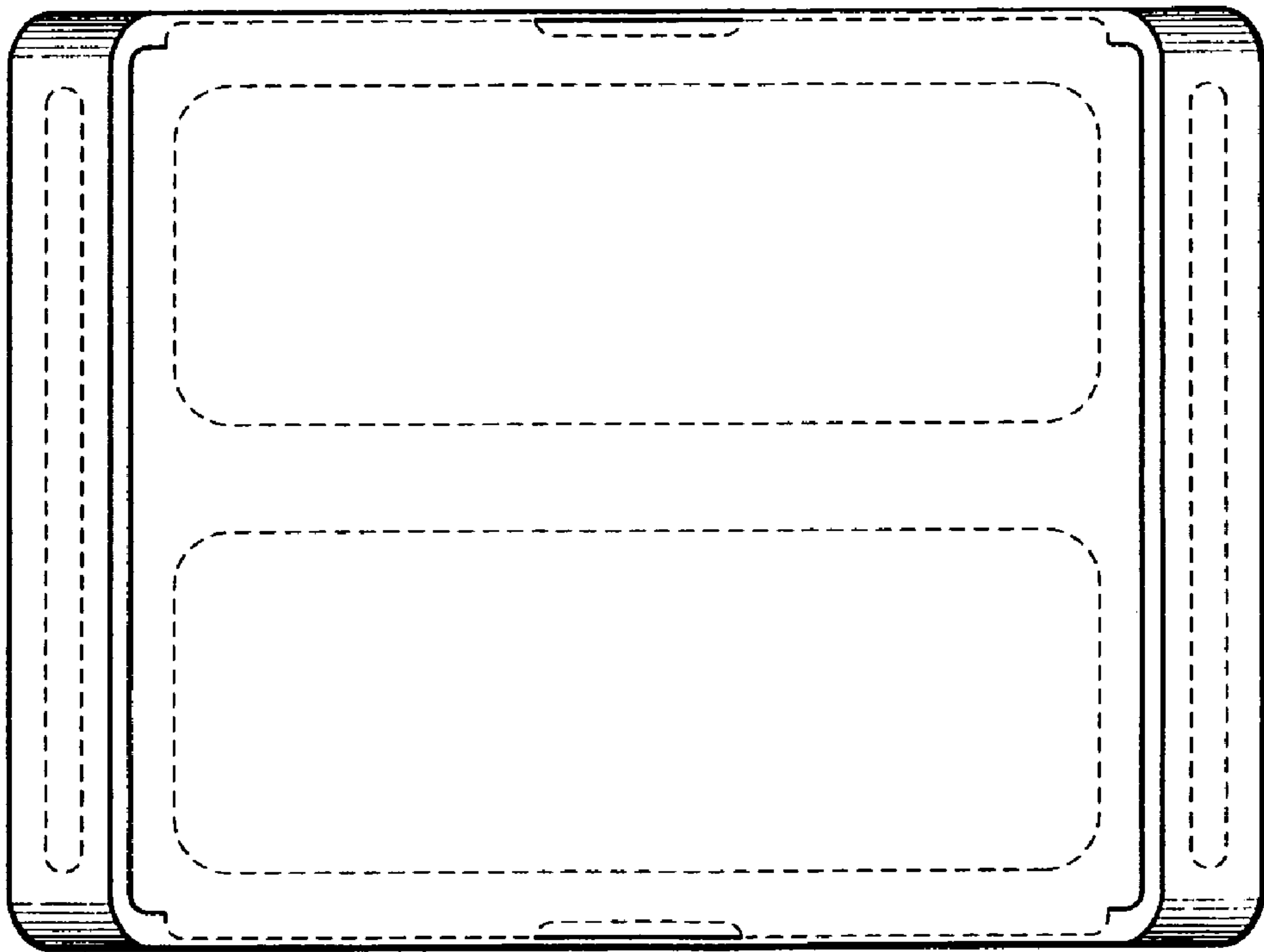


FIG. 3

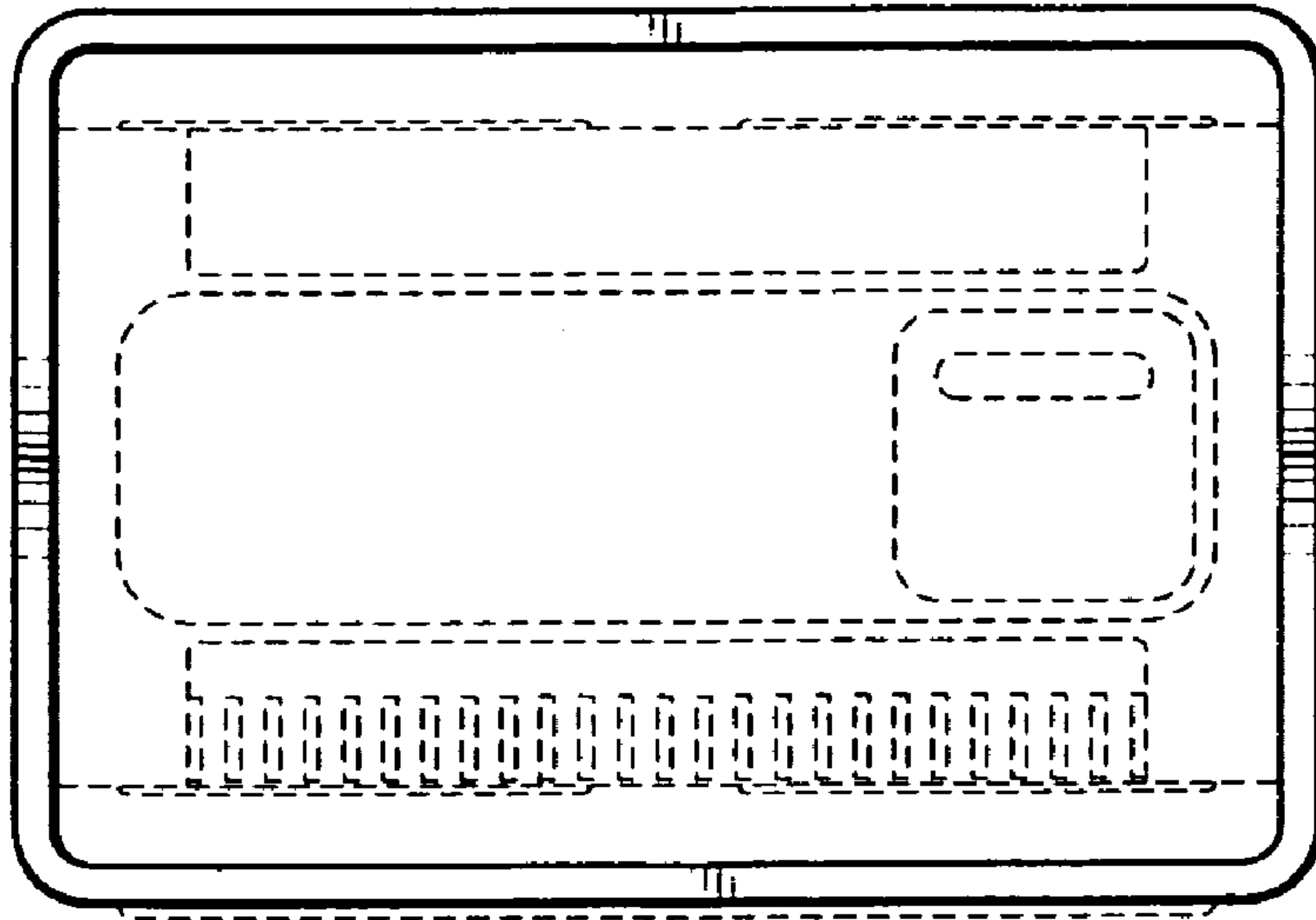


FIG. 4

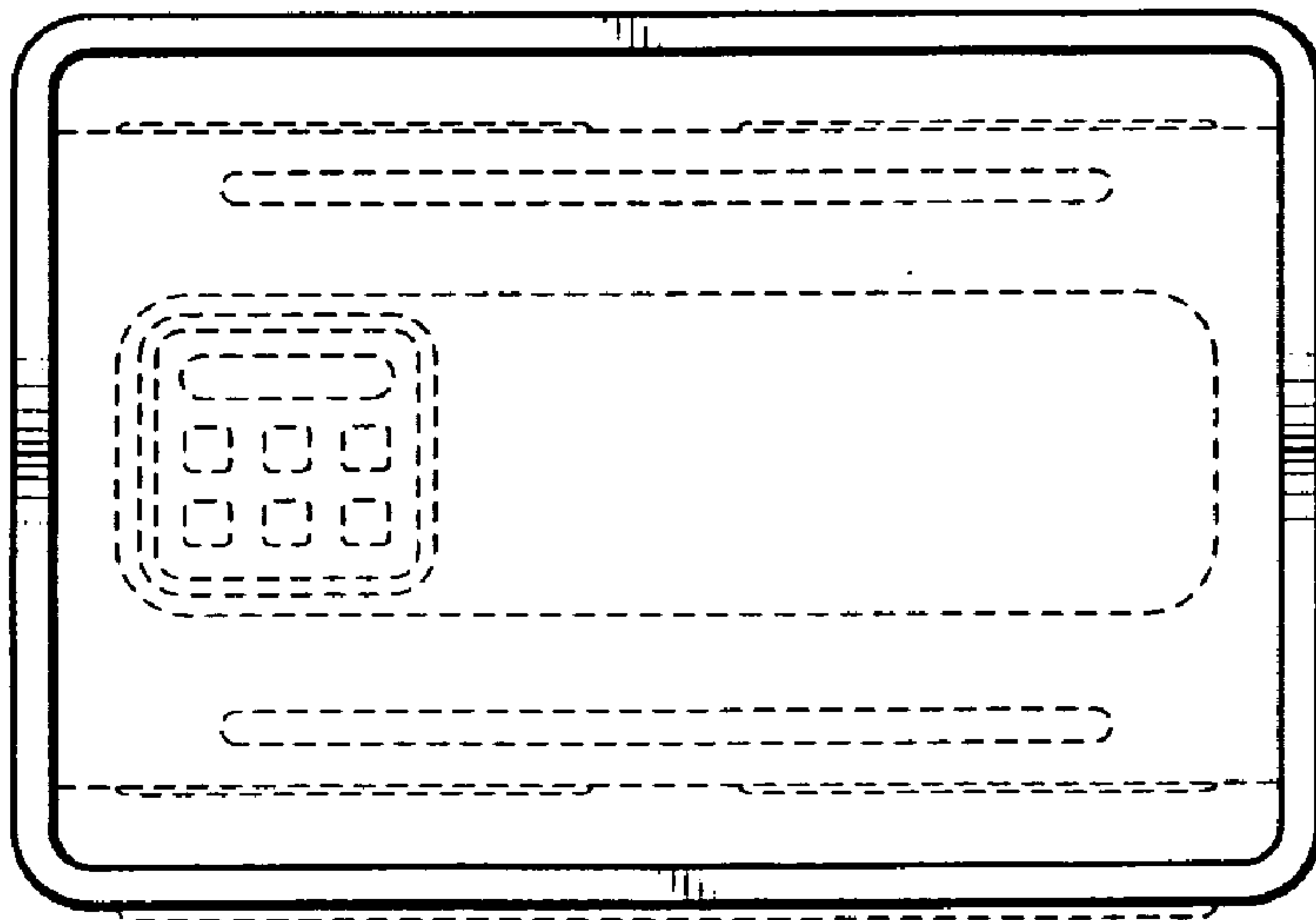


FIG. 5

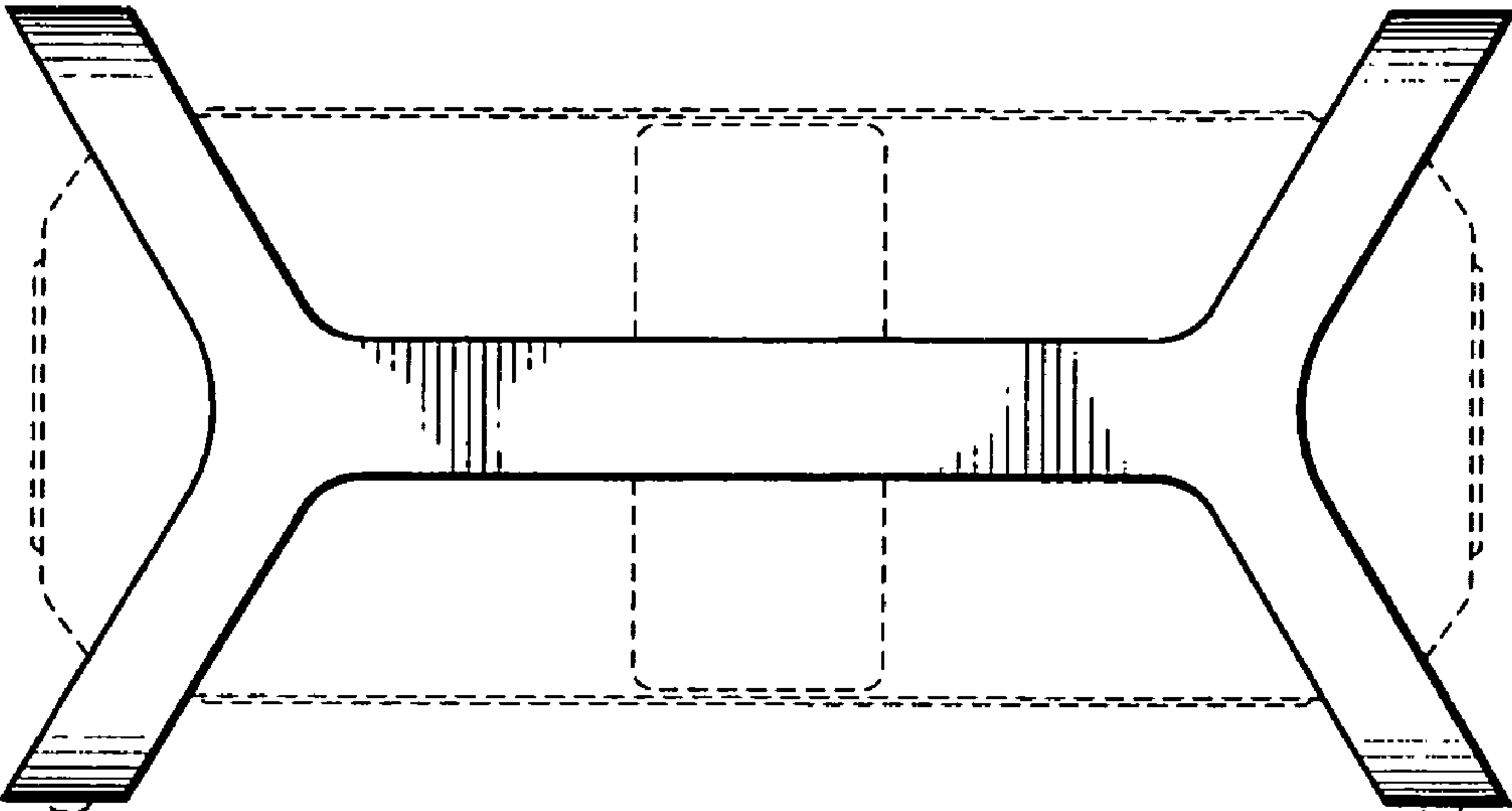


FIG. 6

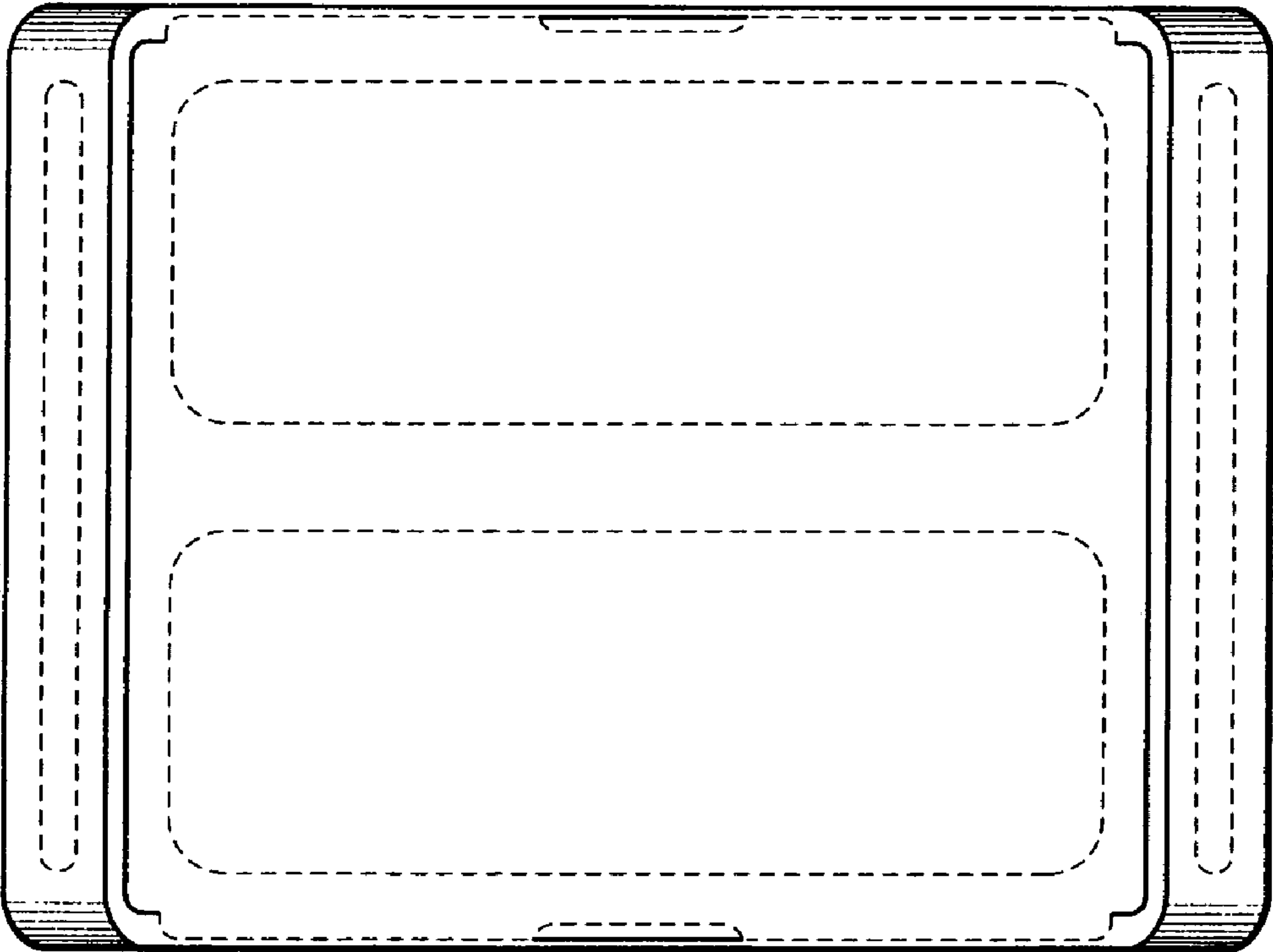


FIG. 7