



US00D548774S

(12) **United States Design Patent**
Ishio et al.

(10) **Patent No.:** **US D548,774 S**

(45) **Date of Patent:** **** Aug. 14, 2007**

(54) **ELECTRONIC COPYING MACHINE**

D473,587 S * 4/2003 Agata et al. D18/39
D487,107 S * 2/2004 Ohashi D18/39
D502,210 S * 2/2005 Katori et al. D18/39

(75) Inventors: **Hisaya Ishio**, Toda (JP); **Hitoshi Kato**,
Tokyo (JP)

FOREIGN PATENT DOCUMENTS

(73) Assignee: **Toshiba Tec Kabushiki Kaisha**, Tokyo
(JP)

JP D1047819 8/1999
JP D1096426 1/2001

(**) Term: **14 Years**

* cited by examiner

(21) Appl. No.: **29/243,076**

Primary Examiner—Robert M. Spear
Assistant Examiner—Garth Rademaker

(22) Filed: **Nov. 21, 2005**

(74) *Attorney, Agent, or Firm*—Hogan & Hartson LLP

(30) **Foreign Application Priority Data**

(57) **CLAIM**

Jul. 20, 2005 (JP) 2005-021134

The ornamental design for an electronic copying machine,
as shown and described.

(51) **LOC (8) Cl.** **16-03**

(52) **U.S. Cl.** **D18/39**

(58) **Field of Classification Search** D18/36-39,
D18/45-55; 222/DIG. 1; 355/97, 99; 358/1.1;
399/1-7, 16, 75, 81, 130, 151, 310, 361,
399/365

DESCRIPTION

See application file for complete search history.

FIG. 1 is a front, top and right side perspective view of an
electronic copying machine, showing our new design;

FIG. 2 is a front elevational view thereof;

FIG. 3 is a rear elevational view thereof;

FIG. 4 is a top plan view thereof;

FIG. 5 is a bottom plan view thereof;

FIG. 6 is a right side elevational view thereof; and,

FIG. 7 is a left side elevational view thereof.

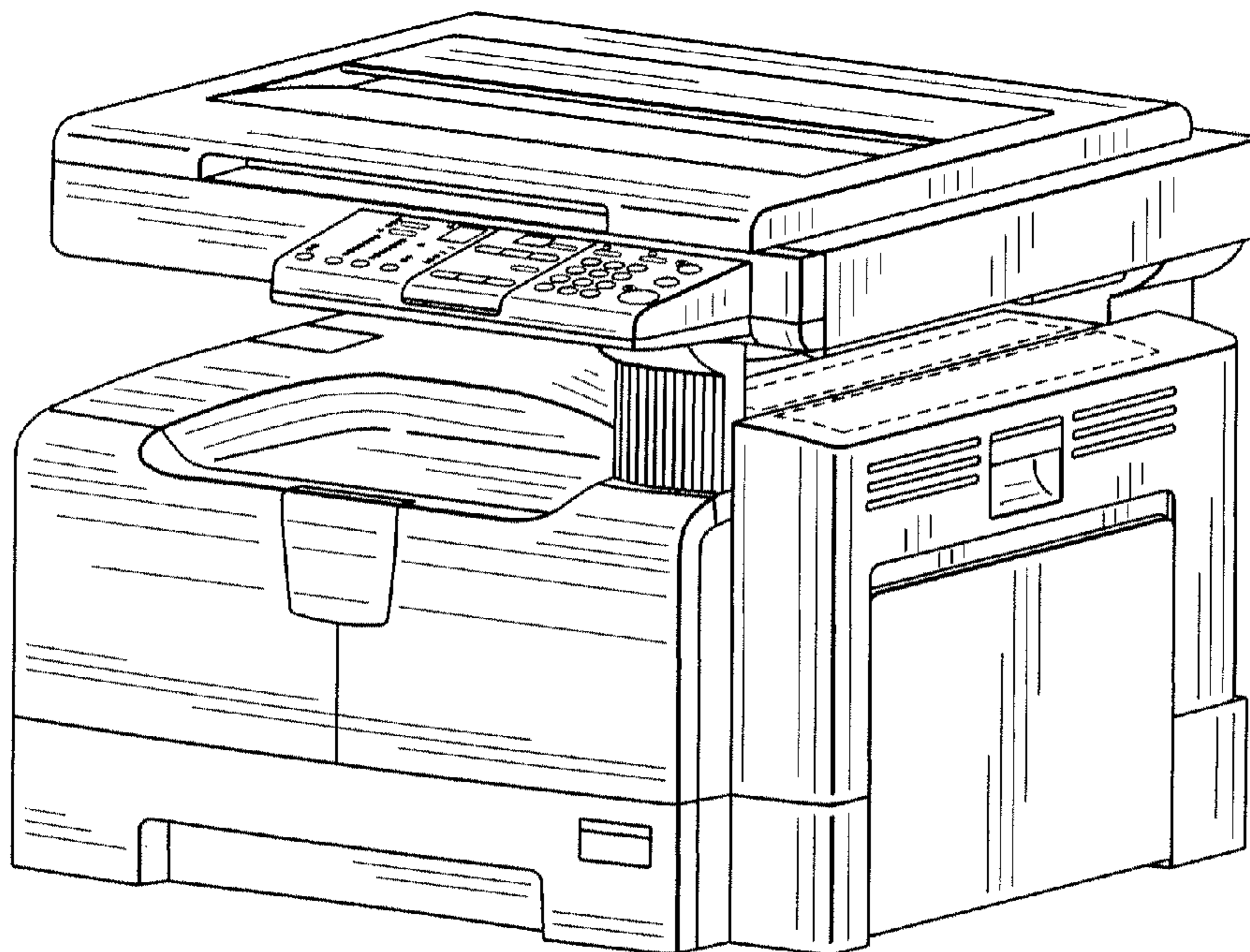
The broken line showing in the drawings is included for the
illustrative purposes only and forms no part of the claimed
design.

(56) **References Cited**

U.S. PATENT DOCUMENTS

D320,808 S * 10/1991 Ishida D18/37
D328,609 S * 8/1992 Isida D18/36
D404,419 S * 1/1999 Kusanagi D18/39
5,881,333 A * 3/1999 Takahashi et al. 399/2
D425,929 S * 5/2000 Imai D18/36
D433,439 S * 11/2000 Yoshida et al. D18/36
D451,124 S * 11/2001 Isomoto D18/39
D458,298 S * 6/2002 Katsuyama et al. D18/36

1 Claim, 7 Drawing Sheets



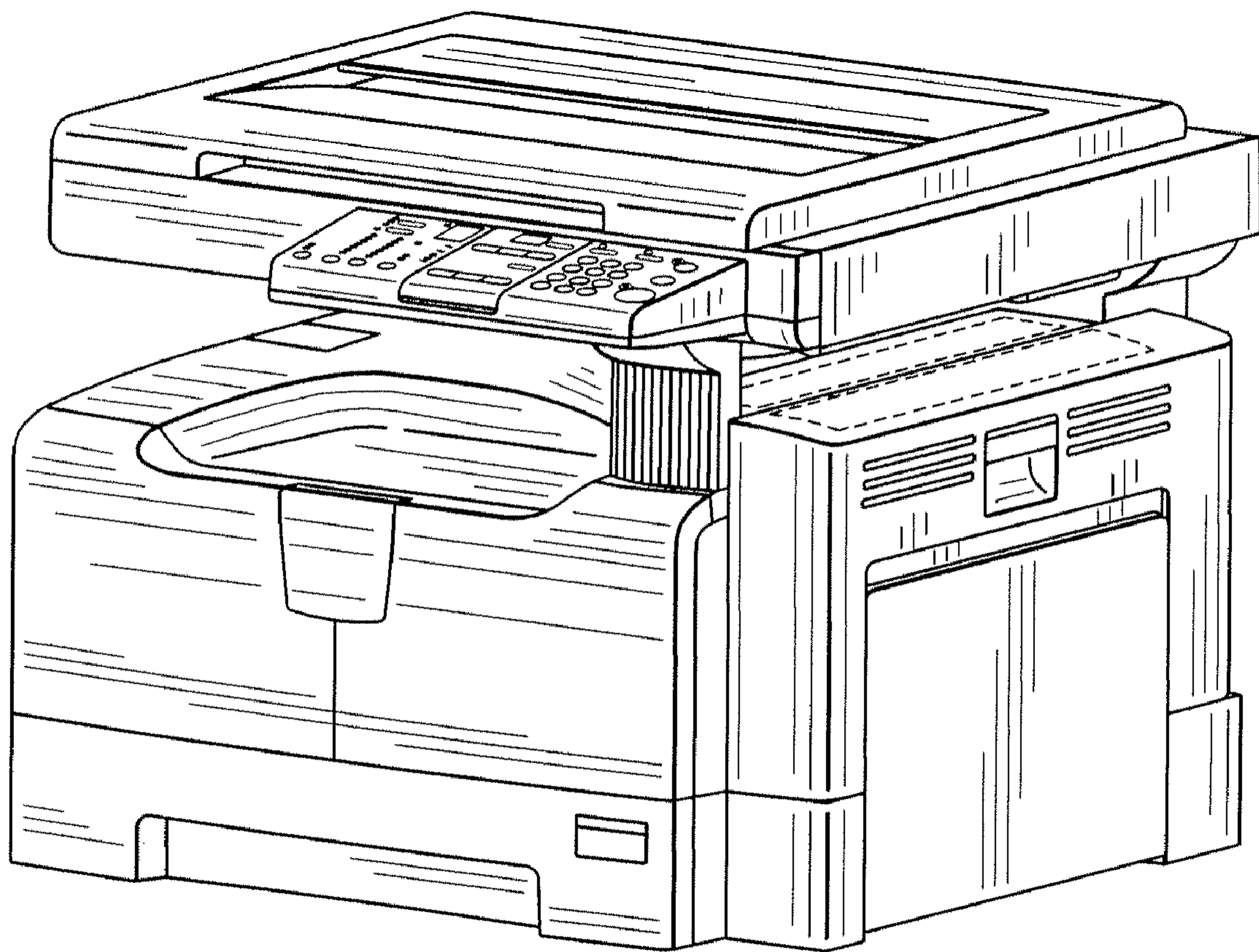


FIG. 1

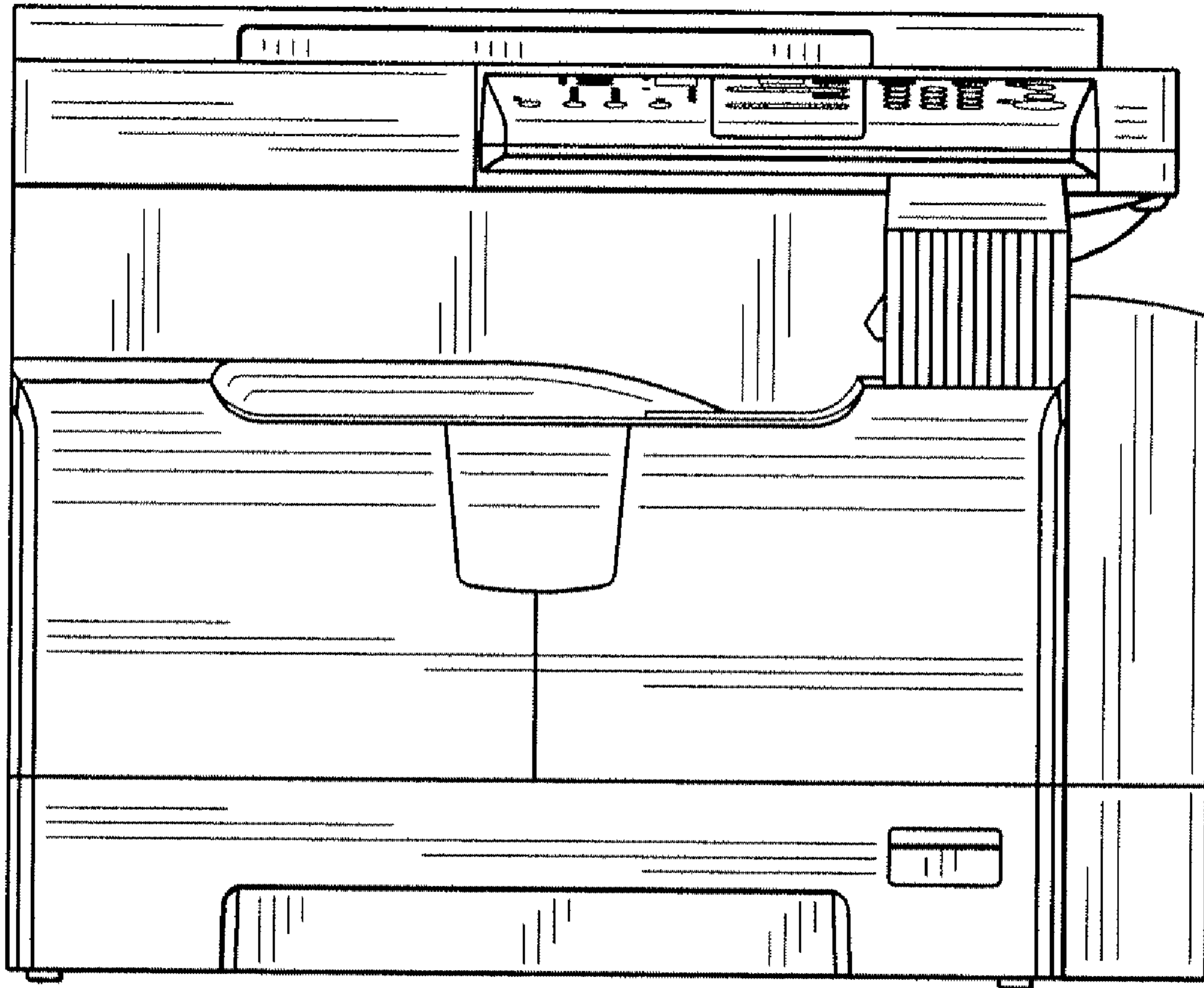


FIG. 2

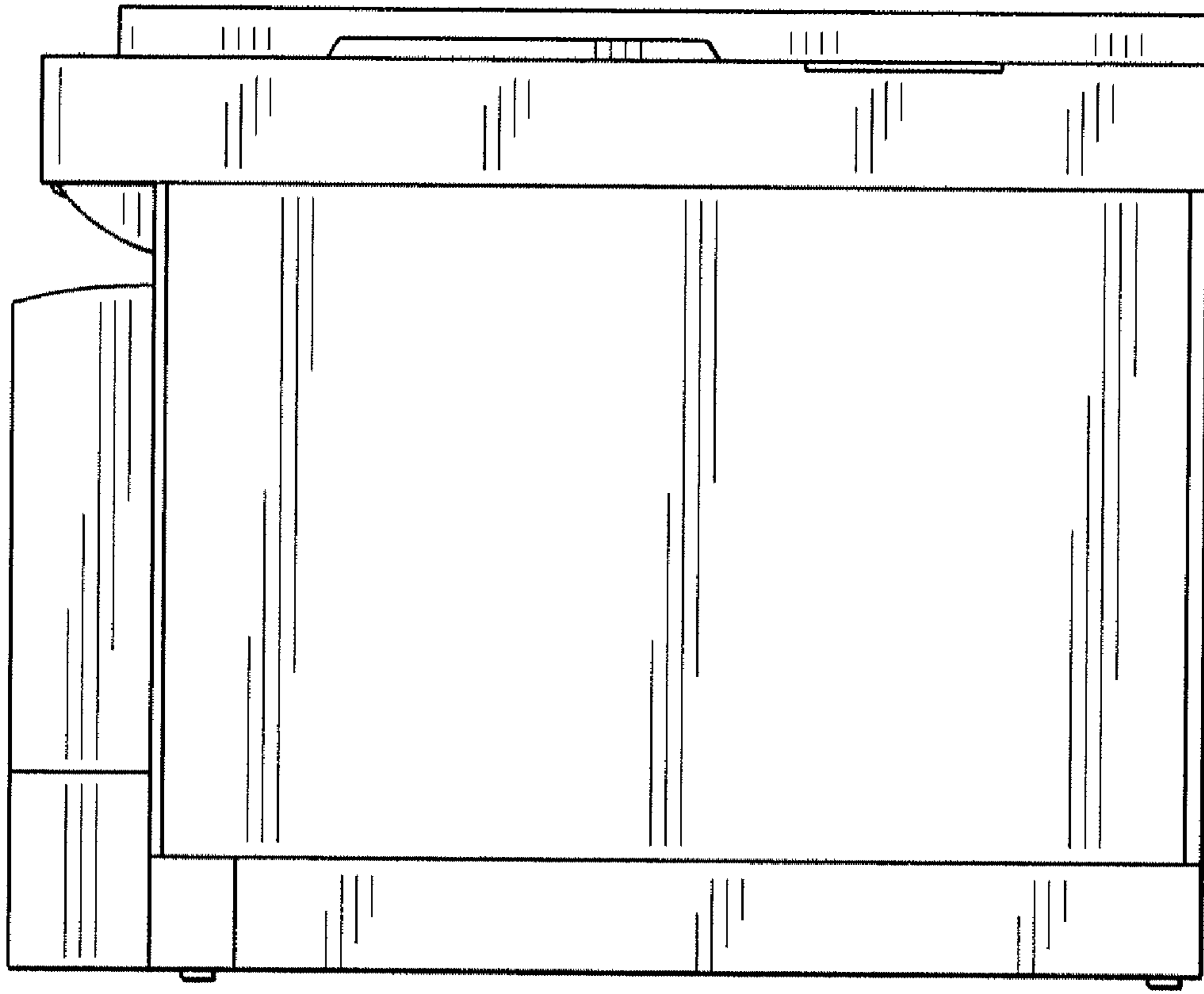


FIG. 3

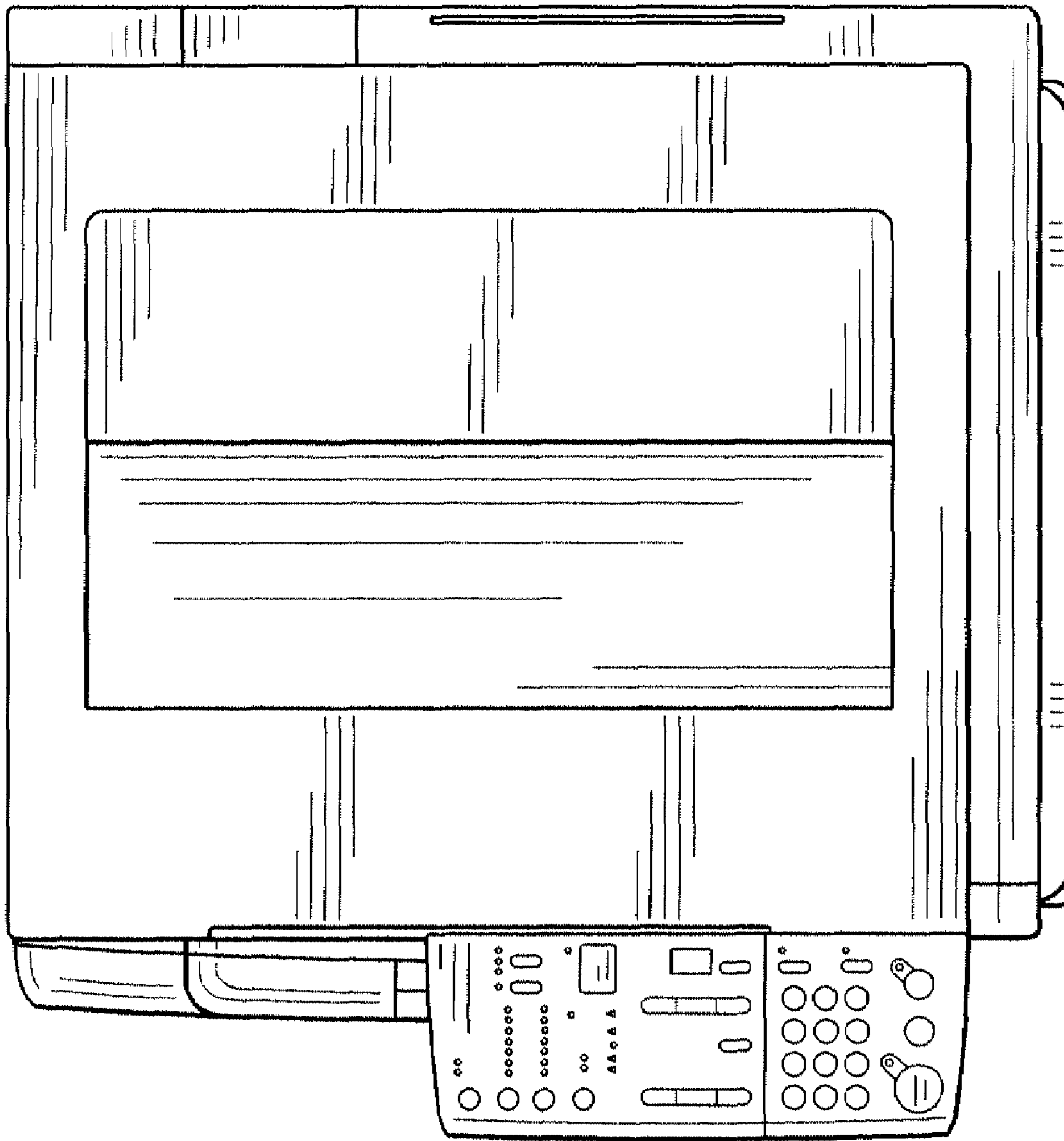


FIG. 4

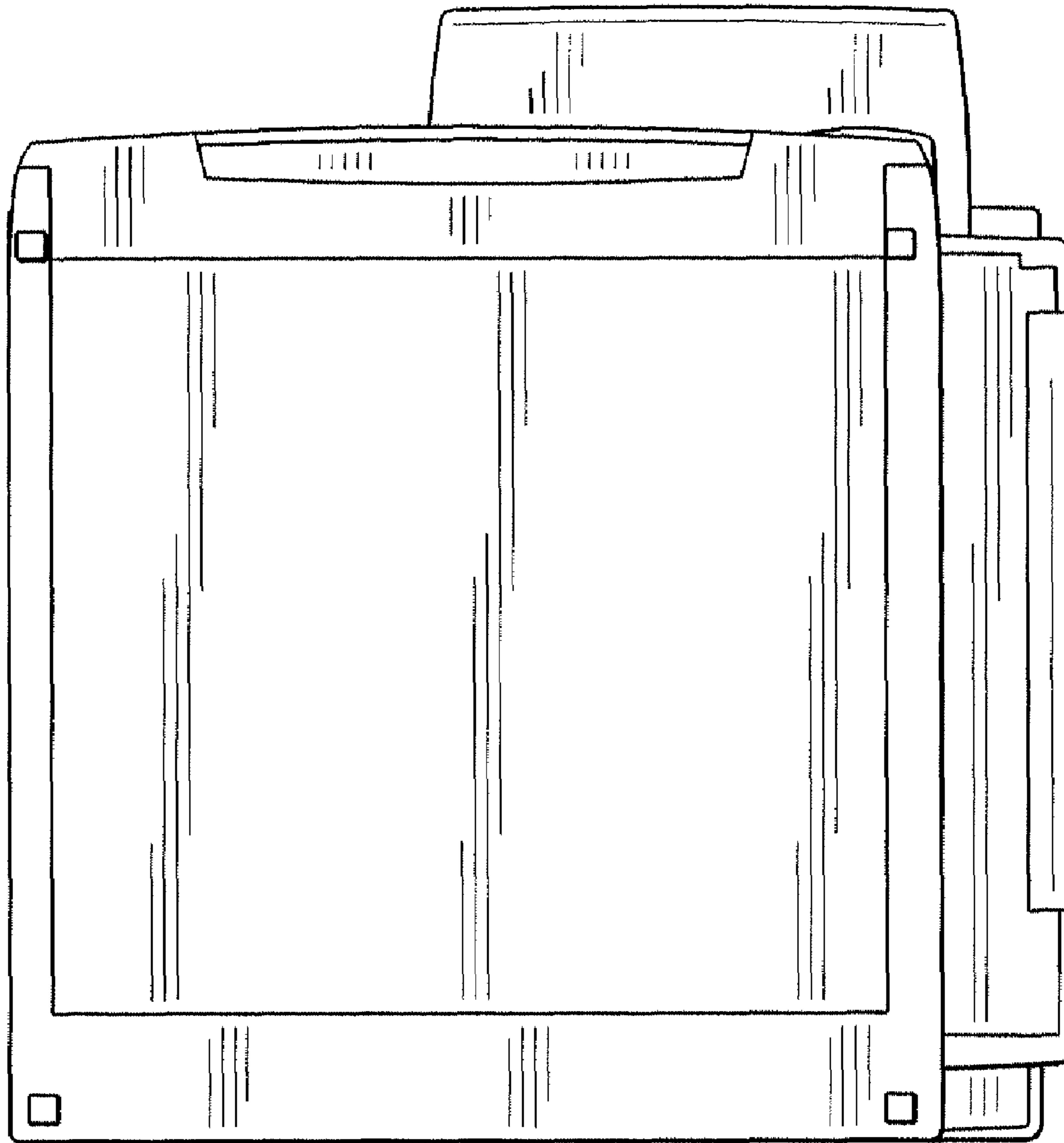


FIG. 5

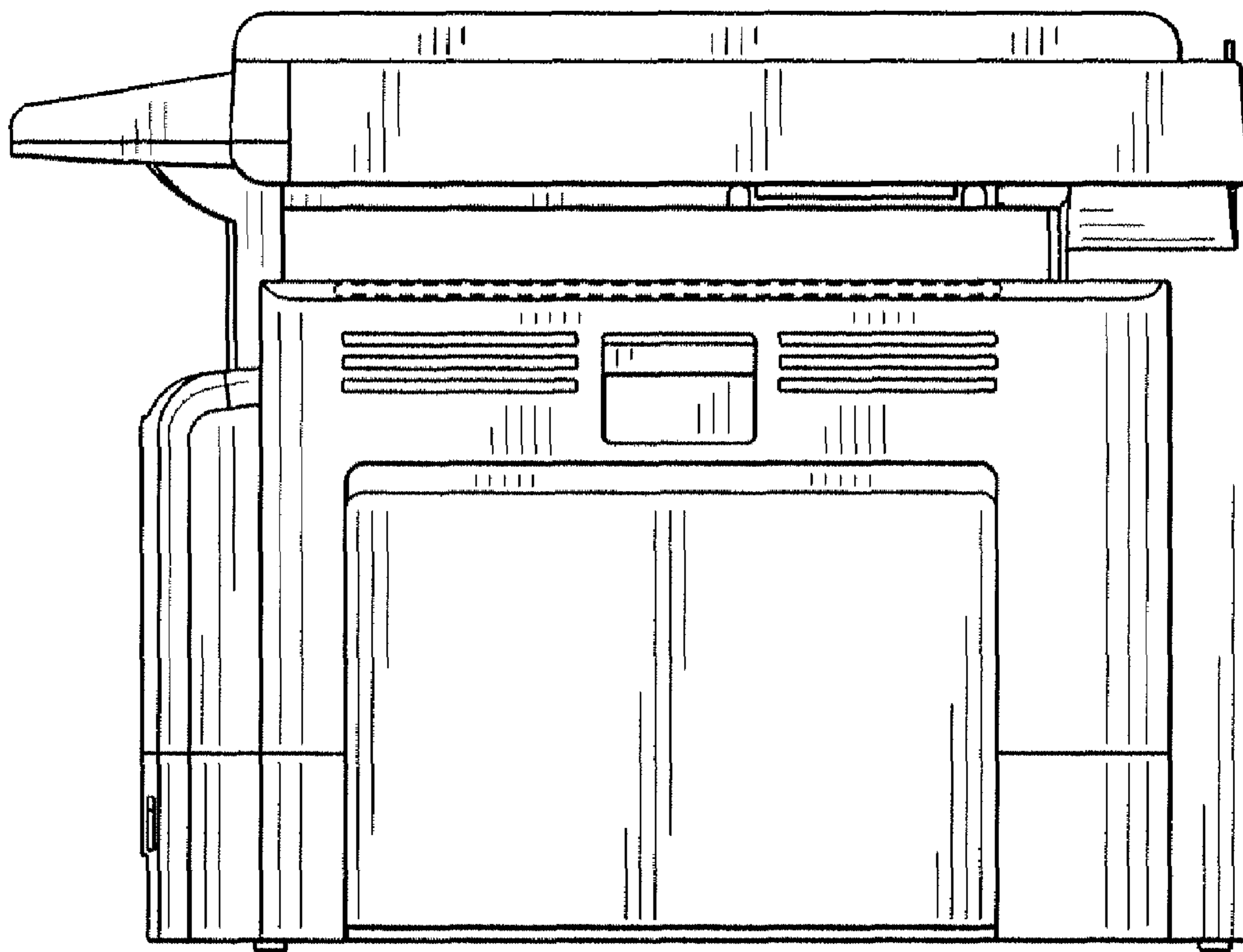


FIG. 6

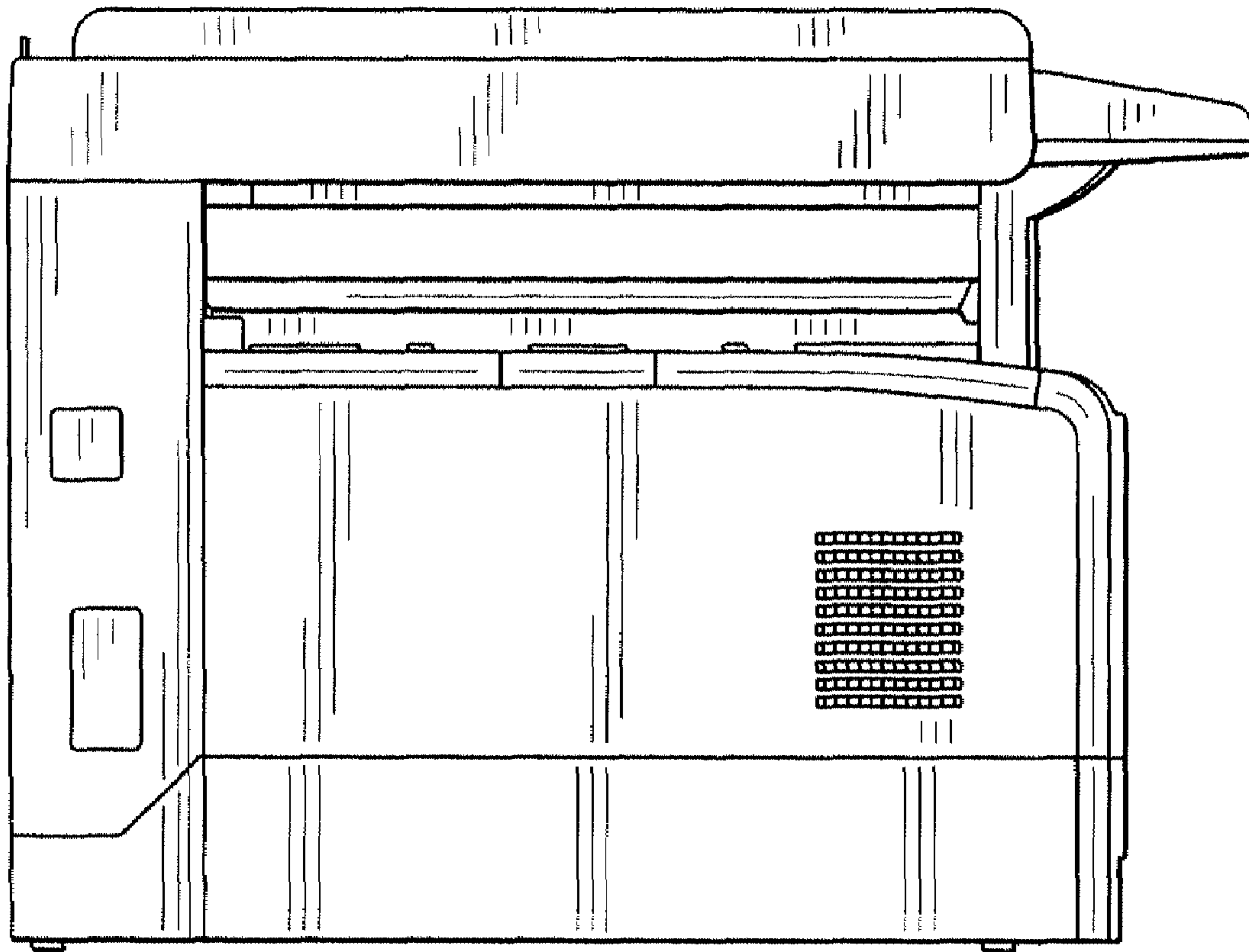


FIG. 7