

US00D548772S

(12) **United States Design Patent**
Brown

(10) **Patent No.:** **US D548,772 S**

(45) **Date of Patent:** **** Aug. 14, 2007**

(54) **CARD IMPRINTER**

D527,043 S * 8/2006 Borne et al. D18/19
D532,039 S * 11/2006 Beck et al. D18/50
D536,370 S * 2/2007 Smolenski et al. D18/50

(75) Inventor: **Eric Hastings Brown**, Mount Pleasant,
SC (US)

FOREIGN PATENT DOCUMENTS

(73) Assignee: **Data Systems Company**, Mount
Pleasant, SC (US)

GB 2049303 * 12/1995
GB 2104489 * 9/2001

(**) Term: **14 Years**

* cited by examiner

(21) Appl. No.: **29/269,151**

Primary Examiner—Charles A. Rademaker
(74) *Attorney, Agent, or Firm*—McNair Law Firm, P.A.

(22) Filed: **Nov. 21, 2006**

(57) **CLAIM**

(51) **LOC (8) Cl.** **18-02**

(52) **U.S. Cl.** **D18/14**

(58) **Field of Classification Search** D18/50,
D18/52, 53, 54, 56, 14, 18, 19; D14/399;
D13/164, 168; 400/613, 613.1–613.4, 691–694;
101/93.4, 269; 355/78

The ornamental design for a card imprinter, as shown and described.

See application file for complete search history.

DESCRIPTION

(56) **References Cited**

U.S. PATENT DOCUMENTS

D246,870 S * 1/1978 Kalb et al. D18/14
D254,006 S * 1/1980 Genaro et al. D18/54.1
D267,806 S * 2/1983 Panter D18/15
4,655,132 A * 4/1987 Weickert et al. 101/269
D329,871 S * 9/1992 Umino et al. D18/56
5,394,799 A * 3/1995 Rhodes et al. 101/269
D379,195 S * 5/1997 Stanton D18/50
D386,515 S * 11/1997 Sommerville et al. D18/54.1
D422,631 S * 4/2000 Toriyama et al. D18/50
D430,199 S * 8/2000 Petteruti et al. D18/50

FIG. 1 is a top perspective view of a card imprinter showing my new design;

FIG. 2 is a front elevation thereof;

FIG. 3 is a rear elevation thereof;

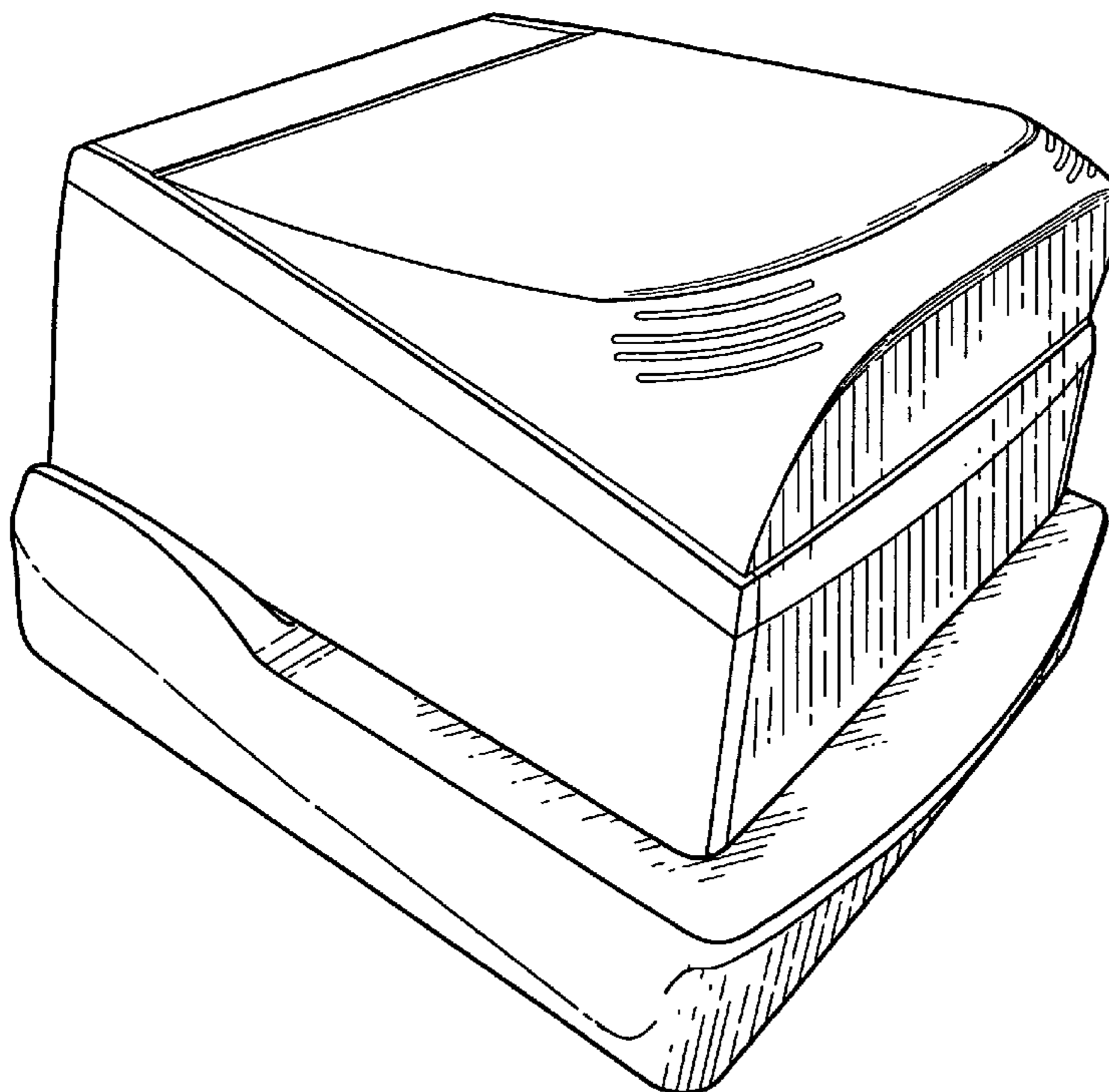
FIG. 4 is a side elevation thereof;

FIG. 5 is a top plan view thereof; and,

FIG. 6 is another top perspective view thereof with the top in an open position.

The broken lines shown in FIGS. 4 and 6 are included for the purpose of illustrating environment and form no part of the claimed design.

1 Claim, 4 Drawing Sheets



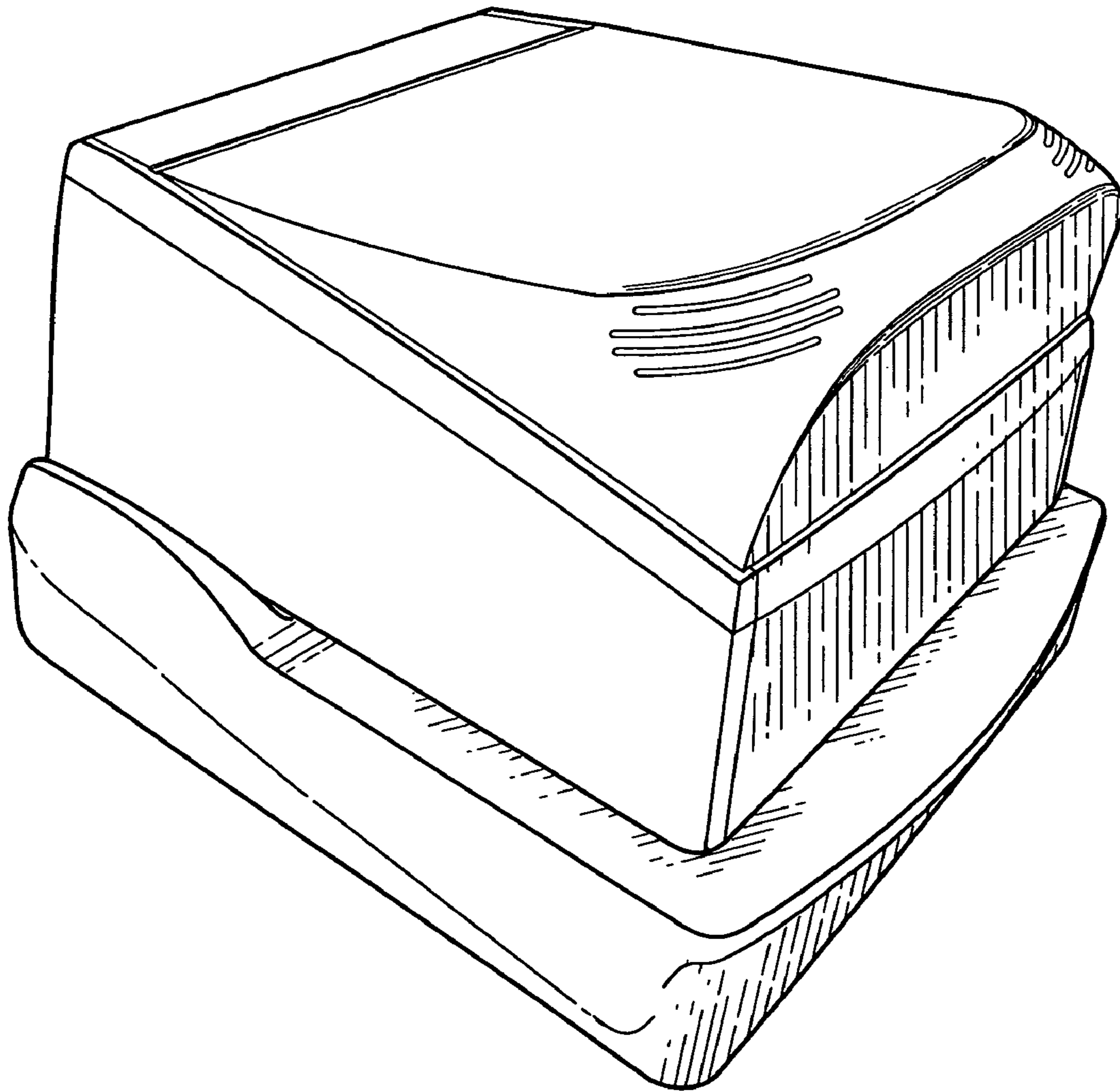


Fig. 1

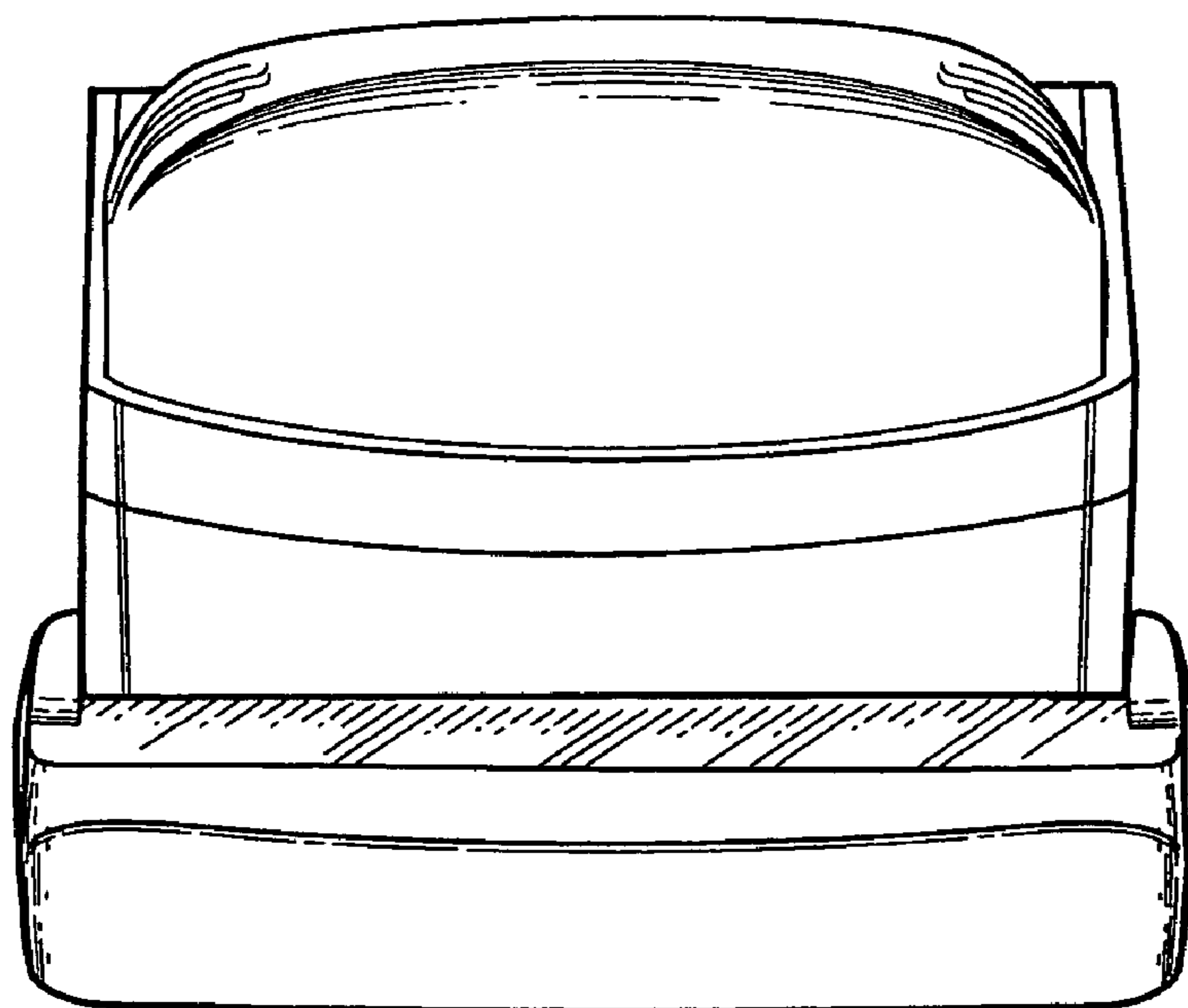


Fig. 2

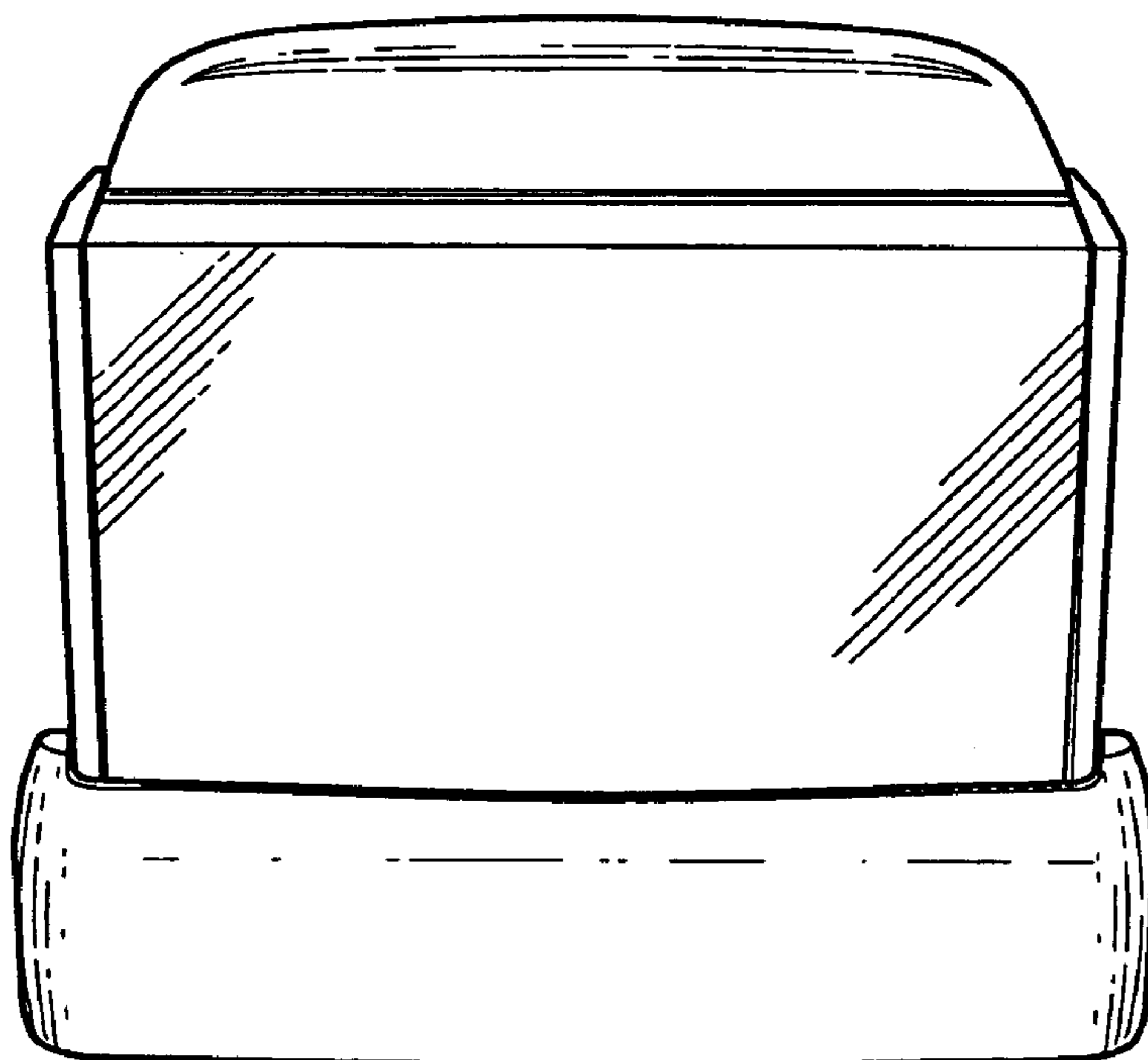


Fig. 3

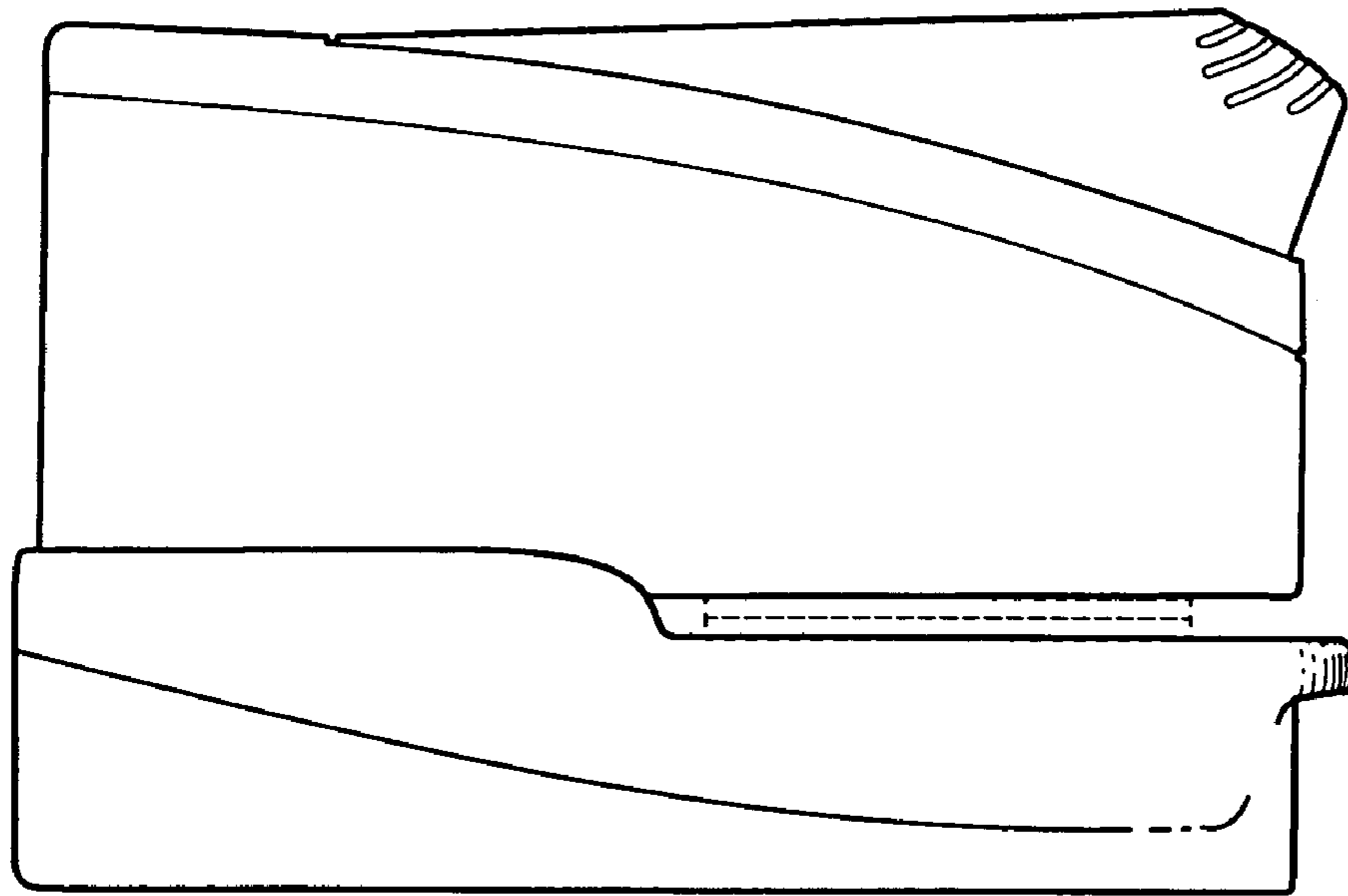


Fig. 4

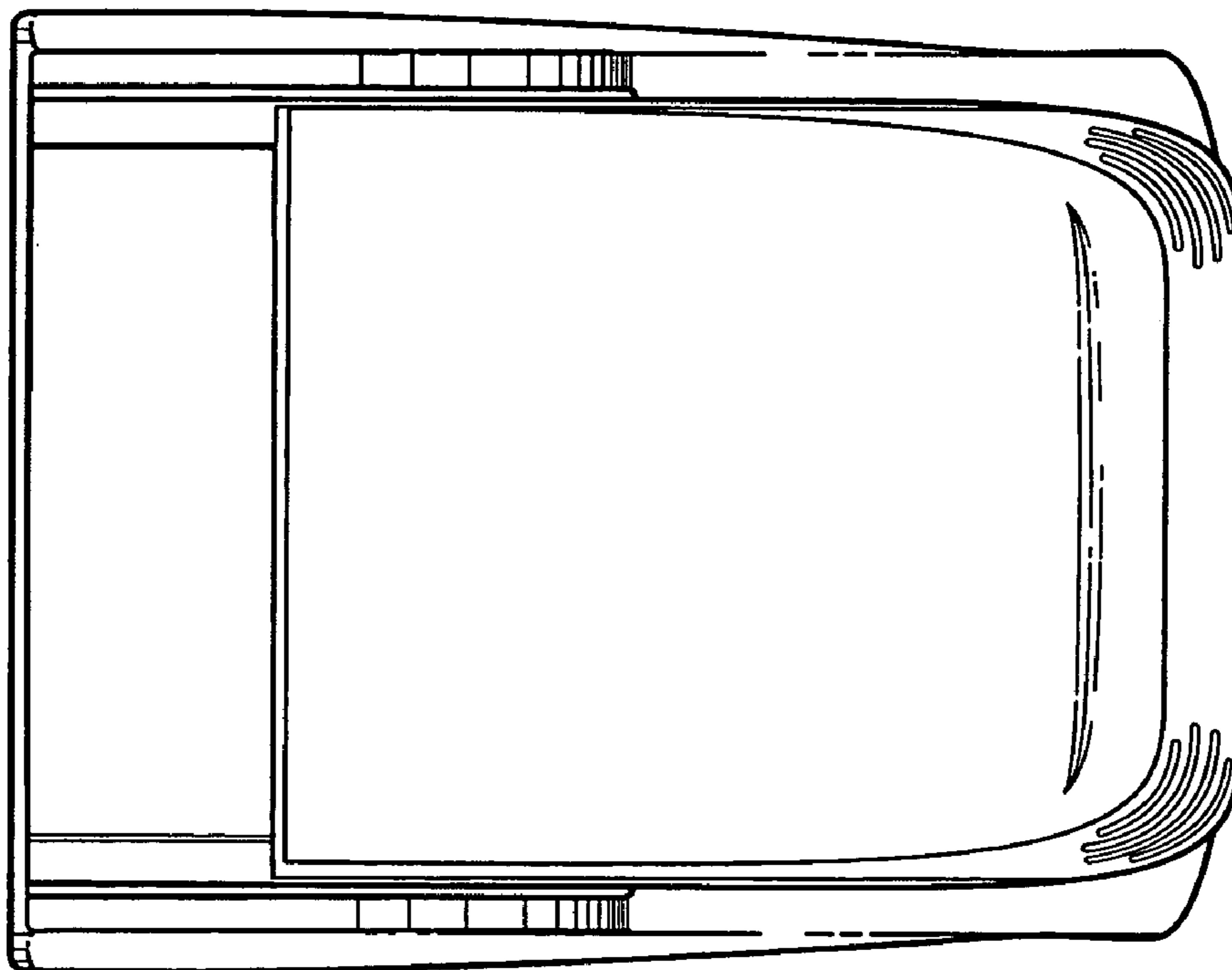


Fig. 5

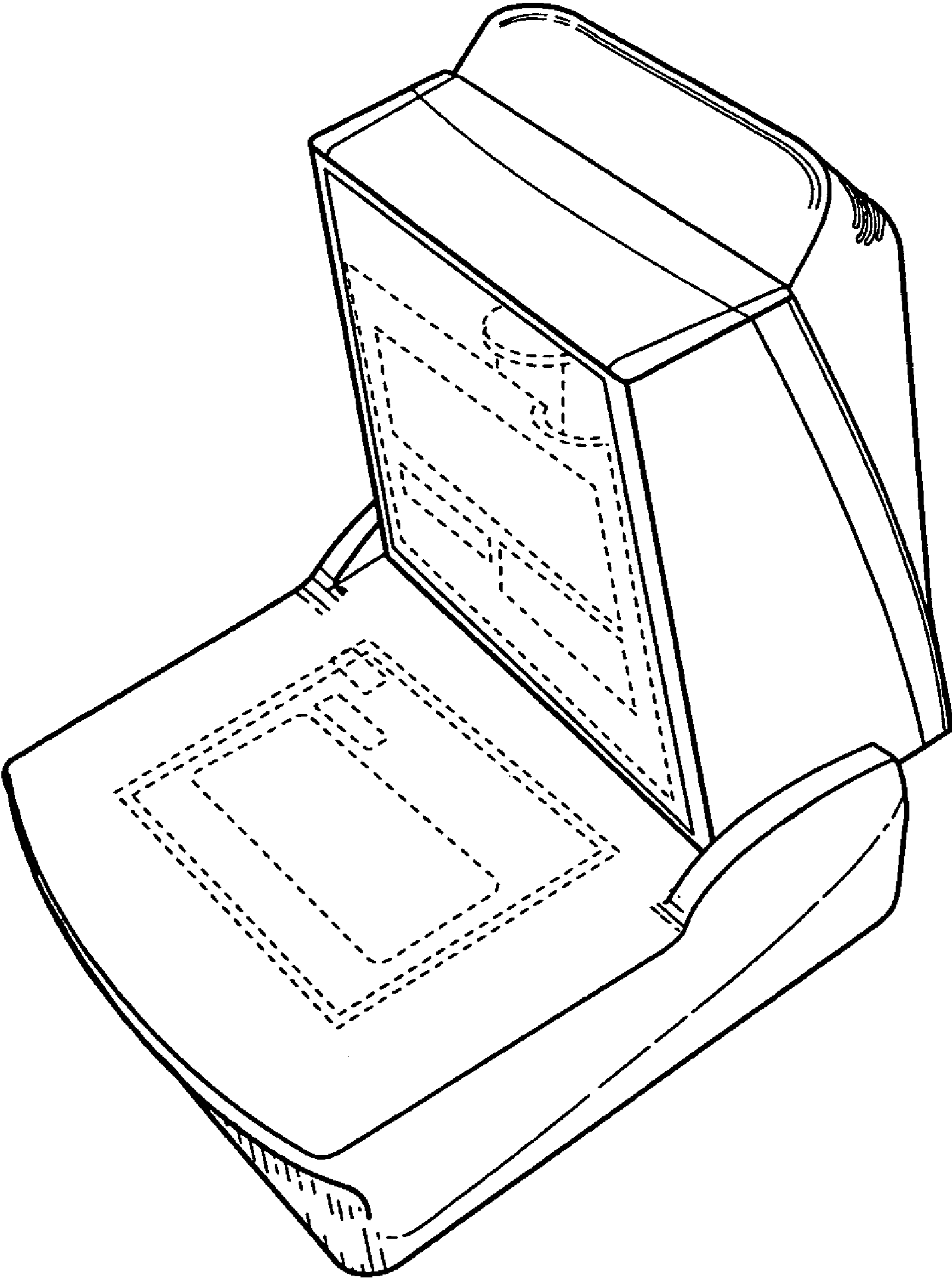


Fig. 6