

US00D548766S

(12) **United States Design Patent**  
**Nishiwaki et al.**

(10) **Patent No.: US D548,766 S**

(45) **Date of Patent: \*\* Aug. 14, 2007**

(54) **WRIST STRAP FOR A VIDEO CAMERA**

(75) Inventors: **Kenji Nishiwaki**, Ehime (JP);  
**Shigetada Ninomiya**, Ehime (JP)

(73) Assignee: **Matsushita Electric Industrial Co., Ltd.**, Osaka (JP)

(\*\*) Term: **14 Years**

(21) Appl. No.: **29/254,379**

(22) Filed: **Feb. 22, 2006**

(30) **Foreign Application Priority Data**

Oct. 28, 2005 (JP) ..... 2005-031661

(51) **LOC (8) Cl.** ..... **16-05**

(52) **U.S. Cl.** ..... **D16/243; D16/219; D16/242**

(58) **Field of Classification Search** ..... D16/200–209,  
D16/219, 242, 243, 245; D21/514; 348/373–376;  
396/419–420, 422–424; 358/906, 909.1;  
224/175, 178, 908, 909; 24/200; D3/287,  
D3/318, 327

See application file for complete search history.

(56) **References Cited**

**U.S. PATENT DOCUMENTS**

- 4,819,016 A \* 4/1989 Leonard et al. .... 396/423
- D315,165 S \* 3/1991 Leonard et al. .... D16/200
- D316,419 S \* 4/1991 Matsumura ..... D16/202
- D316,556 S \* 4/1991 Reddig et al. .... D16/209
- D394,075 S 5/1998 Ninomiya et al.
- 5,781,807 A \* 7/1998 Glassgold et al. .... 396/71
- D406,157 S 2/1999 Goto
- D408,042 S 4/1999 Onoda et al.
- D408,043 S 4/1999 Goto et al.
- D408,428 S 4/1999 Ninomiya et al.
- D410,017 S 5/1999 Goto et al.
- D413,910 S 9/1999 Onoda et al.
- D413,911 S 9/1999 Goto et al.

- D418,852 S 1/2000 Onoda et al.
- D419,169 S 1/2000 Masano
- D469,793 S 2/2003 Onoda et al.
- D469,794 S 2/2003 Onoda et al.
- D471,218 S \* 3/2003 Sekine ..... D16/202
- D483,781 S \* 12/2003 Granaas et al. .... D16/202
- D490,456 S 5/2004 Masano et al.
- D507,290 S 7/2005 Nishiwaki

**FOREIGN PATENT DOCUMENTS**

- JP D1098408 1/2001
- JP D1148210 7/2002

(Continued)

*Primary Examiner*—Ian Simmons  
*Assistant Examiner*—Wan Laymon  
(74) *Attorney, Agent, or Firm*—Brinks Hofer Gilson & Lione

(57) **CLAIM**

We claim the ornamental design for a wrist strap for a video camera, as shown and described.

**DESCRIPTION**

FIG. 1 is a front perspective view of a wrist strap for a video camera of the present invention;

FIG. 2 is a rear perspective view thereof;

FIG. 3 is a front view thereof;

FIG. 4 is a first side view thereof;

FIG. 5 is a rear view thereof;

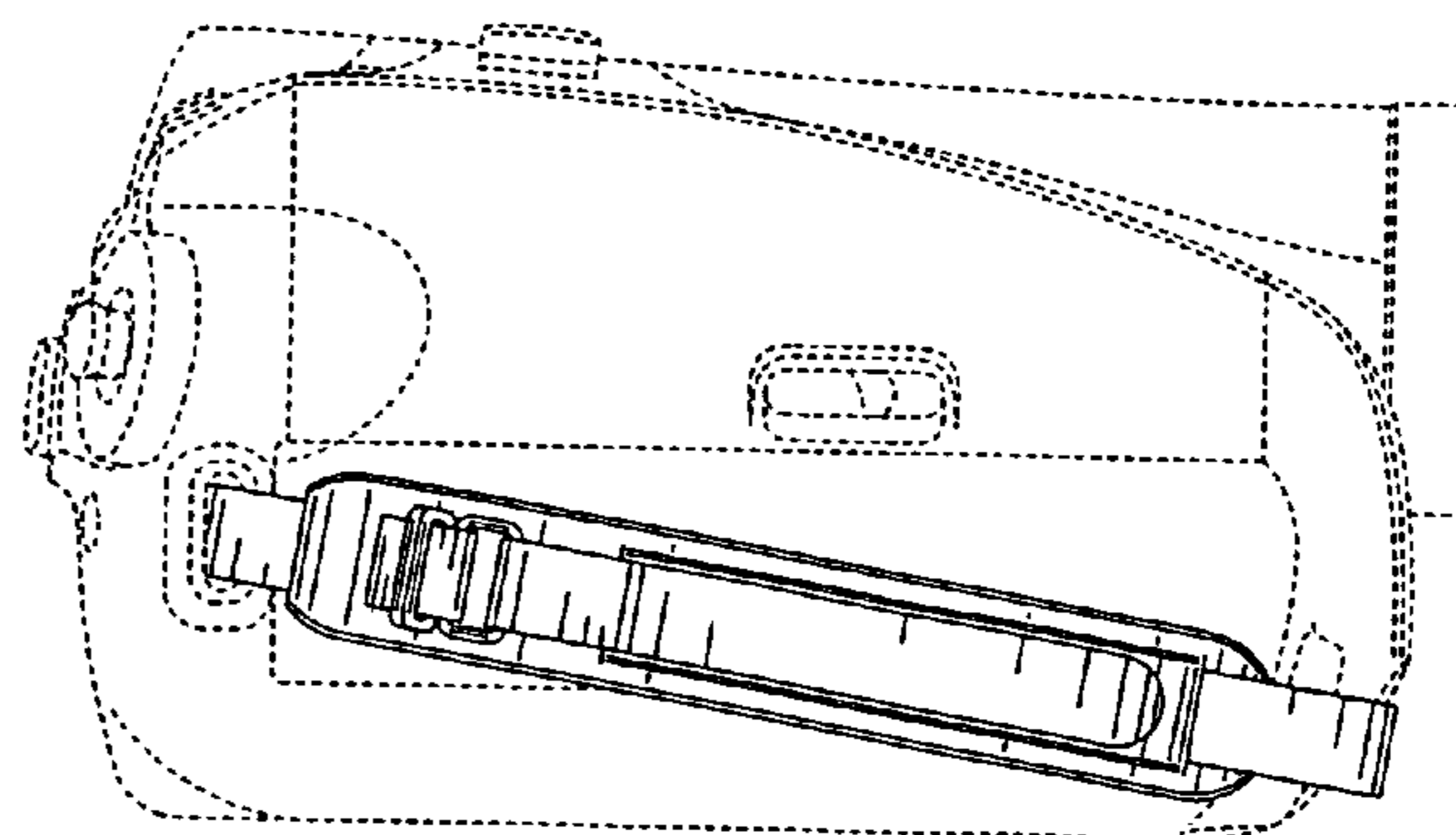
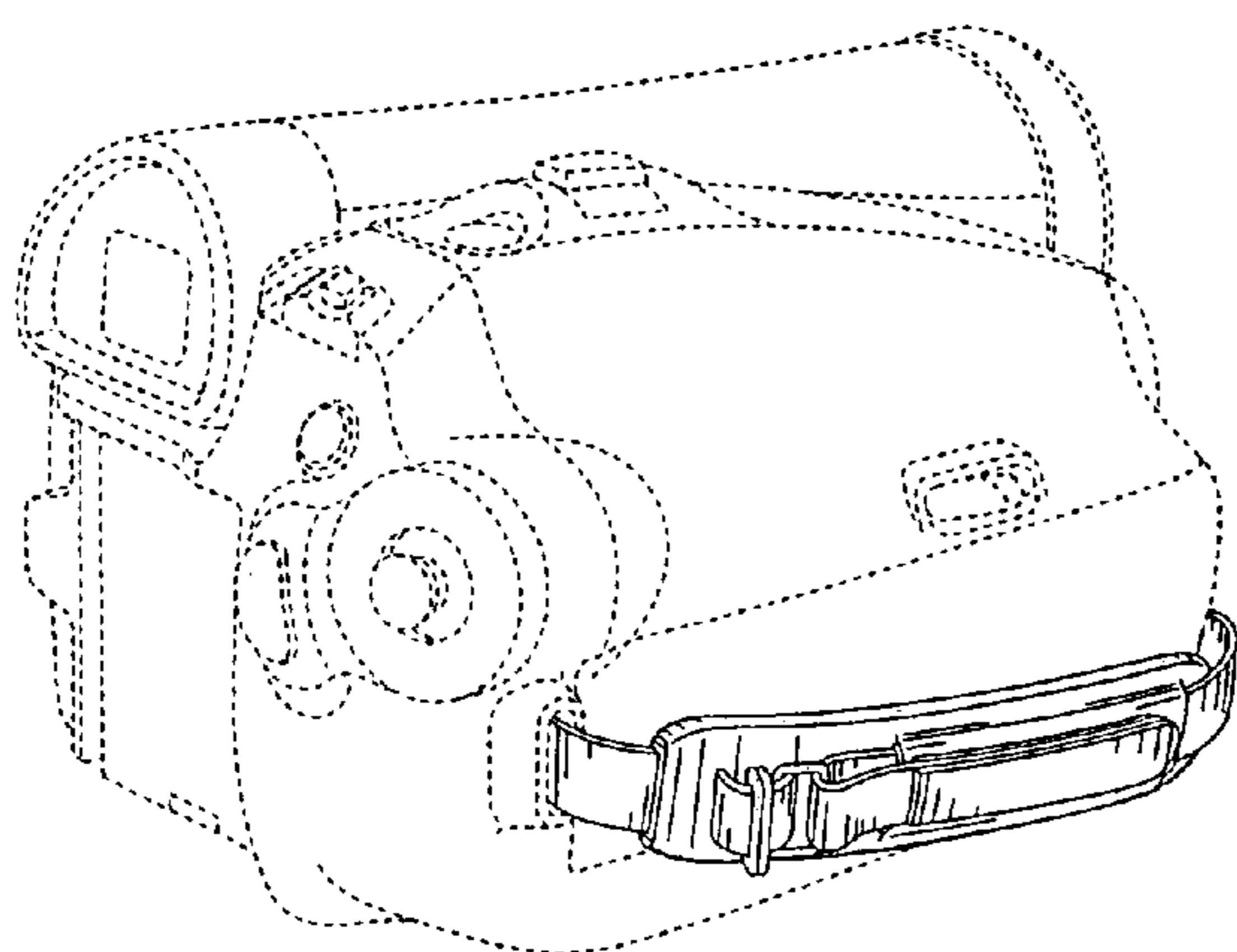
FIG. 6 is an opposite that shown in FIG. 4 thereof;

FIG. 7 is a top view thereof; and,

FIG. 8 is a bottom view thereof.

Any broken lines in the drawings are for illustrative purposes only and form no part of the claimed design.

**1 Claim, 4 Drawing Sheets**



# US D548,766 S

Page 2

---

FOREIGN PATENT DOCUMENTS					
			JP	D1214067	8/2004
			JP	D1214068	8/2004
			JP	D1214069	8/2004
			JP	D1214081	8/2004
			JP	D1222710	11/2004
			JP	D1249190	8/2005
			JP	D1249202	8/2005
			* cited by examiner		
JP	D1149265	8/2002			
JP	D1182522	8/2003			
JP	D1182523	8/2003			
JP	D1182530	8/2003			
JP	D1182689	8/2003			
JP	D1192950	12/2003			
JP	D1196437	2/2004			

Fig. 1

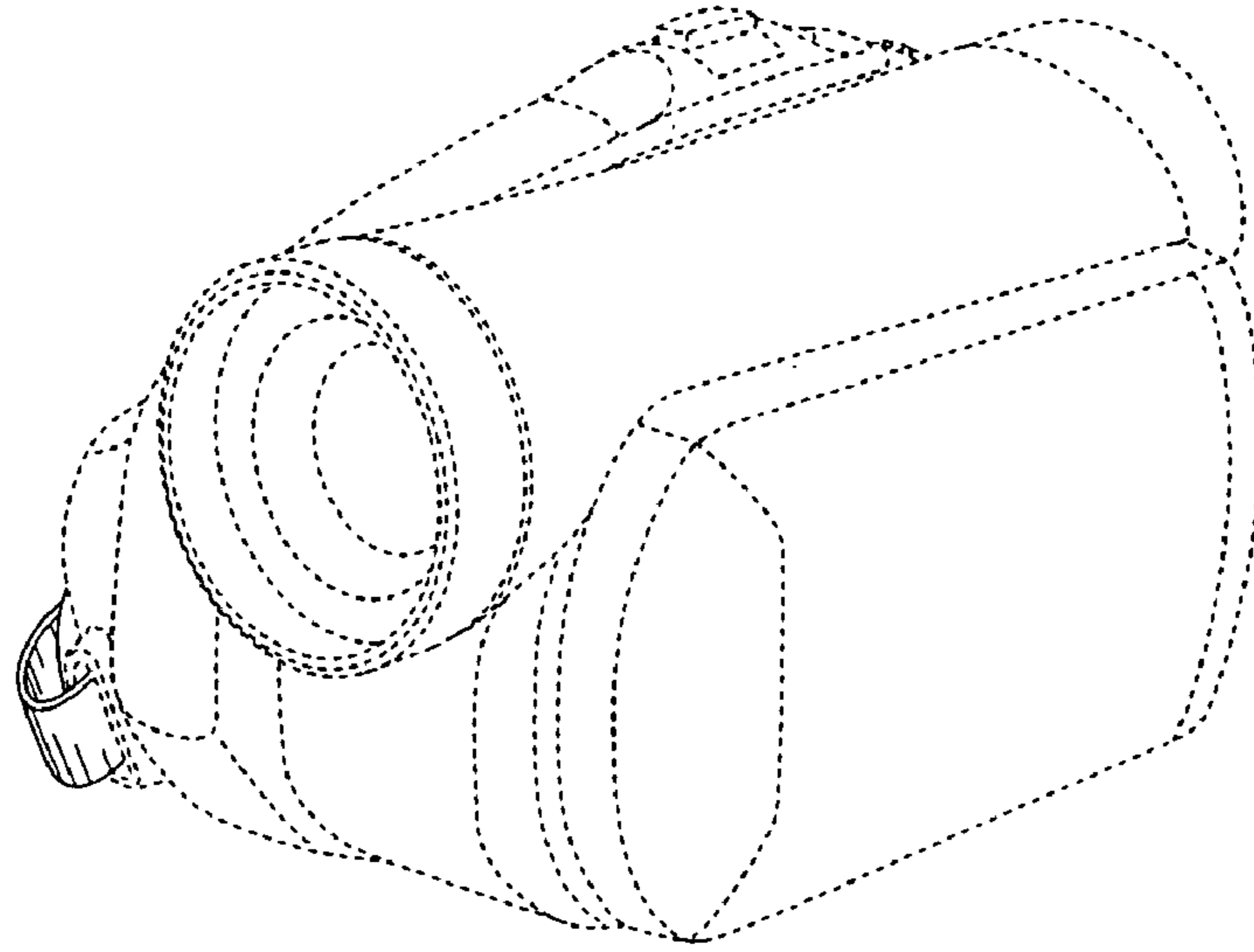


Fig. 2

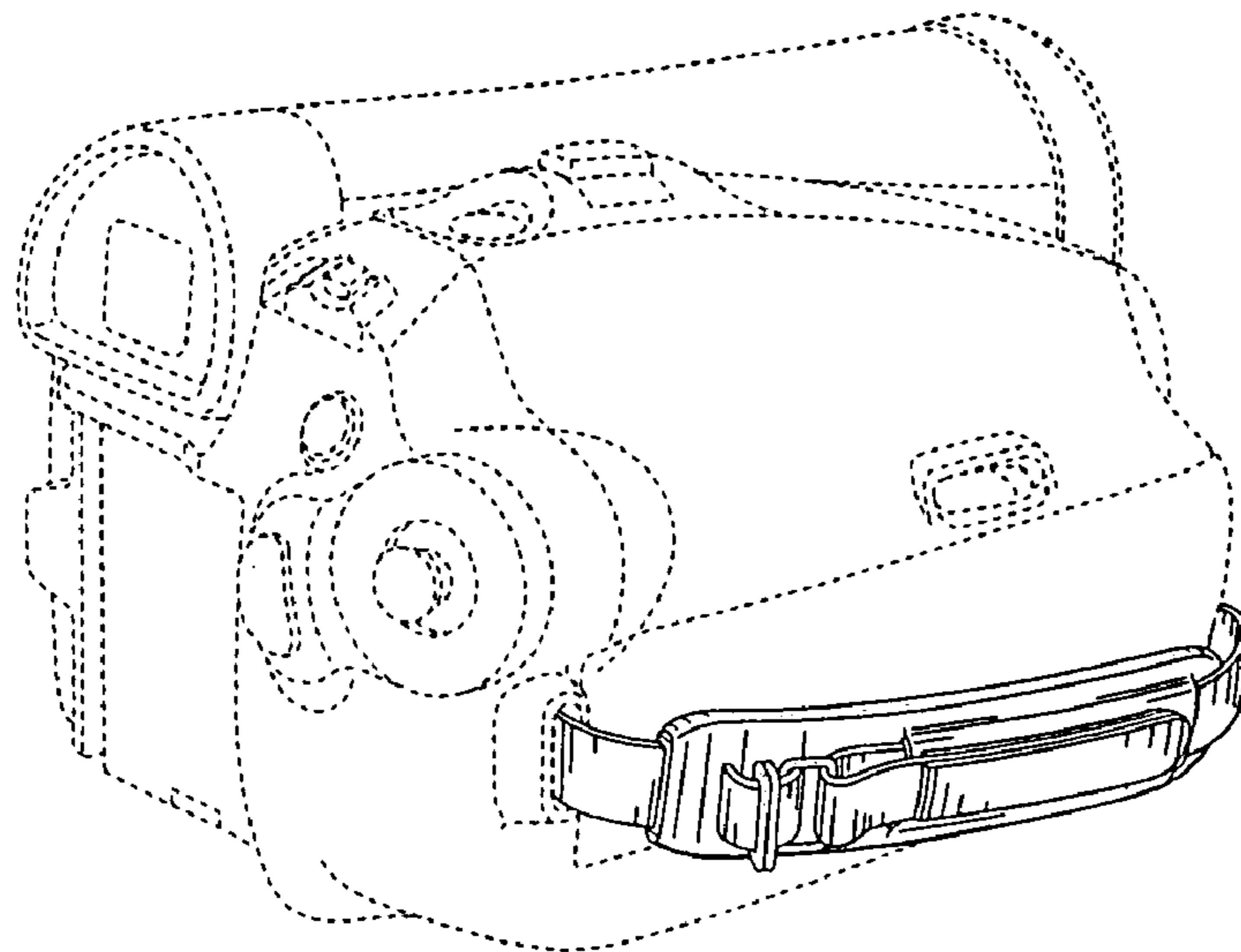


Fig.3

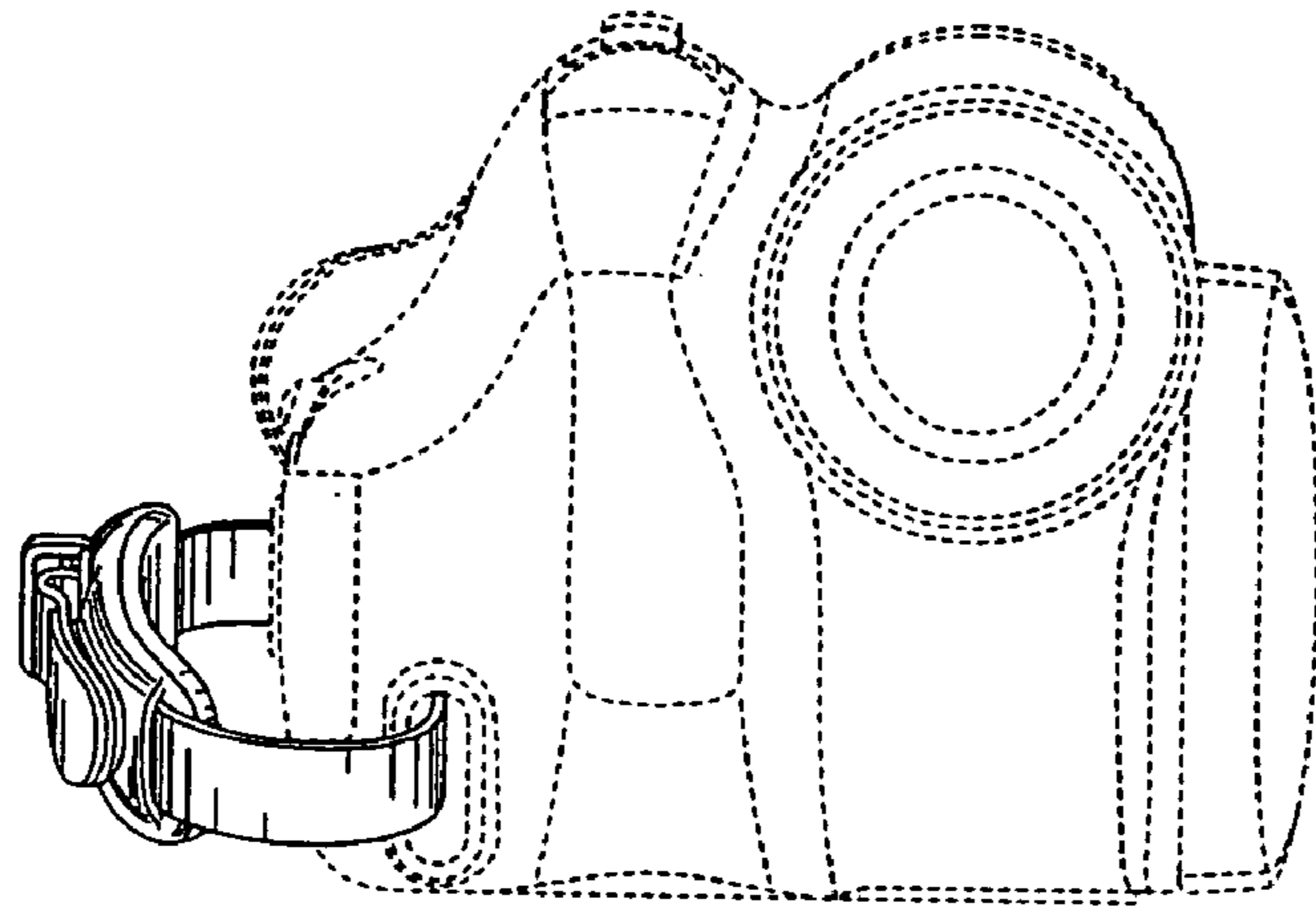


Fig.4

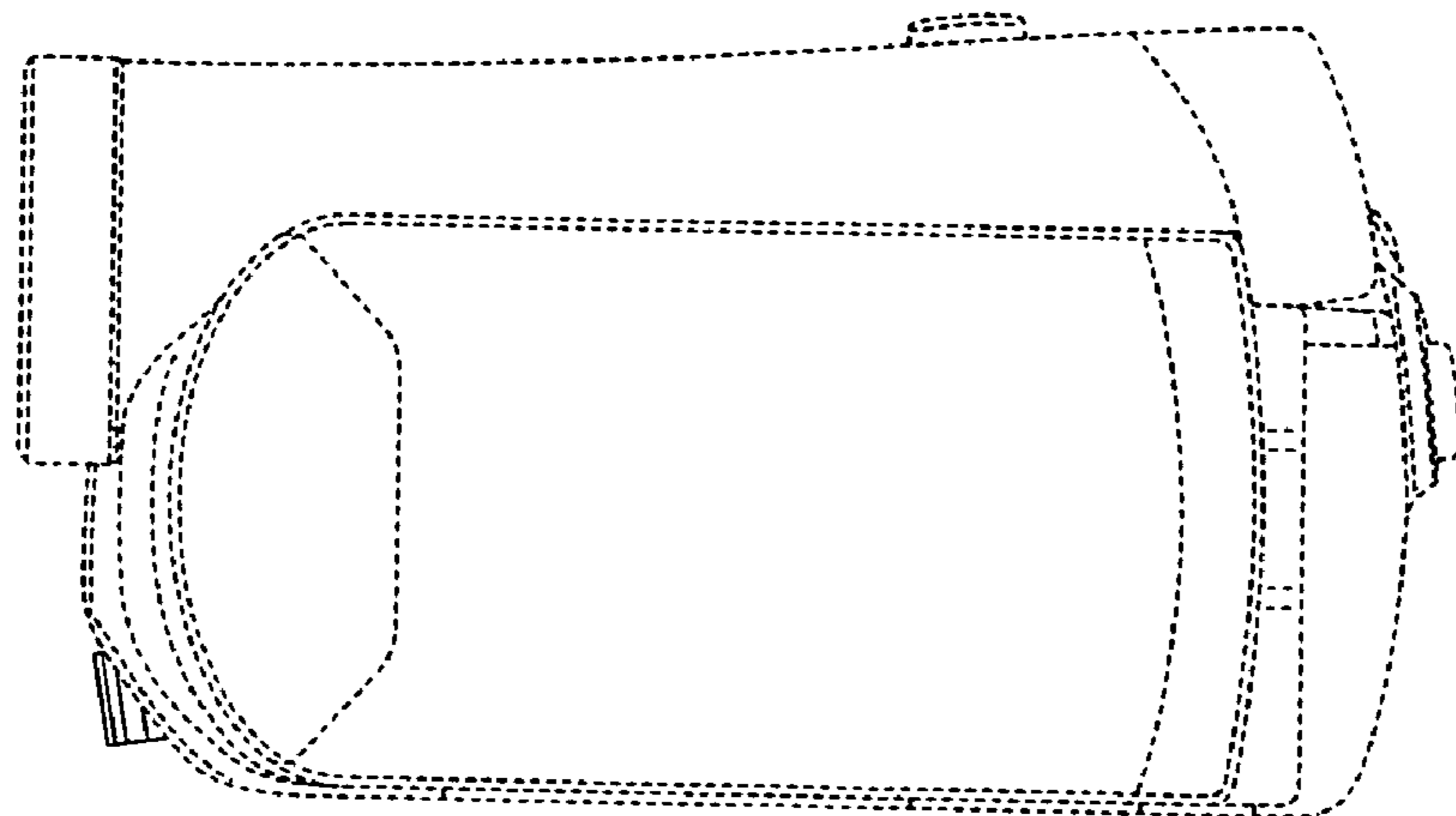


Fig.5

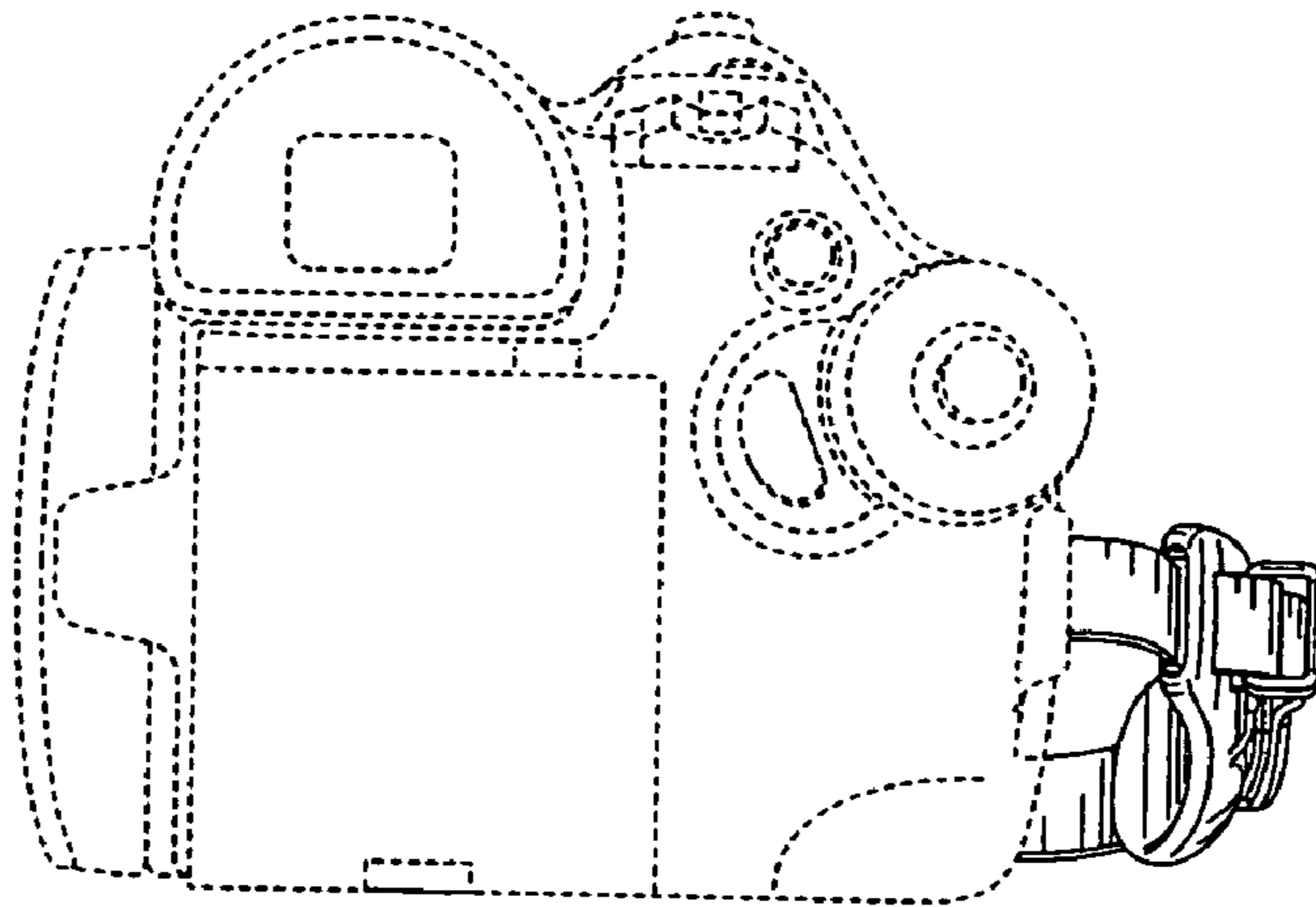


Fig.6

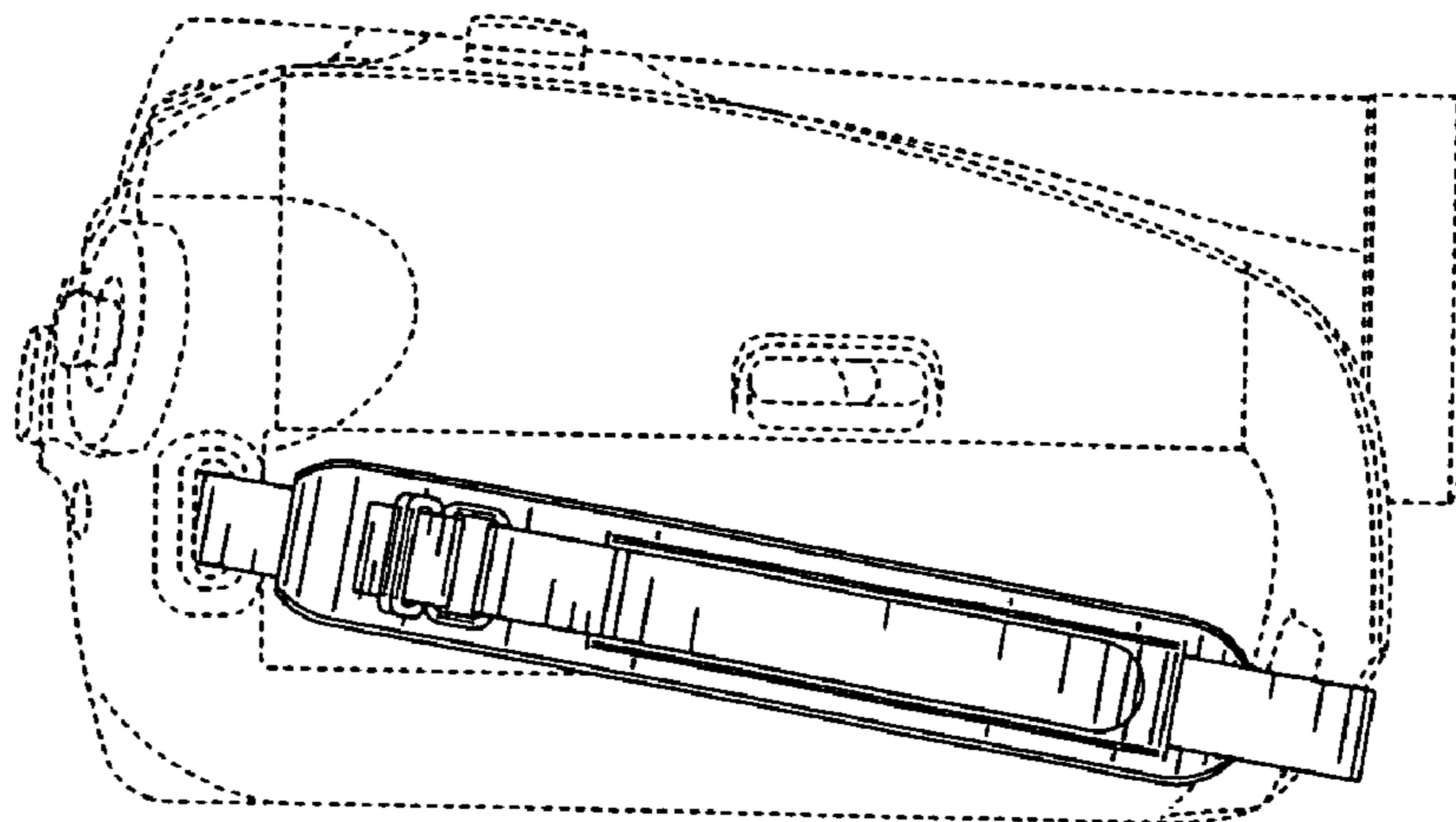




Fig7



Fig8

