

US00D548761S

(12) **United States Design Patent**
Kung

(10) **Patent No.:** **US D548,761 S**

(45) **Date of Patent:** **** Aug. 14, 2007**

(54) **TELESCOPE**

(75) Inventor: **Su-Min Kung, Shi-Jr (TW)**

(73) Assignee: **Hunter Optical Co., Ltd., Taipei Hsien (TW)**

(**) Term: **14 Years**

(21) Appl. No.: **29/262,591**

(22) Filed: **Jul. 7, 2006**

(51) **LOC (8) Cl.** **16-06**

(52) **U.S. Cl.** **D16/132**

(58) **Field of Classification Search** D16/130,
D16/132; D26/28, 29, 30, 31-36, 37; 359/424,
359/426, 427, 431, 432, 513, 350, 617, 353;
362/109, 157, 158, 184, 186, 200-209, 400,
362/404, 407, 412, 415; D10/104

See application file for complete search history.

(56) **References Cited**

U.S. PATENT DOCUMENTS

- 153,494 A * 7/1874 Nystrom et al. 359/424
- 1,290,078 A * 1/1919 Cappa 359/617
- 1,317,749 A * 10/1919 Aldis 359/424
- D196,531 S * 10/1963 Hoogesteger D16/132
- D247,625 S * 3/1978 Huckenbeck D16/132

- 5,796,518 A * 8/1998 Kato 359/432
- D458,286 S * 6/2002 Kung D16/132
- D490,920 S * 6/2004 Wiesmeth D26/37
- D497,625 S * 10/2004 Kung D16/132

* cited by examiner

Primary Examiner—Paula A. Greene

(74) *Attorney, Agent, or Firm*—Troxell Law Office, PLLC

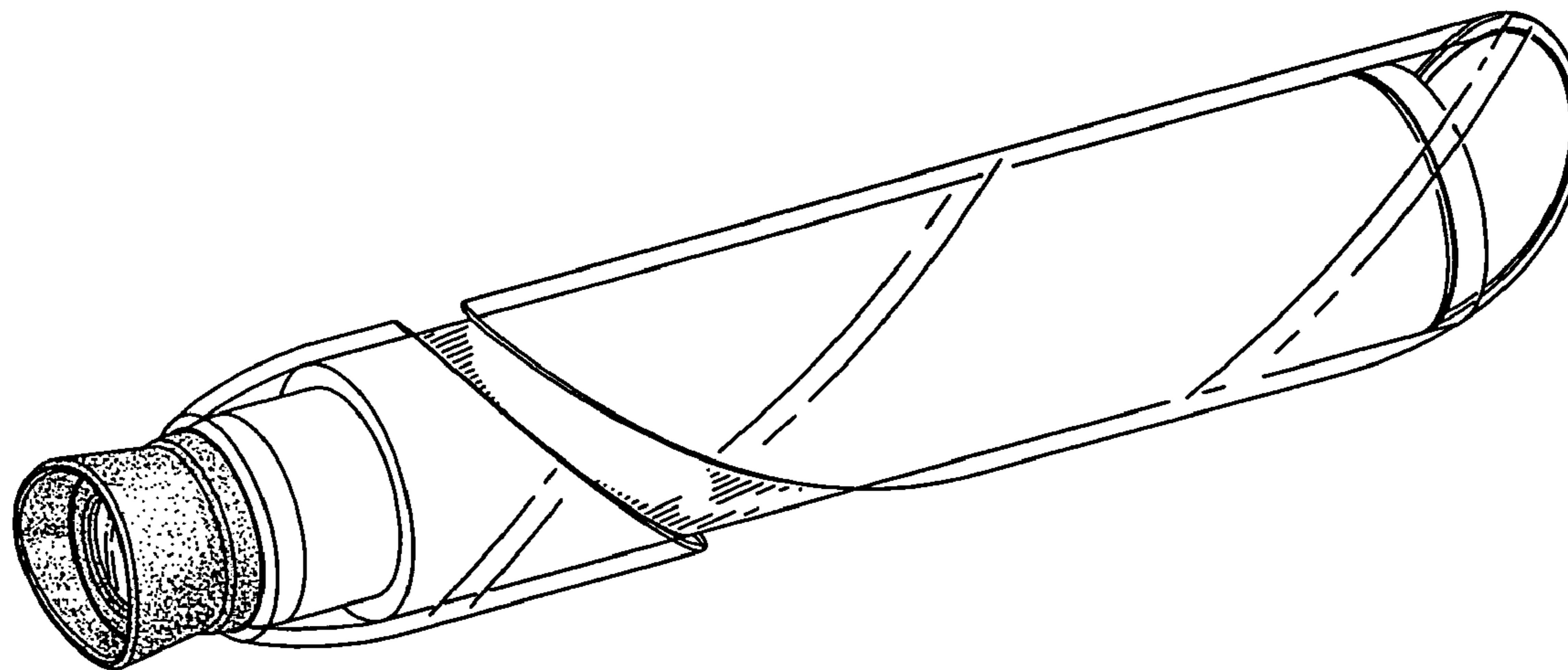
(57) **CLAIM**

The ornamental design for telescope, as shown and described.

DESCRIPTION

- FIG. 1 is a perspective view thereof;
- FIG. 2 is a front view thereof;
- FIG. 3 is a back view thereof;
- FIG. 4 is a left side view thereof;
- FIG. 5 is a right side view thereof;
- FIG. 6 is a top view thereof;
- FIG. 7 is a bottom view thereof; and,
- FIG. 8 is a perspective view thereof, wherein the telescope is in an extended position.

1 Claim, 5 Drawing Sheets



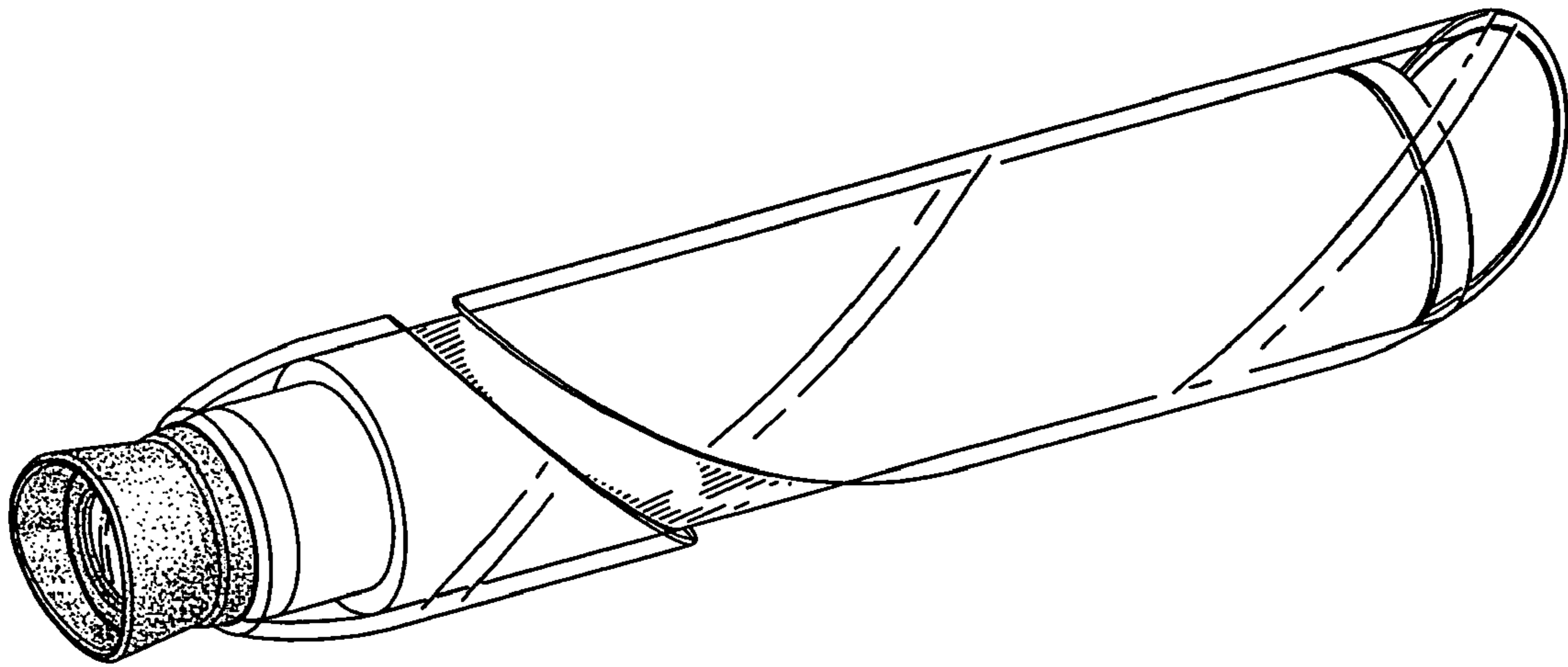


FIG. 1

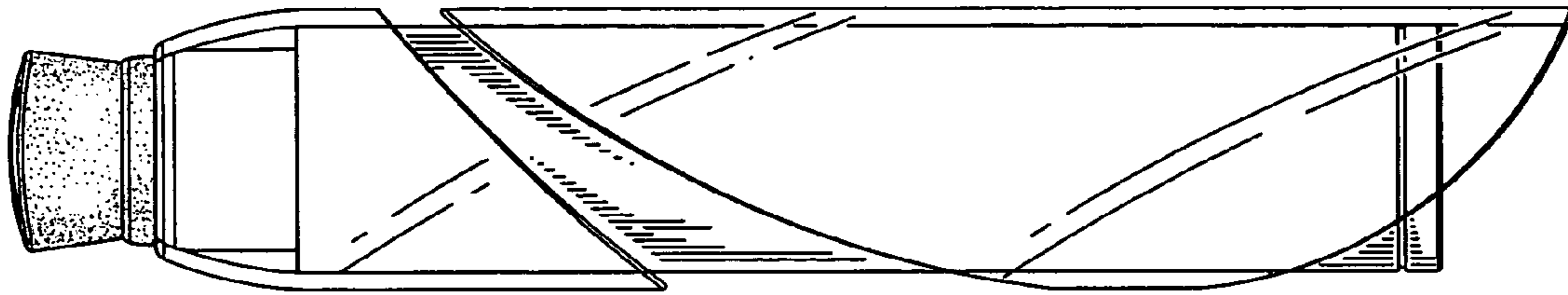


FIG. 2

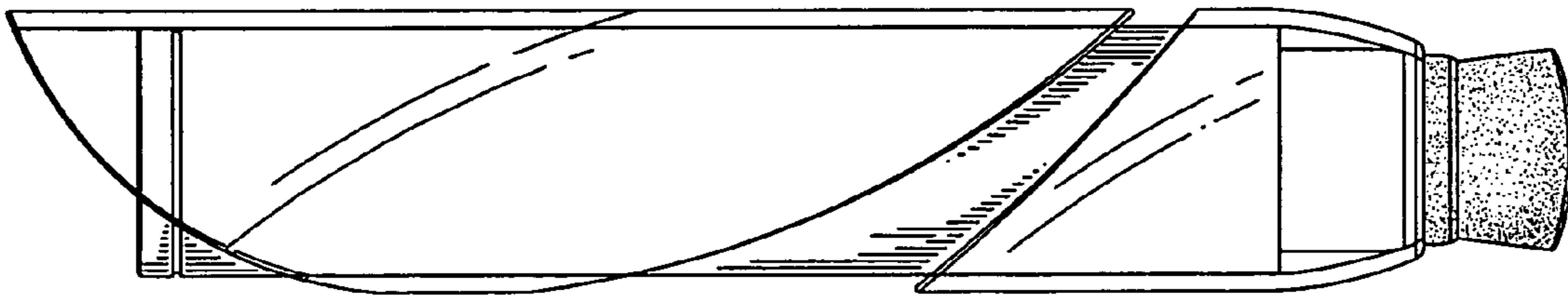


FIG. 3

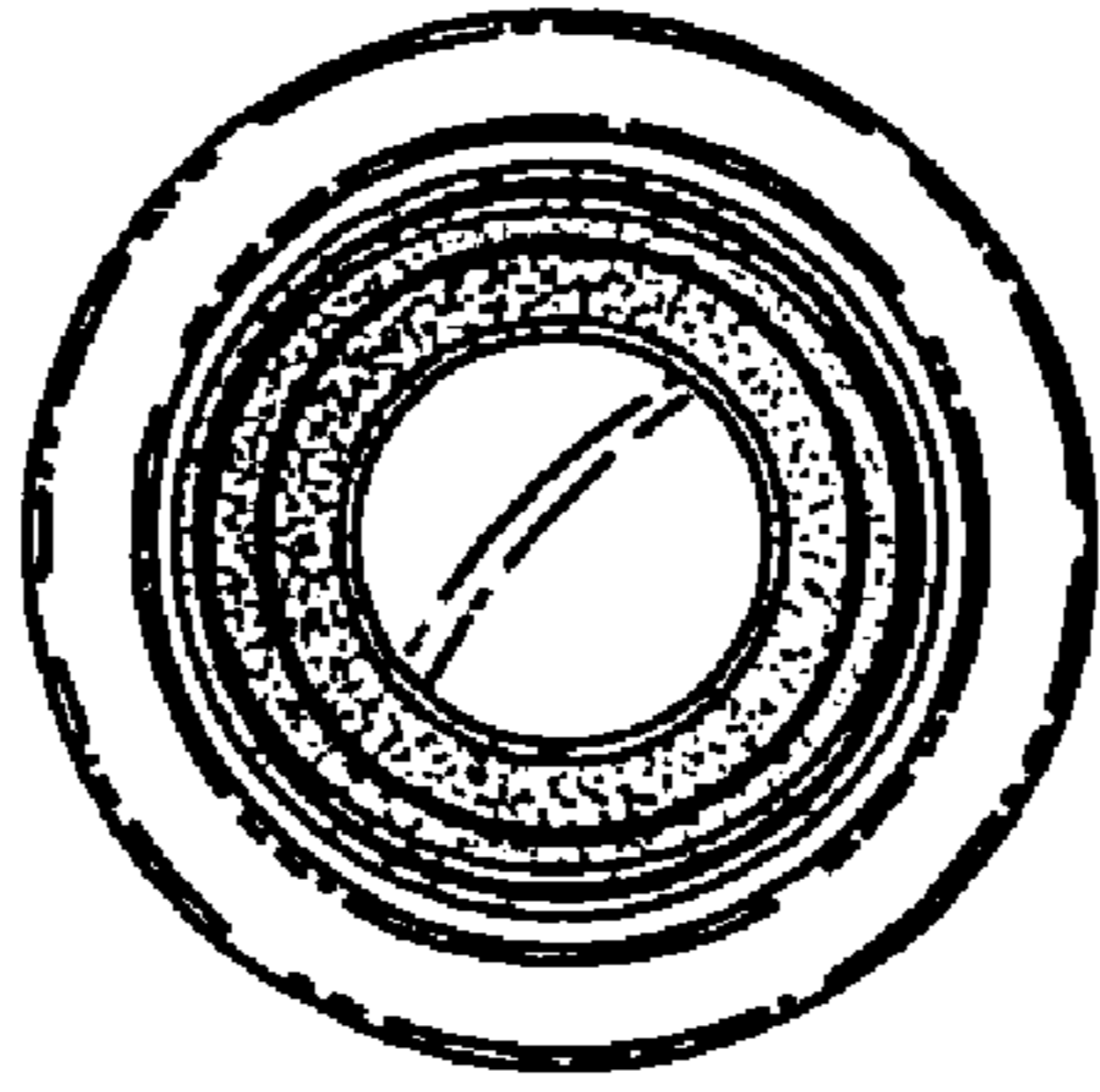


FIG. 4

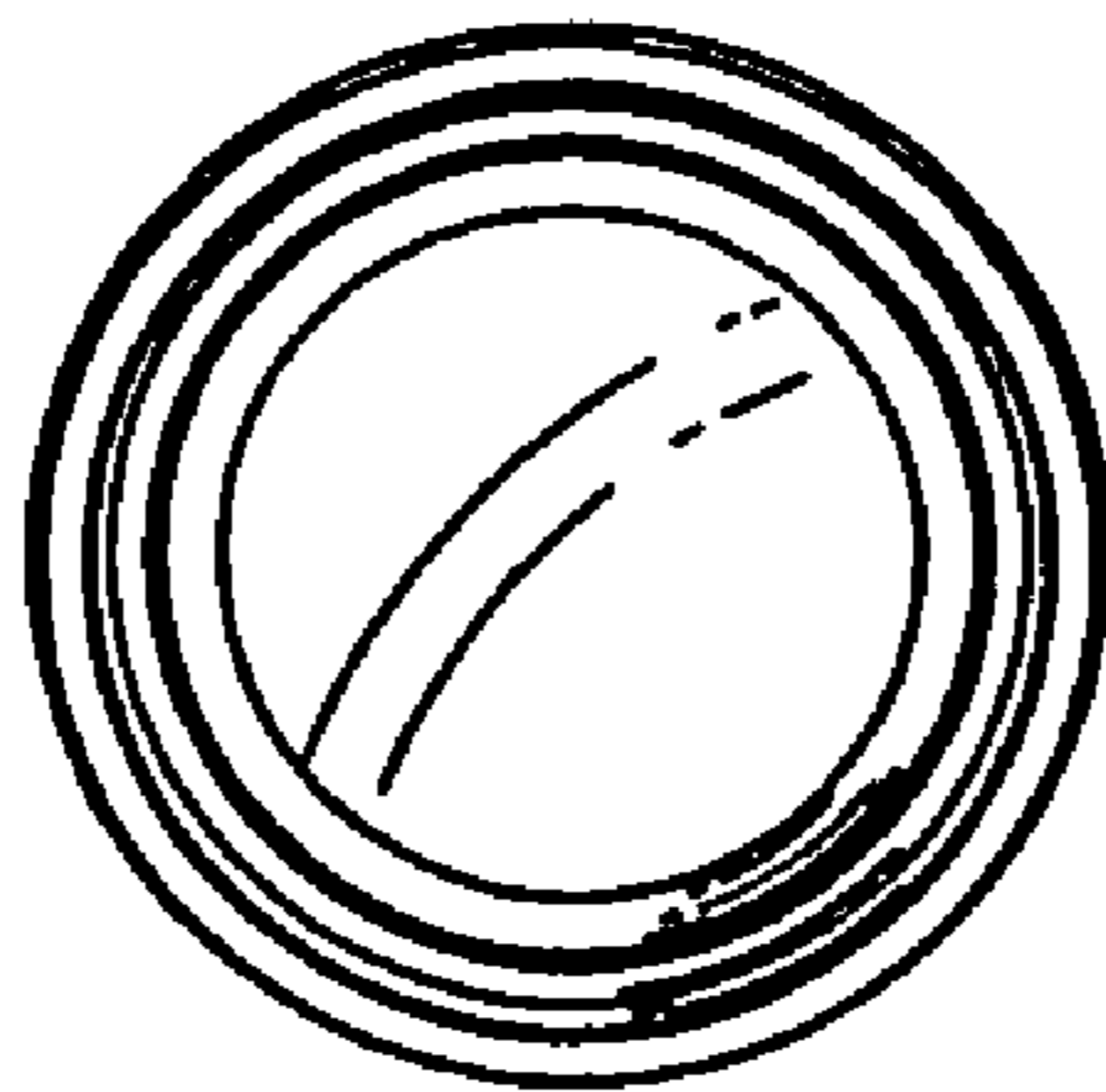


FIG. 5

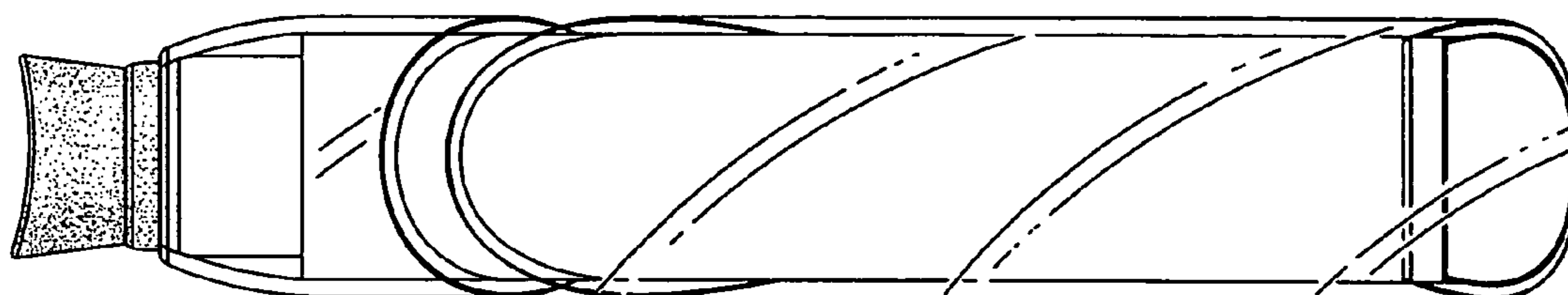


FIG. 6

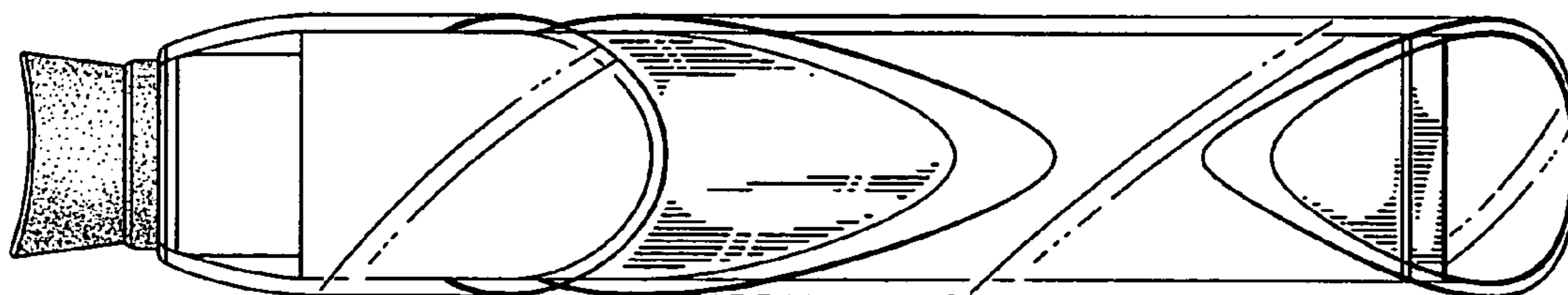


FIG. 7

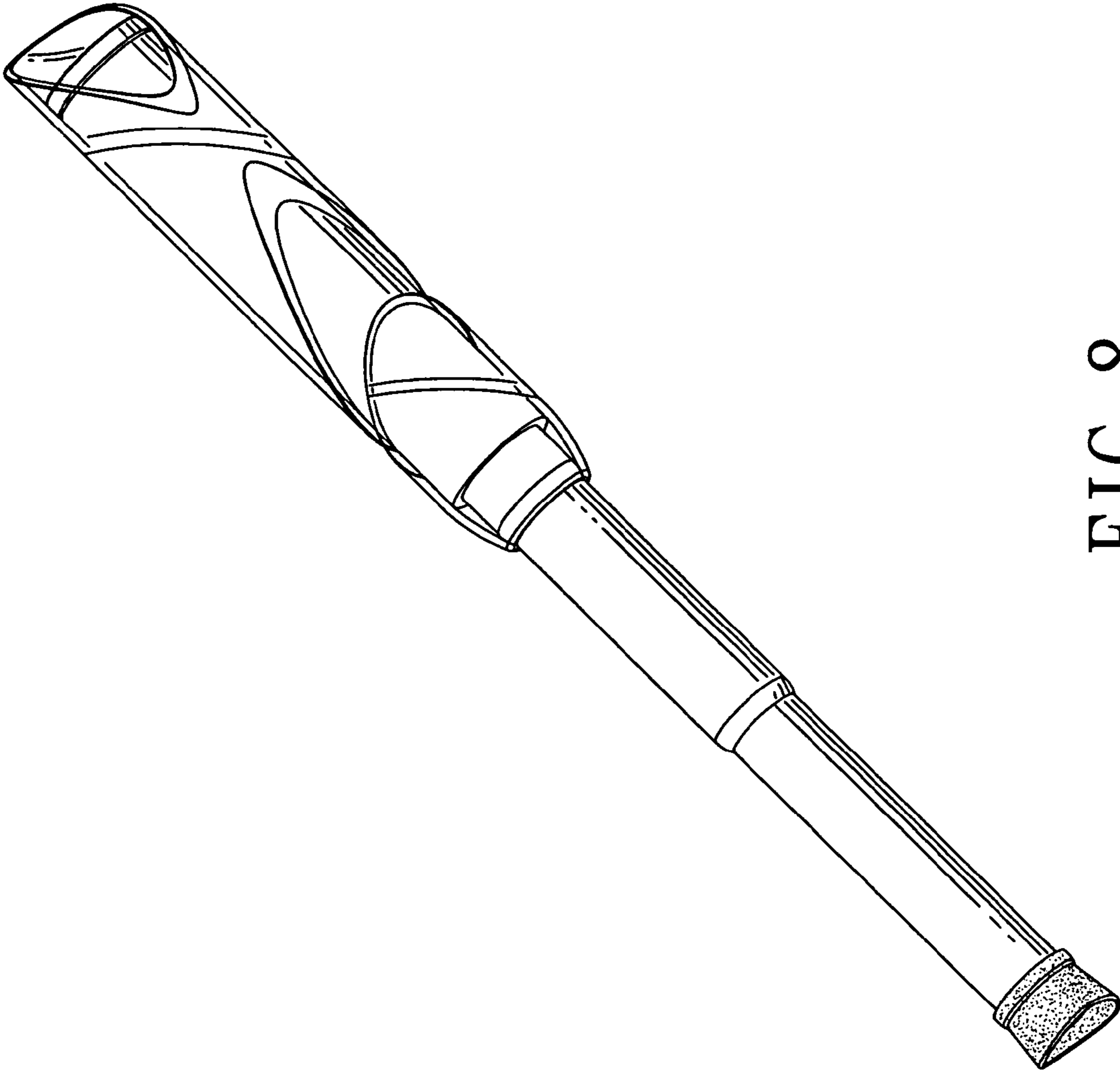


FIG. 8

UNITED STATES PATENT AND TRADEMARK OFFICE
CERTIFICATE OF CORRECTION

PATENT NO. : Des. 548,761 S
APPLICATION NO. : 29/262591
DATED : August 14, 2007
INVENTOR(S) : Su-Min Kung

Page 1 of 1

It is certified that error appears in the above-identified patent and that said Letters Patent is hereby corrected as shown below:

On the Title Page (75) "Inventor: Su-Min Kung, Shi-Jr (TW)" should read -- "Inventor: Su-Min Kung, Hsi Chih (TW)" --

On the Title Page (73) "Assignee: Hunter Optical Co., Ltd., Taipei Hsien (TW)" should read -- "Assignee: Hunter Optical Co., Ltd., Hsi Chih (TW)" --

Signed and Sealed this

Twenty Second Day of April, 2008

A handwritten signature in black ink that reads "Jon W. Dudas". The signature is written in a cursive style with a large, looped initial "J".

JON W. DUDAS

Director of the United States Patent and Trademark Office