



US00D548759S

(12) **United States Design Patent**  
**Kraft**

(10) **Patent No.:** **US D548,759 S**

(45) **Date of Patent:** **\*\* Aug. 14, 2007**

(54) **MASTER CONTROLLER FOR ROBOTIC ARM**

(75) Inventor: **Brett W. Kraft**, Leawood, KS (US)

(73) Assignee: **Kraft Telerobotics, Inc.**, Overland Park, KS (US)

(\*\*) Term: **14 Years**

(21) Appl. No.: **29/271,095**

(22) Filed: **Jan. 10, 2007**

**Related U.S. Application Data**

(63) Continuation-in-part of application No. 29/260,690, filed on May 31, 2006.

(51) **LOC (8) Cl.** ..... **15-09**

(52) **U.S. Cl.** ..... **D15/199**

(58) **Field of Classification Search** ..... D15/199;  
74/490.01, 490.02, 490.03, 490.05; 219/124.34,  
219/639; 318/560; 700/99, 150  
See application file for complete search history.

(56) **References Cited**

**U.S. PATENT DOCUMENTS**

|           |   |   |         |                  |       |           |
|-----------|---|---|---------|------------------|-------|-----------|
| D269,681  | S | * | 7/1983  | Morser et al.    | ..... | D15/199   |
| D279,572  | S | * | 7/1985  | Yasuoka et al.   | ..... | D15/199   |
| 4,648,782 | A |   | 3/1987  | Kraft            |       |           |
| 4,693,663 | A | * | 9/1987  | Brenholt et al.  | ..... | D15/199   |
| 5,016,489 | A | * | 5/1991  | Yoda             | ..... | 74/490.03 |
| 5,019,761 | A |   | 5/1991  | Kraft            |       |           |
| D334,581  | S | * | 4/1993  | Yoshikawa et al. | ..... | D15/199   |
| D344,280  | S | * | 2/1994  | Koyama et al.    | ..... | D15/199   |
| 5,375,480 | A | * | 12/1994 | Nihei et al.     | ..... | 74/490.02 |

|              |    |   |        |                 |       |           |
|--------------|----|---|--------|-----------------|-------|-----------|
| D461,484     | S  |   | 8/2002 | Kraft           |       |           |
| D478,921     | S  | * | 8/2003 | Kullborg et al. | ..... | D15/199   |
| 2005/0092122 | A1 | * | 5/2005 | Markert et al.  | ..... | 74/490.01 |
| 2005/0126327 | A1 | * | 6/2005 | Markert et al.  | ..... | 74/490.02 |
| 2005/0204850 | A1 | * | 9/2005 | Nihei et al.    | ..... | 74/490.01 |

\* cited by examiner

*Primary Examiner*—Antoine D. Davis

*Assistant Examiner*—Patricia Palasik

(74) *Attorney, Agent, or Firm*—John C. McMahon

(57) **CLAIM**

The ornamental design for a master controller for robotic arm, as shown and described.

**DESCRIPTION**

FIG. 1 is a perspective view of a master controller in accordance with the present invention;

FIG. 2 is a first side elevational view thereof;

FIG. 3 is a second side elevational view thereof;

FIG. 4 is a top plan view thereof;

FIG. 5 is a bottom plan view thereof, showing a front grip in a first position in solid lines and a second position in phantom lines;

FIG. 6 is a front elevational view thereof, showing the grip first position in solid lines and the second position in dashed lines; and,

FIG. 7 is a rear elevational view thereof, showing the grip first position in solid lines and the second position in dashed lines.

**1 Claim, 4 Drawing Sheets**

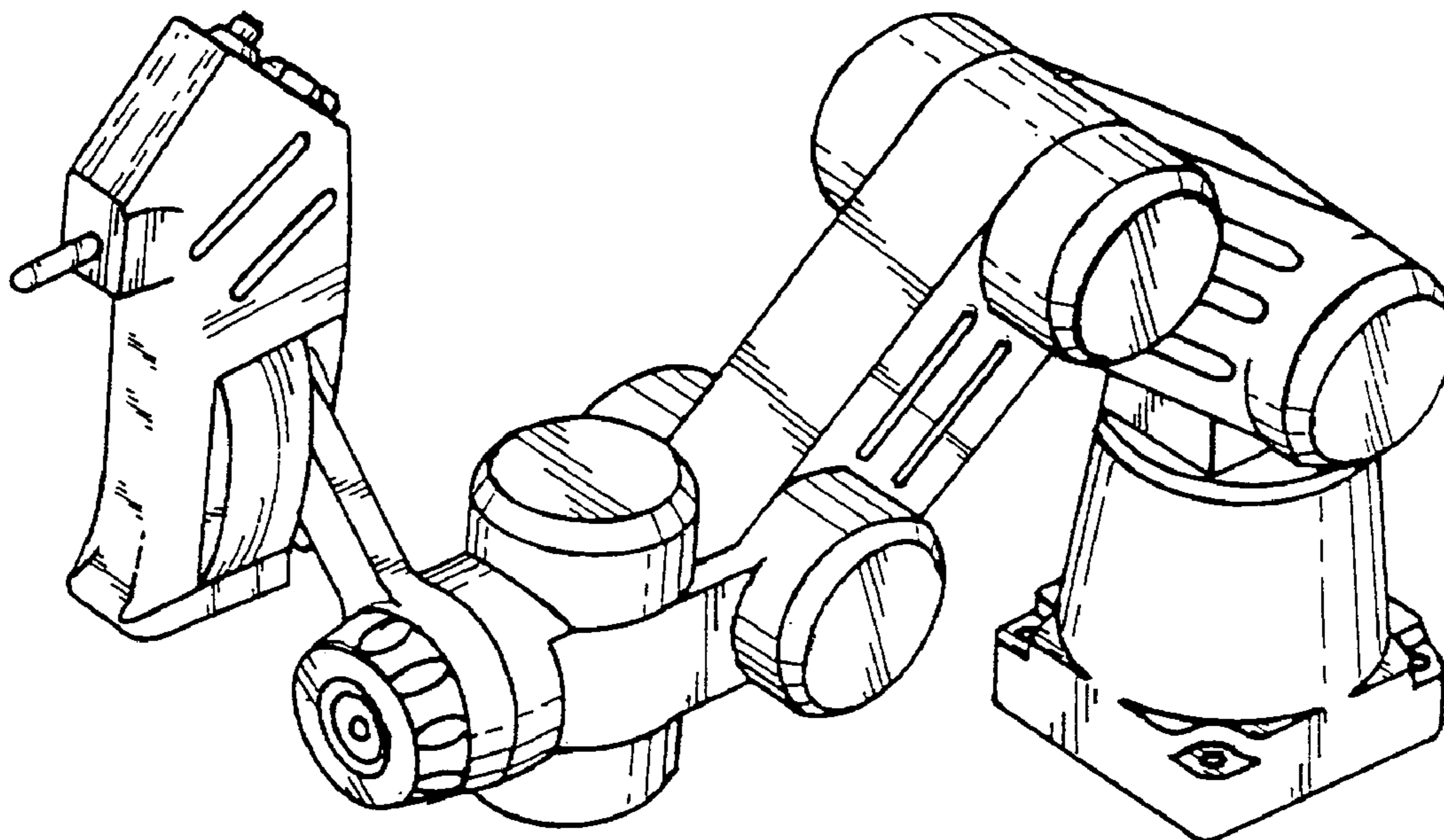


Fig. 1.

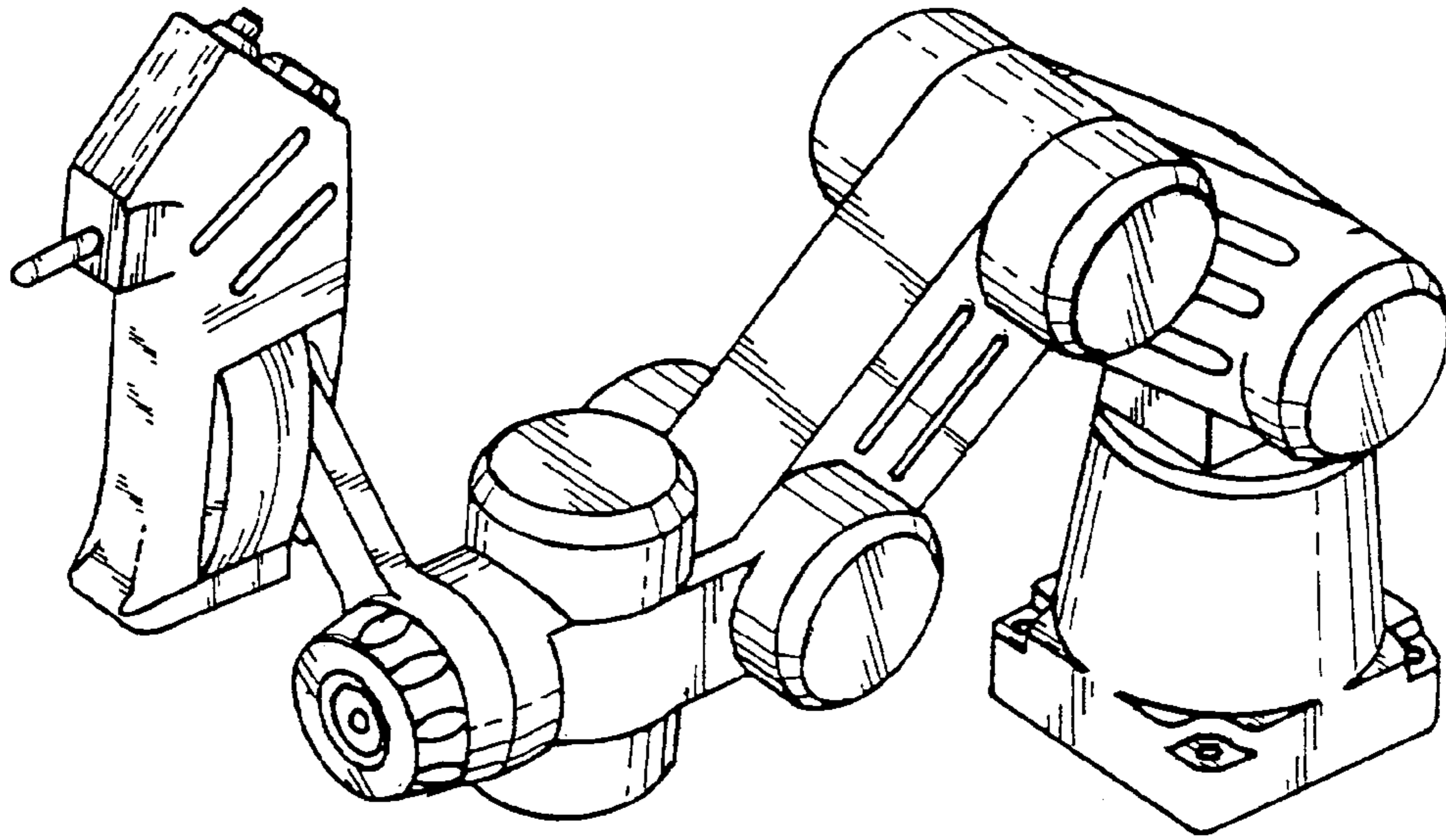


Fig. 4.

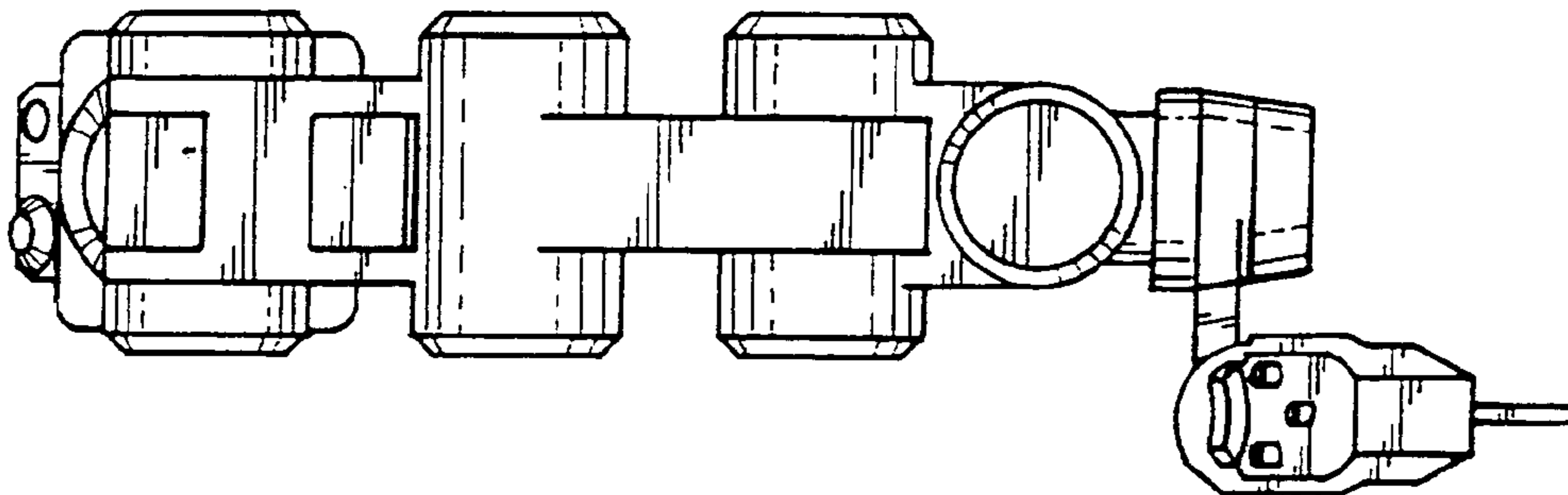


Fig. 2.

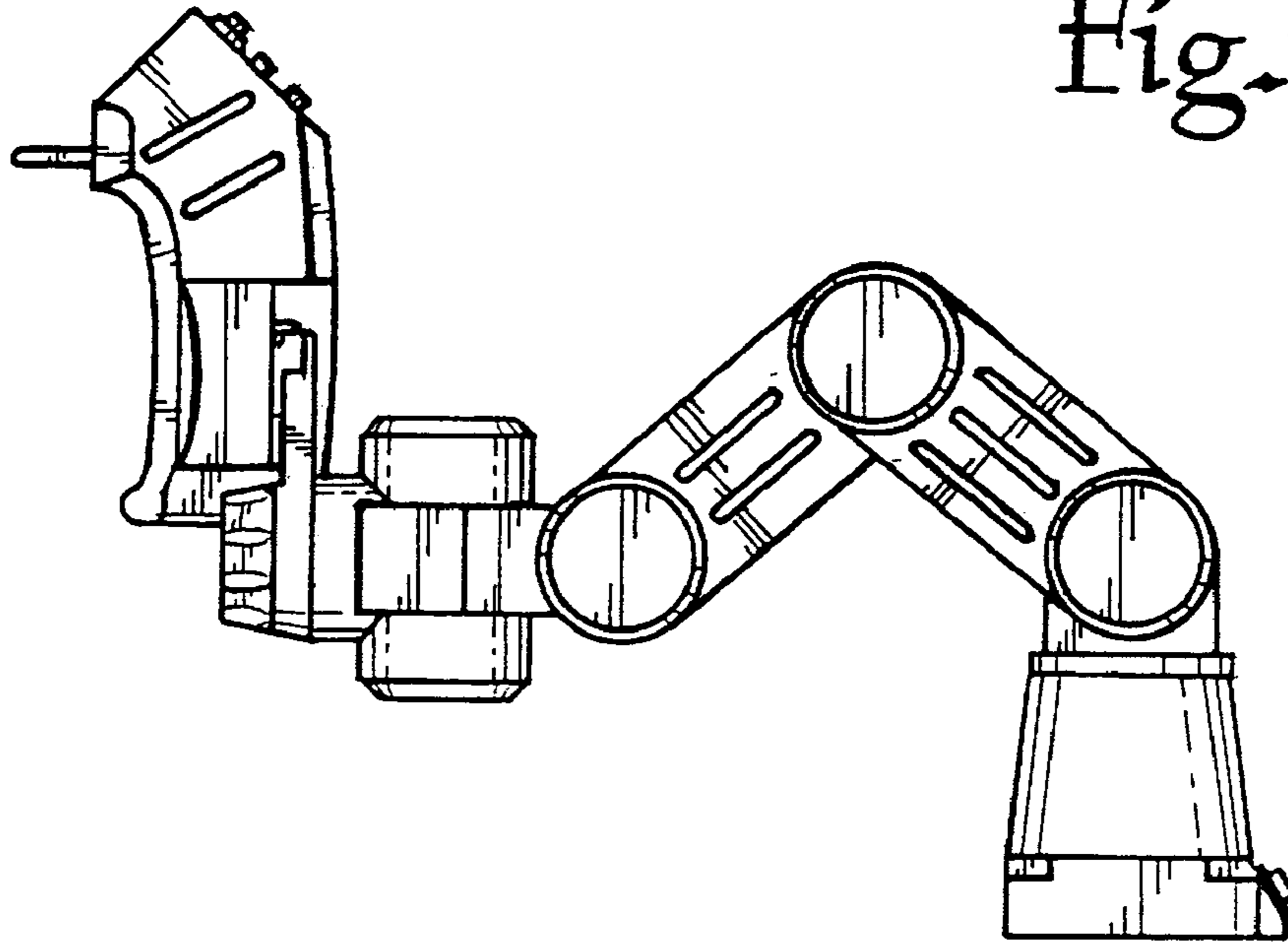


Fig. 3.

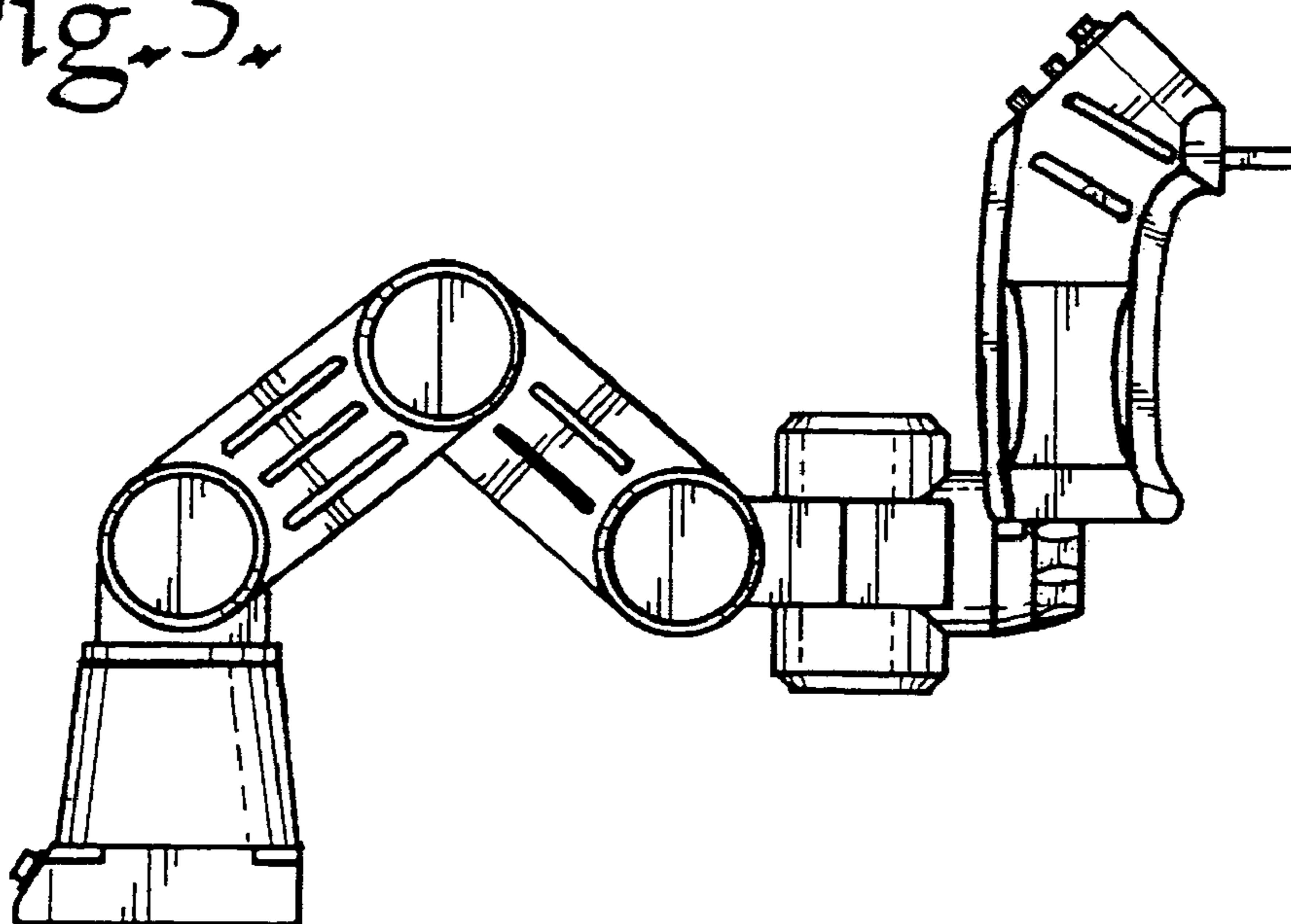
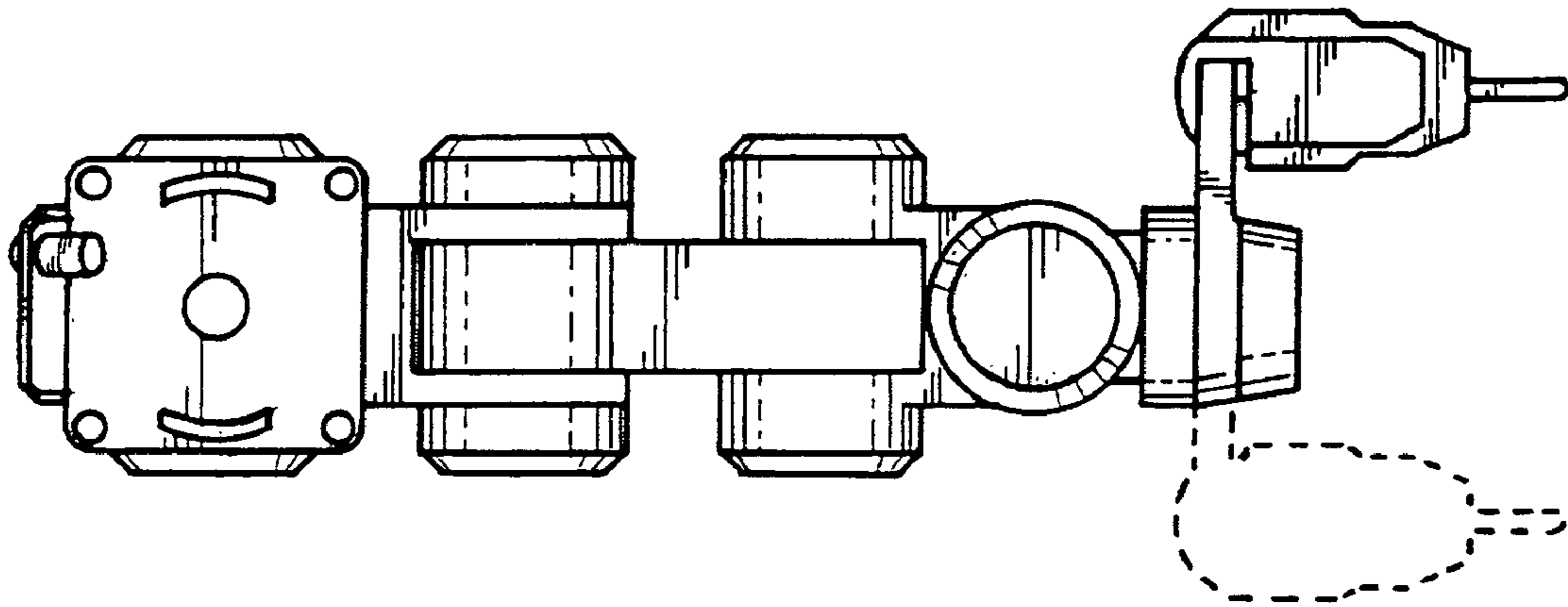


Fig. 5.



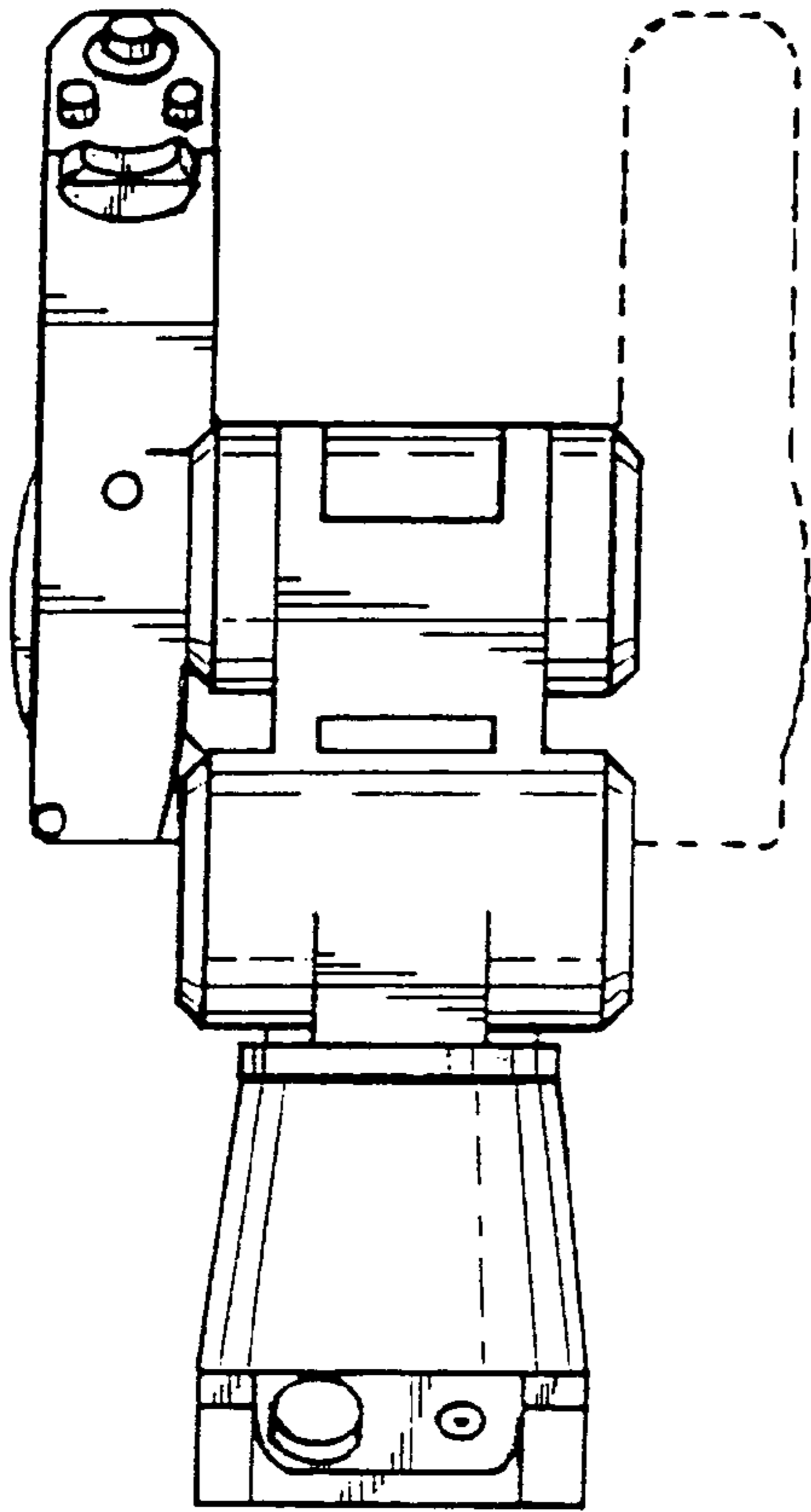


Fig. 7.

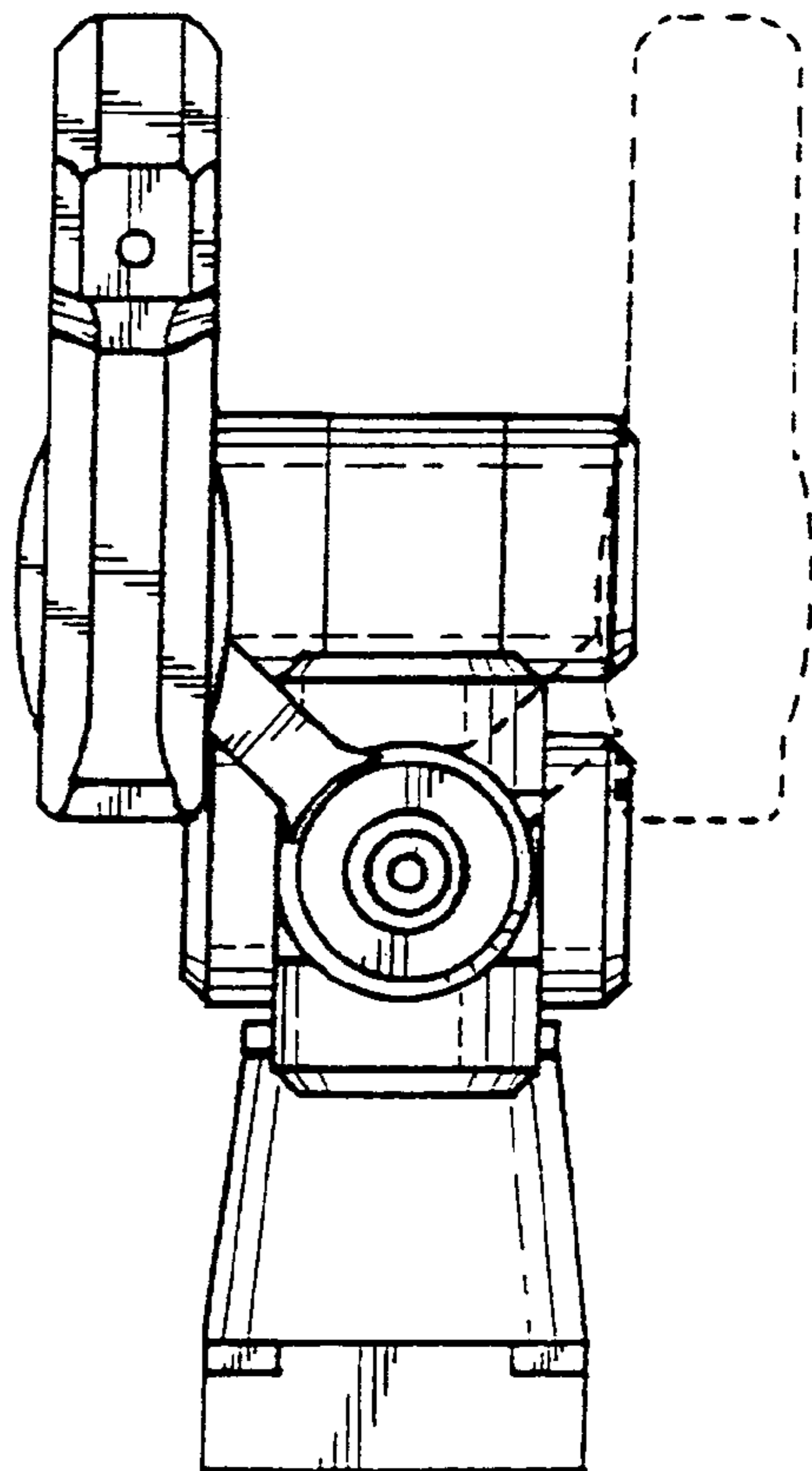


Fig. 6.