



US00D548757S

(12) **United States Design Patent**
Ruan

(10) **Patent No.:** **US D548,757 S**

(45) **Date of Patent:** **** Aug. 14, 2007**

(54) **GRIND STONE FOR GRINDING WHEEL**

(76) **Inventor:** **Kerong Ruan**, 8F, Alishan Bulding,
Lvcoo, Xiamen 361002, Fujian (CN)

(**) **Term:** **14 Years**

(21) **Appl. No.:** **29/248,839**

(22) **Filed:** **Sep. 7, 2006**

(51) **LOC (8) Cl.** **15-09**

(52) **U.S. Cl.** **D15/126**

(58) **Field of Classification Search** D8/70;
D15/124, 126, 138, 139; 83/589, 663, 676;
451/548-551

See application file for complete search history.

(56) **References Cited**

U.S. PATENT DOCUMENTS

1,020,548	A *	3/1912	Gardner	451/548
3,628,292	A *	12/1971	Rue	D15/126
3,711,999	A *	1/1973	Held	D15/126
5,928,071	A *	7/1999	Devlin	451/551
D486,839	S *	2/2004	Sunagawa et al.	D15/126
D508,060	S *	8/2005	Olsen et al.	D15/126
D519,530	S *	4/2006	Thysell et al.	D15/126
2005/0164620	A1 *	7/2005	Amamoto	451/548

* cited by examiner

Primary Examiner—Antoine D. Davis

Assistant Examiner—Patricia Palasik

(74) *Attorney, Agent, or Firm*—Banger Shia

(57) **CLAIM**

The ornamental design for a grind stone for grinding wheel,
as shown and described.

DESCRIPTION

FIG. 1 is the perspective view of the grind stone of grinding wheel showing as my new design;

FIG. 2 is the front view of the grind stone of grinding wheel hereof;

FIG. 3 is a rear view of the grind stone of grinding wheel thereof;

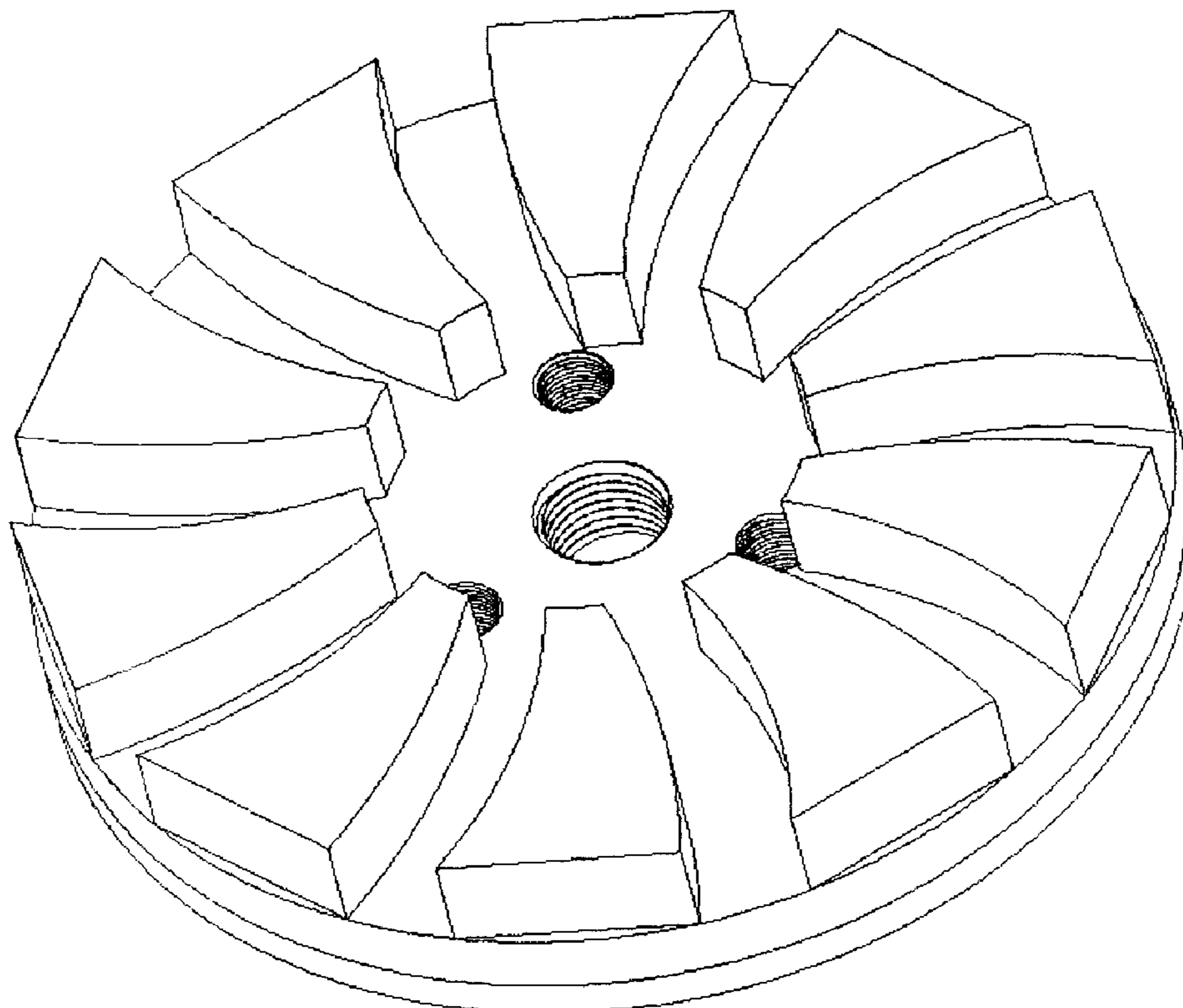
FIG. 4 is a left plan view of the grind stone of grinding wheel thereof;

FIG. 5 is a right plan view of the grind stone of grinding wheel thereof;

FIG. 6 is a top view of the grind stone of grinding wheel thereof; and,

FIG. 7 is a bottom view of the grind stone of grinding wheel thereof.

1 Claim, 4 Drawing Sheets



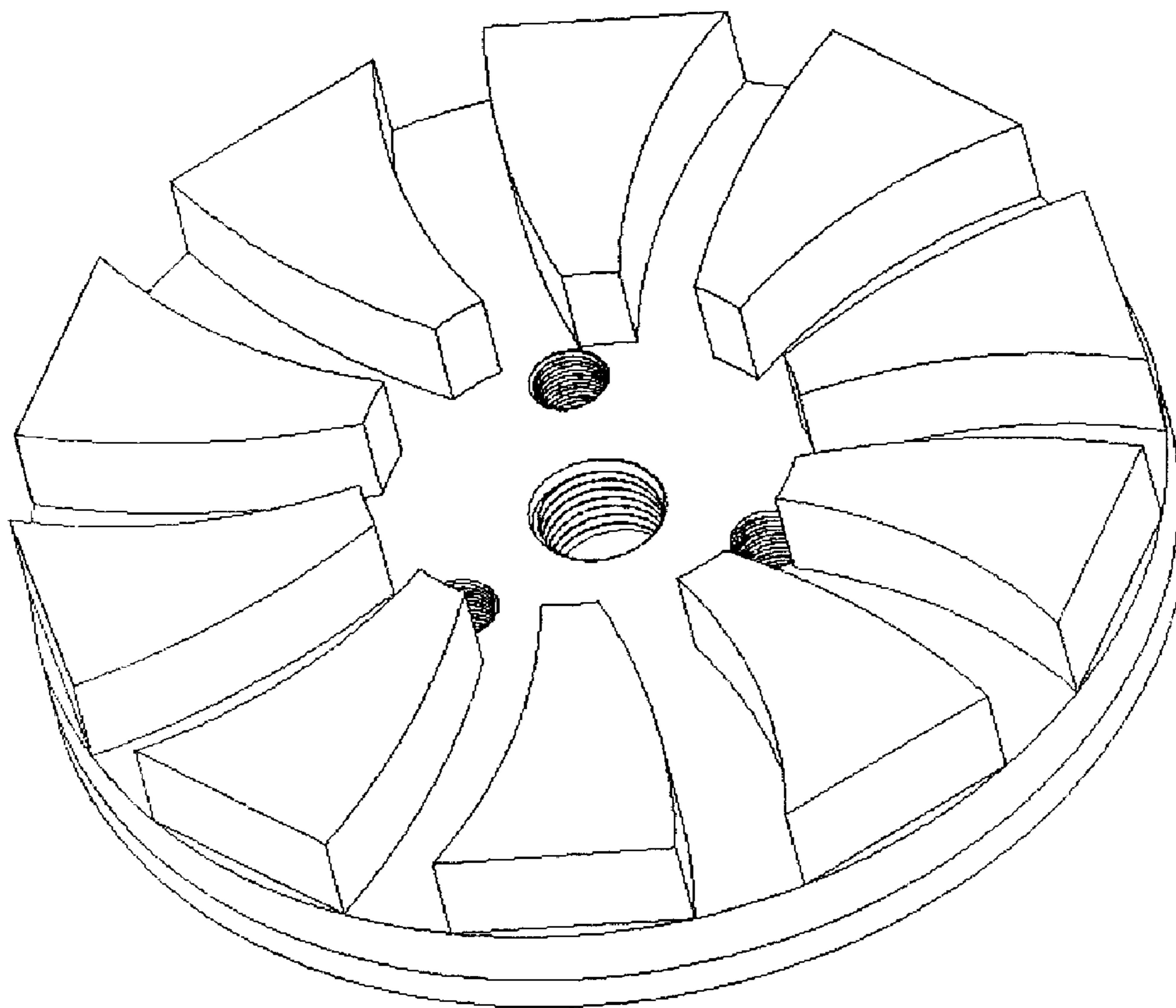


FIG. 1

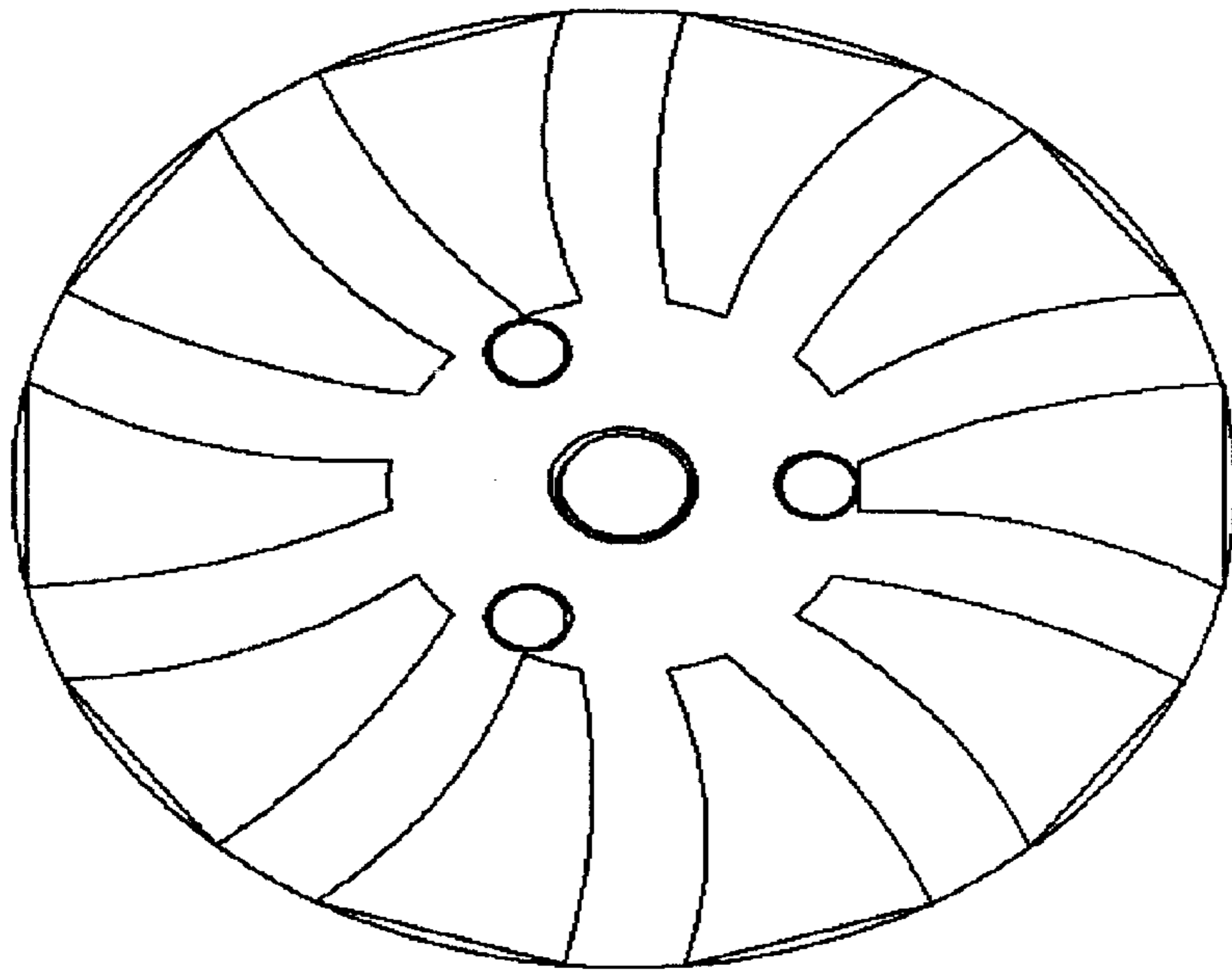


FIG. 2

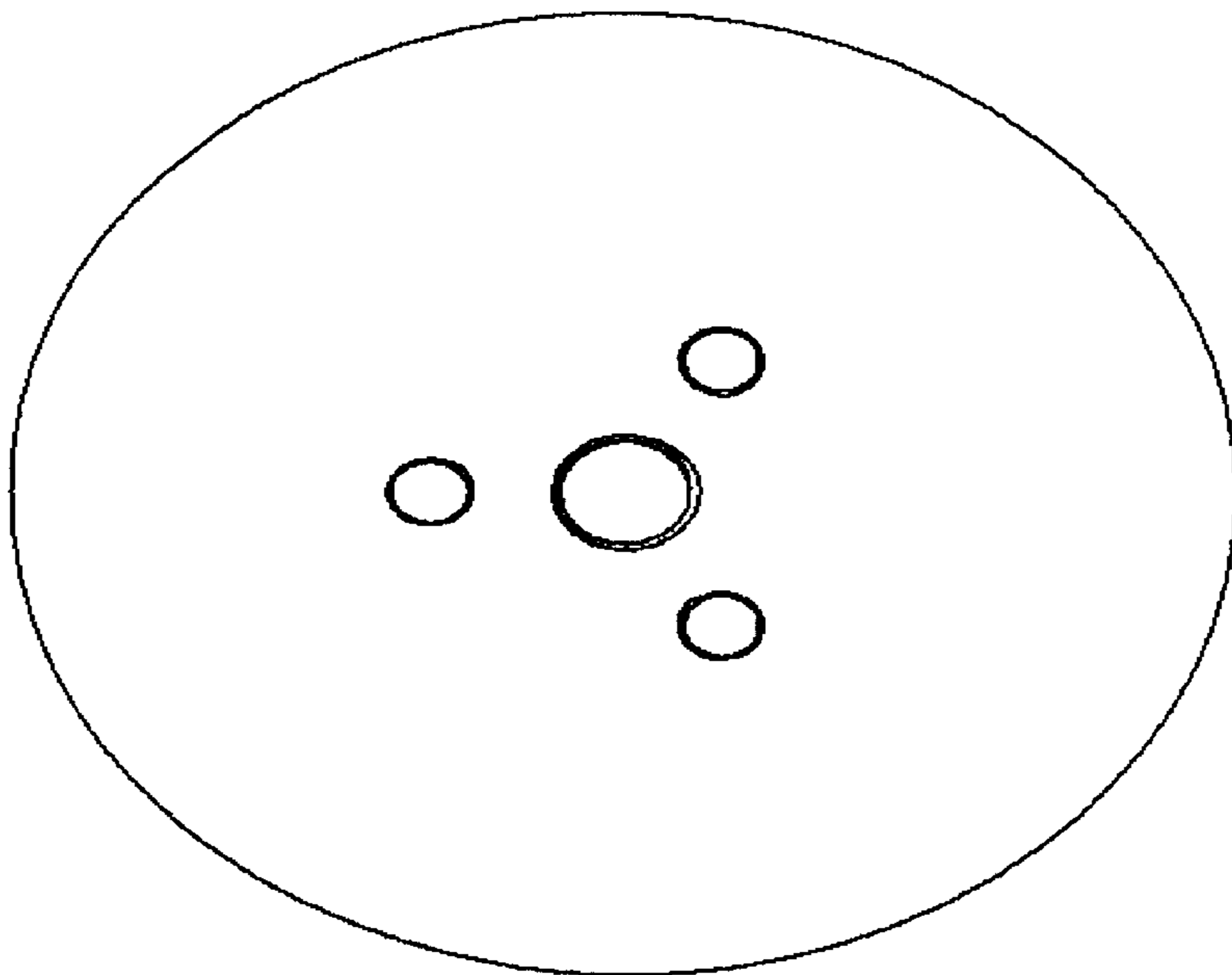


FIG. 3

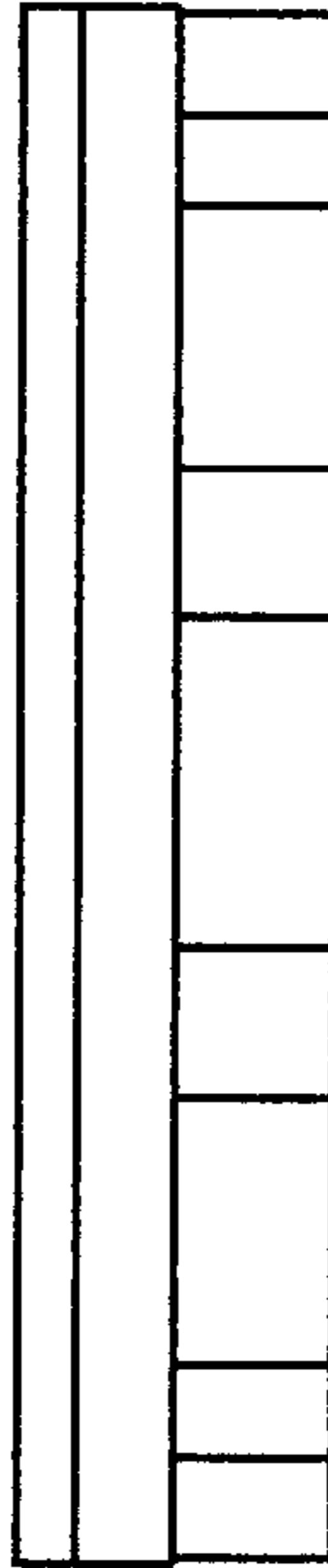


FIG. 4

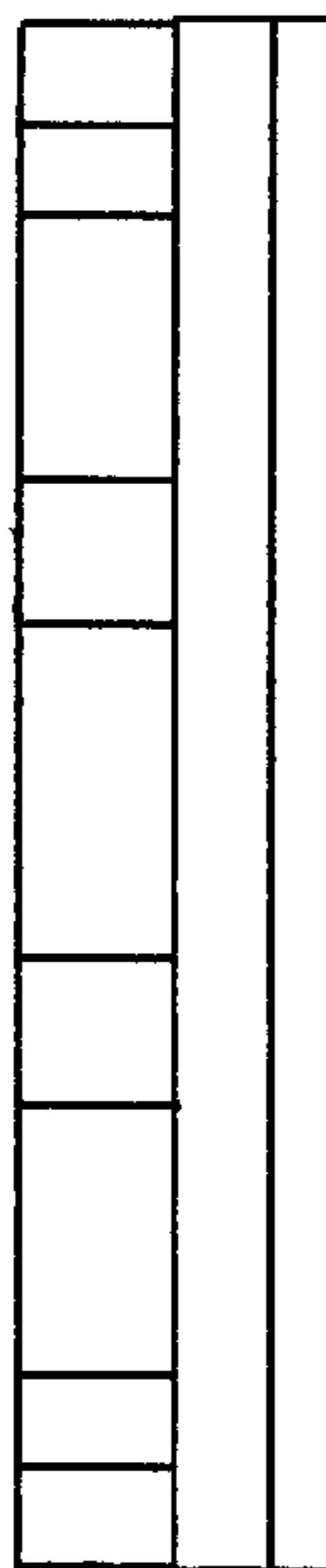


FIG. 5

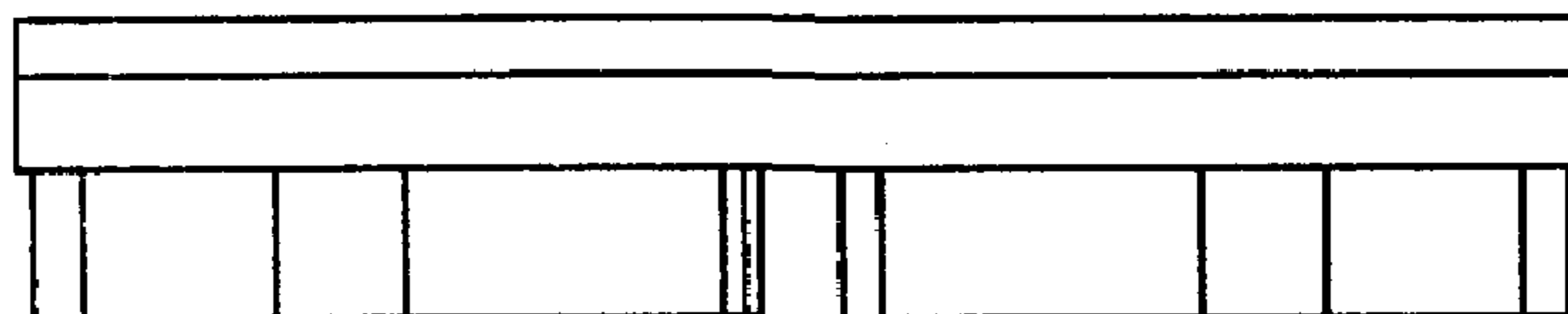


FIG. 6

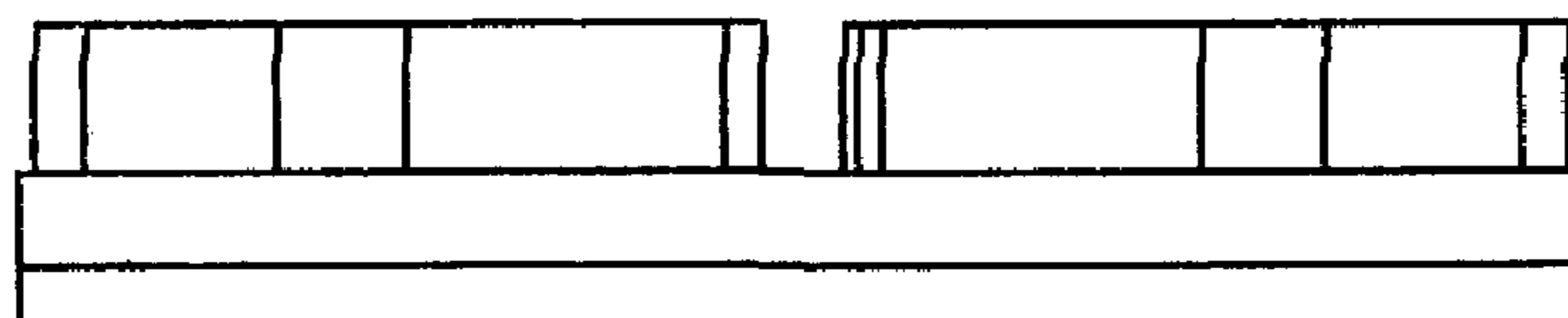


FIG. 7