

US00D548756S

(12) **United States Design Patent** (10) **Patent No.:** **US D548,756 S**
Sugihara et al. (45) **Date of Patent:** **** Aug. 14, 2007**

(54) **MACHINING CENTER**

D438,548 S * 3/2001 Inada et al. D15/127
 D495,723 S * 9/2004 Kawamura et al. D15/127

(75) Inventors: **Tsutomu Sugihara**, Nanto (JP); **Minori Yoshida**, Nanto (JP)

* cited by examiner

(73) Assignee: **Nippei Toyama Corporation**, Shinagawa-ku, Tokyo (JP)

Primary Examiner—Antoine D. Davis
Assistant Examiner—Patricia Palasik

(**) Term: **14 Years**

(74) *Attorney, Agent, or Firm*—Nicholas A. Kees; Godfrey & Kahn, S.C.

(21) Appl. No.: **29/250,025**

(57) **CLAIM**

(22) Filed: **Oct. 31, 2006**

The ornamental design for a machining center, as shown and described.

(30) **Foreign Application Priority Data**

Sep. 5, 2006 (JP) 2006-023740

DESCRIPTION

(51) **LOC (8) Cl.** **15-09**

FIG. 1 is a front view of a machining center showing our new design;

(52) **U.S. Cl.** **D15/122**

FIG. 2 is a rear view thereof;

(58) **Field of Classification Search** D15/122, D15/124, 127, 128, 130, 131; 29/26 A, 26 R, 29/30, 33 A-33 T, 34 R, 39, 50, 563-566, 29/564.1-564.8; 483/17-57

FIG. 3 is a top plan view thereof;

FIG. 4 is a bottom plan view thereof;

See application file for complete search history.

FIG. 5 is a right side elevational view thereof;

FIG. 6 is a left side elevational view thereof; and,

FIG. 7 is an enlarged detail perspective view of the portion which is indicated by line 7-7 of FIG. 3.

(56) **References Cited**

U.S. PATENT DOCUMENTS

4,443,929 A * 4/1984 Bayer et al. 483/32
 D302,163 S * 7/1989 Itoh et al. D15/122
 5,871,426 A * 2/1999 Araki et al. 483/44
 D420,686 S * 2/2000 Kunema D15/127

The broken lines are shown for illustrative purposes only and form no part of the claimed design.

1 Claim, 7 Drawing Sheets

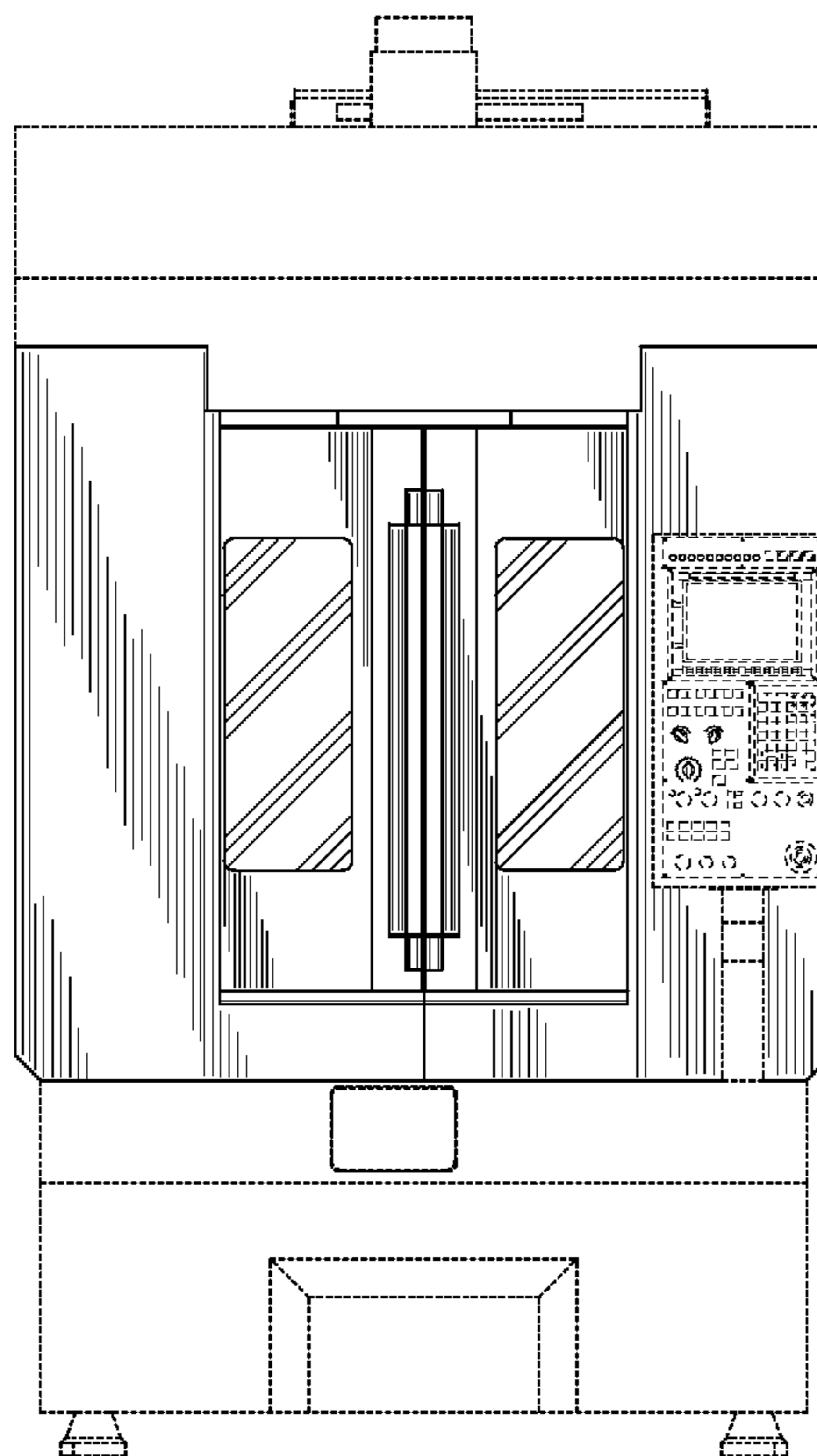


FIG. 1

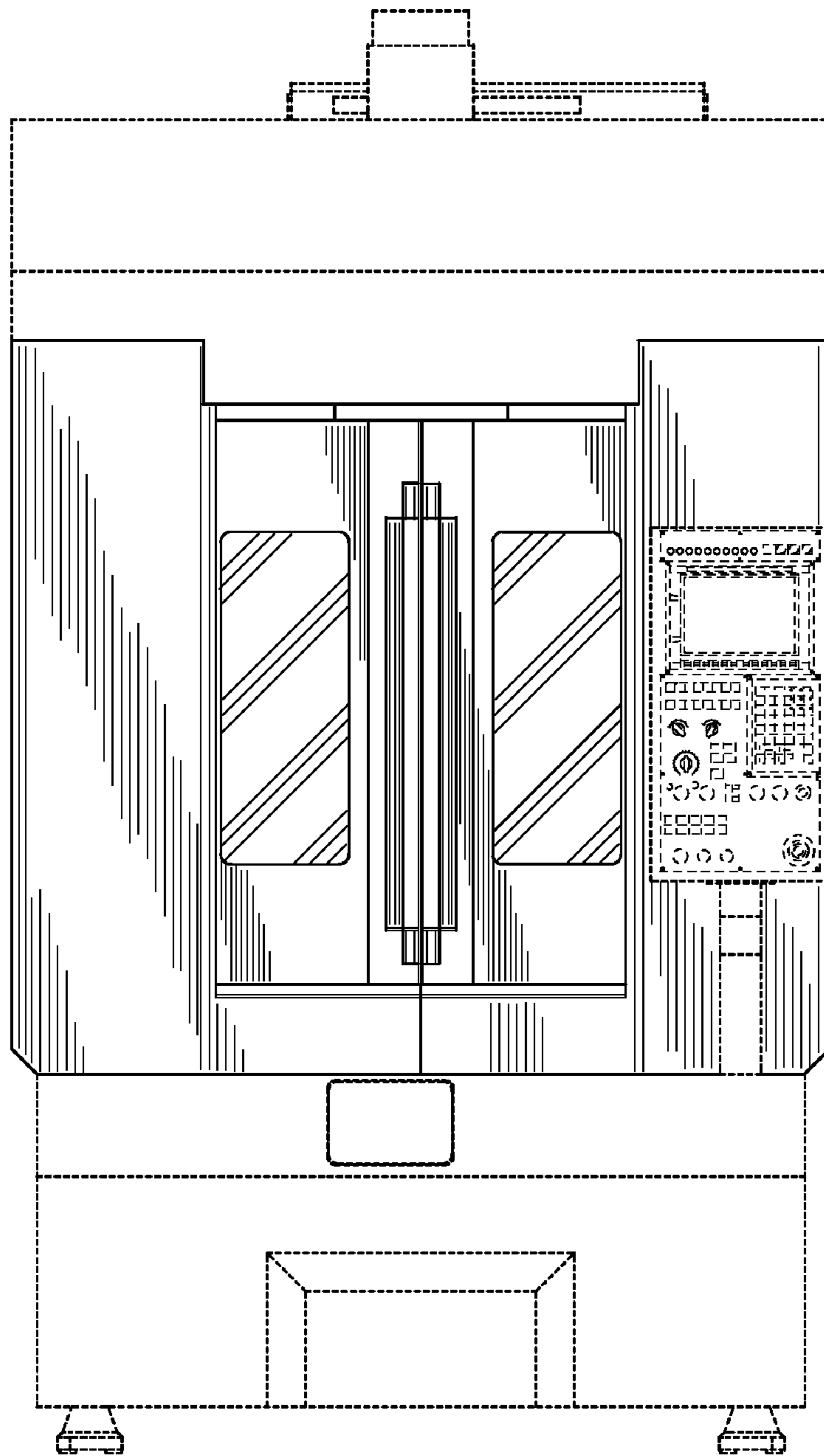


FIG. 2

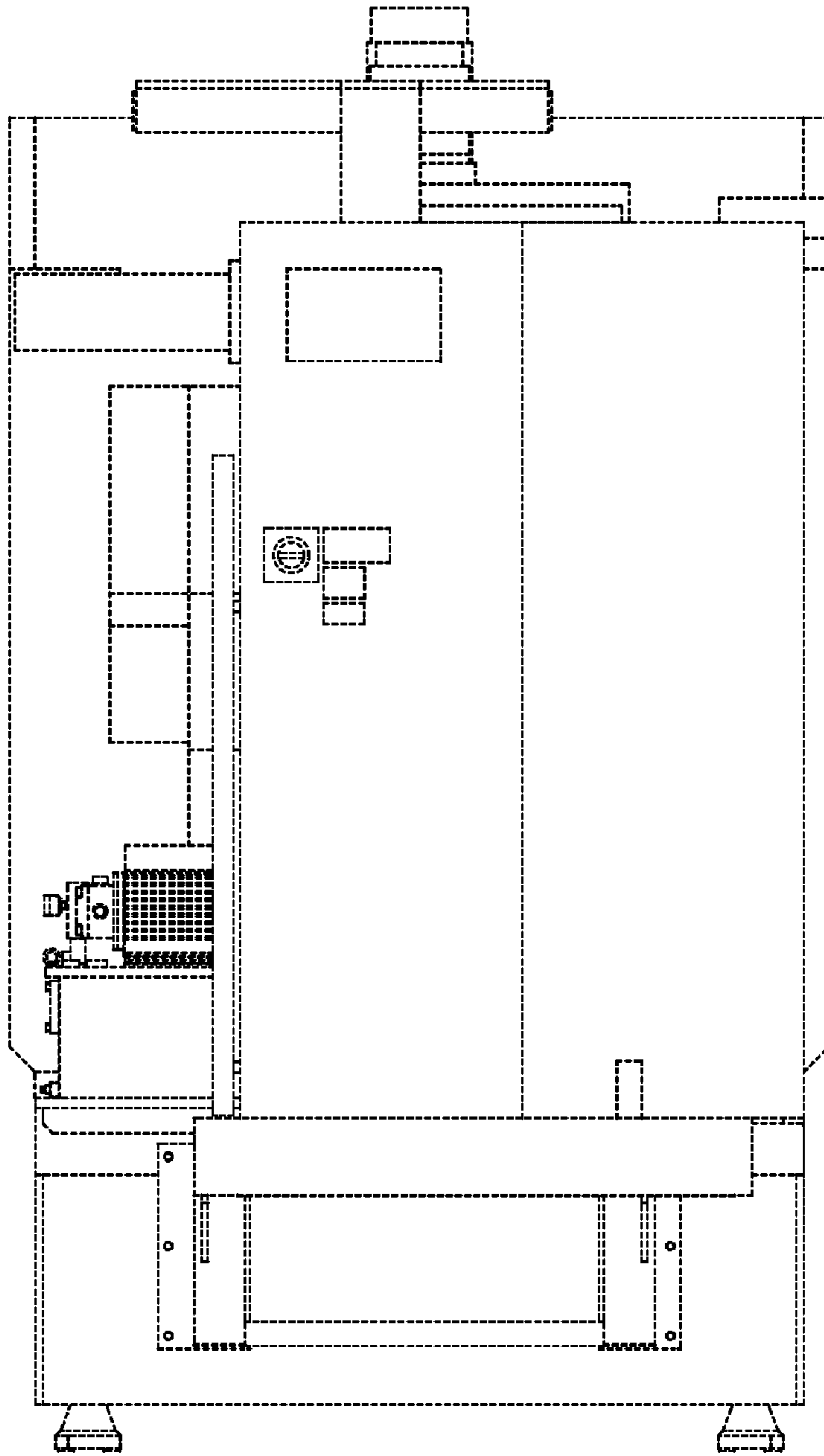


FIG. 3

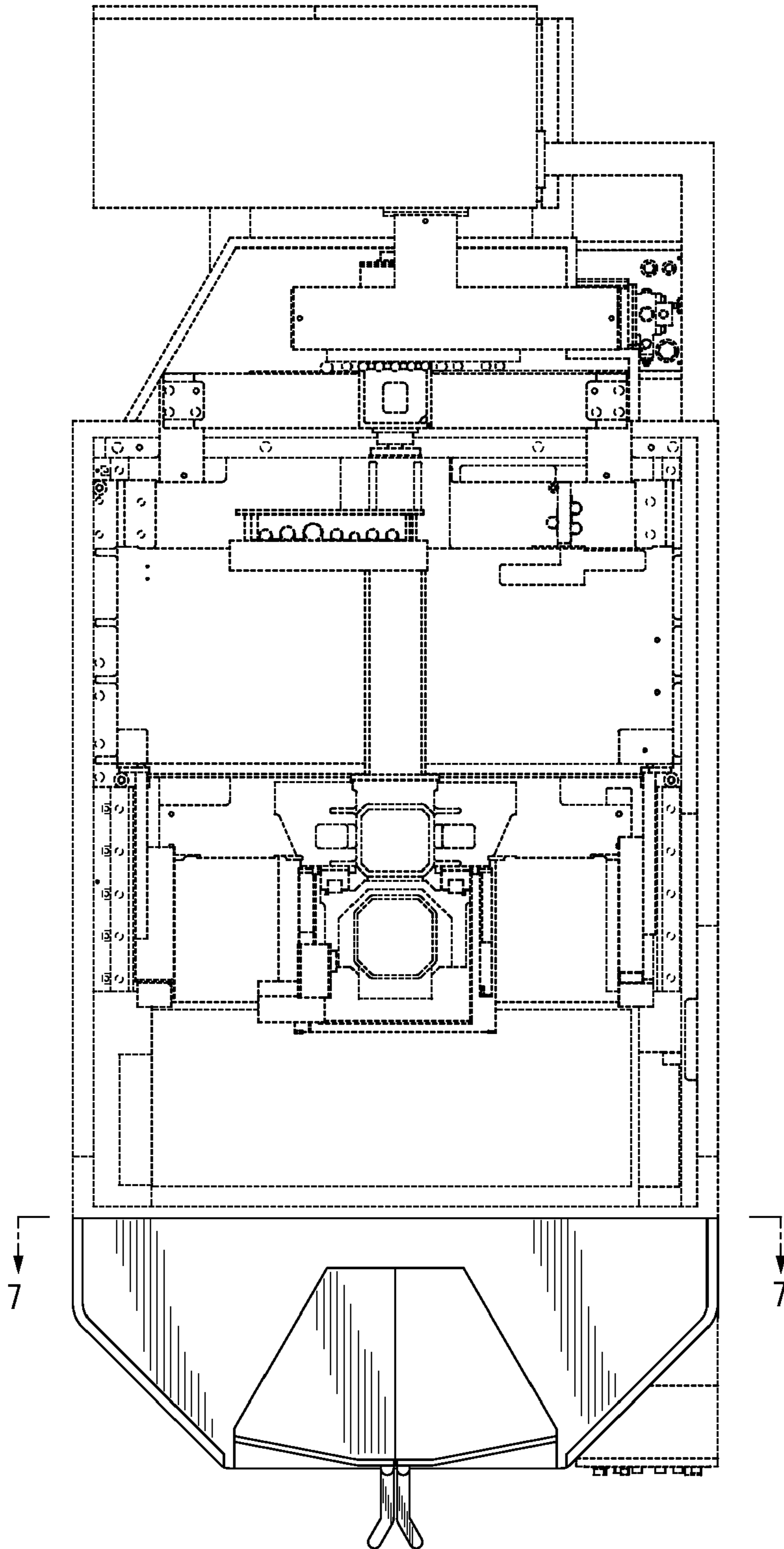


FIG. 4

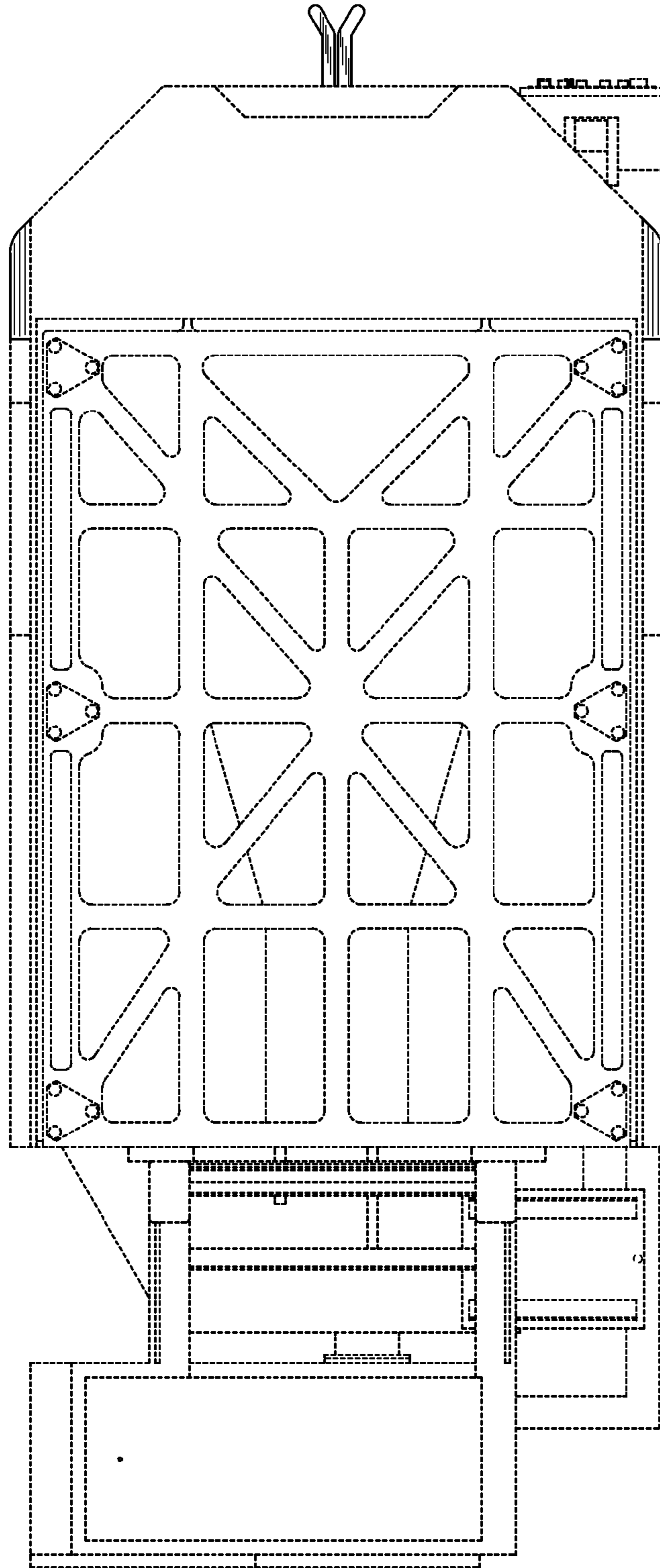


FIG. 5

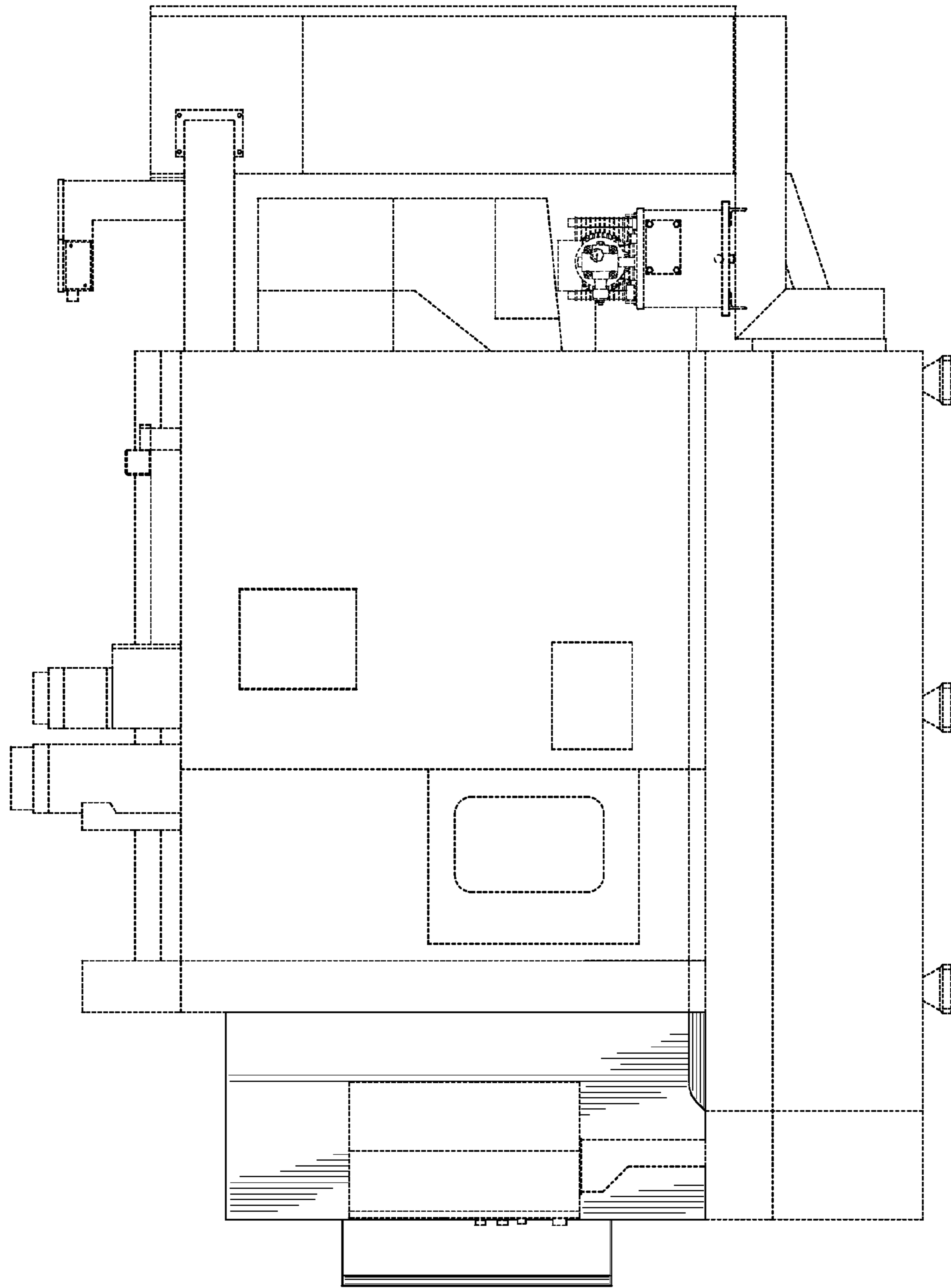


FIG. 6

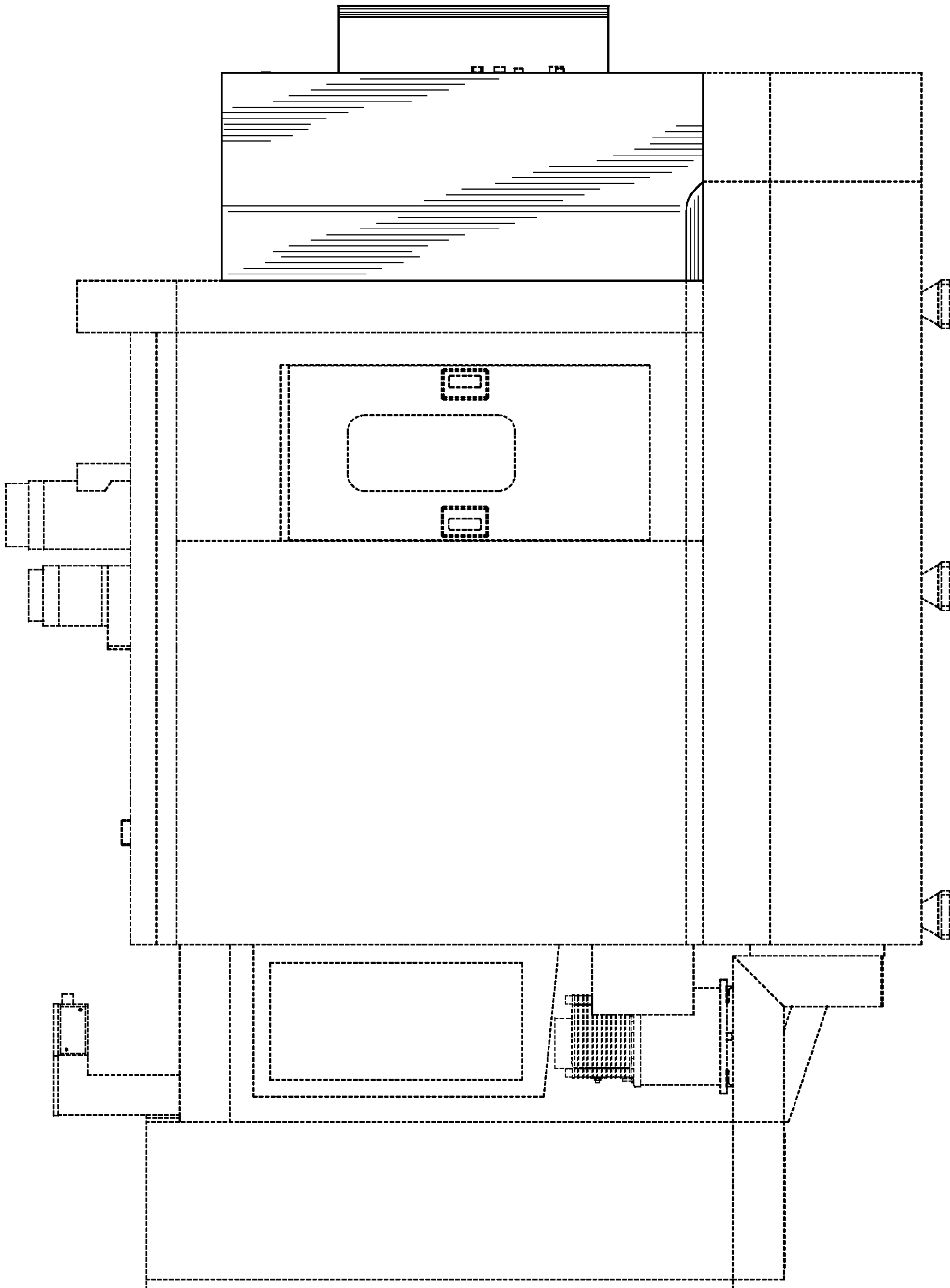


FIG. 7

