

US00D548753S

(12) **United States Design Patent**
Kim

(10) **Patent No.:** **US D548,753 S**

(45) **Date of Patent:** **** Aug. 14, 2007**

(54) **CABIN FOR HEAVY CONSTRUCTION EQUIPMENT**

(75) Inventor: **Kang Tae Kim**, Changwon (KR)

(73) Assignee: **Volvo Construction Equipment Holding Sweden AB**, Eskilstuna (SE)

(**) Term: **14 Years**

(21) Appl. No.: **29/269,814**

(22) Filed: **Dec. 8, 2006**

(30) **Foreign Application Priority Data**

Nov. 29, 2006 (KR) 30-2006-0047378

(51) **LOC (8) Cl.** **15-03**

(52) **U.S. Cl.** **D15/30**

(58) **Field of Classification Search** D15/10,
D15/15, 22-26, 28, 30, 33; D12/96; D34/37;
180/89.1, 900, 89.12, 311, 89.13; 296/190,
296/204, 190.01, 190.03, 181.1; 414/680,
414/685, 687, 688, 694
See application file for complete search history.

(56) **References Cited**

U.S. PATENT DOCUMENTS

- D323,659 S * 2/1992 Jacobsson D15/30
- 5,096,253 A * 3/1992 Jo et al. 296/190.1
- 5,273,340 A * 12/1993 Nelson et al. 296/190.08
- D384,358 S * 9/1997 Smith D15/30
- D389,984 S * 1/1998 Johansson D34/37
- D391,273 S * 2/1998 Linder D15/30
- D398,616 S * 9/1998 Kwak et al. D15/30
- D427,612 S * 7/2000 Shim D15/23
- D432,144 S * 10/2000 Kraft et al. D15/30
- D432,145 S * 10/2000 Kraft et al. D15/30
- D433,689 S * 11/2000 Kraft et al. D15/30

- D436,605 S * 1/2001 Shaw et al. D15/30
- D463,461 S * 9/2002 Yanagida et al. D15/30
- D463,462 S * 9/2002 Yanagida et al. D15/30
- D463,807 S * 10/2002 Tamaru et al. D15/30
- D471,213 S * 3/2003 Kwak et al. D15/30
- 6,568,746 B2 * 5/2003 Sakyo et al. 296/190.08
- D481,044 S * 10/2003 Tokach et al. D15/30
- D494,986 S * 8/2004 Tokach et al. D15/30
- D497,920 S * 11/2004 Antonetti D15/30
- 2004/0104060 A1 * 6/2004 Mori et al. 180/89.12

* cited by examiner

Primary Examiner—Stella Reid

Assistant Examiner—Mark Goodwin

(74) *Attorney, Agent, or Firm*—Ladas & Parry

(57) **CLAIM**

The ornamental design for a cabin for heavy construction equipment, as shown and described.

DESCRIPTION

FIG. 1 is a perspective view of a cabin for heavy construction equipment according to my new design;

FIG. 2 is a front view of a cabin for heavy construction equipment according to my new design;

FIG. 3 is a rear view of a cabin for heavy construction equipment according to my new design;

FIG. 4 is a left view of a cabin for heavy construction equipment according to my new design;

FIG. 5 is a right view of a cabin for heavy construction equipment according to my new design;

FIG. 6 is a top plan view of a cabin for heavy construction equipment according to my new design; and,

FIG. 7 is a bottom view of a cabin for heavy construction equipment according to my new design.

1 Claim, 7 Drawing Sheets

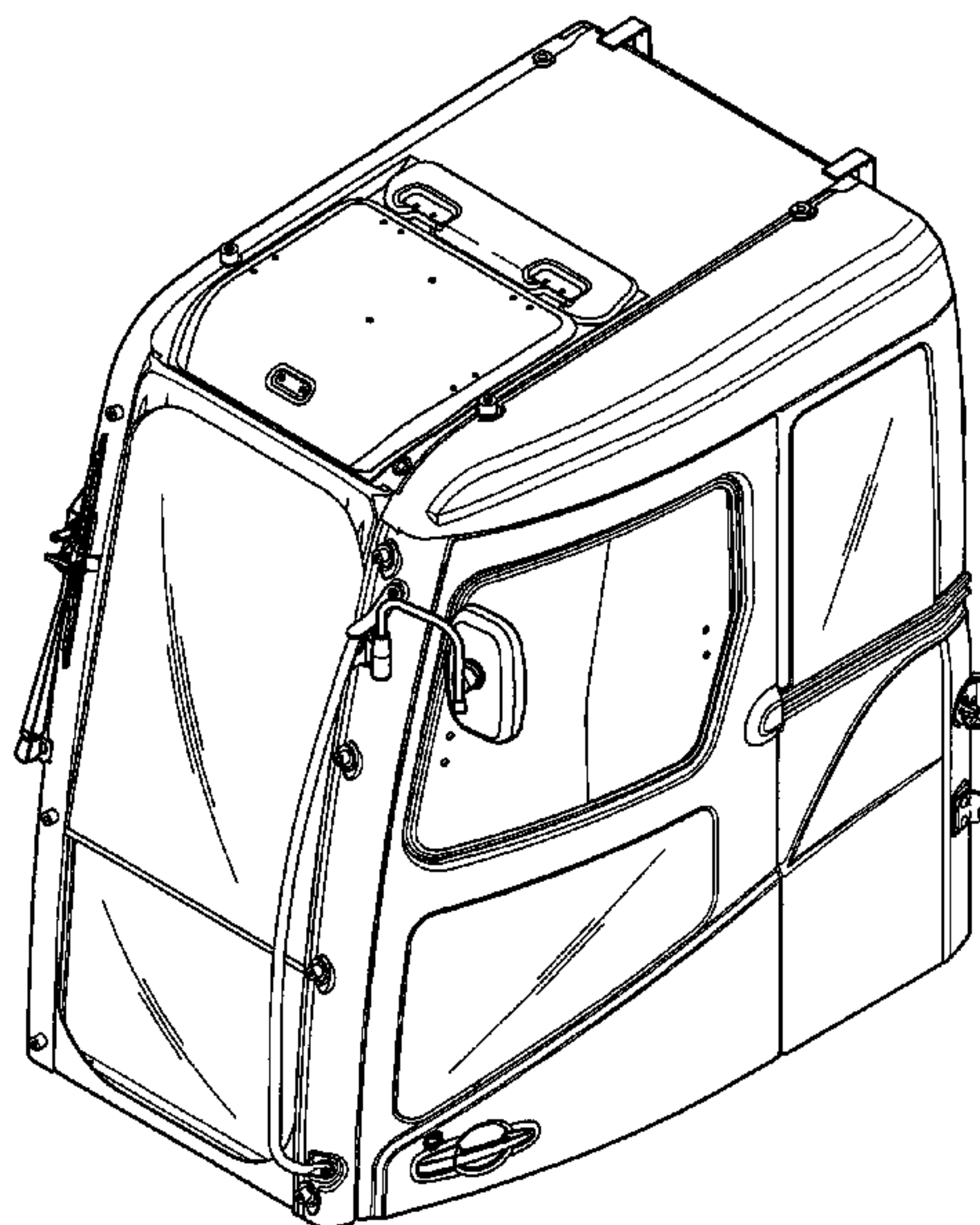


Fig. 1

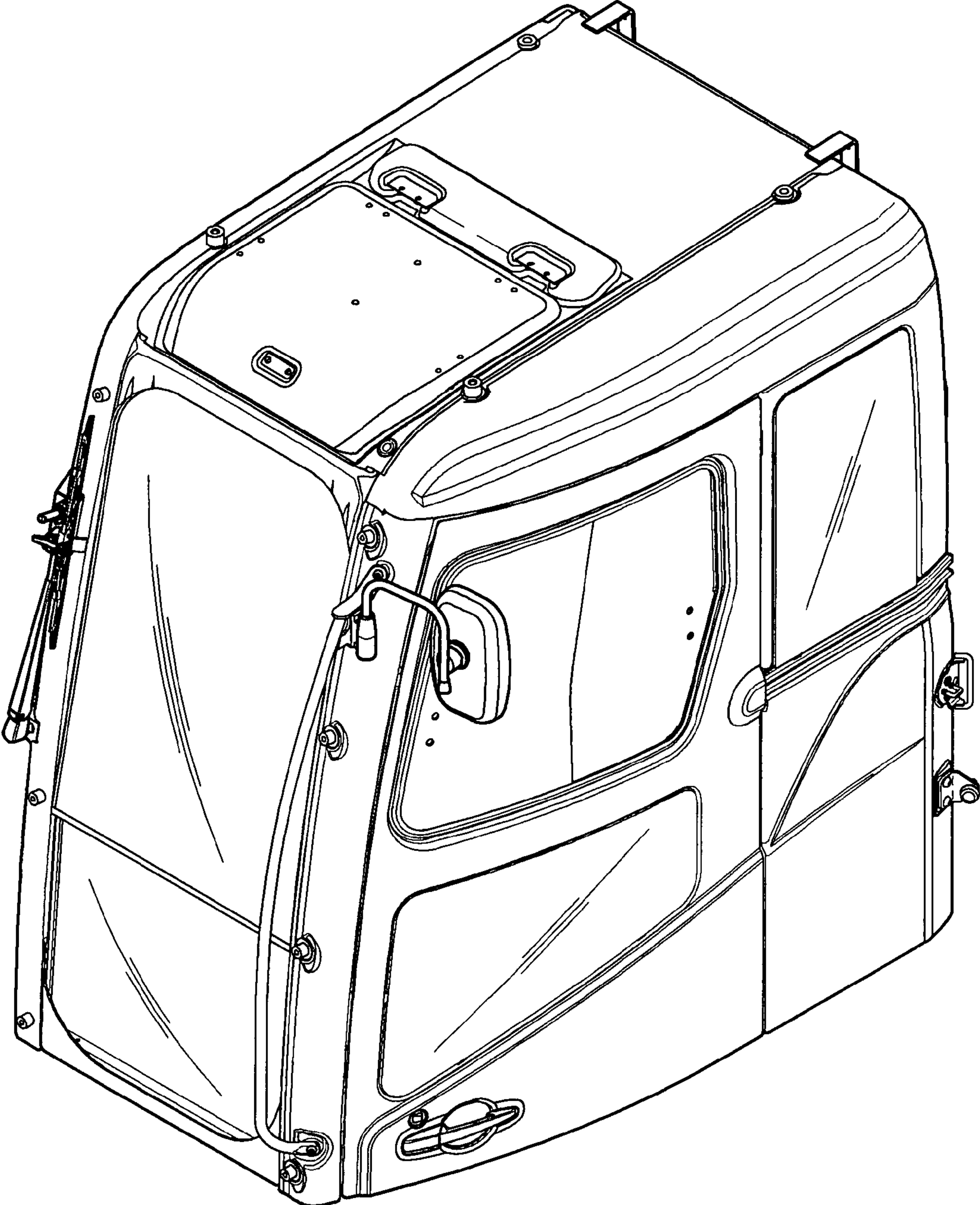


Fig. 2

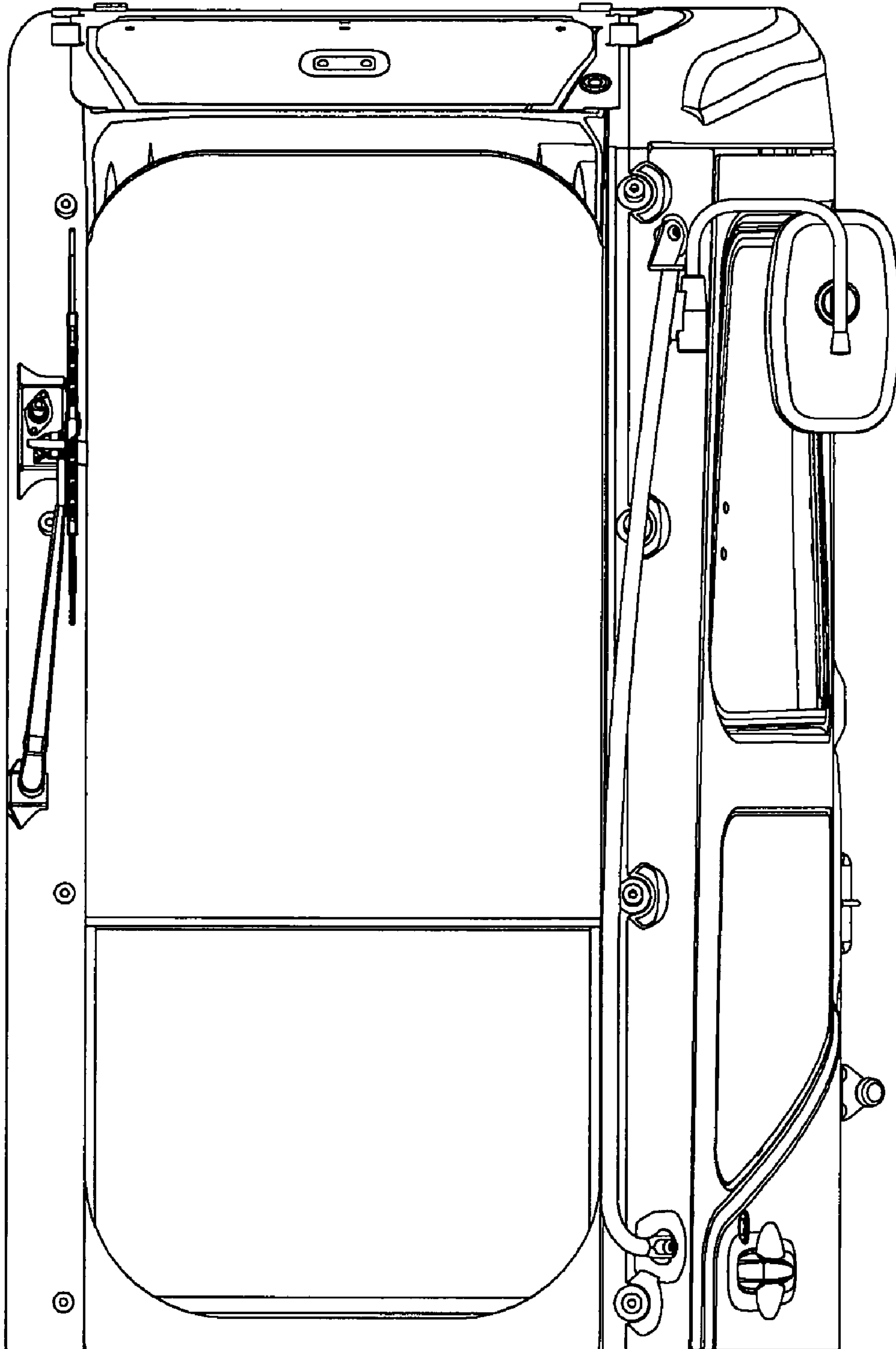


Fig. 3

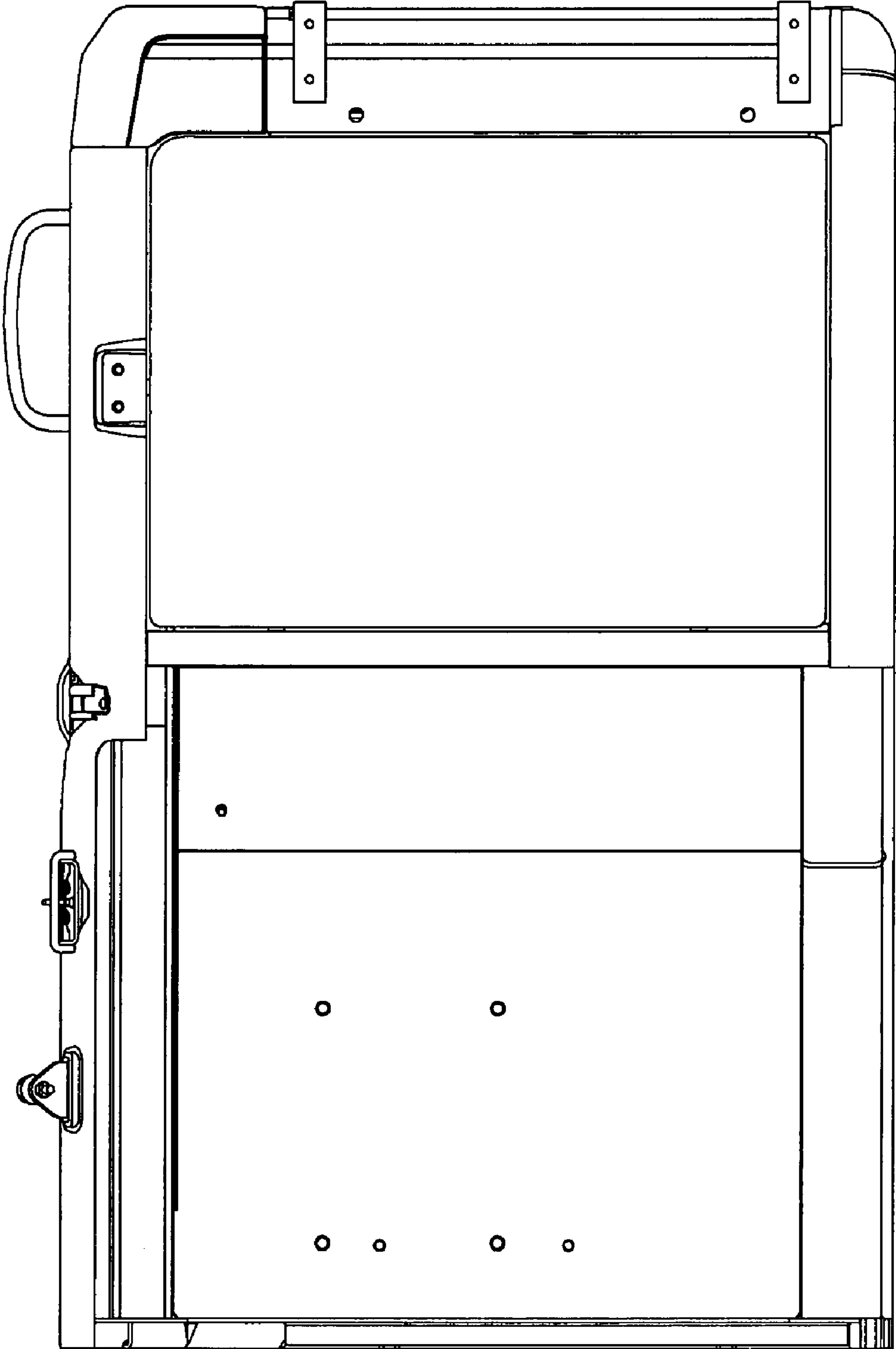


Fig. 4

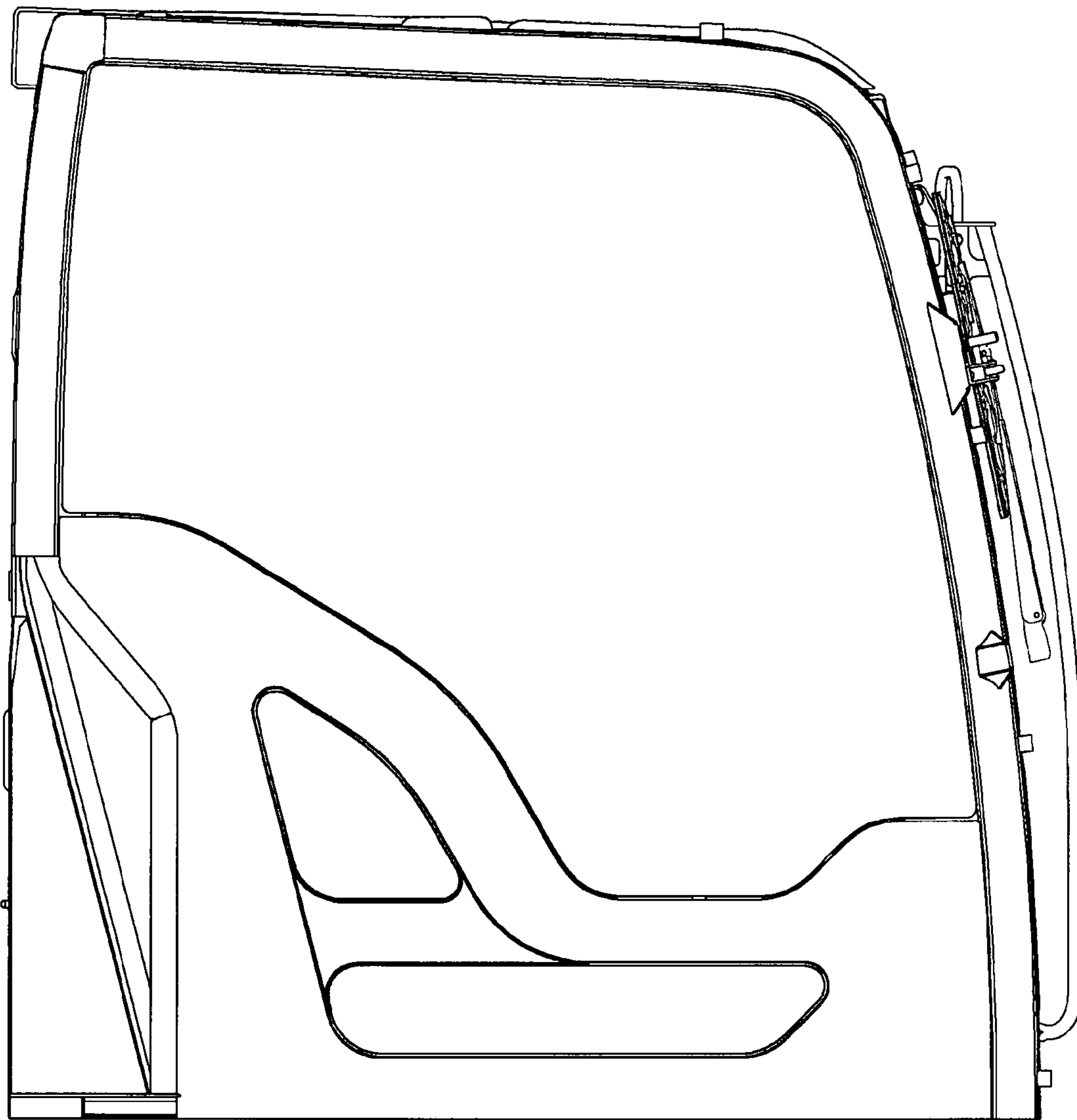


Fig. 5

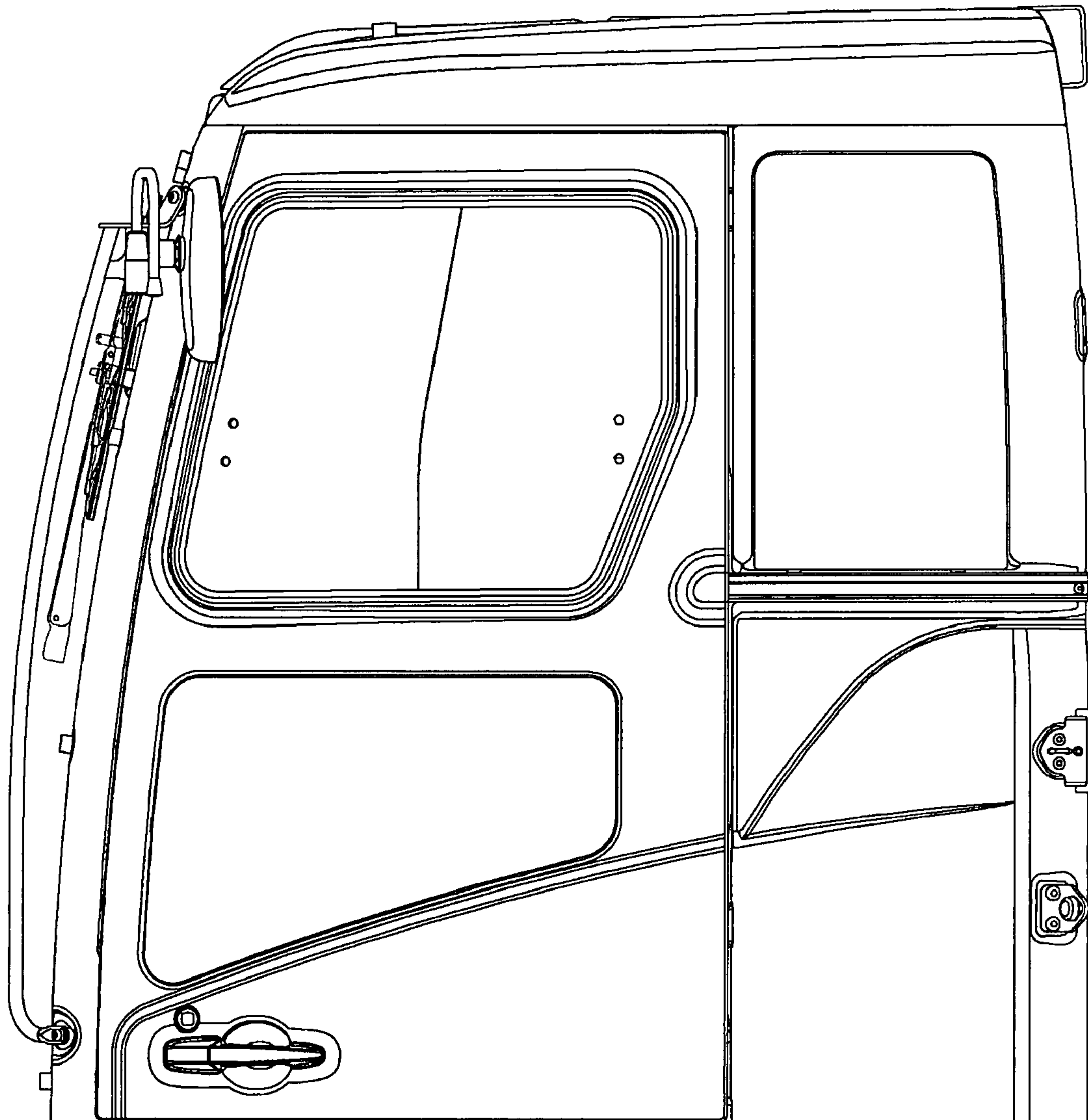


Fig. 6

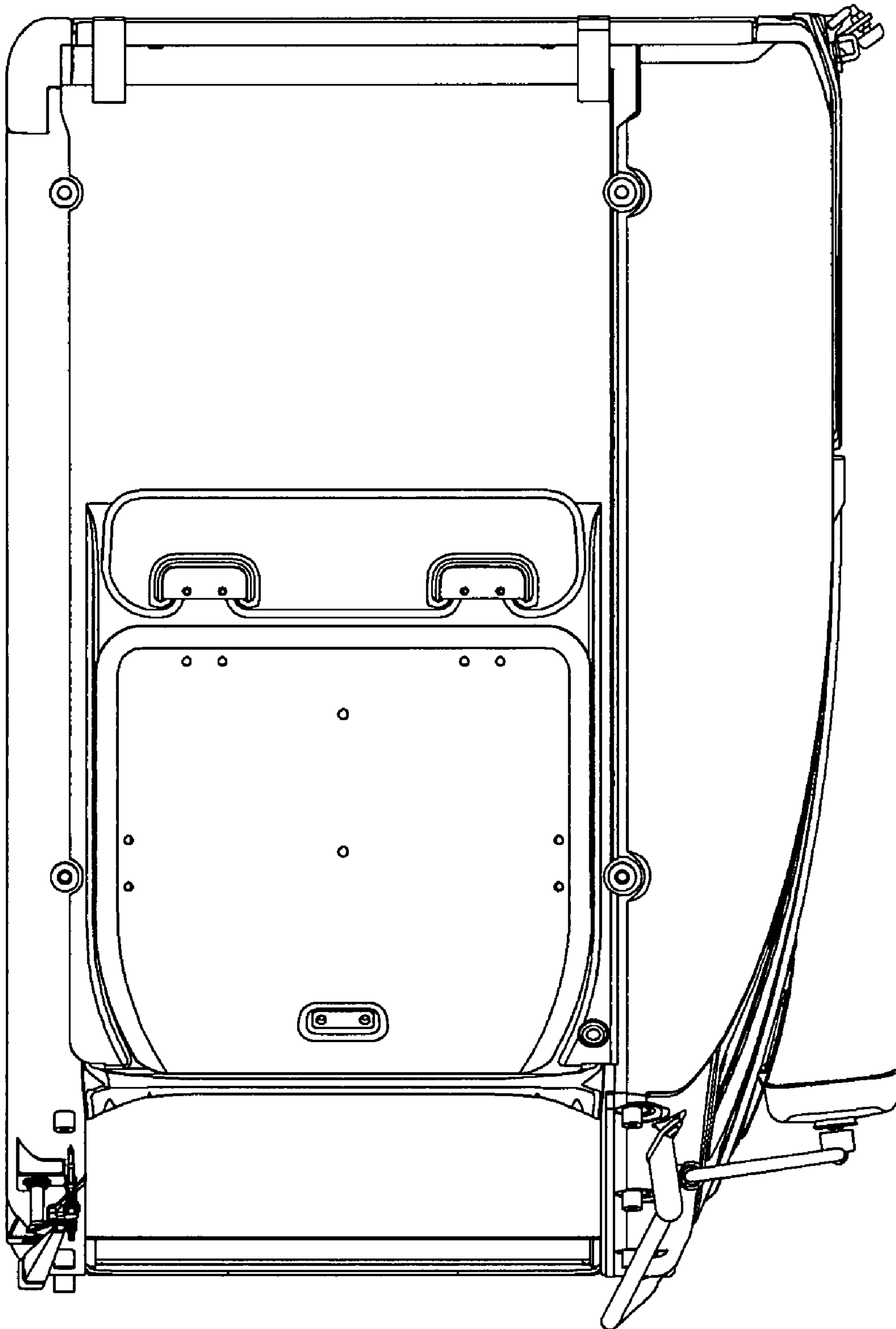


Fig. 7

