

US00D548751S

(12) **United States Design Patent**  
**Snider**

(10) **Patent No.:** **US D548,751 S**

(45) **Date of Patent:** **\*\* Aug. 14, 2007**

(54) **INFLATOR**

D529,926 S \* 10/2006 Krieger et al. .... D15/9

(75) Inventor: **Gregory Scott Snider**, Bel Air, MD  
(US)

\* cited by examiner

*Primary Examiner*—Ralf Seifert

(73) Assignee: **Black & Decker Inc.**, Newark, DE  
(US)

(74) *Attorney, Agent, or Firm*—Wesley W. Muller; Bruce Shapiro

(\*\*) Term: **14 Years**

(57) **CLAIM**

(21) Appl. No.: **29/265,879**

The ornamental design for an inflator, as shown and described.

(22) Filed: **Sep. 11, 2006**

**DESCRIPTION**

(51) **LOC (8) Cl.** ..... **15-02**

FIG. 1 is a perspective view of an inflator according to the present invention;

(52) **U.S. Cl.** ..... **D15/7**

FIG. 2 is a rear perspective view of the inflator of FIG. 1;

(58) **Field of Classification Search** ..... D15/7-9;  
D23/232, 231; 417/359, 415-416, 410.1,  
417/321, 265, 405

FIG. 3 is a left side view of the inflator of FIG. 1;

FIG. 4 is a right side view of the inflator of FIG. 1;

See application file for complete search history.

FIG. 5 is a top view of the inflator of FIG. 1;

FIG. 6 is a bottom view of the inflator of FIG. 1;

(56) **References Cited**

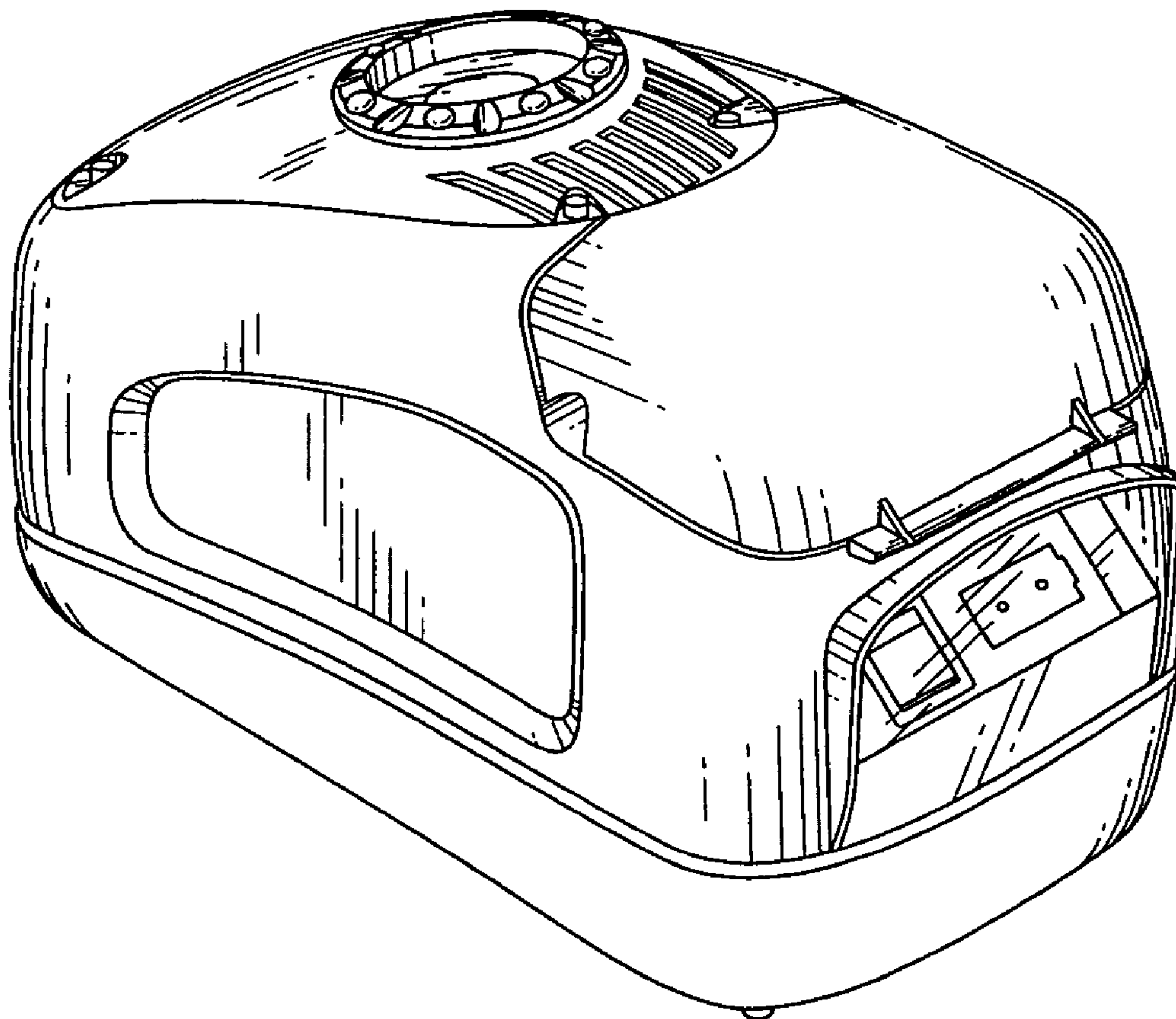
**U.S. PATENT DOCUMENTS**

FIG. 7 is an elevated front view of the inflator of FIG. 1; and,

FIG. 8 is an elevated rear view of the inflator of FIG. 1.

D485,281 S \* 1/2004 Hsiao ..... D15/9  
D499,433 S \* 12/2004 Leasure ..... D15/9  
D522,534 S \* 6/2006 Kawasaki ..... D15/7

**1 Claim, 8 Drawing Sheets**



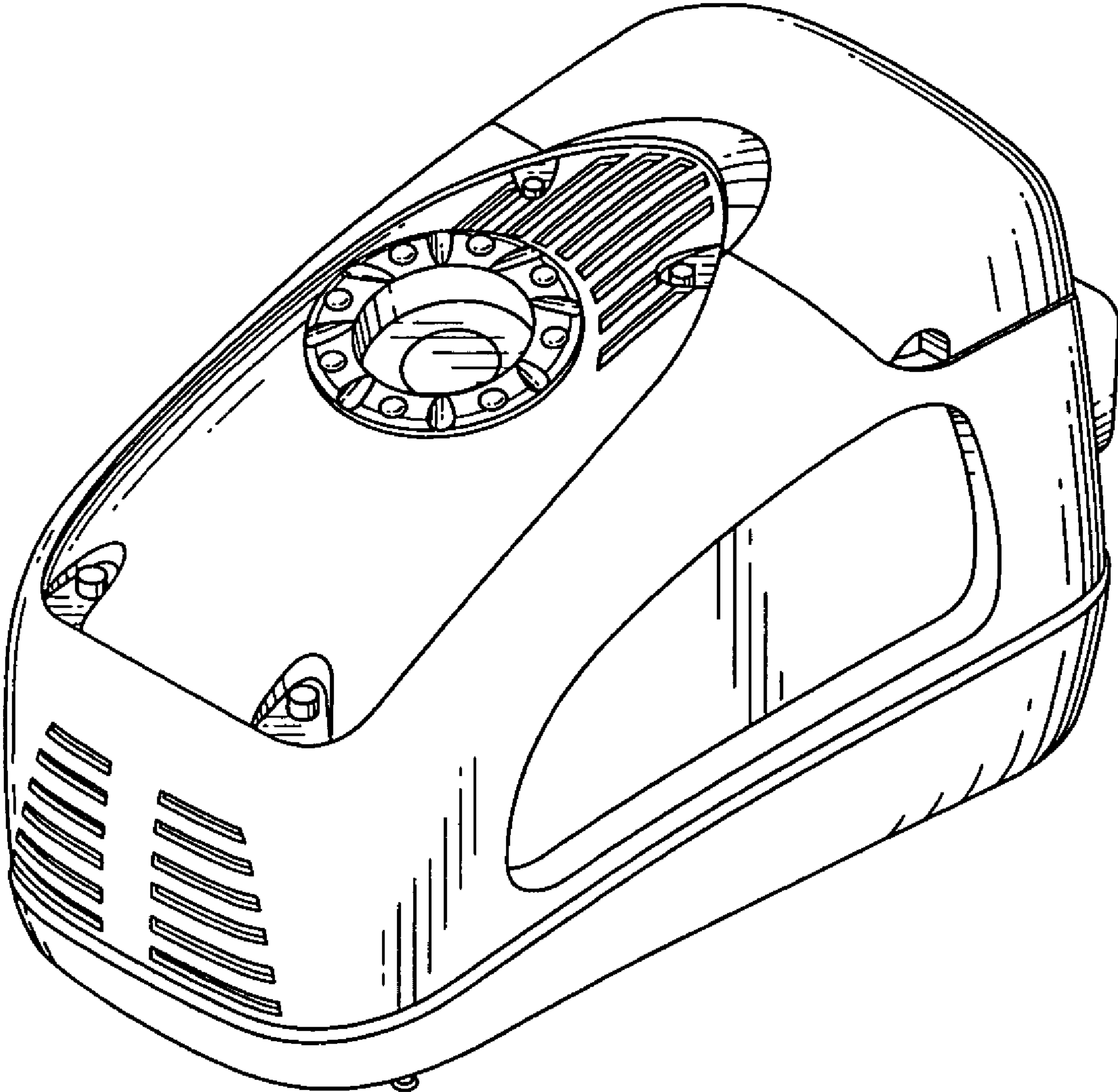


Fig. 1

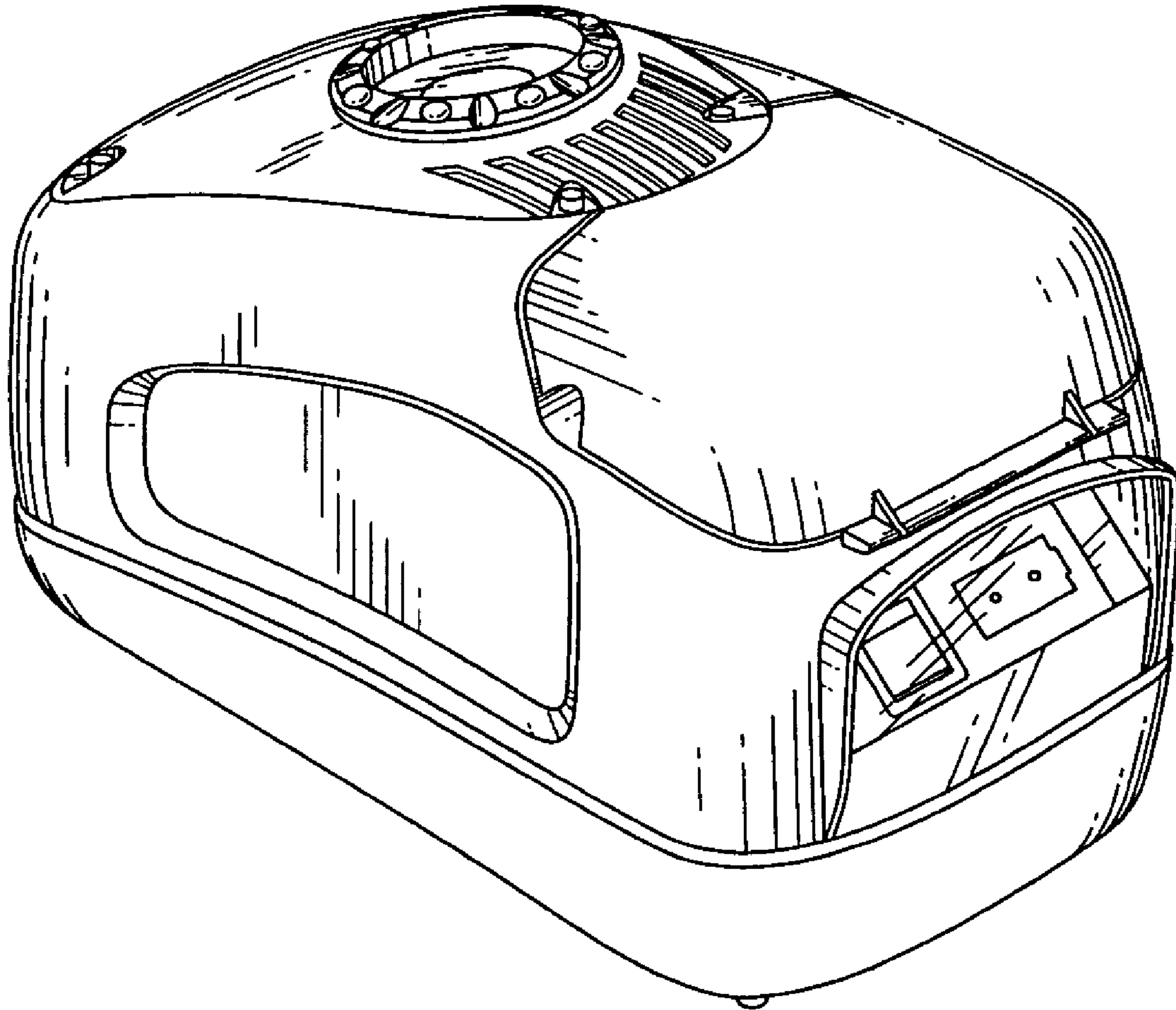


Fig. 2

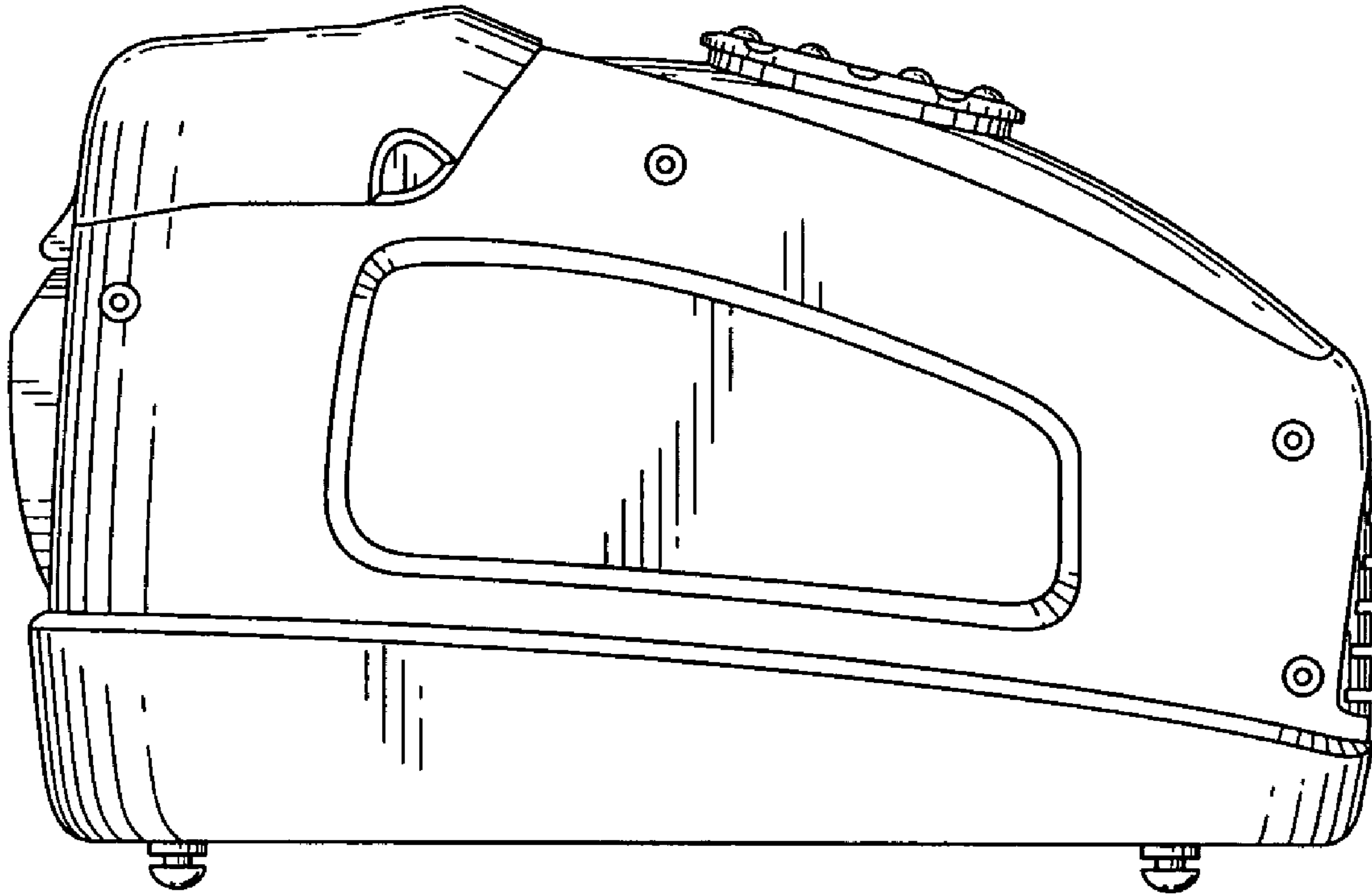


Fig. 3

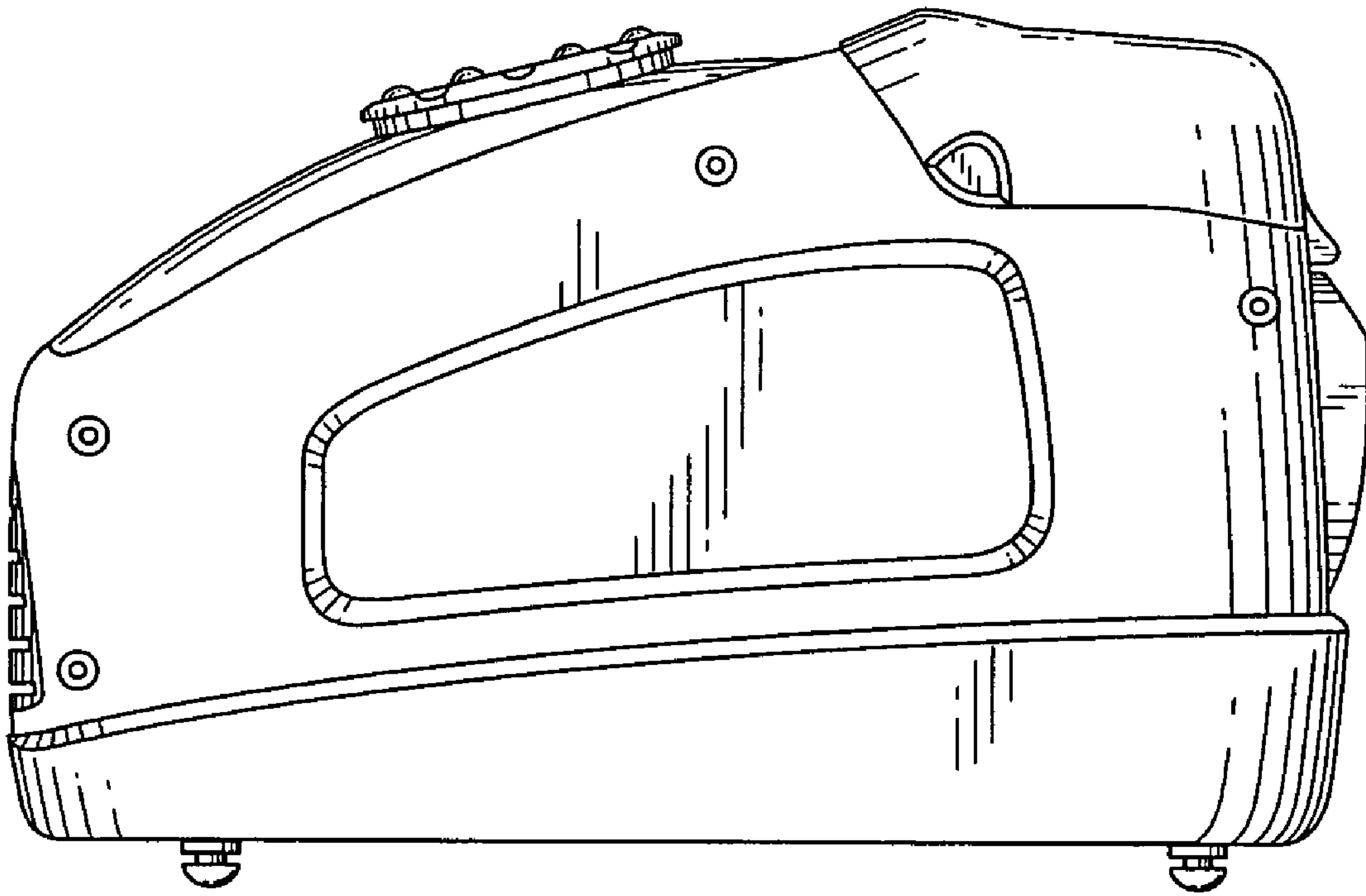


Fig. 4

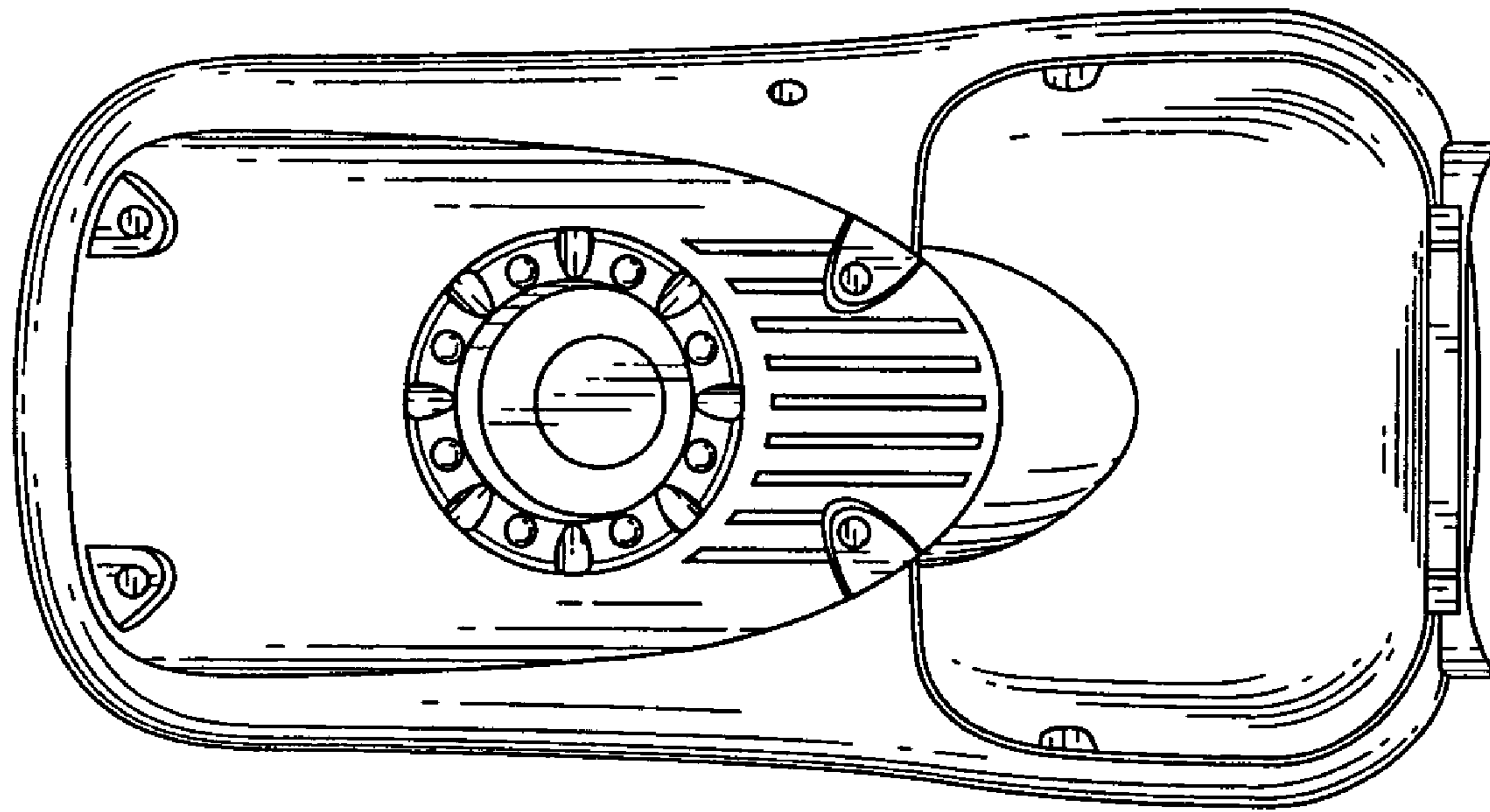


Fig. 5



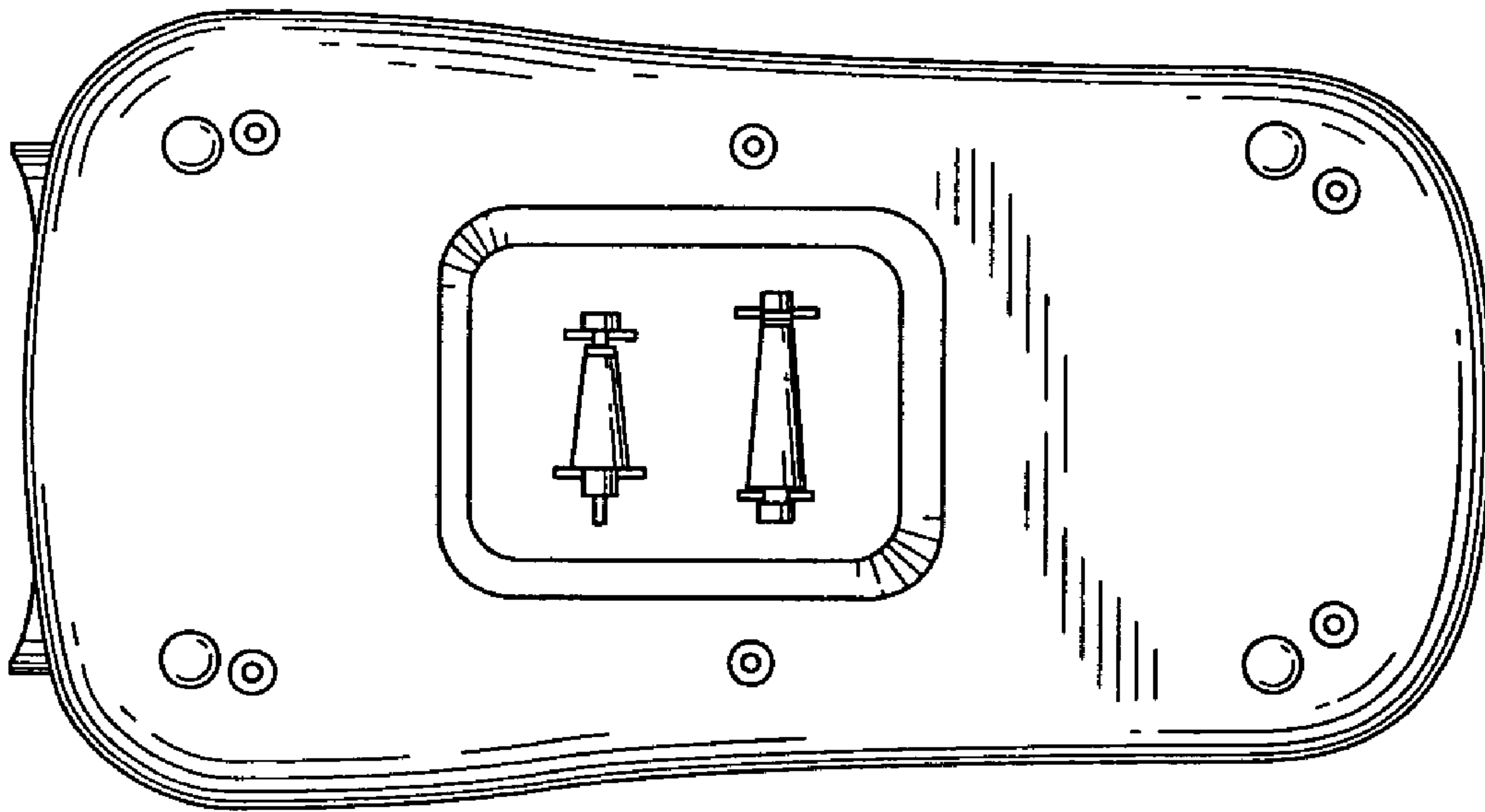


Fig. 6

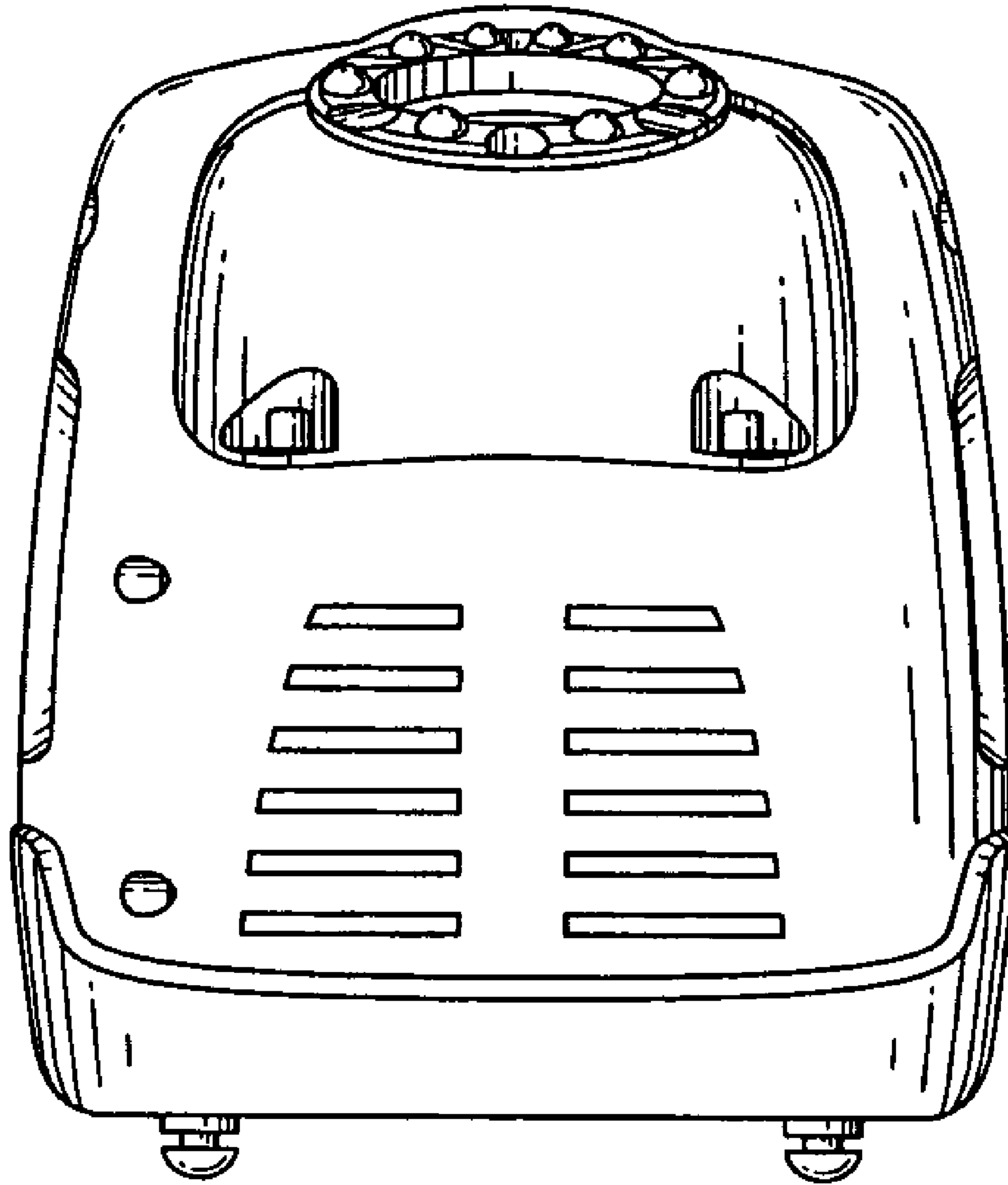


Fig. 7



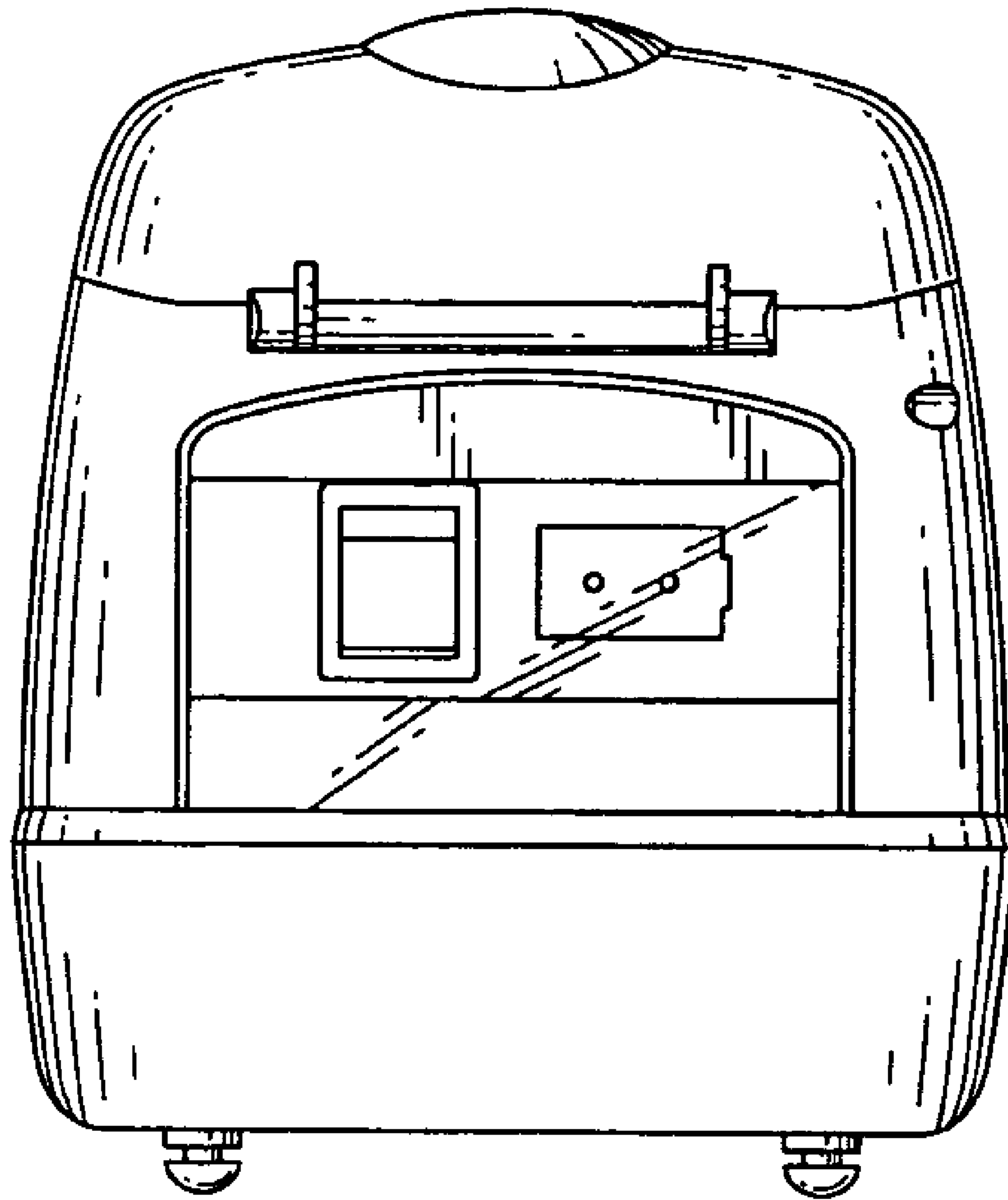


Fig. 8