



US00D548750S

(12) **United States Design Patent** (10) **Patent No.:** **US D548,750 S**
Neeley et al. (45) **Date of Patent:** **** Aug. 14, 2007**

(54) **ENGINE COVER**

(75) Inventors: **Brian D. Neeley**, West Bend, WI (US);
Robert W. Holliday, Oshkosh, WI
(US); **Scott A. Sparapani**, Brown Deer,
WI (US)

(73) Assignee: **Briggs and Stratton Corporation**,
Wauwatosa, WI (US)

(**) Term: **14 Years**

(21) Appl. No.: **29/254,412**

(22) Filed: **Feb. 23, 2006**

(51) **LOC (8) Cl.** **15-01**

(52) **U.S. Cl.** **D15/5**

(58) **Field of Classification Search** D15/1-5,
D15/14-17, 149; D12/163-166; D13/112,
D13/184, 199; D34/15; 46/39, 78, 249;
56/320.1, 320.2; 74/606 R; 123/41, 41.7,
123/50 A, 50 B, 50 R, 56, 65 R, 70 R, 156 BA,
123/195.3, 198 E, 306, 308, 661, 667

See application file for complete search history.

(56) **References Cited**

U.S. PATENT DOCUMENTS

D397,342 S * 8/1998 Shimizu D15/5
D484,889 S * 1/2004 Neeley et al. D15/1
D522,533 S * 6/2006 Diulio D15/5
D525,991 S * 8/2006 Walters D15/5
D527,022 S * 8/2006 Walters D15/5
D527,741 S * 9/2006 Vervoorn D15/5

OTHER PUBLICATIONS

KAWASAKI, Four-Cycle Engines, Kawasaki FJ180V, website,
http://www.kawpowr.com/4cycle/fj180v_specs.html, 1 page, Feb.
2, 2005.

KAWASAKI, Four-Cycle Engines, Kawasaki FC290v, website,
http://www.kawpowr.com/4cycle/fc290v_specs.html, 1 page, Feb.
2, 2005.

KAWASAKI, Four-Cycle Engines, Kawasaki FH721D, website,
http://www.kawpowr.com/4cycle/fh721d_specs.html, 1 page, Feb.
2, 2005.

KAWASAKI, Four-Cycle Engines, Kawasaki FH601D, website,
http://www.kawpowr.com/4cycle/fh601d_specs.html, 1 page, Feb.
2, 2005.

(Continued)

Primary Examiner—Antoine D. Davis

Assistant Examiner—Patricia Palasik

(74) *Attorney, Agent, or Firm*—Michael Best & Friedrich
LLP

(57) **CLAIM**

We claim the ornamental appearance of the engine cover,
illustrated in FIGS. 1-7.

DESCRIPTION

FIG. 1 is a perspective view of an engine cover according to
an embodiment of the present invention;

FIG. 2 is a top view of the engine cover of FIG. 1;

FIG. 3 is a front view of the engine cover of FIG. 1;

FIG. 4 is a rear view the engine cover of FIG. 1;

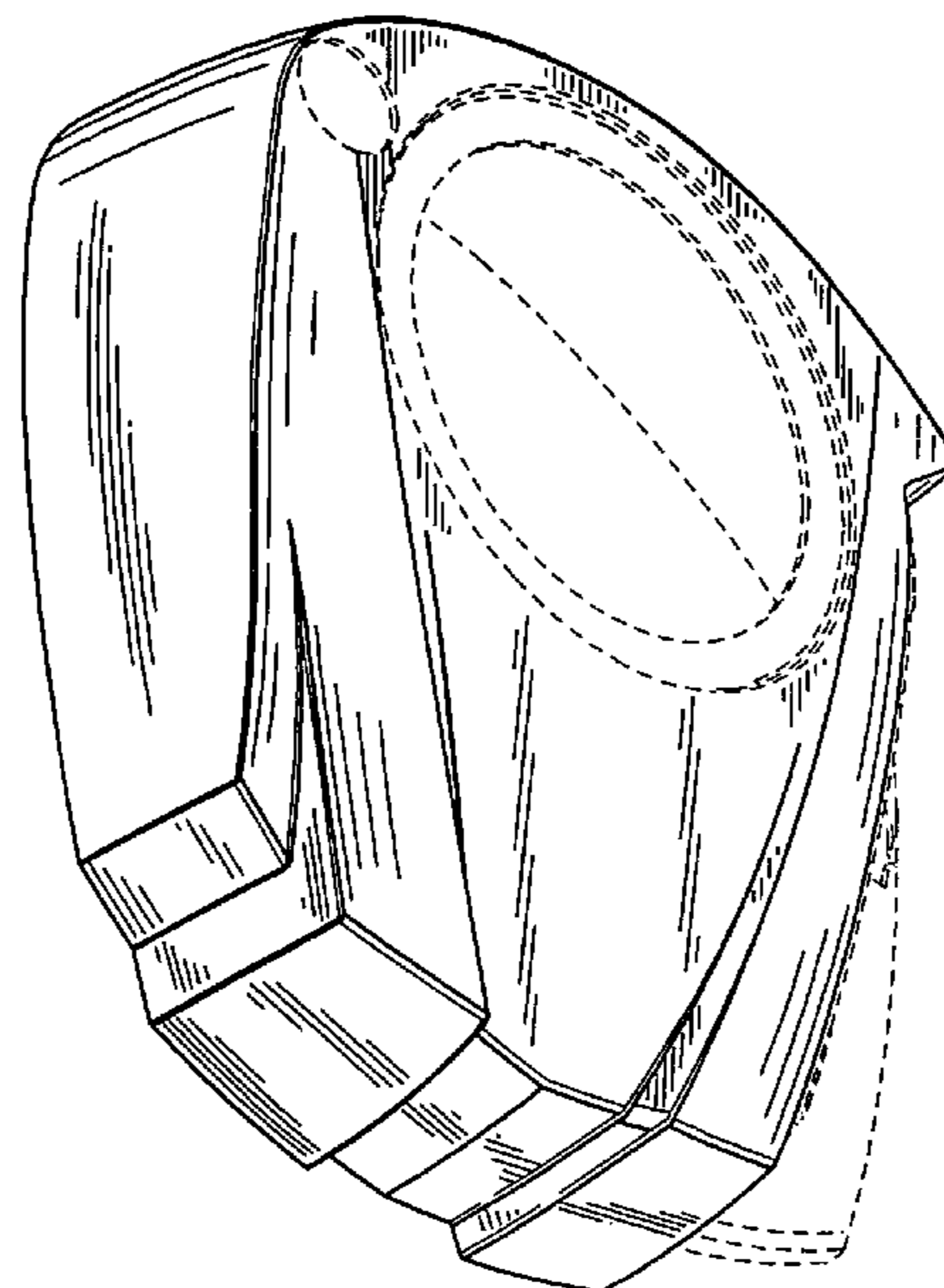
FIG. 5 is a left side view the engine cover of FIG. 1;

FIG. 6 is a right side view the engine cover of FIG. 1; and,

FIG. 7 is a bottom view the engine cover of FIG. 1.

The broken line features are for illustrative purposes only
and form no part of the claimed design.

1 Claim, 4 Drawing Sheets



OTHER PUBLICATIONS

KAWASAKI, Four-Cycle Engines Kawasaki FH601V, website, http://www.kawpowr.com/4cycle/fh601v_specs.html, 1 page, Feb. 2, 2005.

KAWASAKI, Four-Cycle Engines, Kawasaki FH500V, website, http://www.kawpowr.com/4cycle/fh500v_specs.html, 1 page, Feb. 2, 2005.

KAWASAKI, Four-Cycle Engines, Kawasaki FC150V, website, http://www.kawpowr.com/4cycle/fc150v_specs.html, 1 page, Feb. 2, 2005.

KAWASAKI, Four-Cycle Engines, Kawasaki FH721V, website, http://www.kawpowr.com/4cycle/fh721v_specs.html, 1 page, Feb. 2, 2005.

Tecumseh Power Company; Walk-Behind Engines & Transmissions Horsepower Range: 3.5-7.0, website <http://www.tecumsehpower.com/Products/WalkBehind/index.php>, 1 page, Feb. 2, 2005.

Kohler Co. Engine Division; Kohler Engines Born to Run Owner's Manual, Command 11-16 HP Vertical Crankshaft; cover sheet, Revised Sep. 1999, Kohler Co. Engine Division, Kohler, Wisconsin, USA.

Kohler Co. Engine Division; Kohler Engines Born to Run Owner's Manual, Command 18-26 HP Horizontal Crankshaft; cover sheet, Revised May 1999, Kohler Co. Engine Division, Kohler, Wisconsin, USA.

Kohler Co. Engine Division; Kohler Engines Born to Run Owner's Manual, Command 11-15 HP Horizontal Crankshaft; cover sheet, Revised Apr. 1999, Kohler Co. Engine Division, Kohler, Wisconsin, USA.

Kohler Co. Engine Division; Kohler Engines Born to Run Owner's Manual, Magnum 8,12,16 HP Horizontal Crankshaft; cover sheet, Revised Dec. 2001, Kohler Co. Engine Division, Kohler, Wisconsin, USA.

Kohler Co. Engine Division; Kohler Engines Service Manual, Courage Series SV470-600 Vertical Crankshaft; website http://www.kohlerengines.com/onlinecatalog/detail.jsp?prod_num=Hydro+13, cover sheet, Feb. 2, 2005, Kohler Co. Engine Division, Kohler, Wisconsin, USA.

Kohler Co. Engine Division; Kohler Engines Kohler Triad OHC; website http://www.kohlerengines.com/onlinecatalog/enginefamily.jsp?engine_family_name=Triad+OHC, cover sheet, Feb. 2, 2005, Kohler Co. Engine Division, Kohler, Wisconsin, USA.

Kohler Co. Engine Division; Kohler Engines Kohler Triad OHC; website http://www.kohlerengines.com/onlinecatalog/enginefamily.jsp?engine_family_name=Triad+OHC, cover sheet, Feb. 2, 2005, Kohler Co. Engine Division, Kohler, Wisconsin, USA.

Honda Engines, Honda GC Series Engines, brochure, 2003, 10 pages, American Honda Motor Co, Inc.

Briggs & Stratton, 04 Engine Guide; brochure; 2003; 58 pages; Briggs & Stratton, Wauwatosa, Wisconsin USA.

* cited by examiner

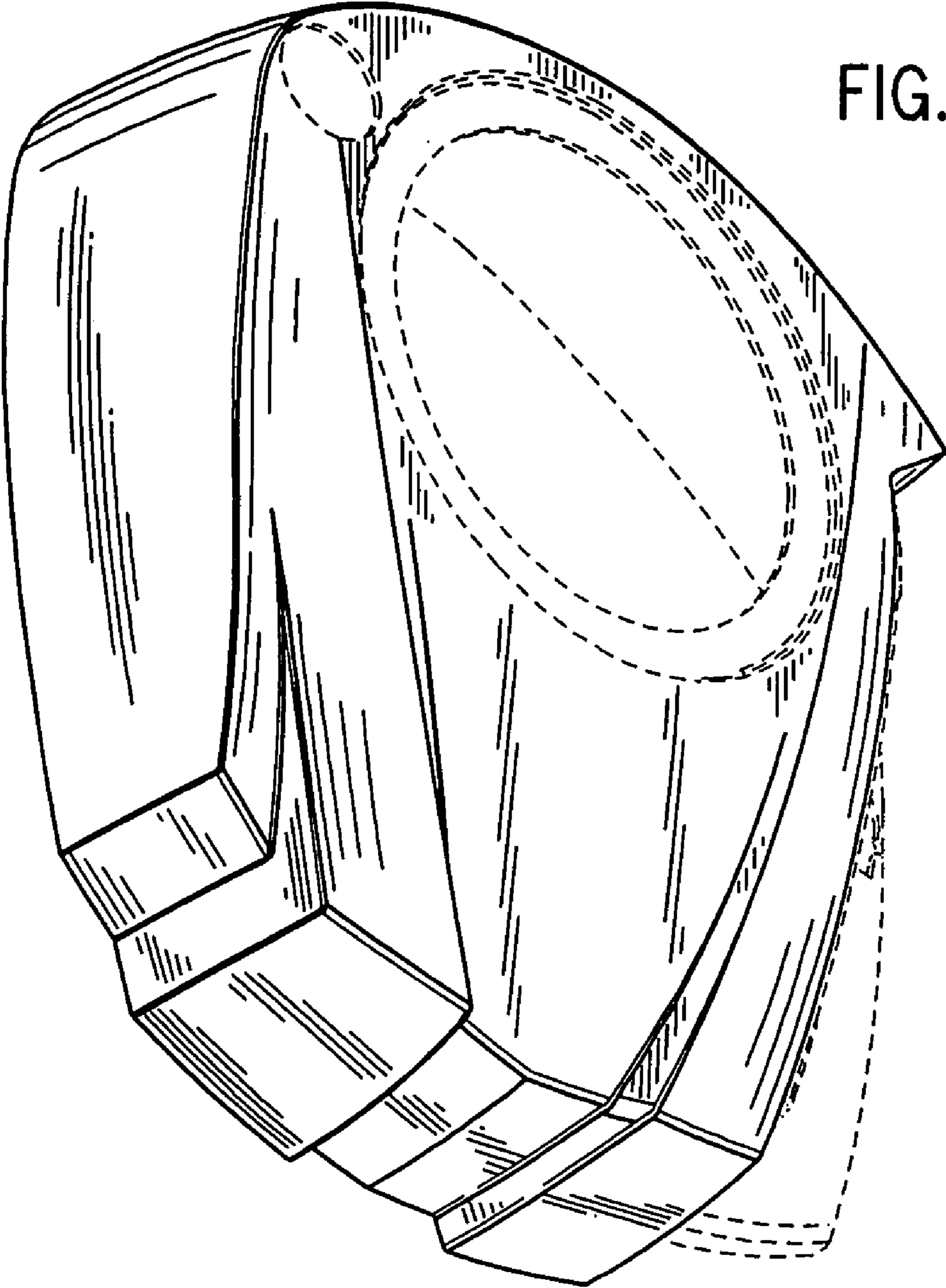


FIG. 1

FIG. 2

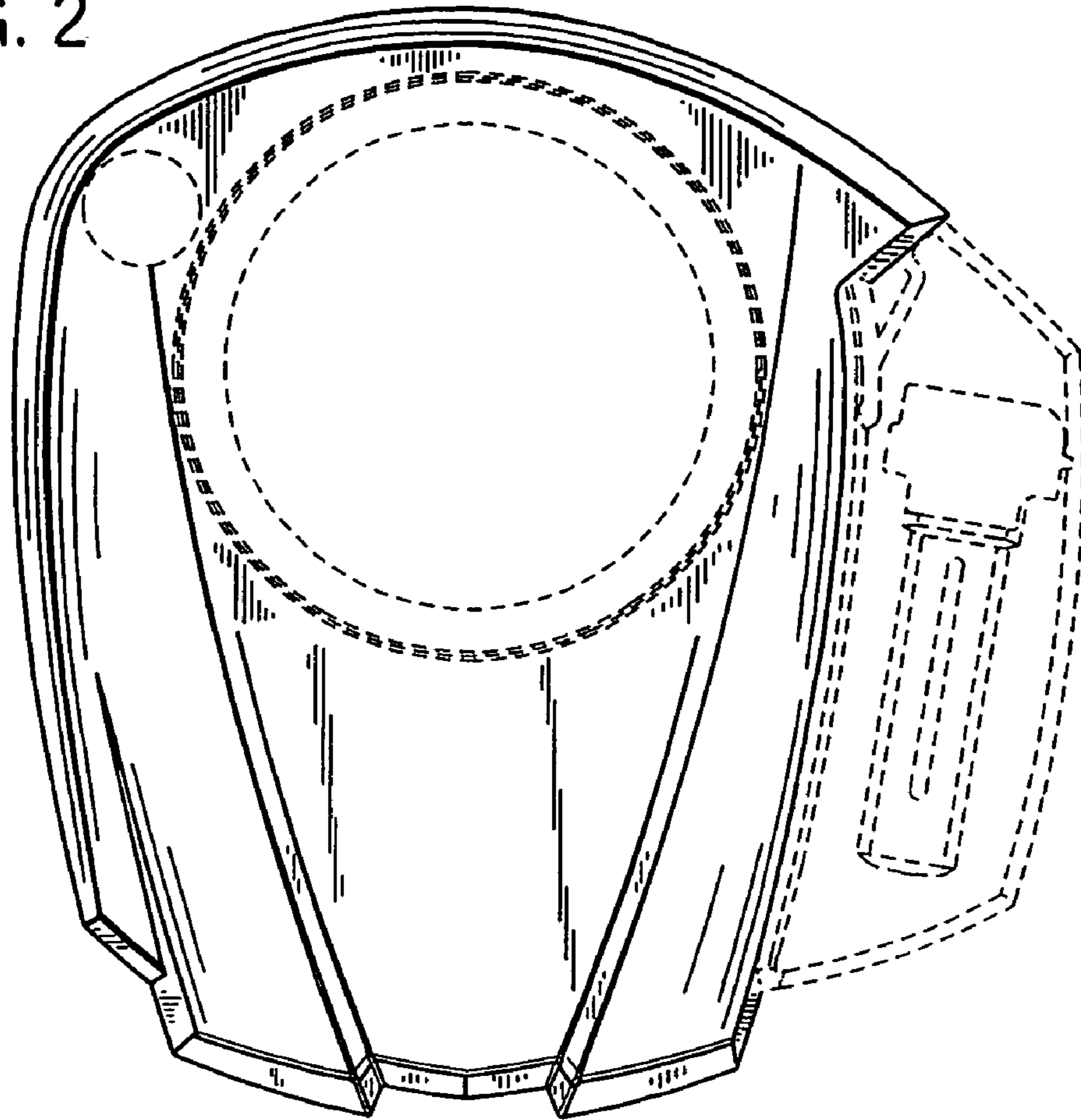


FIG. 3

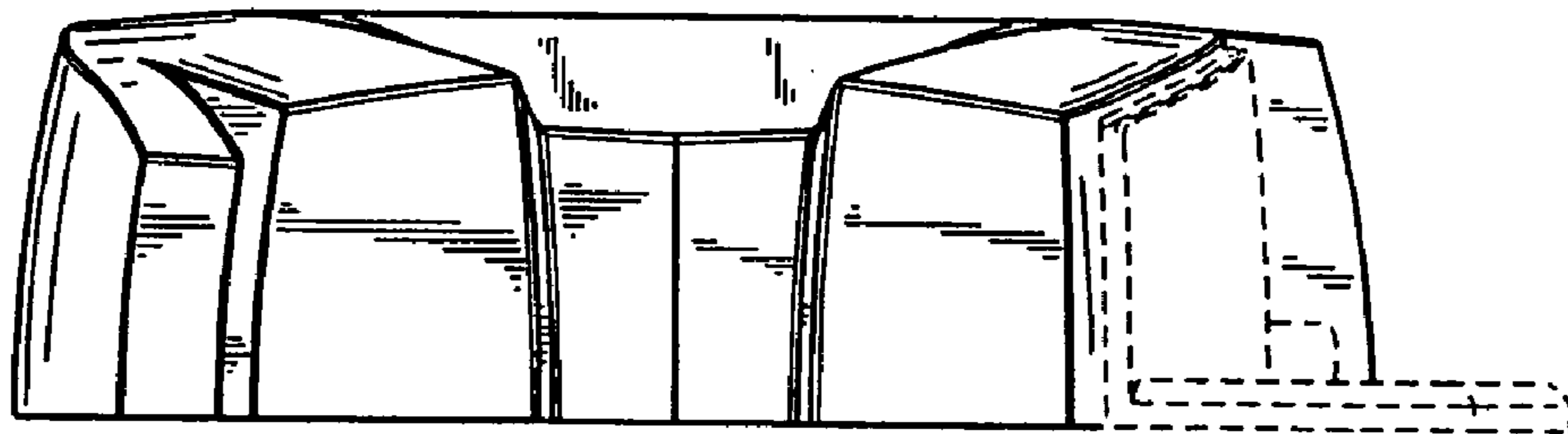
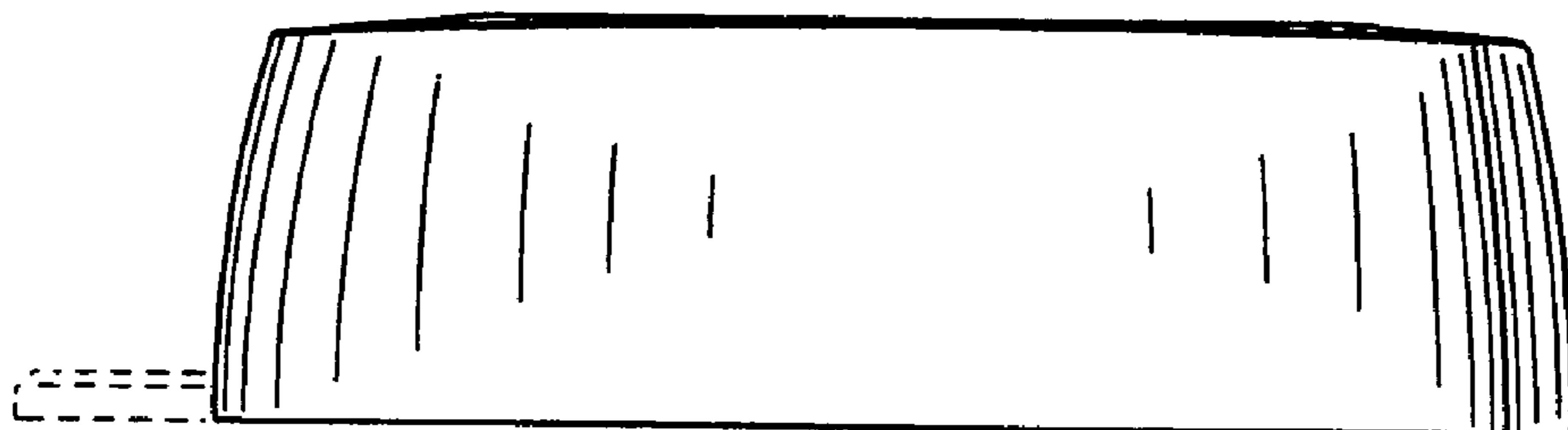


FIG. 4



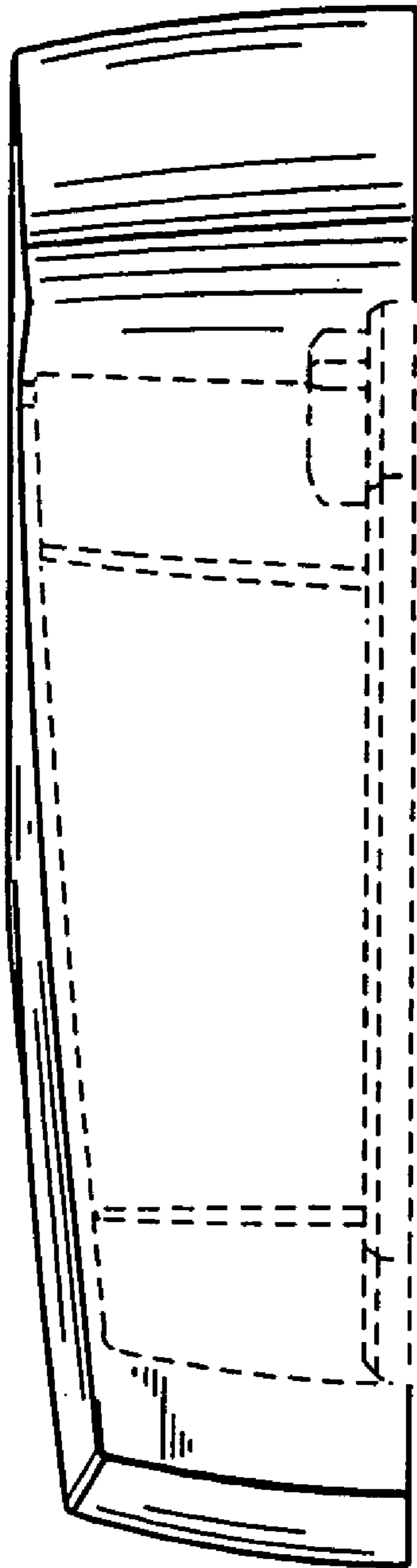


FIG. 5

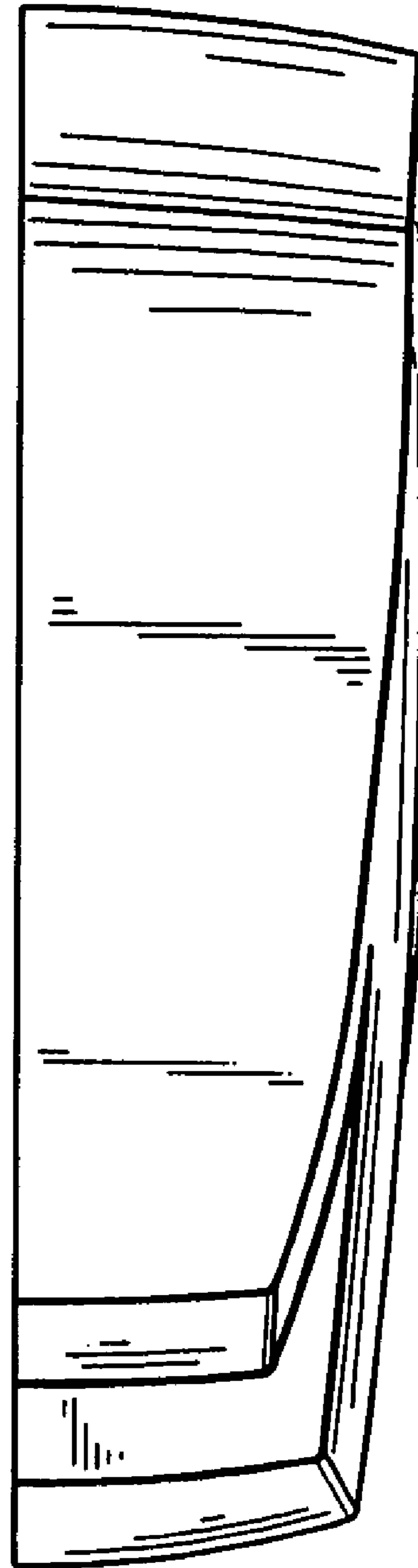


FIG. 6

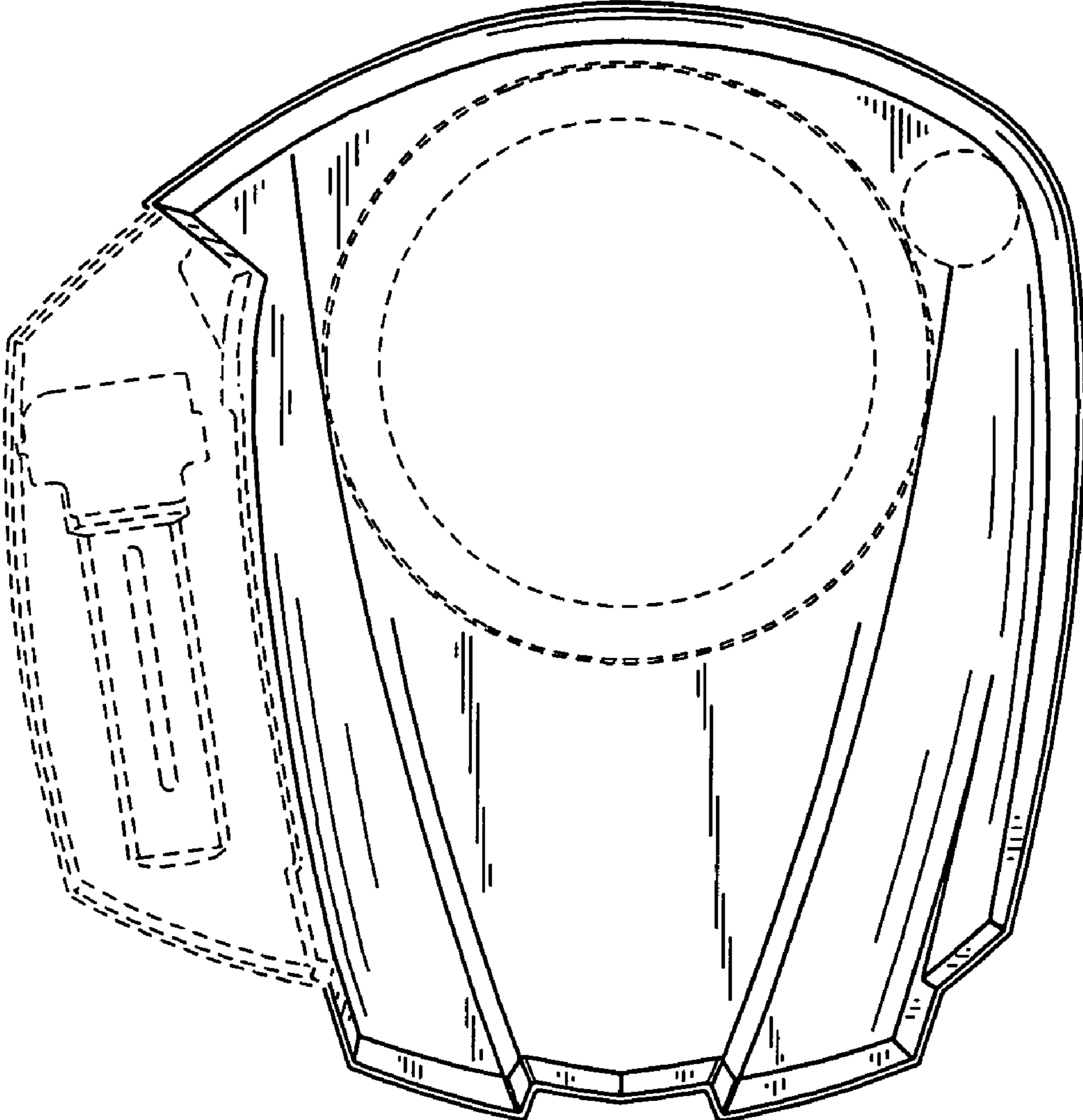


FIG. 7