

US00D548748S

(12) **United States Design Patent**  
**Ahn**

(10) **Patent No.:** **US D548,748 S**

(45) **Date of Patent:** **\*\* Aug. 14, 2007**

(54) **MP3 PLAYER**

(75) Inventor: **Hyun Tae Ahn**, Incheon (KR)

(73) Assignee: **LG Electronics Inc.**, Seoul (KR)

(\*\*) Term: **14 Years**

(21) Appl. No.: **29/261,670**

(22) Filed: **Jun. 19, 2006**

(30) **Foreign Application Priority Data**

Dec. 20, 2005 (KR) ..... 30-2005-0043073

(51) **LOC (8) Cl.** ..... **14-03**

(52) **U.S. Cl.** ..... **D14/496; D14/156**

(58) **Field of Classification Search** ..... D14/496,  
D14/401, 435, 474, 483, 217, 137, 138, 160,  
D14/168; 345/156, 169, 173-179, 905; 715/727-729,  
715/864; 455/11.1, 773, 344-347, 93, 95;  
370/342-344; 369/1, 2, 6, 12; 463/43-47;  
273/148 B

See application file for complete search history.

(56) **References Cited**

**U.S. PATENT DOCUMENTS**

6,669,092 B2 \* 12/2003 Leanheart et al. .... 235/462.13  
D488,456 S \* 4/2004 Isshiki ..... D14/156  
D491,902 S \* 6/2004 Chen ..... D14/126

D493,157 S \* 7/2004 Yang ..... D14/156  
D494,562 S \* 8/2004 Lee ..... D14/156  
D503,409 S \* 3/2005 Wong et al. .... D14/496  
6,873,862 B2 \* 3/2005 Reshefsky ..... 455/569.1  
D513,617 S \* 1/2006 Tierney ..... D14/496  
D535,664 S \* 1/2007 Katayama ..... D14/496

\* cited by examiner

*Primary Examiner*—Prabhakar Deshmukh

(74) *Attorney, Agent, or Firm*—Birch, Stewart, Kolasch & Birch LLP

(57) **CLAIM**

The ornamental design for a MP3 player, as shown and described.

**DESCRIPTION**

FIG. 1 is a front, right perspective view of the MP3 player showing my new design;

FIG. 2 is a front view thereof;

FIG. 3 is a rear view thereof;

FIG. 4 is a left side view thereof, the right side view being a mirror image thereof;

FIG. 5 is a top view thereof; and,

FIG. 6 is a bottom view thereof.

**1 Claim, 5 Drawing Sheets**

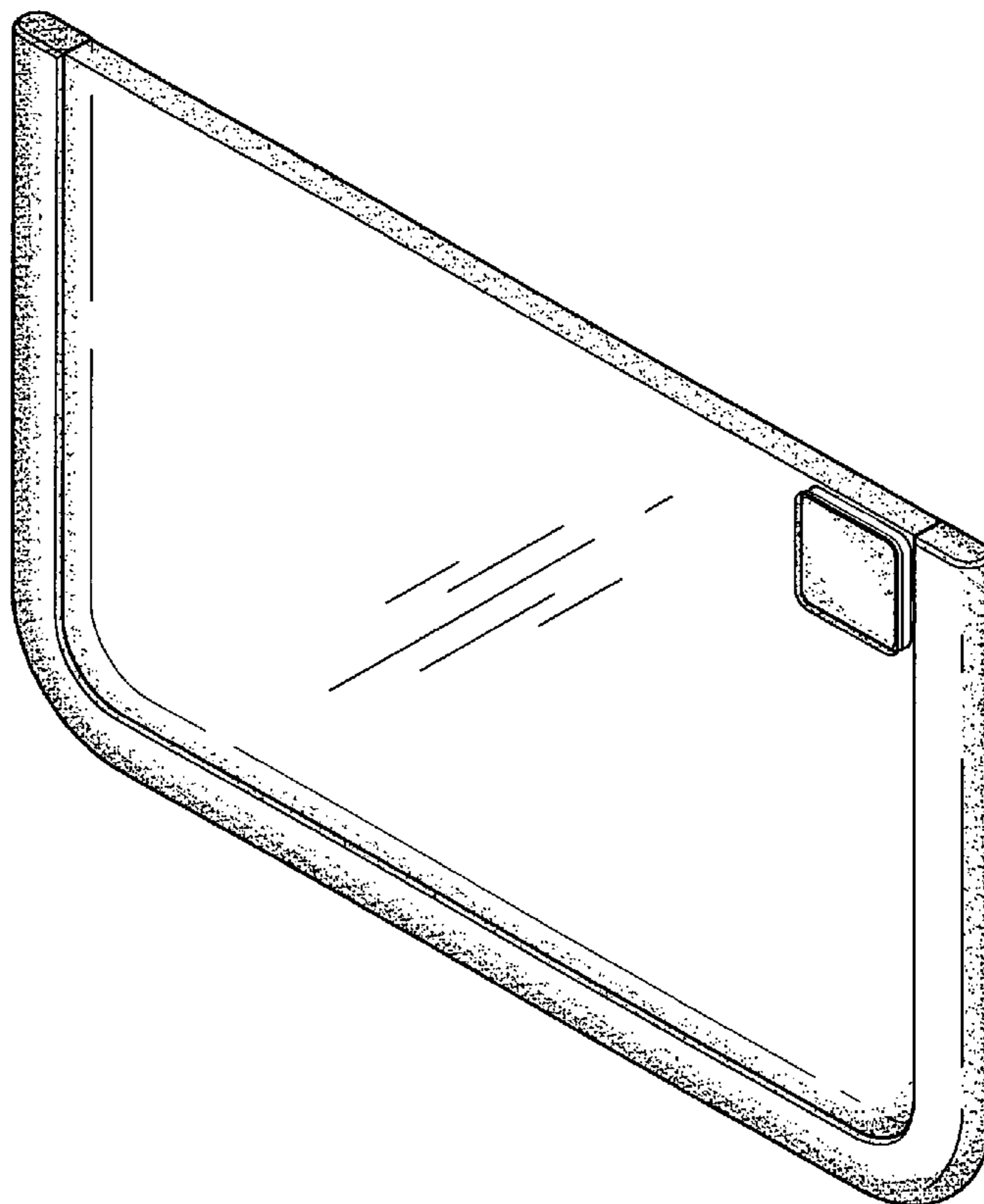


FIG. 1

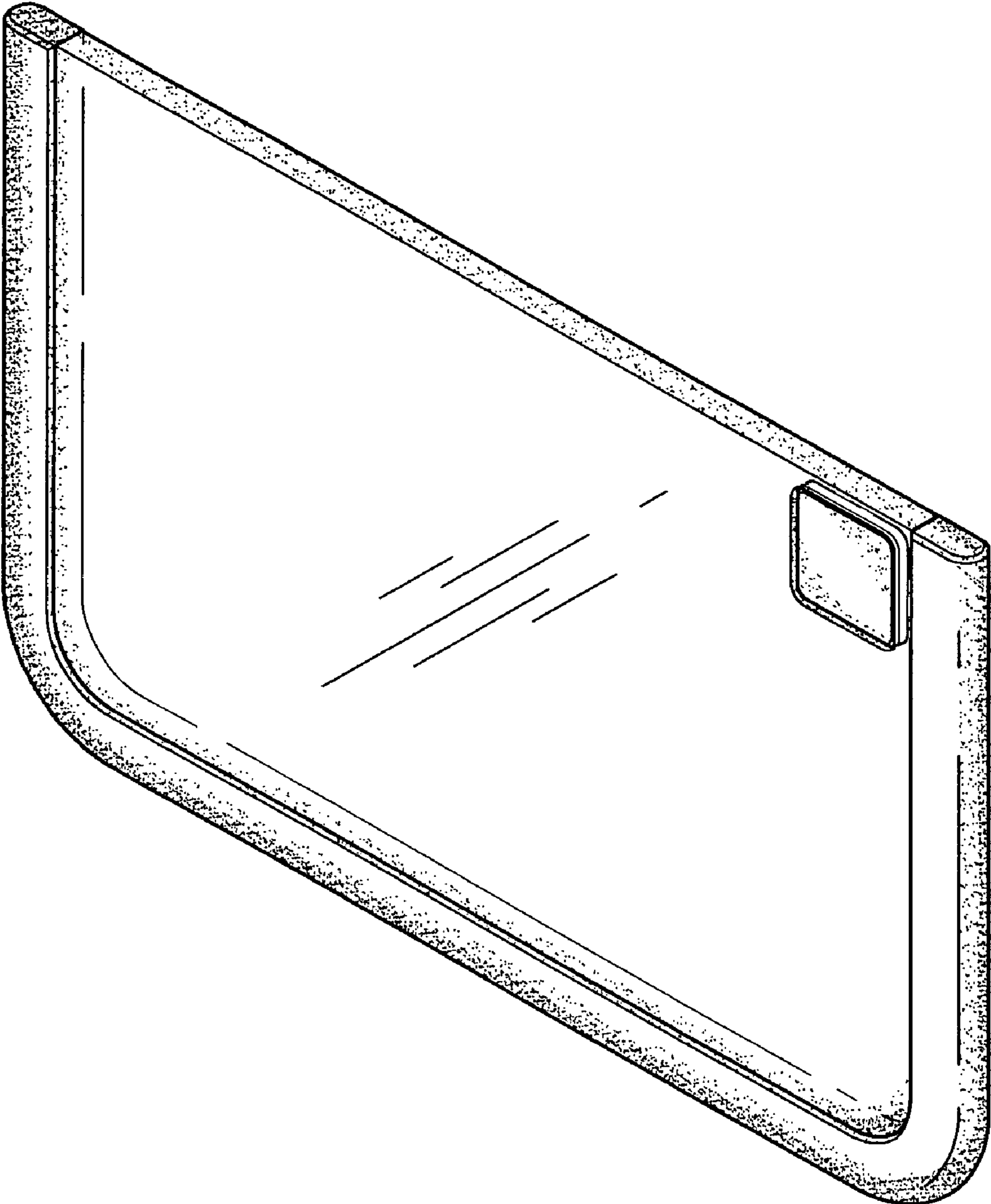


FIG. 2

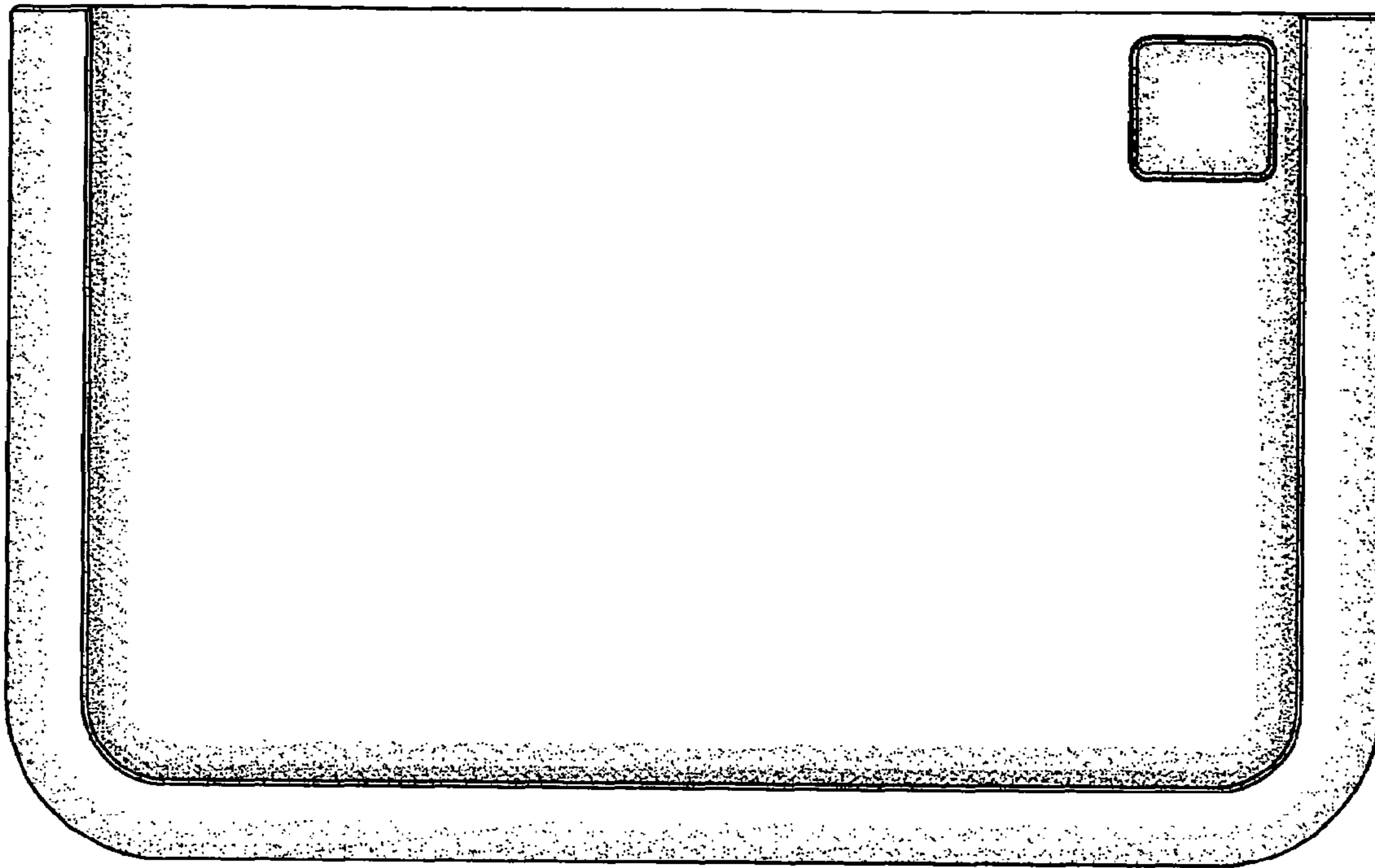


FIG. 3

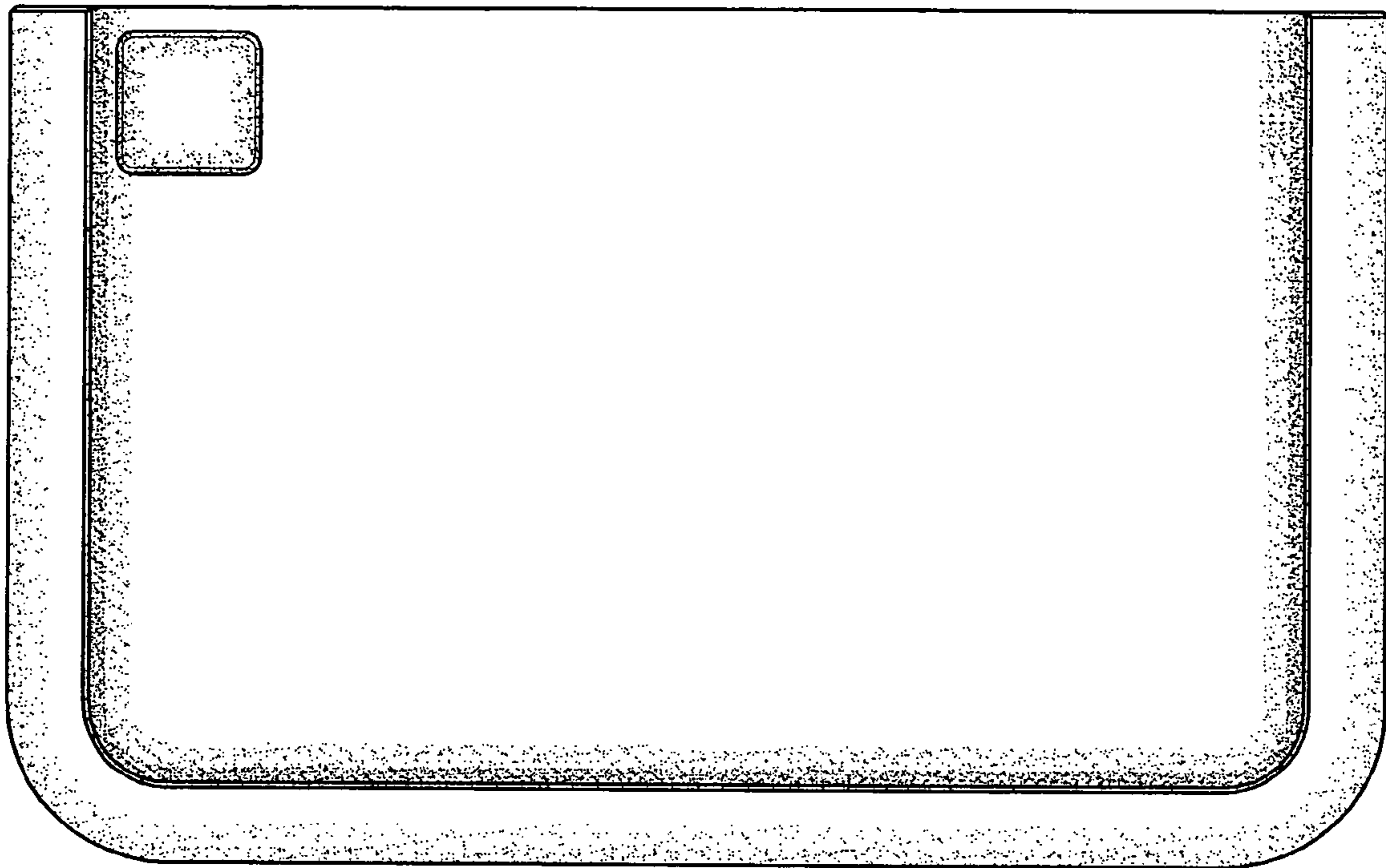


FIG. 4

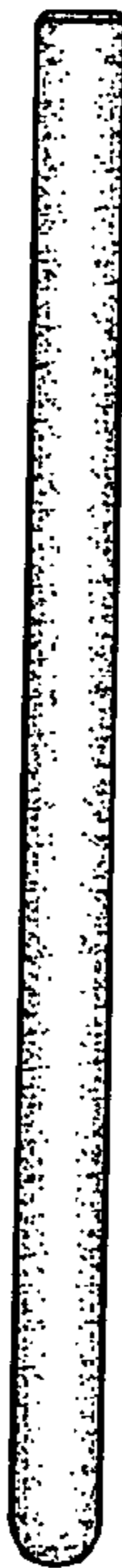
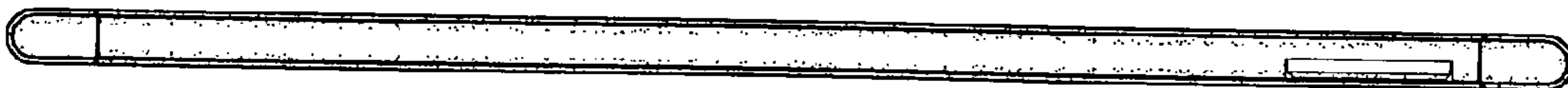


FIG. 5



**FIG. 6**

